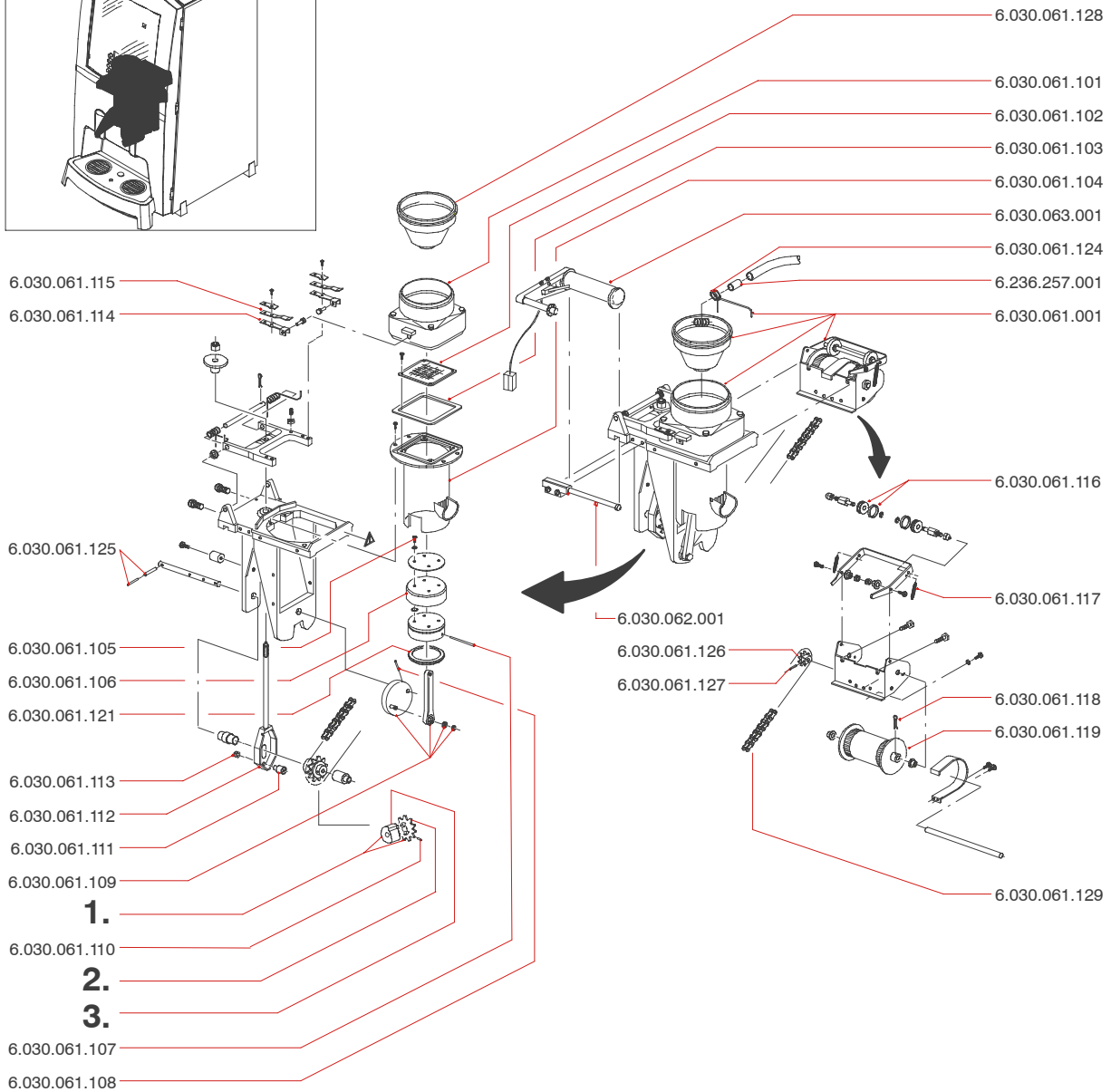
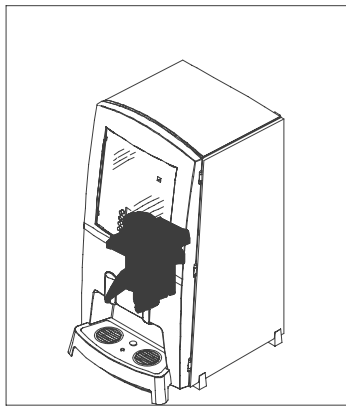
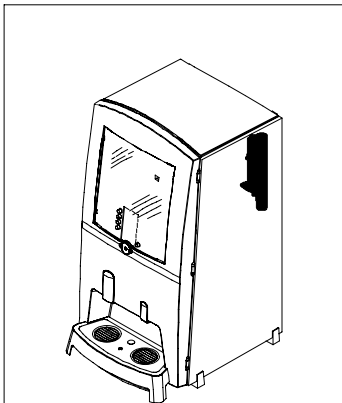


FRESHONE



FreshOne		
1.	STD	6.030.061.120
	N / J	
2.	STD	
	N / J	6.030.061.123
3.	STD	
	N / J	6.030.061.122

FRESHONE



6.229.119.001

6.229.304.001

6.231.072.000

6.229.140.001

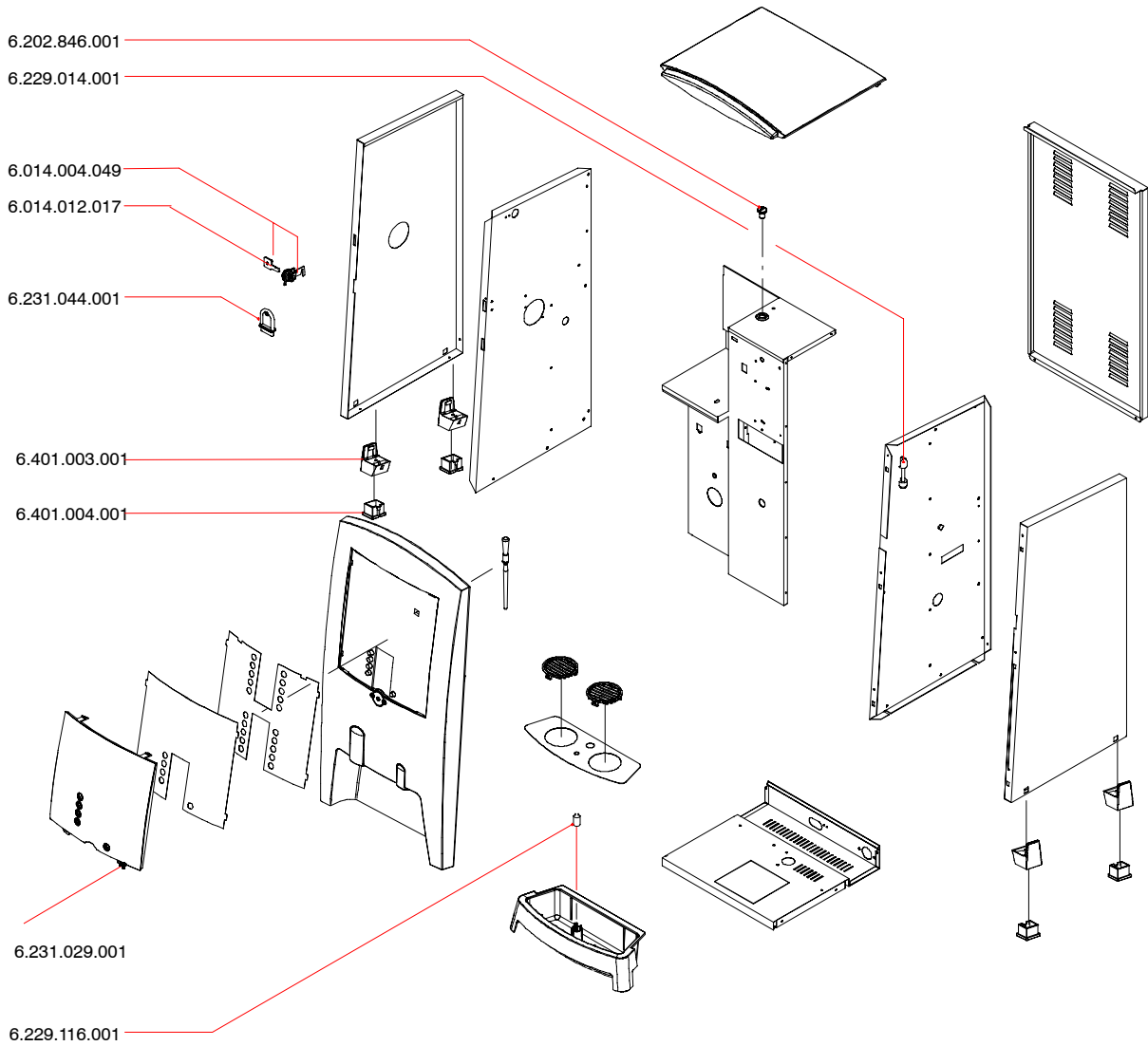
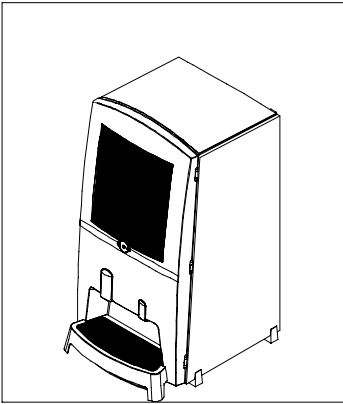
6.004.026.001

6.229.121.001

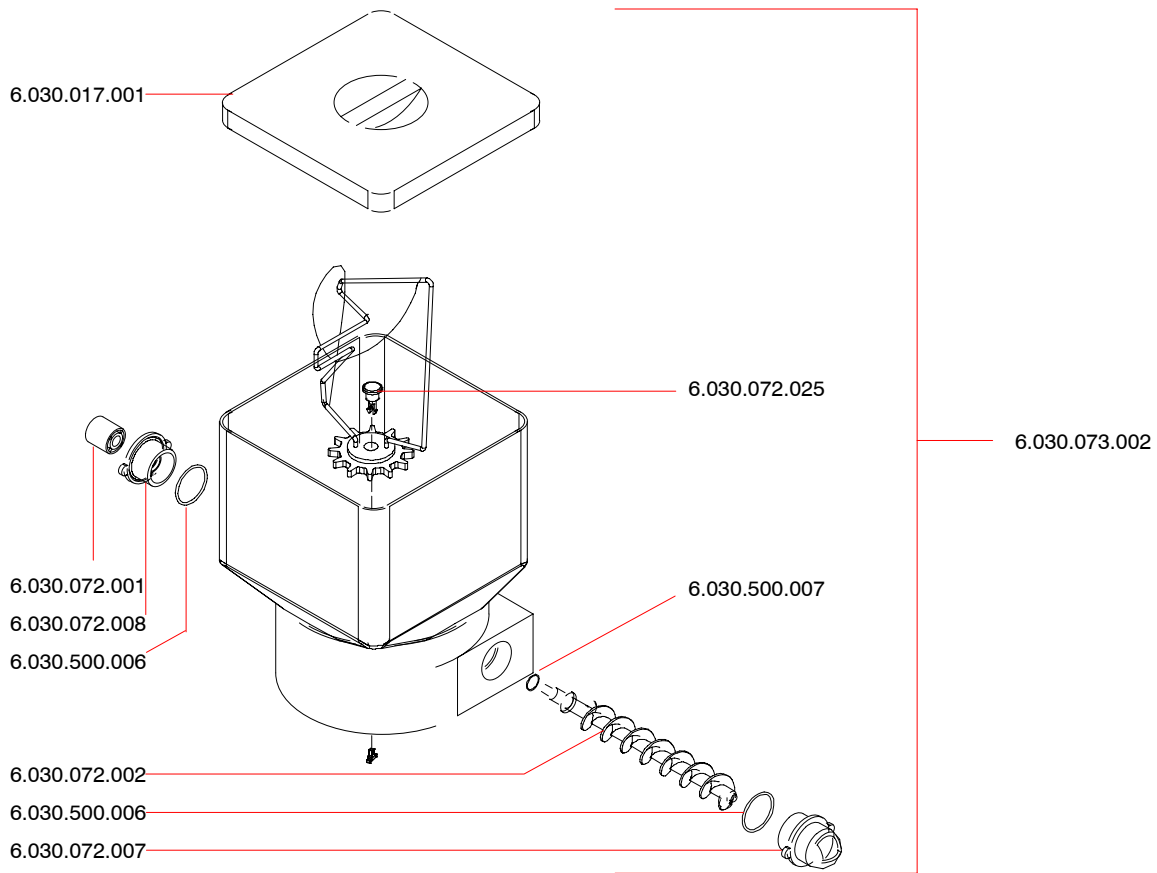
6.229.118.000

6.000.231.004

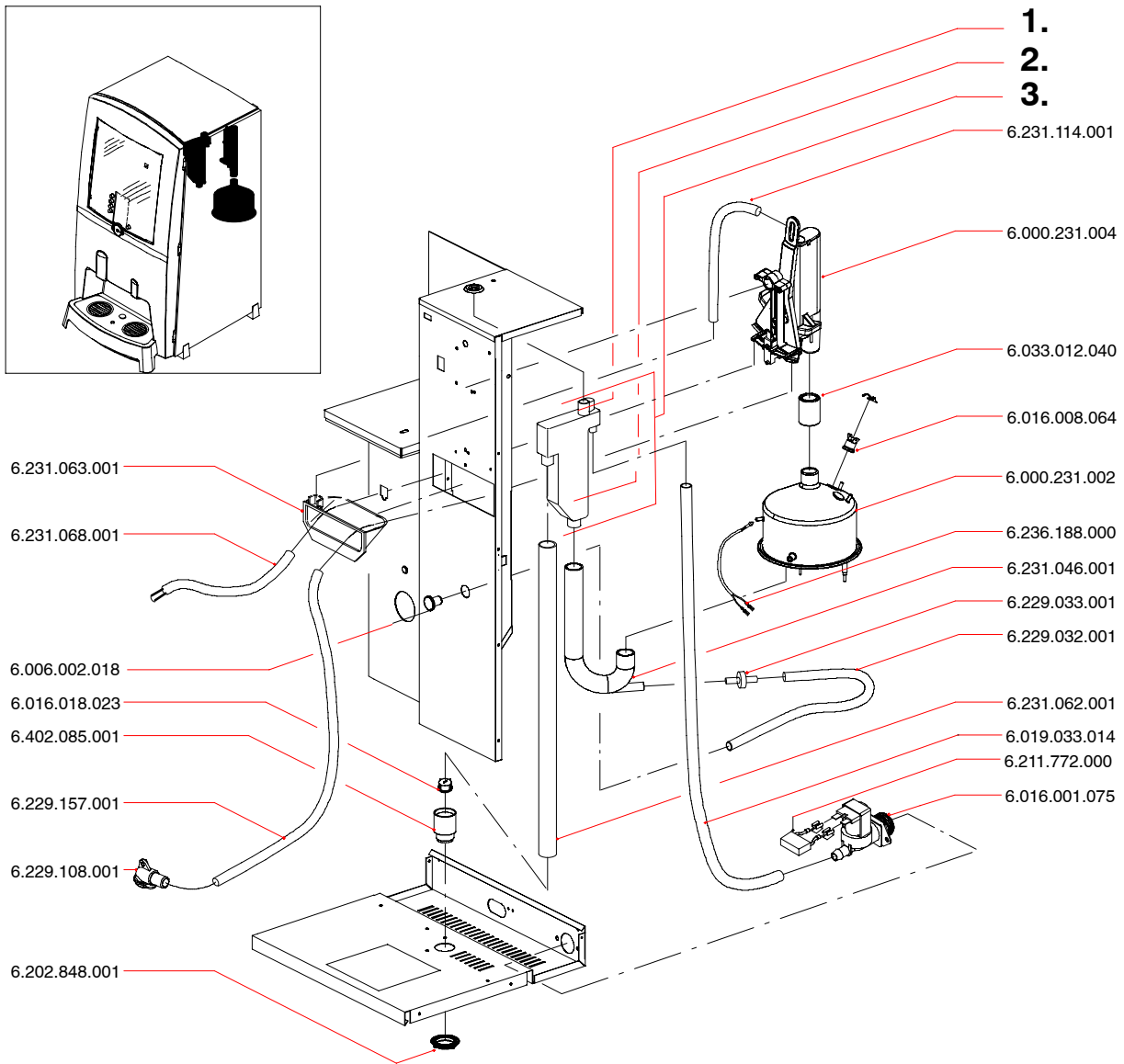
FRESHONE



FRESHONE

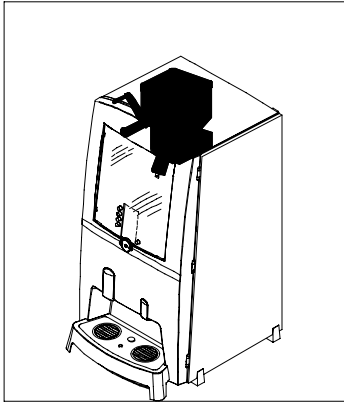


FRESHONE



		FreshOne
1.	STD	6.229.152.000
	N / SF	
2.	STD	6.229.153.001
	N / SF	
3.	STD	
	N / SF	6.229.267.000

FRESHONE



6.030.073.002

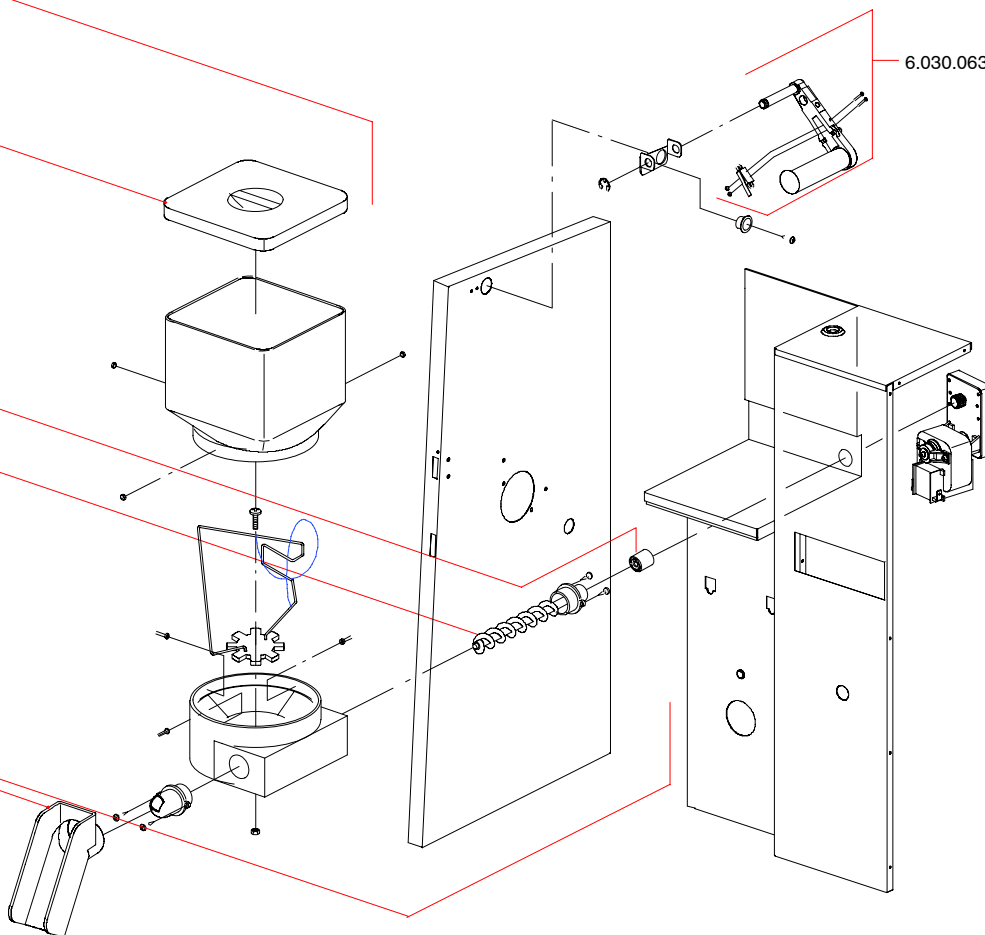
6.030.017.001

6.030.072.001

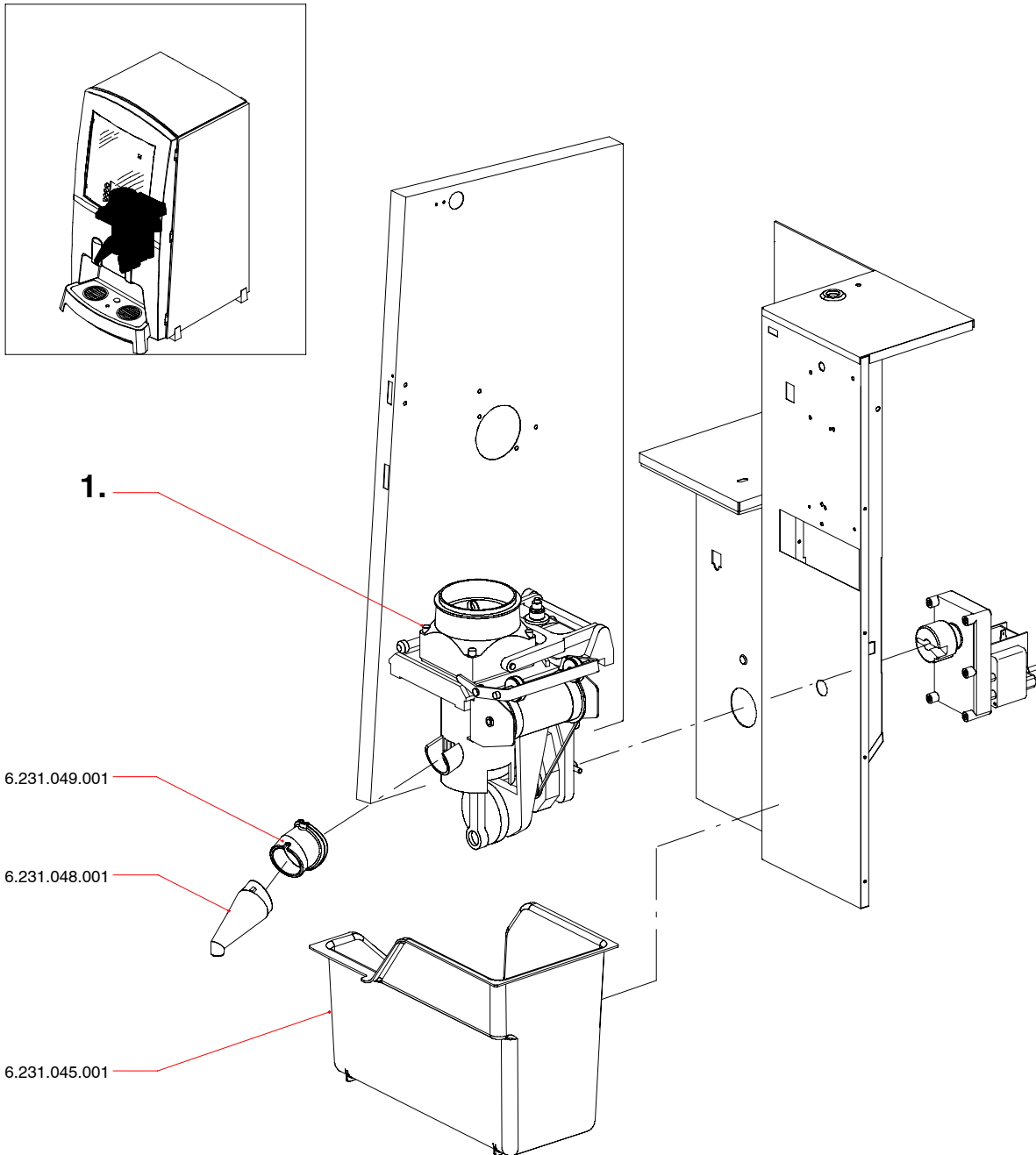
6.030.072.002

6.231.037.001

6.030.063.001

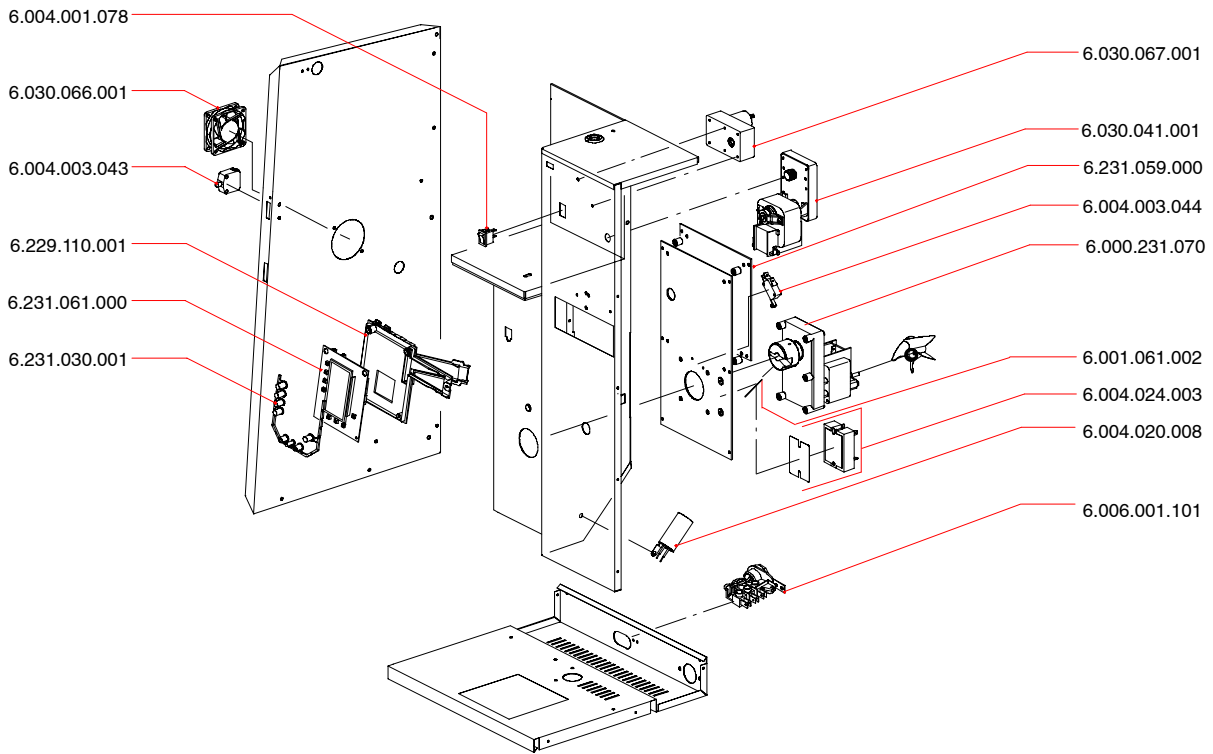
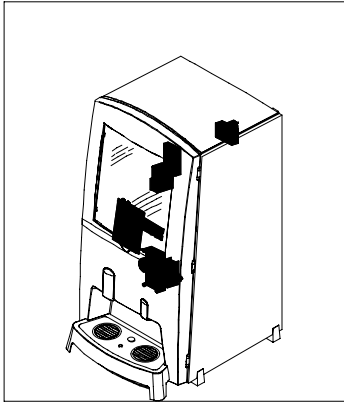


FRESHONE

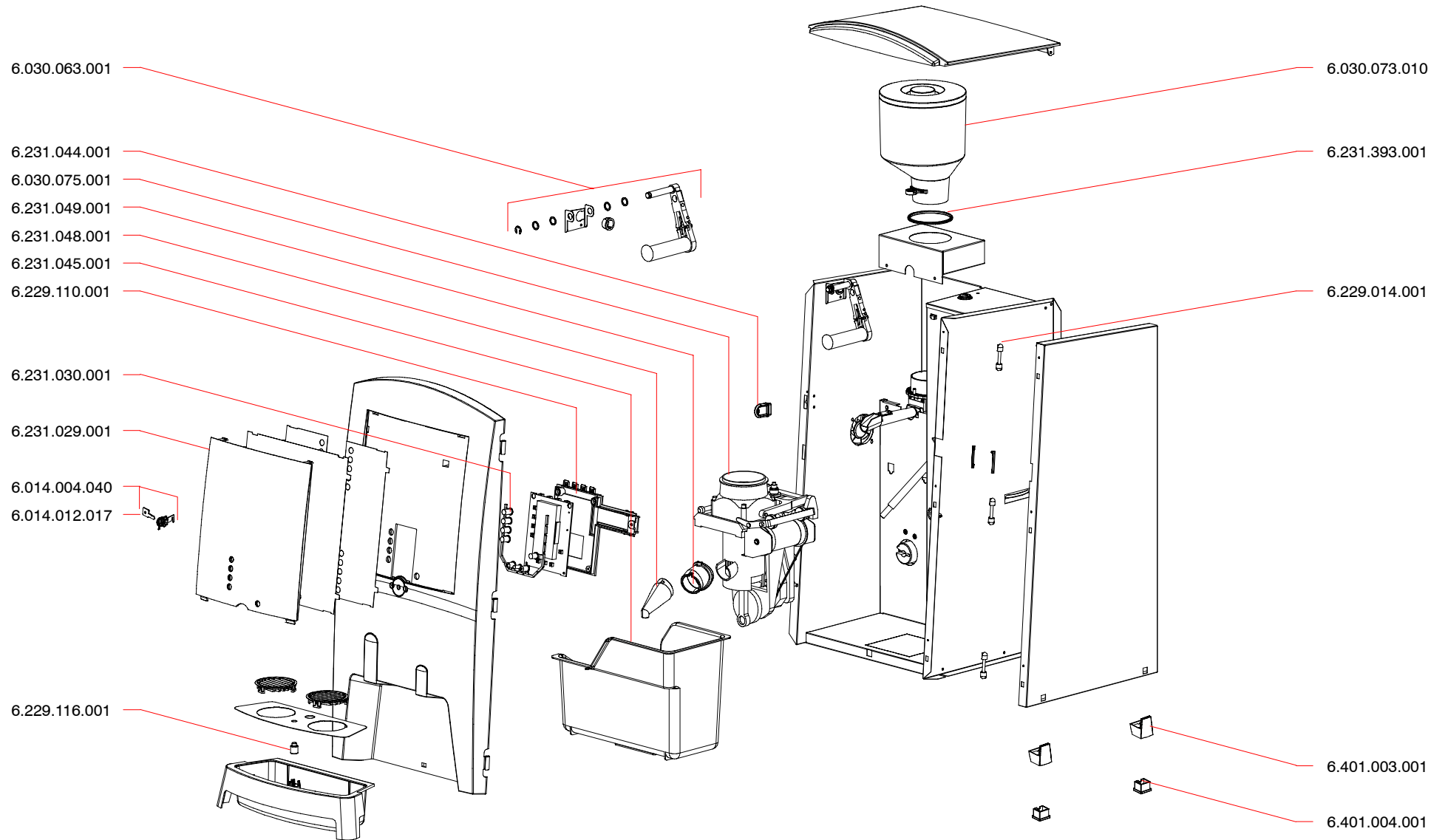


		FreshOne
1.	STD	6.030.061.001
	N	6.030.075.001

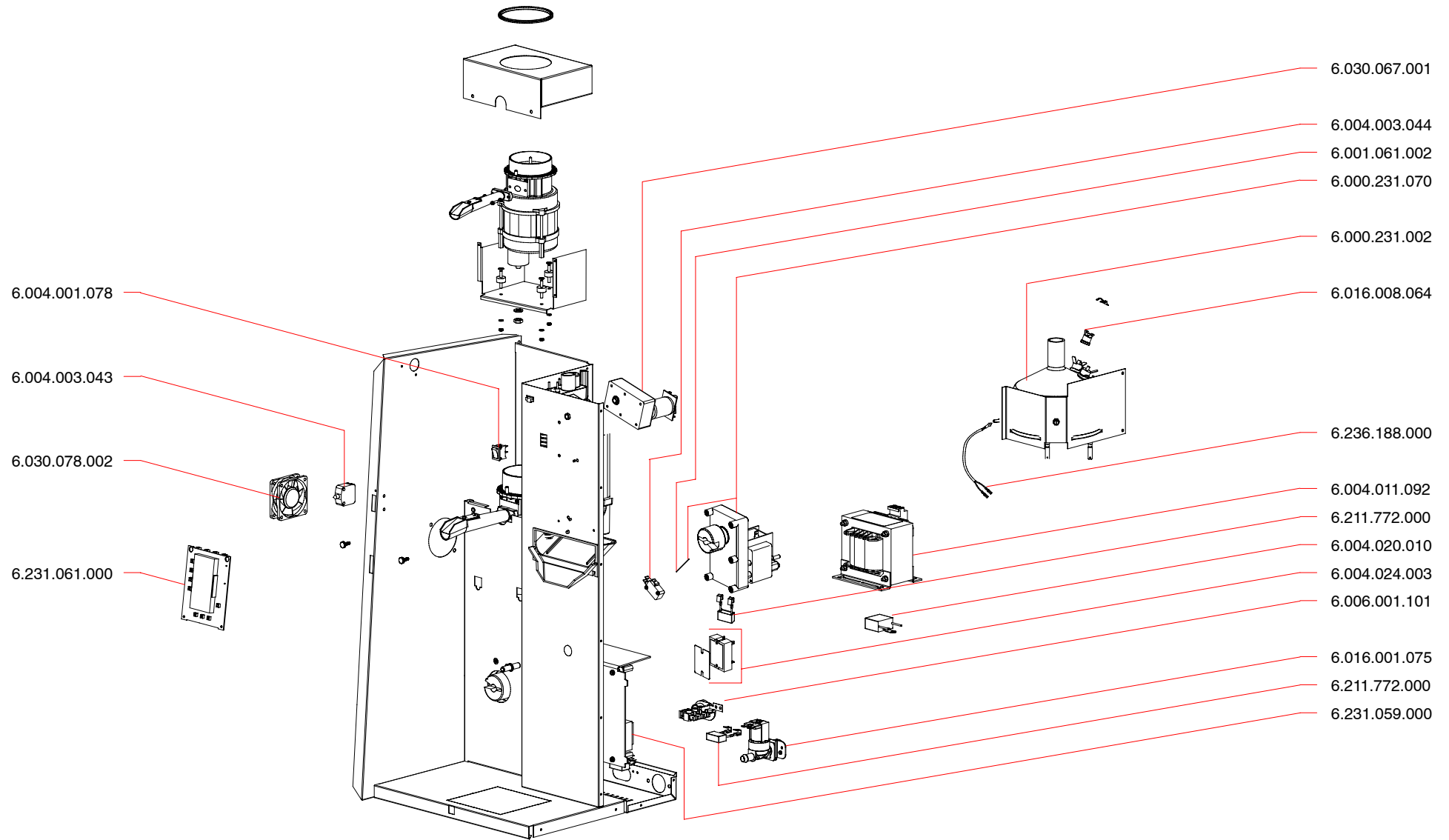
FRESHONE



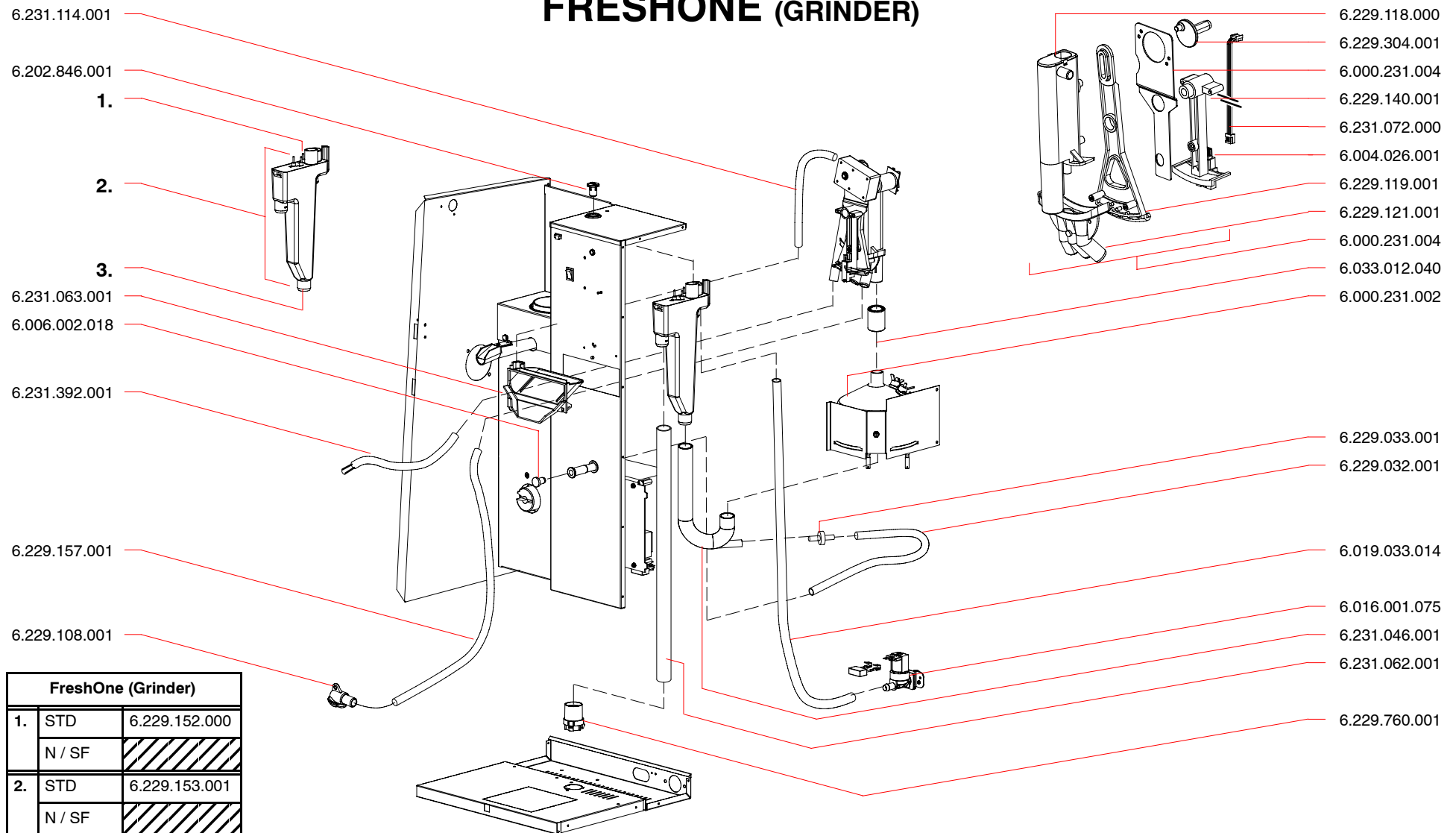
FRESHONE (GRINDER)



FRESHONE (GRINDER)



FRESHONE (GRINDER)



FreshOne (Grinder)		
1.	STD	6.229.152.000
	N / SF	
2.	STD	6.229.153.001
	N / SF	
3.	STD	
	N / SF	6.229.267.000