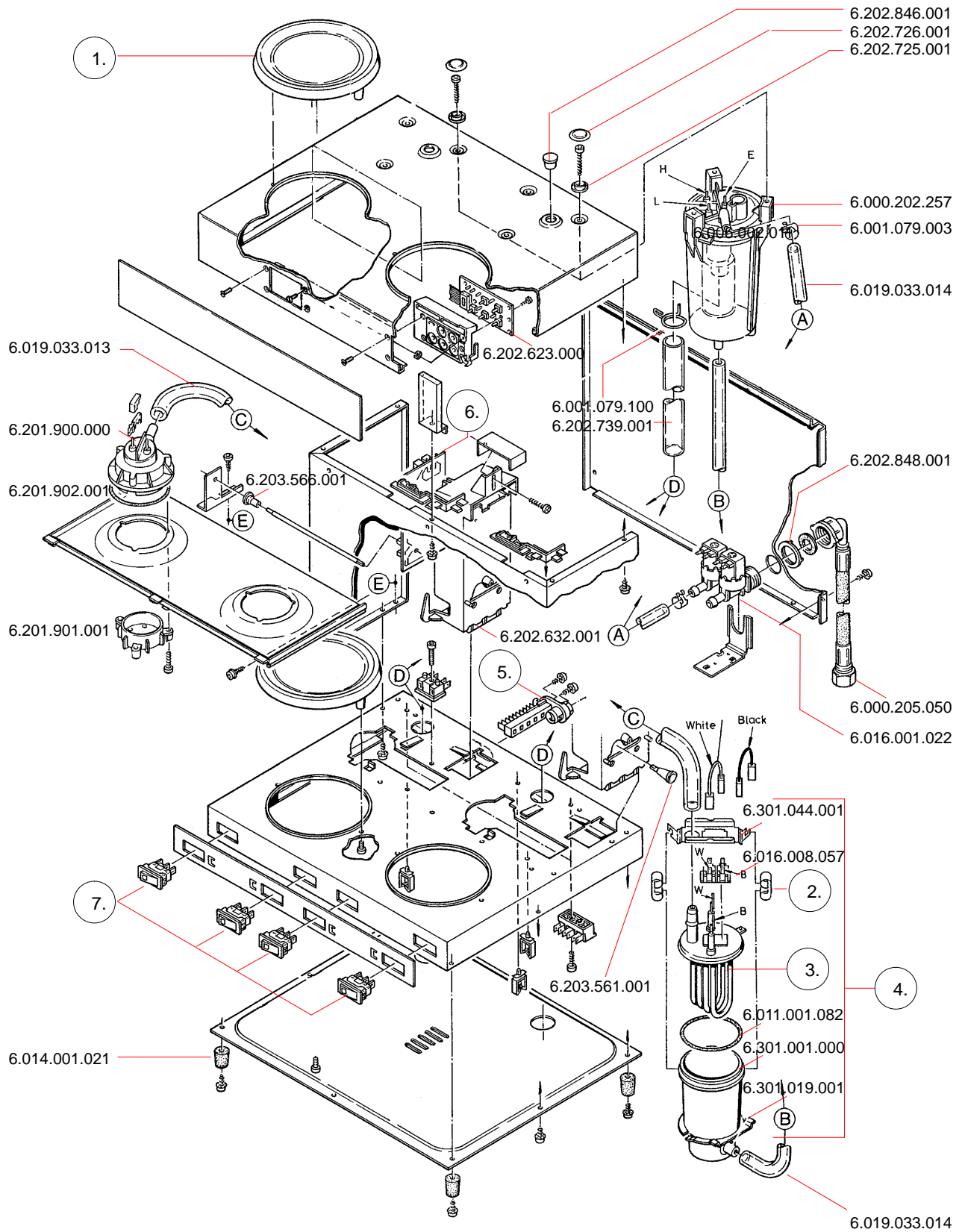
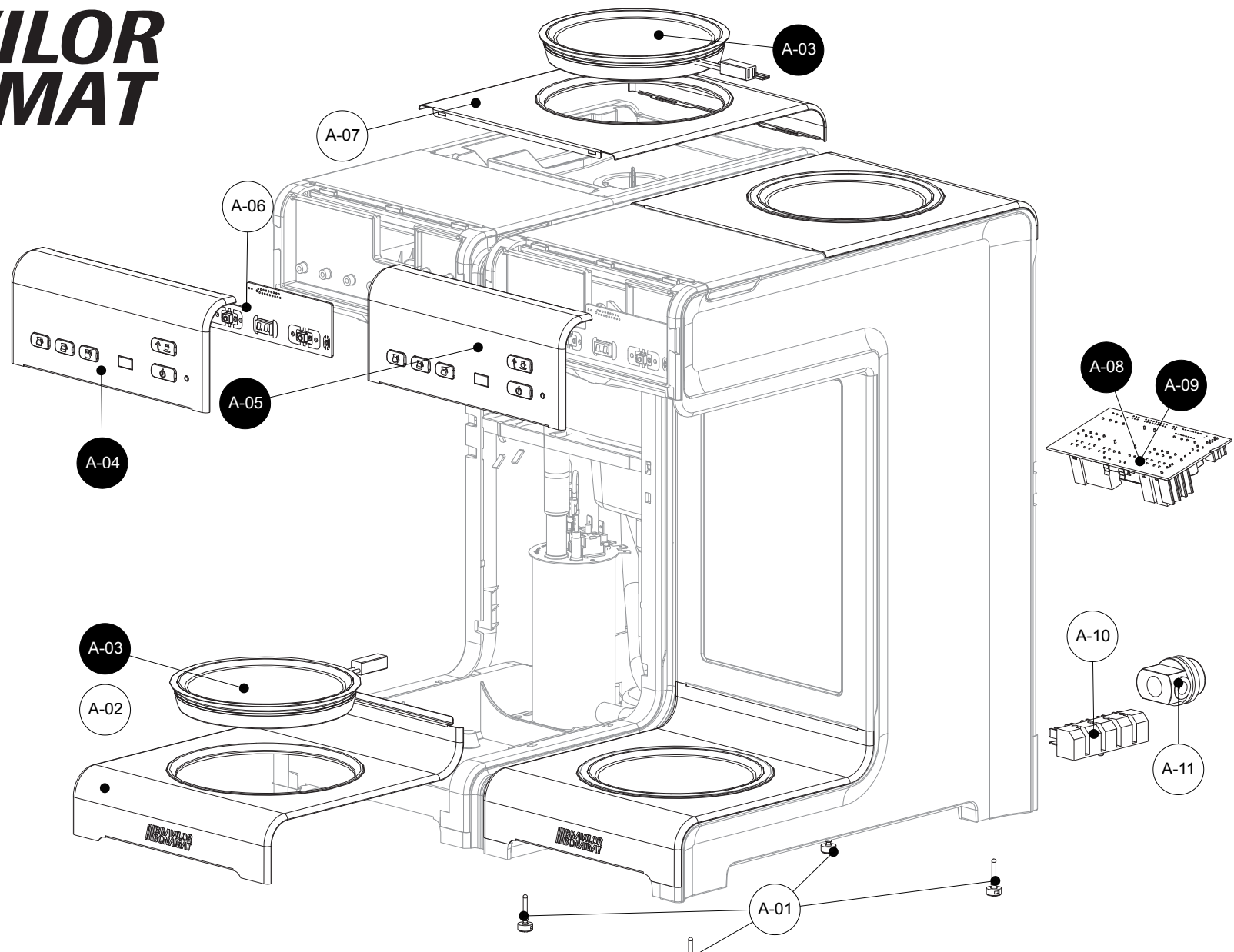


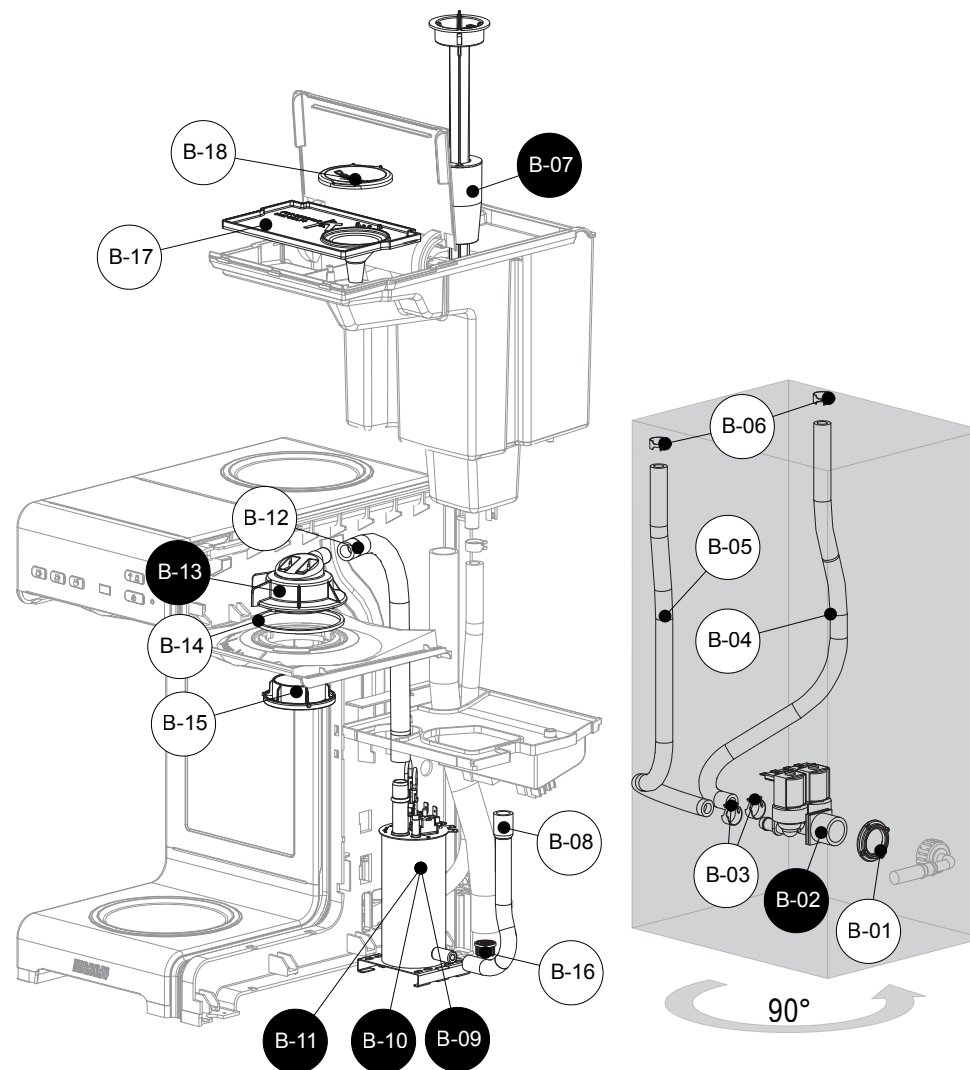
MATIC TWIN (<-- 1996)



		Matic Twin (220V~ / 240V~)	Matic Twin (200V3~ / 380V3N~ / 415V3N~)
1.	STD	6.301.023.000	6.301.023.000
	GB / IRL / KE / EAK / HK	6.301.134.000	6.301.134.000
2.	STD	6.301.045.001	6.301.045.001
	GB / IRL / KE / EAK / HK	6.000.201.581	6.000.201.581
3.	STD	6.301.201.000	6.301.002.000
	GB / IRL / KE / EAK / HK	6.301.338.000	6.301.002.000
	OCE / AUS / NZ	6.301.492.000	6.301.492.000
4.	STD	6.000.201.675	6.000.201.652
	GB / HK	6.000.201.676	6.000.201.652
	OCE / AUS / NZ	6.000.201.601	6.000.201.601
5.	STD	6.006.001.101	6.006.001.102
	OCE / AUS / NZ	6.006.001.107	6.006.001.102
6.	STD	6.202.743.000	6.202.743.000
	SF	6.202.847.000	6.202.847.000
7.	STD	6.004.001.045	6.004.001.045
	DE	6.004.001.051	6.004.001.051



BOM Id	Description	S-RS	Nederlands	Deutsch	English	Français
A-01	6.101.039.001	S	Insert pootje	Einsatz Fuss	Insert foot	Caoutchouc pied
A-02	6.101.033.001	S	Onderpaneel	Unterpanel	Lower panel	Panneau inférieur
A-03	6.101.072.000	RS	Warmhoudplaat	Heißplatte	Hotplate	Plaque chauffante
A-04	6.101.141.001	S	Bovenpaneel bedrukt	Obenpanel Bedruckt	Upperpanel printed	Panneau supérieur imprimé
A-05	6.101.142.001	S	Bovenpaneel bedrukt	Obenpanel Bedruckt	Upperpanel printed	Panneau supérieur imprimé
A-06	6.101.161.000	RS	Keyboard	Tastatur	Keyboard	Sélecteur
A-07	6.101.027.001	S	Bovenpaneel	Obenpanel	Upper panel	Panneau supérieur
A-08	6.101.047.000	RS	Print	Leiterplatte	Print board	Circuit imprimé
A-09	6.101.151.000	RS	Print (GB)	Leiterplatte (GB)	Print board (GB)	Circuit imprimé (GB)
A-10	6.002.019.150	S	Bedradingsstrip	Drahtstreifen	Wire clamp	Domino raccord
A-11	6.006.001.019	S	Snoerinvoer	Kabeleinfuhr	Cord inlet	Passe fil



BOM Id	Description	mm	S-RS	Nederlands	Deutsch	English	Français
B-01	6.202.848.001		S	Moer magneetventiel	Mutter für Magnetventil	Nut for magnetic valve	Ecrou pour vanne magnétique
B-02	6.016.001.036		RS	Magneetventiel 2x2,5 l	Magnetventil 2x2,5 L	Magnetic valve 2x2.5 l	Vanne magnétique 2x2.5 l
B-03	6.001.079.004		S	Slangklem 17,5 mm	Schlauchklemme 17,5 mm	Tube clamp 17.5 mm	Serreur tuyau 17,5 mm
B-04	6.019.033.014	700	S	Slang 9.5 x 3.0 silicone	Silikonenschlauch 9.5 x 3.0	Silicone tube 9.5 x 3.0	Tuyau de silicone 9.5 x 3.0
B-05	6.019.033.014	470	S	Slang 9.5 x 3.0 silicone	Silikonenschlauch 9.5 x 3.0	Silicone tube 9.5 x 3.0	Tuyau de silicone 9.5 x 3.0
B-06	6.001.079.003		S	Slangklem 15,6 mm	Schlauchklemme 15,6 mm	Tube clamp 15.6 mm	Serreur tuyau 15,6 mm
B-07	6.000.101.003		RS	Vlotter (compleet)	Schwimmer (komplett)	Float (assy)	Flotteur (ens.)
B-08	6.101.081.001		S	Slang	Schlauch	Tube	Tuyau
B-09	6.101.061.000		RS	Doorstroomelement 230V 2000W	Durchlauferhitzer 230V 2000W	Flow boiler 230V 2000W	Chaudière 230V 2000W
B-10	6.101.133.000		RS	Doorstroomelement 230V 1600W	Durchlauferhitzer 230V 1600W	Flow boiler 230V 1600W	Chaudière 230V 1600W
B-11	6.101.137.000		RS	Doorstroomelement 240V 1400W	Durchlauferhitzer 240V 1400W	Flow boiler 240V 1400W	Chaudière 240V 1400W
B-12	6.101.080.000		S	Slang	Schlauch	Tube	Tuyau
B-13	6.101.008.001		S	Sproeikop (compleet)	Sprühkopf (komplett)	Water spreader (assy)	Arroseur (ens)
B-14	6.011.001.157		S	O-ring	O-Ring	O-ring	Rondelle
B-15	6.101.062.001		S	Sproeibakje	Sprühkasten	Spraying tank	Bassin d'arrosage
B-16	6.016.018.023		S	Zeefje	Sieb	Sieve	Tamis
B-17	6.101.012.001		S	Afdekplaat	Abschirmplatte	Protection plate	Plaque de recouvrement
B-18	6.101.122.001		S	Ontkalkingsdop	Entkalkungskappe	Descaling plug	Bouchon d'orifice détartrage