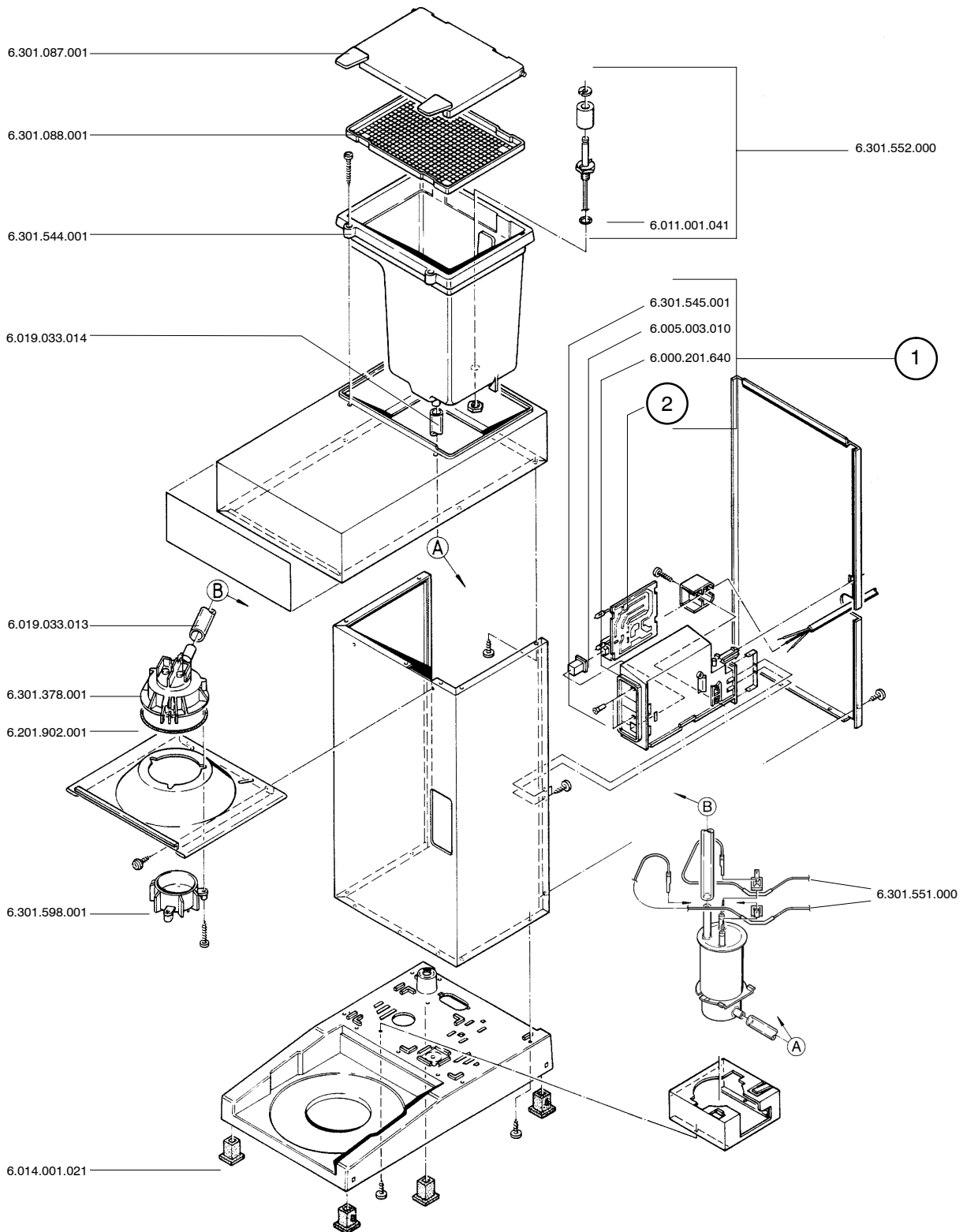
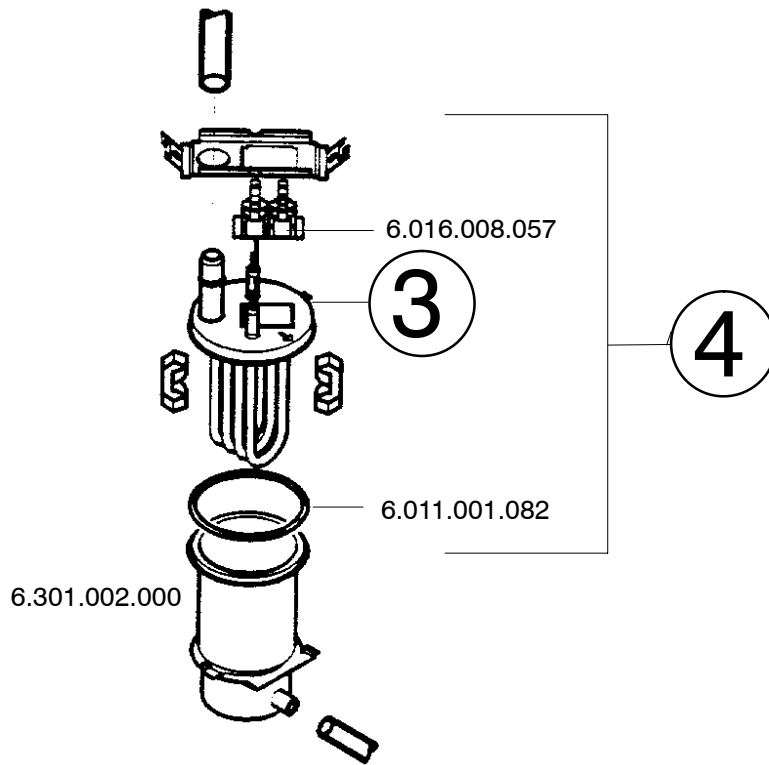


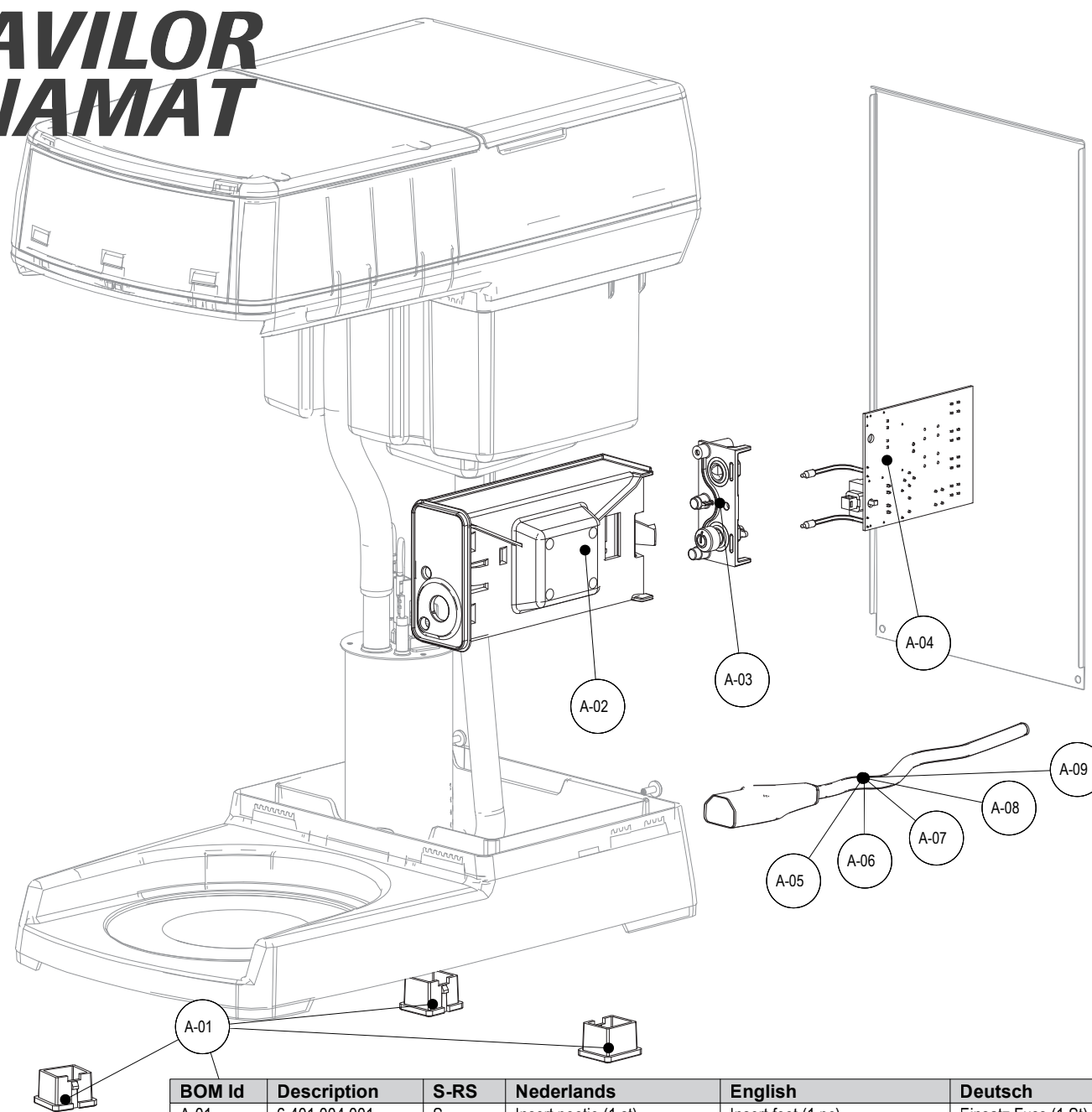
## ISO



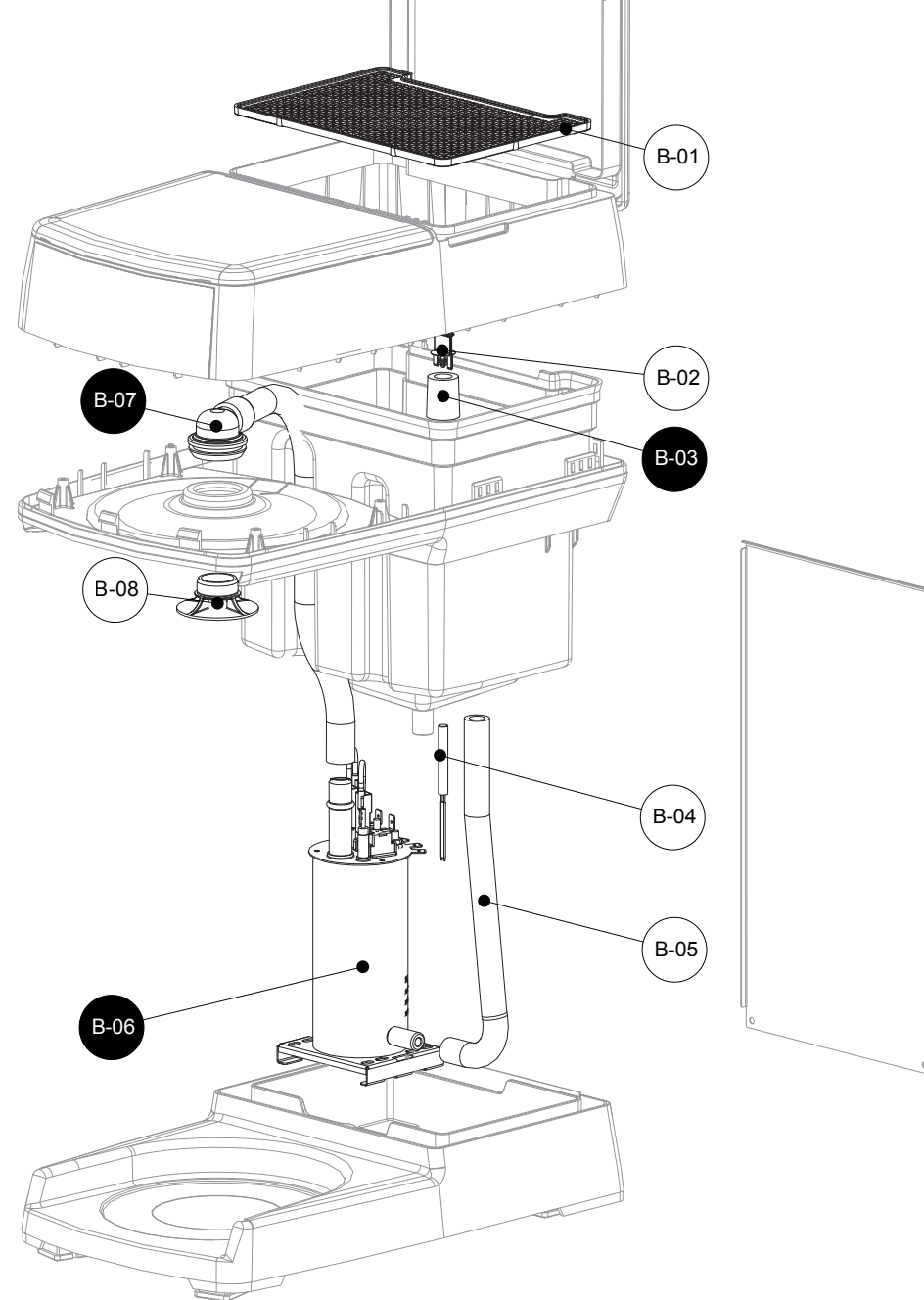


|    |     | Iso           |
|----|-----|---------------|
| 1. | STD | 6.000.201.630 |
|    | MEX | 6.000.201.695 |
|    | J   | 6.000.201.714 |
| 2. | STD | 6.301.610.000 |
|    | MEX | 6.301.611.000 |
|    | J   | 6.301.841.000 |
| 3. | STD | 6.301.002.000 |
|    | MEX | 6.301.788.000 |
|    | J   | 6.301.838.000 |
| 4. | STD | 6.000.201.652 |
|    | MEX | 6.000.201.691 |
|    | J   | 6.000.201.715 |

# BRAVILOR BONAMAT



| BOM Id | Description   | S-RS | Nederlands           | English                | Deutsch              | Français                  |
|--------|---------------|------|----------------------|------------------------|----------------------|---------------------------|
| A-01   | 6.401.004.001 | S    | Insert pootje (1 st) | Insert foot (1 pc)     | Einsatz Fuss (1 St)  | Caoutchouc pied (1 pc)    |
| A-02   | 6.101.051.001 | S    | Houder mainboard     | Holder mainboard       | Halter hauptplatine  | Porte Circuit imprimé     |
| A-03   | 6.101.090.000 | S    | Inbouwaam knoppen    | Mounting frame buttons | Einbaurahmen Tasten  | Cadre pour touches        |
| A-04   | 6.101.050.000 | RS   | Mainboard            | Mainboard              | Hauptplatine         | Circuit imprimé principal |
| A-05   | 6.003.012.151 | S    | Aansluitsnoer (STD)  | Connection cord (STD)  | Anschlusskabel (STD) | Câble (STD)               |
| A-06   | 6.003.012.156 | S    | Aansluitsnoer (DK)   | Connection cord (DK)   | Anschlusskabel (DK)  | Câble (DK)                |
| A-07   | 6.003.012.157 | S    | Aansluitsnoer (OCE)  | Connection cord (OCE)  | Anschlusskabel (OCE) | Câble (OCE)               |
| A-08   | 6.003.012.160 | S    | Aansluitsnoer (GB)   | Connection cord (GB)   | Anschlusskabel (GB)  | Câble (GB)                |
| A-09   | 6.003.012.161 | S    | Aansluitsnoer (RSA)  | Connection cord (RSA)  | Anschlusskabel (RSA) | Câble (RSA)               |



| BOM Id | Description   | S-RS | English                | Nederlands                   | Deutsch                      | Français             |
|--------|---------------|------|------------------------|------------------------------|------------------------------|----------------------|
| B-01   | 6.101.070.001 | S    | Sieve watertank        | Zeef waterreservoir          | Sieb Wasserbehälter          | Tamis réservoir eau  |
| B-02   | 6.101.105.001 | S    | Locking device float   | Borging vlotter              | Schützvorrichtung Schwimmer  | Blockage du flotteur |
| B-03   | 6.101.093.001 | RS   | Float                  | Vlotter                      | Schwimmer                    | Flotteur             |
| B-04   | 6.101.071.000 | RS   | Reed contact           | Magneetschakelaar            | Magnetschalter               | Contact magnétique   |
| B-05   | 6.019.033.014 | S    | Tube                   | Slang                        | Schlauch                     | Tuyau                |
| B-06   | 6.101.061.000 | RS   | Flow boiler 230V 2300W | Doorstroomelement 230V 2300W | Durchlauferhitzer 230V 2300W | Chaudière 230V 2300W |
| B-07   | 6.101.086.000 | S    | Tube                   | Slang                        | Schlauch                     | Tuyau                |
| B-08   | 6.101.087.001 | S    | Spraying tank          | Sproeibakje                  | Sprühkasten                  | Bassin d'arrosage    |