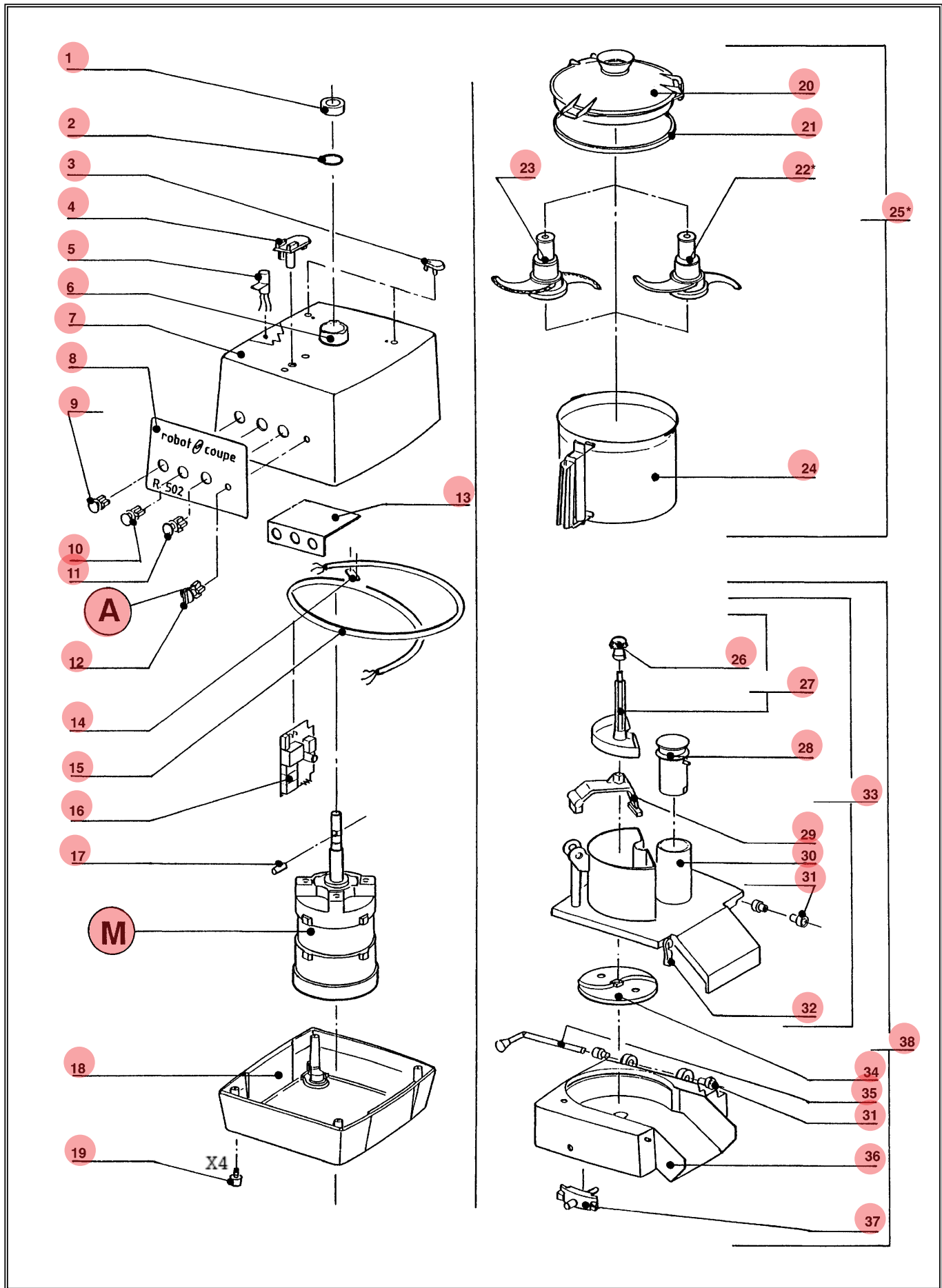




R 502

(11/2002)



<b>Index PDF</b>	<b>Référence</b>	<b>Designation commerciale</b>	<b>Tarif</b>
A	501841	ROTARY SWITCH	
M	303042	MOTOR	
1	501624S	6,5 O RING	
2	502670S	50X2 O RING	
3	29336	BOWL SUPPORT ASSEMBLY	
4	117102	SECURITY SUPPORT ASSEMBLY	
5	117101	VEG-SL REED SWITCH ASSEMBLY	
6	39088	SOCKET SUPPORT SEAL ASSEMBLY	
7	29339	MOTOR SUP ASSEMBLY	
8	401545	FRONT PLATE	
9	502175	BLACK KNOB	
10	502174 502174S	FLAT GREEN KNOB ASSEMBLY	
11	502173 502173S	FLAT RED KNOB ASSEMBLY	
12	117072	COMMUTATOR HANDLE	
13	117528	MYLAR PROTECTION - NO MORE AVAILABLE	
14	108515	POWER CORD CLIP	
15	502067	POWER CORD	
16	102099S	CIRCUIT BOARD	
17	110308S	MOTOR SHAFT PIN	
18	29340	BASE ASSEMBLY	
19	39833	GREY FOOT ASSEMBLY (X4)	
20	29341	CUTTER LID	
21	117100S	LID SEAL R502/R602	
22	27120	STRAIGHT BL KNIFE	
23	27121	COARSE SERRATED BL KNIFE	

24	117106S 49469	CUTTER BOWL
25	27427 27413	CUTTER ATTACHMENT
27	29060	VEG. PUSHER ASSEMBLY
28	100709	ROUND PUSHER
29	29102	PUSHER GUIDE ASSEMBLY - NO MORE AVAILABLE
30	100680	VEGETABLE SLICER LID - NO MORE AVAILABLE
31	29058	SHOULDERED RING ASSEMBLY (2)
32	29066	CLINCH CLIP ASSEMBLY
33	29103	VEG LID ASSEMBLY - NO MORE AVAILABLE
34	100062S	SLING PLATE
35	29061	LOCKING ROD ASSEMBLY
36	29346	VEG. SLICER BOWL ASSEMBLY
37	29345	LOCKING PLATE ASSEMBLY