

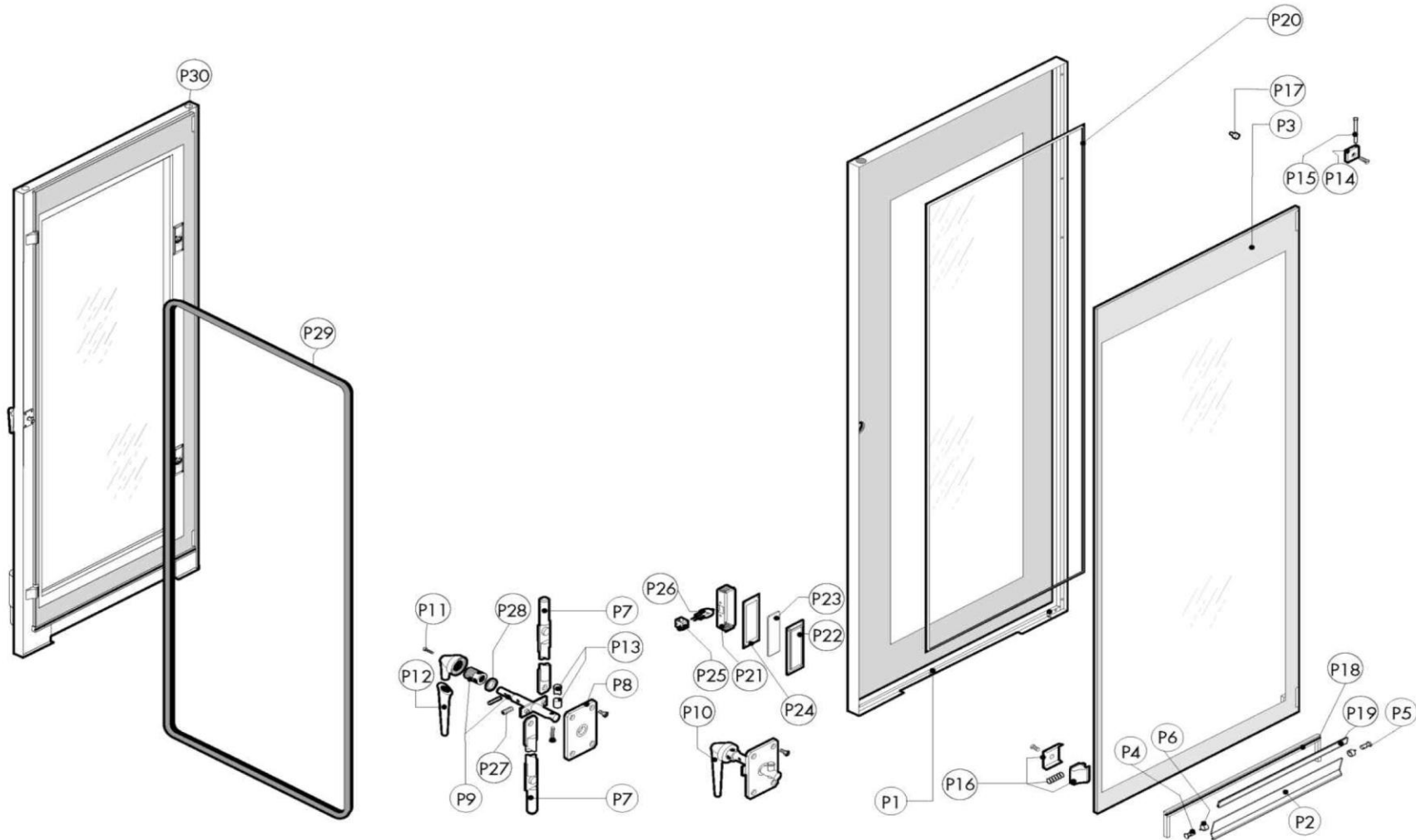
Warning! The exploded views refer to the general model

**TAV.A ed.0216**

| Pos. | Code        | Previous code | Description                                  | Notes | From: | To: | Price ( ) |
|------|-------------|---------------|--|-------|-------|-----|-----------|
| 0001 | LA70010370  | LAR70010370   | GASKET [C]                                   |       |       |     |           |
| 0002 | LAR11205390 |               | LOWER HINGE KIT [C] M-V/201-202              |       |       |     |           |
| 0003 | LAR10201710 |               | FILTER [C] D.86/44.5 M/210-12                |       |       |     |           |
| 0004 | LA62070023  | LAR62070023   | BICONE [C] D. 6                              |       |       |     |           |
| 0005 | LA11426830  | LAR11426830   | UPPER HINGE [C] DOOR SR.2013                 |       |       |     |           |
| 0006 | LAR58002540 |               | KEY [C] FOR PIN DOOR M-V/120-22              |       |       |     |           |
| 0007 | LAR65260752 |               | CONTACT [C] LIGHTS SR.2014                   |       |       |     |           |
| 0008 | LA65240020  | LAR65240020   | LOCK NUT [C] PG 116/16/NY                    |       |       |     |           |
| 0009 | LA58003850  | LAR58003850   | COUNTER FLANGE [C] LARGE                     |       |       |     |           |
| 0010 | LA62280038  | LAR62280038   | CURVE [C] D.50 D.50X                         |       |       |     |           |
| 0011 | LA58004050  | LAR58004050   | NUT [C] FOR HINGE PIN M/106-220              |       |       |     |           |
| 0012 | LA62060223  | LAR62060223   | NUT [C] D. 6                                 |       |       |     |           |
| 0013 | LA65110200  | LAR65110200   | SOLENOID VALVE [C] 220V 50HZ 1 WAY           |       |       |     |           |
| 0014 | LAR65110240 |               | SOLENOID VALVE [C] 220V 50HZ 2P+1D<br>3 WAYS |       |       |     |           |
| 0015 | LA61630011  | LAR61630011   | ZINC CLAMP [C] 12-22/9                       |       |       |     |           |
| 0016 | LAR61630031 |               | ZINC CLAMP [C] 40-60/9                       |       |       |     |           |
| 0017 | LAR65280490 |               | FERRITE [C] FT36                             |       |       |     |           |
| 0018 | LA65280230  | LAR65280230   | FILTER [C]                                   |       |       |     |           |
| 0019 | LA58003840  | LAR58003840   | FLANGE [C]                                   |       |       |     |           |
| 0020 | LA70020050  | LAR70020050   | GASKET [C]                                   |       |       |     |           |
| 0021 | LAR70010050 |               | GASKET [C] 7,60X2,62                         |       |       |     |           |
| 0022 | LA70010210  | LAR70010210   | GASKET [C] 18,72X2,62                        |       |       |     |           |
| 0023 | LA70030180  |               | GASKET [C] 80X50,3X3                         |       |       |     |           |
| 0024 | LA70050150  | LAR70050150   | GASKET [C] BOILER CAP                        |       |       |     |           |
| 0025 | LA70010030  | LAR70010030   | GASKET [C] 6,07X1,78                         |       |       |     |           |
| 0026 | LAR62090713 |               | MANICOTTO FF 3/4-1/2 OT                      |       |       |     |           |
| 0027 | LAR70060080 |               | COUPLING [C] D. 13X18X80                     |       |       |     |           |
| 0028 | LA70060040  | LAR70060040   | COUPLING [C] D. INT 51 D. EXT 59             |       |       |     |           |
| 0029 | LA14425200  | LAR14425200   | HANDLE [C] TROLLEY KS/T21                    |       |       |     |           |
| 0030 | LAR75300020 |               | PLATE [C] FAN D.120                          |       |       |     |           |
| 0031 | LA75300070  | LAR75300070   | PLATE [C] FAN D.350 N/S101 2014              |       |       |     |           |
| 0032 | LAR65265100 |               | MICROSWITCH [C]                              |       |       |     |           |
| 0033 | LA61620091  | LAR61620091   | SPRING [C] D.14/6,4X0,8 C70                  |       |       |     |           |
| 0034 | LA65220280  | LAR65220280   | TERMINAL BOARD [C]                           |       |       |     |           |
| 0035 | LAR65040550 |               | MOTOR [C] 200/440V 0,55KW F1 4P              |       |       |     |           |
| 0036 | LA63060160  | LAR63060160   | IGNITION PANEL [C] Ts=5 Tps=1                |       |       |     |           |

| Pos. | Code        | Previous code | Description                             | Notes                | From: | To: | Price ( ) |
|------|-------------|---------------|---|----------------------|-------|-----|-----------|
| 0037 | LA58002550  | LAR58002550   | SLIDING BLOCK [C] M-V/120-220           |                      |       |     |           |
| 0038 | LA58003140  | LAR58003140   | PIN [C]                                 |                      |       |     |           |
| 0039 | LAR58003110 |               | PIN [C]                                 |                      |       |     |           |
| 0040 | LA58002150  | LAR58002150   | PIN [C]                                 |                      |       |     |           |
| 0041 | LA65210020  | LAR65210020   | FUSE CARRIER [C] 5X20                   |                      |       |     |           |
| 0042 | LAR65240010 |               | FAIRLEAD [C] PG 107 Z/1                 |                      |       |     |           |
| 0042 | SIR0101302  |               | PRESSACAVO                              | UL Version (USA-CAN) |       |     |           |
| 0043 | LA58002560  | LAR58002560   | CATCH [C] DOOR M-V/120- 220             |                      |       |     |           |
| 0044 | LAR63070050 |               | PRESSURE SWITCH [C] 1/8 0,5-0,35 BAR    |                      |       |     |           |
| 0045 | LA63070010  | LAR63070010   | PRESSURE SWITCH [C]                     |                      |       |     |           |
| 0046 | LAR65095000 | LAR65090220   | MOTOR [C] VENTING                       |                      |       |     |           |
| 0047 | LA62090918  | LAR62090918   | CONNECTOR [C] D.10                      |                      |       |     |           |
| 0048 | LA62090478  | LAR62090478   | CONNECTOR [C] D.10                      |                      |       |     |           |
| 0049 | LA62090633  | LAR62090633   | CONNECTOR [C] 10/10                     |                      |       |     |           |
| 0050 | LA65110510  | LAR65110510   | REGULATOR [C] RED ALPHATECH. 15LT/<br>H |                      |       |     |           |
| 0051 | LA62090723  | LAR62090723   | REDUCTION [C]                           |                      |       |     |           |
| 0052 | LA58004010  | LAR58004010   | WASHER [C] D. 30/12,5                   |                      |       |     |           |
| 0053 | LA58002570  | LAR58002570   | WASHER [C] 15X3                         |                      |       |     |           |
| 0054 | LA69090360  | LAR69090360   | CASTOR [C] D. 100                       |                      |       |     |           |
| 0055 | LA69090350  | LAR69090350   | CASTOR [C] D. 100                       |                      |       |     |           |
| 0056 | LAR69180120 |               | BOX [C]                                 |                      |       |     |           |
| 0057 | LAR65320220 |               | PROBE [C] K 6X80 1,5ML                  |                      |       |     |           |
| 0058 | LA65160810  | LAR65160810   | SUPP.TERMICO 3RU2916-3AA01              |                      |       |     |           |
| 0059 | LA65321370  | LAR65321370   | CAP [C] SA 2014                         |                      |       |     |           |
| 0060 | LAR58005700 |               | TAPPO SCARICO CAMERA                    |                      |       |     |           |
| 0061 | LAR69150110 |               | CAP [C]                                 |                      |       |     |           |
| 0062 | LA69150100  | LAR69150100   | CAP [C]                                 |                      |       |     |           |
| 0063 | LAR58006690 |               | CAP [C] SERIE 2014                      |                      |       |     |           |
| 0064 | LA65140900  |               | SWITCH [C]                              |                      |       |     |           |
| 0065 | LAR65160850 |               | TERM.MOT.3RU2116-1EB0 2,8-4,0           |                      |       |     |           |
| 0066 | LA65070350  | LAR65070350   | THERMOSTAT [C] 360Â°C                   |                      |       |     |           |
| 0066 | LA65070370  | LAR65070370   | THERMOSTAT [C] 360Â°C                   | UL Version (USA-CAN) |       |     |           |
| 0067 | LA65180420  | LAR65180420   | TRANSFORMER [C] 20VA                    |                      |       |     |           |
| 0068 | LA65180430  | LAR65180430   | TRANSFORMER [C] 40VA                    |                      |       |     |           |
| 0068 | LA65187110  | LAR65187110   | TRANSFORMER [C] 40VA                    | UL Version (USA-CAN) |       |     |           |
| 0069 | LA80150060  | LAR80150060   | PIPE [C]                                |                      |       |     |           |

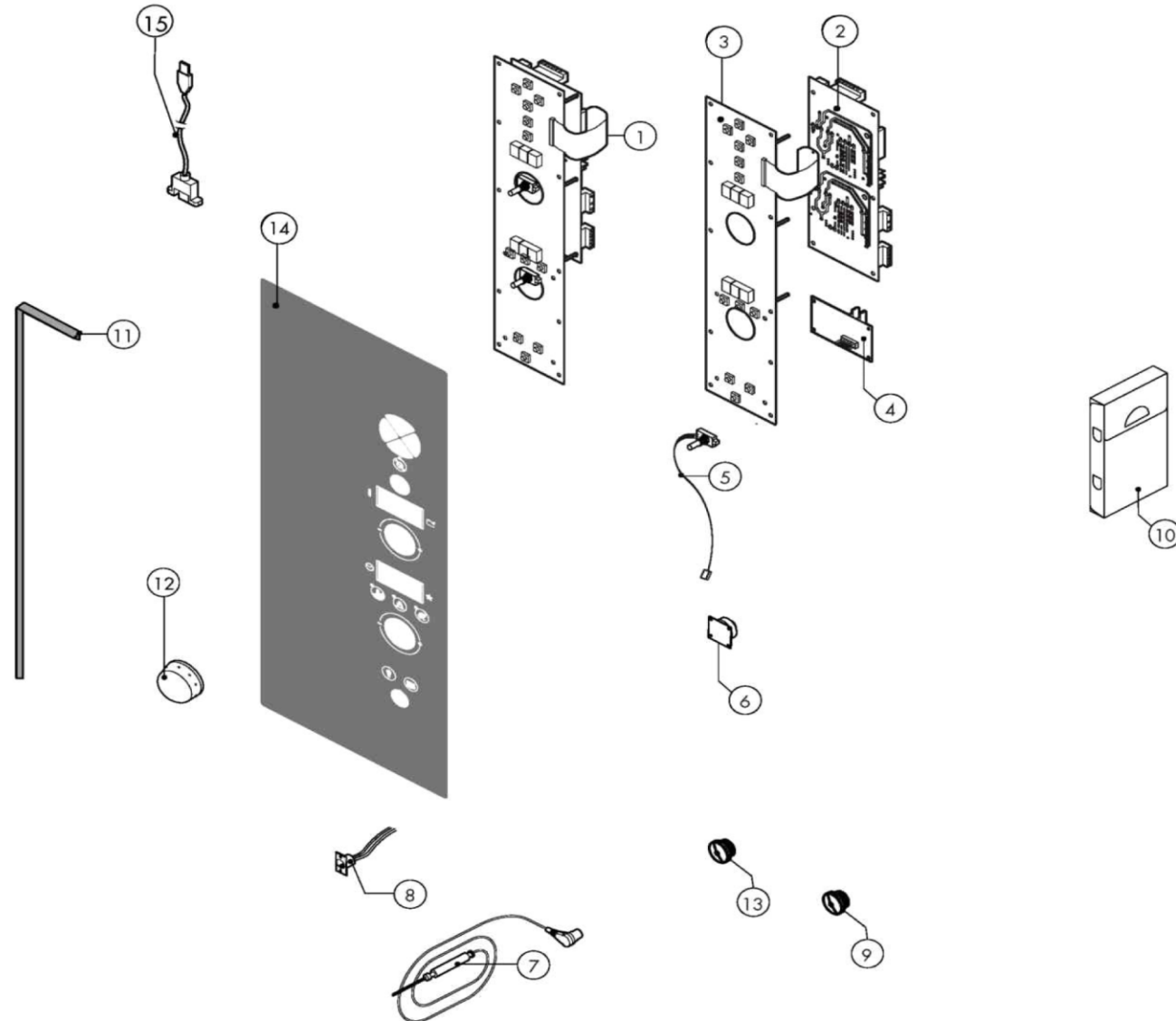
| Pos. | Code        | Previous code | Description              | Notes | From: | To: | Price ( ) |
|------|-------------|---------------|--------------------------|-------|-------|-----|-----------|
| 0070 | LA80120060  | LAR80120060   | PIPE [C]                 |       |       |     |           |
| 0071 | LA80120030  | LAR80120030   | PIPE [C]                 |       |       |     |           |
| 0072 | LA58006160  | LAR58006160   | NOZZLE [C] D. 0,80       |       |       |     |           |
| 0073 | LA65060050  | LAR65060050   | FAN [R] D. 120           |       |       |     |           |
| 0074 | LA75400440  | LAR75400440   | FAN [C] D. 350X114 50HZ  | 50Hz  |       |     |           |
| 0074 | LA75400471  | LAR75400471   | FAN [C] D. 350X114 60HZ  | 60Hz  |       |     |           |
| 0075 | LA58004000  | LAR58004000   | SCREW [C] M12X1.5        |       |       |     |           |
| 0076 | LA61020562  | LAR61020562   | SCREW [C] M6X55 UNI 5737 |       |       |     |           |
| 0077 | LAR61260152 |               | VITE                     |       |       |     |           |



Warning! The exploded views refer to the general model

**TAV.B ed.0216**

| Pos. | Code        | Previous code | Description                                 | Notes | From: | To: | Price ( ) |
|------|-------------|---------------|---|-------|-------|-----|-----------|
| 00P1 | LAR14201110 |               | DOOR [C] NA/SA_201                          |       |       |     |           |
| 00P2 | LAR14441630 |               | CLOSING PLATE [C] T21 2011                  |       |       |     |           |
| 00P3 | LAR71202050 |               | GLASS PLATE [C] T21 2011<br>(1396x511x6)    |       |       |     |           |
| 00P4 | LAR58006861 |               | CLOSING PLATE ROTATION PIVOT [C]            |       |       |     |           |
| 00P5 | LA58006910  | LAR58006910   | CLOSING PLATE ROTATION PIVOT [C]            |       |       |     |           |
| 00P6 | LAR65491250 |               | SPRING [C]                                  |       |       |     |           |
| 00P7 | LA11207670  | LAR11207670   | ROD [C] K_201-202                           |       |       |     |           |
| 00P8 | LA03200970  | LAR03200970   | FLANGE [C]                                  |       |       |     |           |
| 00P9 | LAR11205340 |               | PIN [C] HANDLE M-V/201-202                  |       |       |     |           |
| 0P10 | LAR11100312 |               | LOCK [C]                                    |       |       |     |           |
| 0P11 | LA69010820  | LAR69010820   | HANDLE [C] GREY                             |       |       |     |           |
| 0P12 | LAR69010710 |               | TAPPO MAN. GRIGIA GR.6303 C/ANELLO<br>CROM. |       |       |     |           |
| 0P13 | LAR58004781 |               | HOOK [C]                                    |       |       |     |           |
| 0P14 | LA58001760  | LAR58001760   | HINGE [C] GLASS SR2000                      |       |       |     |           |
| 0P15 | LA58001770  | LAR58001770   | PIN [C]                                     |       |       |     |           |
| 0P16 | LAR58001780 |               | CATCH [C] DOOR P2000                        |       |       |     |           |
| 0P17 | LAR70050180 |               | SPACER [C] GLASS 15x8 M4x12 A2              |       |       |     |           |
| 0P18 | LAR70044371 |               | GASKET [C] N/S_201+G_T21 2012               |       |       |     |           |
| 0P19 | LA80100910  | LAR80100910   | PROFILE [C]                                 |       |       |     |           |
| 0P20 | LAR80100100 |               | PROFILE [C]                                 |       |       |     |           |
| 0P21 | LA11401440  | LAR11401440   | LAMP COVER [C]                              |       |       |     |           |
| 0P22 | LA11401450  | LAR11401450   | FLANGE [C]                                  |       |       |     |           |
| 0P23 | LA71500150  | LAR71500150   | GLASS PLATE [C] P2000                       |       |       |     |           |
| 0P24 | LA70044200  | LAR70044200   | GASKET [C]                                  |       |       |     |           |
| 0P25 | LA65270450  | LAR65270450   | LAMP HOLDER [C]                             |       |       |     |           |
| 0P26 | LA65270020  | LAR65270020   | BULB [C] 12V 20W G4                         |       |       |     |           |
| 0P27 | LA61090052  | LAR61090052   | SCREW [C] M6X16                             |       |       |     |           |
| 0P28 | LA61600031  | LAR61600031   | GASKET [C] D.3,2 UNI 7434                   |       |       |     |           |
| 0P29 | LA70048022  | LAR70048020   | GASKET [C] DOOR T21 2016                    |       |       |     |           |
| 0P30 | LAR14173430 |               | PORTA COMPLETA L_201                        |       |       |     |           |

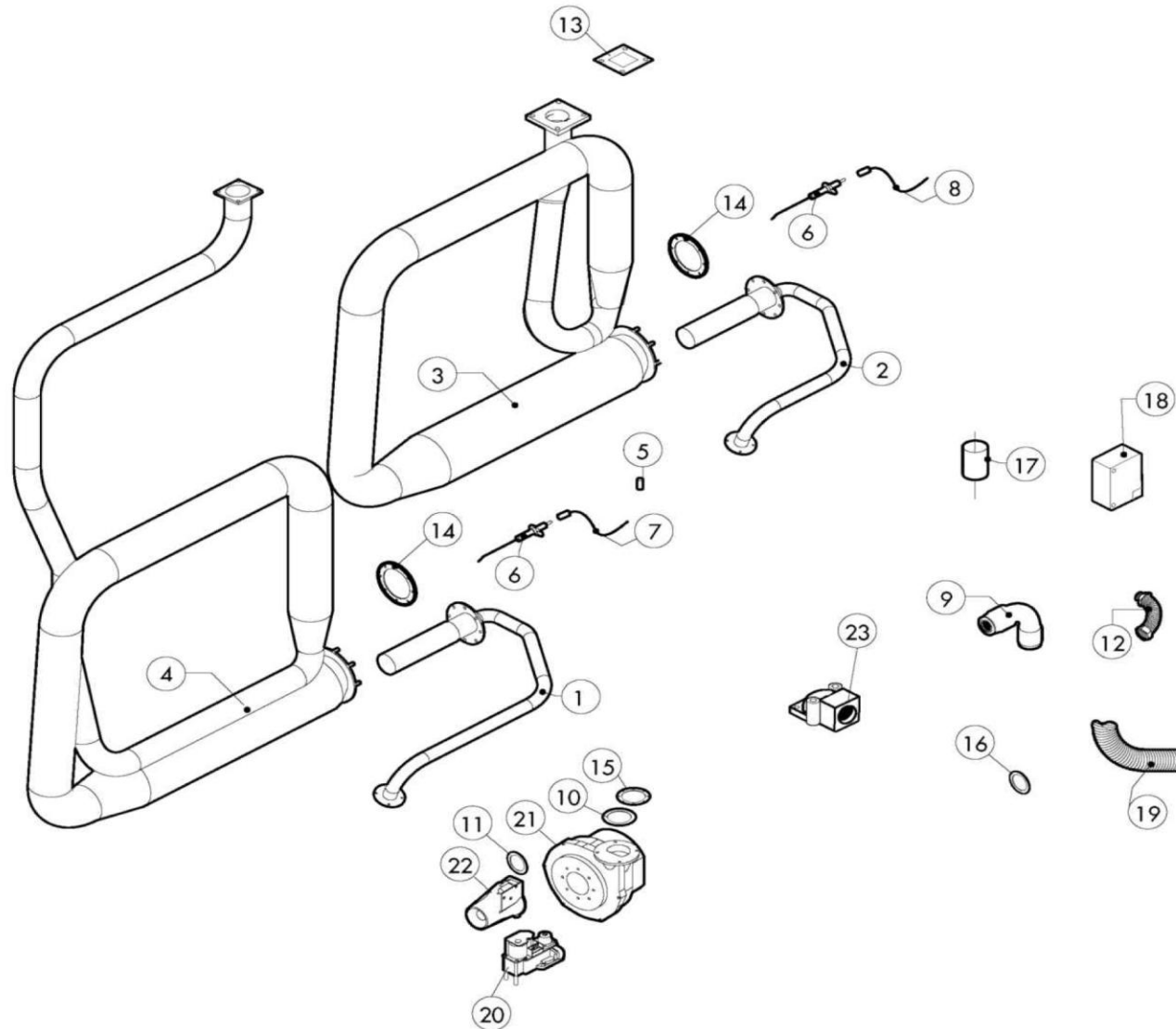


Warning! The exploded views refer to the general model

**TAV.C ed.0216**

| Pos. | Code        | Previous code | Description  | Notes | From: | To: | Price () |
|------|-------------|---------------|--|-------|-------|-----|----------|
| 0001 | LAR65302100 |               | BOARD [C] S 2009                                   |       |       |     |          |
| 0002 | LA65302250  | LAR65302250   | BOARD [C] S 2009                                   |       |       |     |          |
| 0003 | LA65302240  | LAR65302240   | KEYBOARD [C] S 2009                                |       |       |     |          |
| 0004 | LA65301950  | LAR65301950   | EXPANSION BOAD [C] BURNER X 2006                   |       |       |     |          |
| 0005 | LA65301941  | LAR65301940   | ENCODER [C] S COMPACT 2009<br>SANDWICH             |       |       |     |          |
| 0006 | LA65302450  | LAR65301960   | BOARD [C] BUZZER S                                 |       |       |     |          |
| 0007 | LA65321102  | LAR65321100   | PROBE [C] K 4P 6 PIN IMP.2012                      |       |       |     |          |
| 0008 | LA65321360  | LAR65321360   | CONNECTOR [C] L1000 FEMALE TO CORE<br>PROBE 6 PINS |       |       |     |          |
| 0009 | LA65321330  | LAR65321330   | CAP [C] N/S 2014                                   |       |       |     |          |
| 0010 | LAR86020400 |               | VALIGETTA X SONDA AL CUORE<br>TRASPARENTE          |       |       |     |          |
| 0012 | LA69030260  | LAR69030260   | KNOB [C] ENCODE D.42                               |       |       |     |          |
| 0012 | LA69030370  | LAR69030370   | MANOPOLA ENCODER D.60                              |       |       |     |          |
| 0013 | LA65321310  | LAR65321310   | CAP [C]  |       |       |     |          |
| 0015 | LA65302600  | LAR65302600   | CABLE [C] CARD SWITCH CONNECTION<br>USB 90Å° L=850 |       |       |     |          |

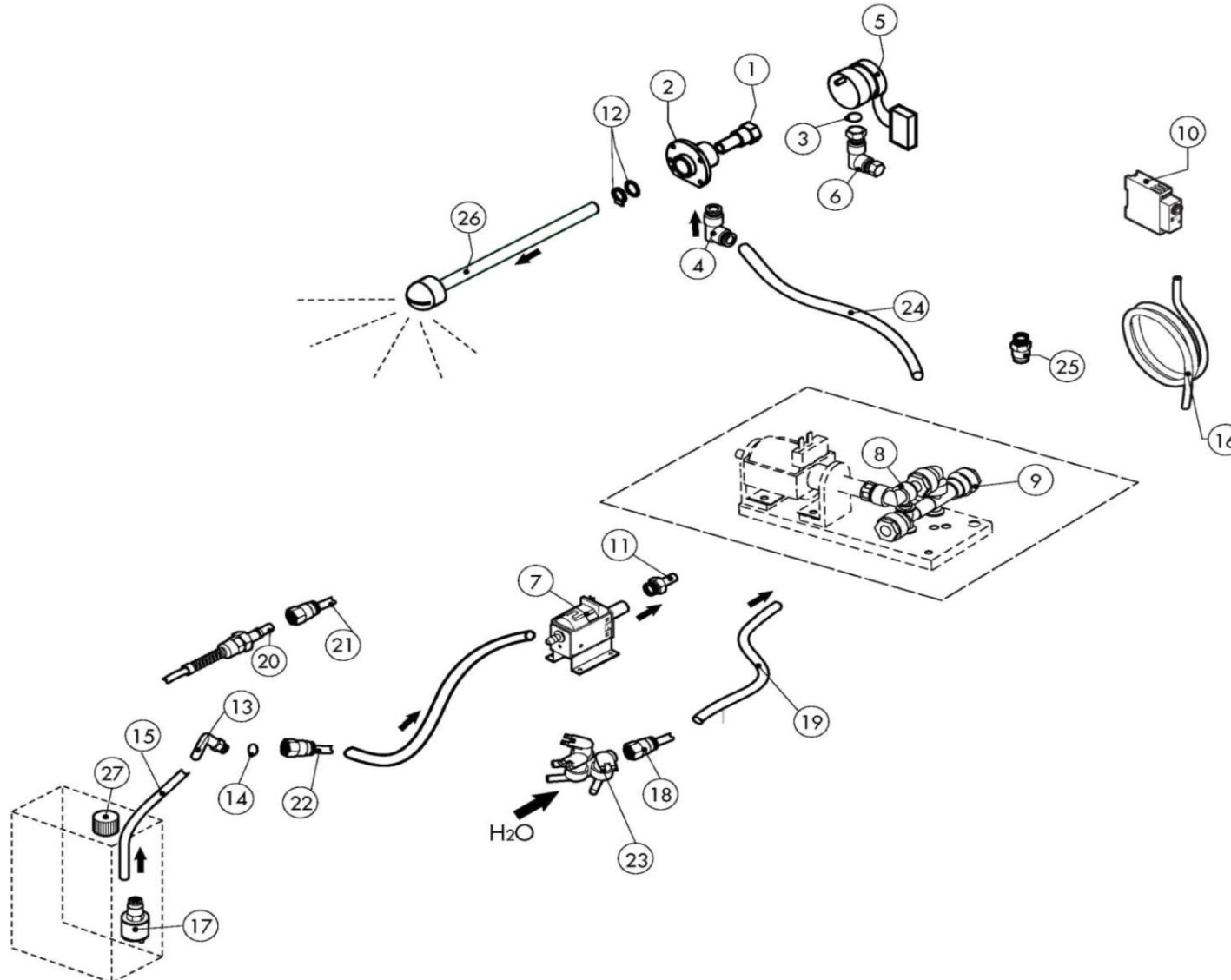




Warning! The exploded views refer to the general model

**TAV.D ed.0216**

| Pos. | Code        | Previous code | Description                                     | Notes | From: | To: | Price ( ) |
|------|-------------|---------------|---|-------|-------|-----|-----------|
| 0001 | LAR14215371 |               | LOWER BURNER [C] COMBUSTION CHAMBER G/GM-GV/T21 |       |       |     |           |
| 0002 | LAR14215461 |               | UPPER BURNER [C] COMBUSTION CHAMBER G/GM-GV/T21 |       |       |     |           |
| 0003 | LAR14215340 |               | EXCHANGER [C] G/GM-GV/T21                       |       |       |     |           |
| 0004 | LAR14215350 |               | EXCHANGER [C] G/GM-GV/T21                       |       |       |     |           |
| 0006 | LAR63050130 |               | IGNITOR [C] A/SMÃ ,9.5 KA1Ã ,3 145/95 90Â°'06   |       |       |     |           |
| 0007 | LAR66605801 |               | CABLE [C] L700 IGNITION CHAMBER-BOILER 2 CABLES |       |       |     |           |
| 0008 | LA66605120  | LAR66605120   | CABLE [C] 90Â° D.6,3 L=800                      |       |       |     |           |
| 0009 | LAR62280078 |               | CURVE [C] HTB DN50 87,5Â°                       |       |       |     |           |
| 0010 | LA11430350  | LAR11430350   | ORIFICE [C] FAN/BURNER D.18                     |       |       |     |           |
| 0011 | LA58004190  | LAR58004190   | ORIFICE [C] D4 MM                               |       |       |     |           |
| 0012 | LA62180132  | LAR62180132   | INOX FLEXIBLE PIPE [C] L. 50CM                  |       |       |     |           |
| 0013 | LA63140010  | LAR63140010   | GASKET [C] BOILER VM-G/061                      |       |       |     |           |
| 0014 | LA63140050  | LAR63140050   | GASKET [C]                                      |       |       |     |           |
| 0015 | LA63140080  | LAR63140080   | GASKET [C] BURNER De.126 18-27kW                |       |       |     |           |
| 0016 | LA70050090  | LAR70050090   | GASKET [C]                                      |       |       |     |           |
| 0017 | LA70060121  | LAR70060121   | COUPLING [C] D. EXT 45.4 D. INT 35              |       |       |     |           |
| 0018 | LA65180270  | LAR65180270   | TRANSFORMER [C] TRK2-30PVD                      |       |       |     |           |
| 0020 | LAR63020170 |               | VALVE [C] GAS                                   |       |       |     |           |
| 0021 | LA65060360  | LAR65060360   | FAN [C] RG128/1300                              |       |       |     |           |
| 0022 | LA63120030  | LAR63120030   | VENTURI TUBE [C]                                |       |       |     |           |
| 0023 | LAR63080050 |               | FLANGE [C]                                      |       |       |     |           |



Warning! The exploded views refer to the general model

**TAV.E ed.0216**

| Pos. | Code        | Previous code | Description  | Notes | From: | To: | Price ( ) |
|------|-------------|---------------|--|-------|-------|-----|-----------|
| 0001 | LAR58007000 |               | PIN [C]  |       |       |     |           |
| 0002 | LAR58007020 |               | FLANGE [C]   |       |       |     |           |
| 0003 | LA70010080  | LAR70010080   | GASKET [C] OR 14x2 VITON DIN 981                     |       |       |     |           |
| 0004 | LA62090663  | LAR62090663   | CONNECTOR [C] 10X1/4                                 |       |       |     |           |
| 0005 | LAR65090250 |               | GEARMOTOR [C]  |       |       |     |           |
| 0006 | LA62090633  | LAR62090633   | CONNECTOR [C] 10/10                                  |       |       |     |           |
| 0007 | LAR65110600 |               | PUMP [C]   |       |       |     |           |
| 0008 | LA62090498  | LAR62090498   | CONNECTOR [C] D.8                                    |       |       |     |           |
| 0009 | LA62090888  | LAR62090888   | MANIFOLD [C] 3WAYS-2D.10+1D.8+3<br>NO RETURN CONTROL |       |       |     |           |
| 0010 | LA65090480  | LAR65090480   | TIMER [C]  |       |       |     |           |
| 0011 | LA62090608  | LAR62090608   | END SIDE PIPE [C] 8x1/8                              |       |       |     |           |
| 0012 | LAR70045120 |               | GASKET [C]   |       |       |     |           |
| 0013 | LA62090678  | LAR62090678   | ELBOW [C] Å, 8-Å, 8                                  |       |       |     |           |
| 0014 | LAR70010050 |               | GASKET [C] 7,60X2,62                                 |       |       |     |           |
| 0015 | LA80150020  | LAR80150020   | PIPE [C]   |       |       |     |           |
| 0016 | LA80150040  | LAR70070080   | PIPE [C]   |       |       |     |           |
| 0017 | LA65110650  | LAR65110650   | VALVE [C]  |       |       |     |           |
| 0018 | LA62020118  | LAR62020118   | NIPPLE [C] 1/4                                       |       |       |     |           |
| 0019 | LA80120060  | LAR80120060   | PIPE [C]   |       |       |     |           |
| 0020 | LA62090482  | LAR62090482   | CONNECTOR [C]  |       |       |     |           |
| 0021 | LAR62090638 |               | CONNECTOR [C]  |       |       |     |           |
| 0023 | LAR65110280 |               | SOLENOID VALVE [C] 220V 50HZ 3<br>WAYS               |       |       |     |           |
| 0024 | LA80150000  | LAR80150000   | PIPE [C]   |       |       |     |           |
| 0025 | LA62090688  | LAR62090688   | CONNECTOR [C]  |       |       |     |           |
| 0026 | LAR58007030 |               | WASHING HEAD [C] L=165 (2/1)                         |       |       |     |           |
| 0027 | LA58005060  | LAR58005060   | CAP [C]  |       |       |     |           |

