

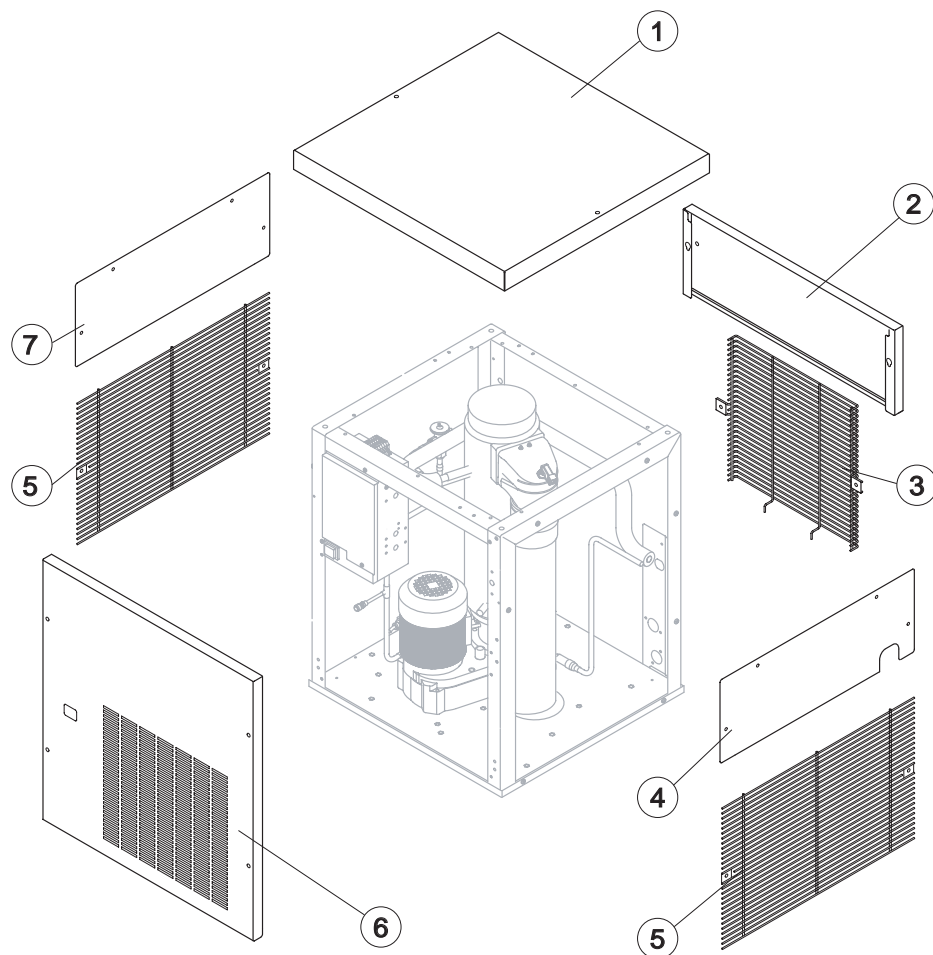


*SHELL ASSY*

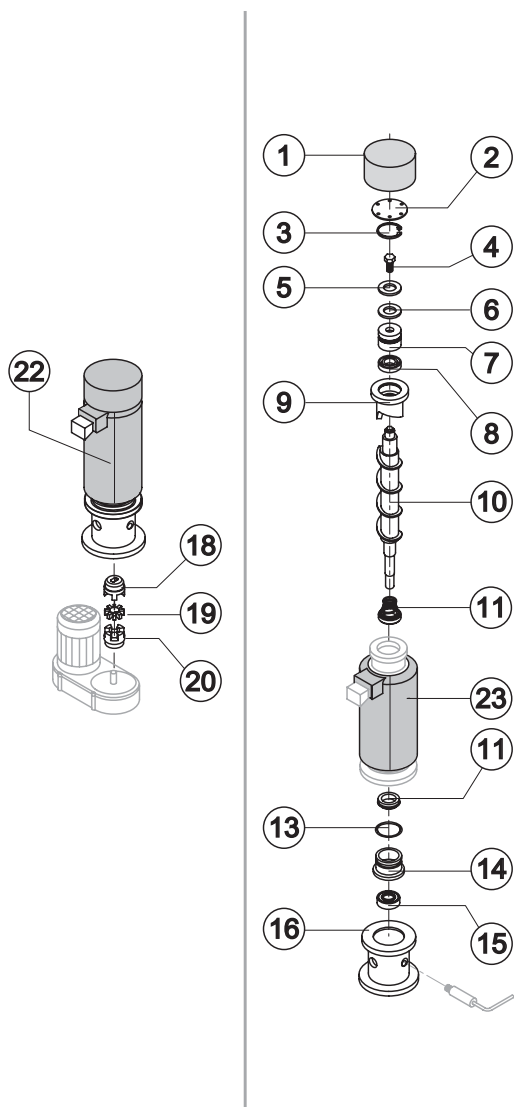
*EVAPORATOR*

*HYDRAULIC CIRCUIT*

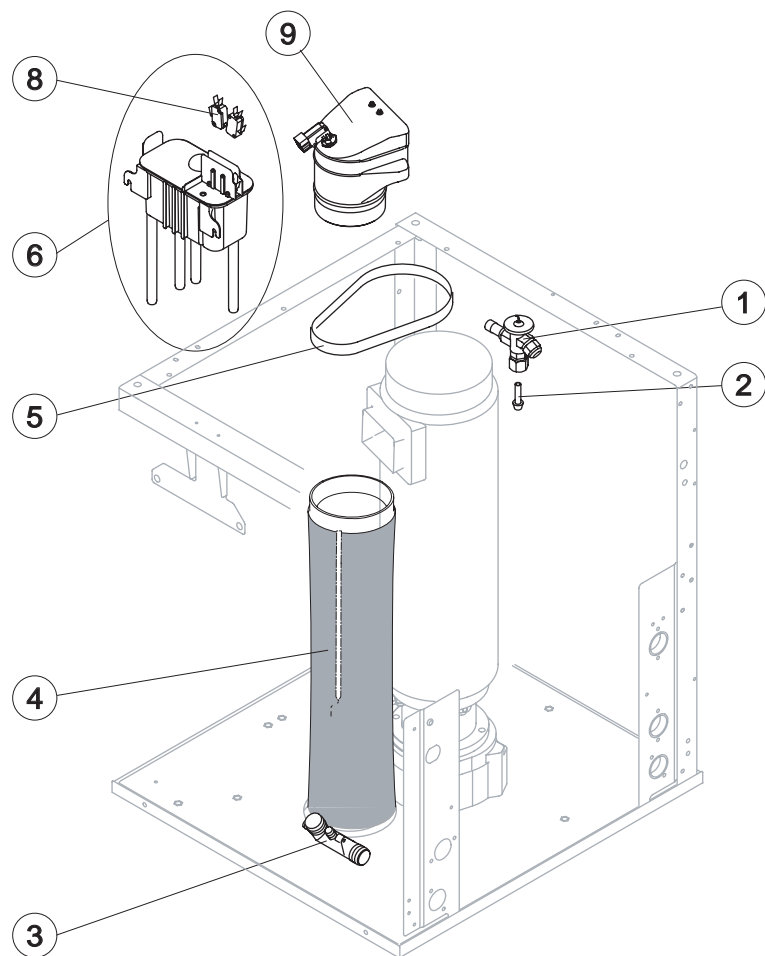
*ELECTRIC PARTS*



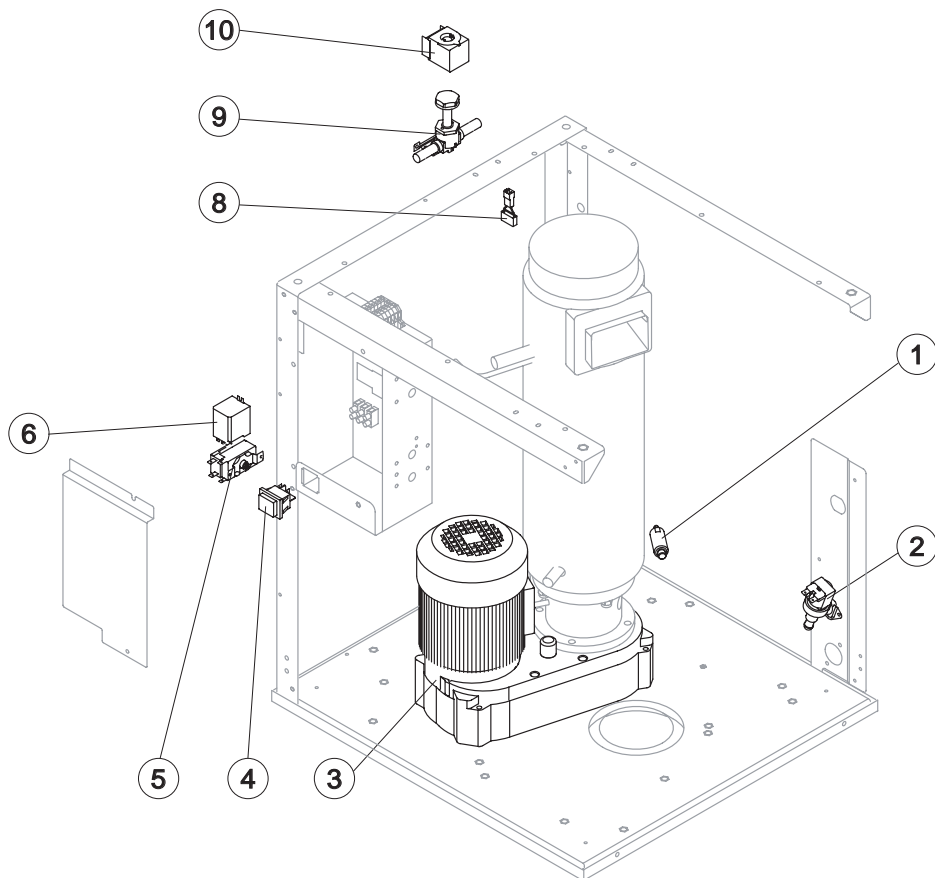
Ref.	Spare Description	Code
1	Top	221518
2	Back Panel	221513
3	Back Grill	D12091
4	Right Side Panel	221519
5	Side Grid	D12092
6	Front Panel	221511
7	Left Side Panel	221515



Ref.	Spare Description	Code
1	Insulating Cap	18165
2	Closing Disk	22670
3	Seeger	20116
4	Stainless Steel Screw	20664
5	Shimming Disk	22829
6	Self-Lubricating Disk	20639
7	Stainless Steel Thrust Bearing	20685
8	OR Gasket 4137	20689
9	Ice Breaker	201231
10	Auger	20780
11	Ceramic Seal	20643
13	OR Gasket 4312 NBR	20205
14	Reduction Ring	20647
15	Stainless Steel Bearing	20113
16	Flange	20644
18	Semi-Joint Upper	D20642
19	Vibration-Damping Elastomer	20494
20	Semi-Joint Lower	D20493
22	Evaporator Assy	C11113
23	Insulating Cap	18181



Ref.	Spare Description	Code
1	Expansion Valve	20734
2	Orifice	20943
3	Discharge Manifold	10580
4	Ice Outlet Pipe with Bin bulb holder	C10657
5	Locking Exhaust Strip	25049
6*	Double Switch Basin Assembly	C10730
8	Microswitch	23055
9*	Ice Exhaust Assy with Micro	C10585



Ref.	Spare Description	Code
1	Rotation Sensor	231028
2*	1 Way- Water Inlet Valve	23115
3	Gearmotor	23638
4*	Green Light Switch (On-Off)	23327
5*	Bin Thermostat	R231035
6	Relay	23190
8	Anti Radio Interference Filter	C23457
9	Hot Gas Valve Body	20409
10	Hot Gas Valve Coil	231294