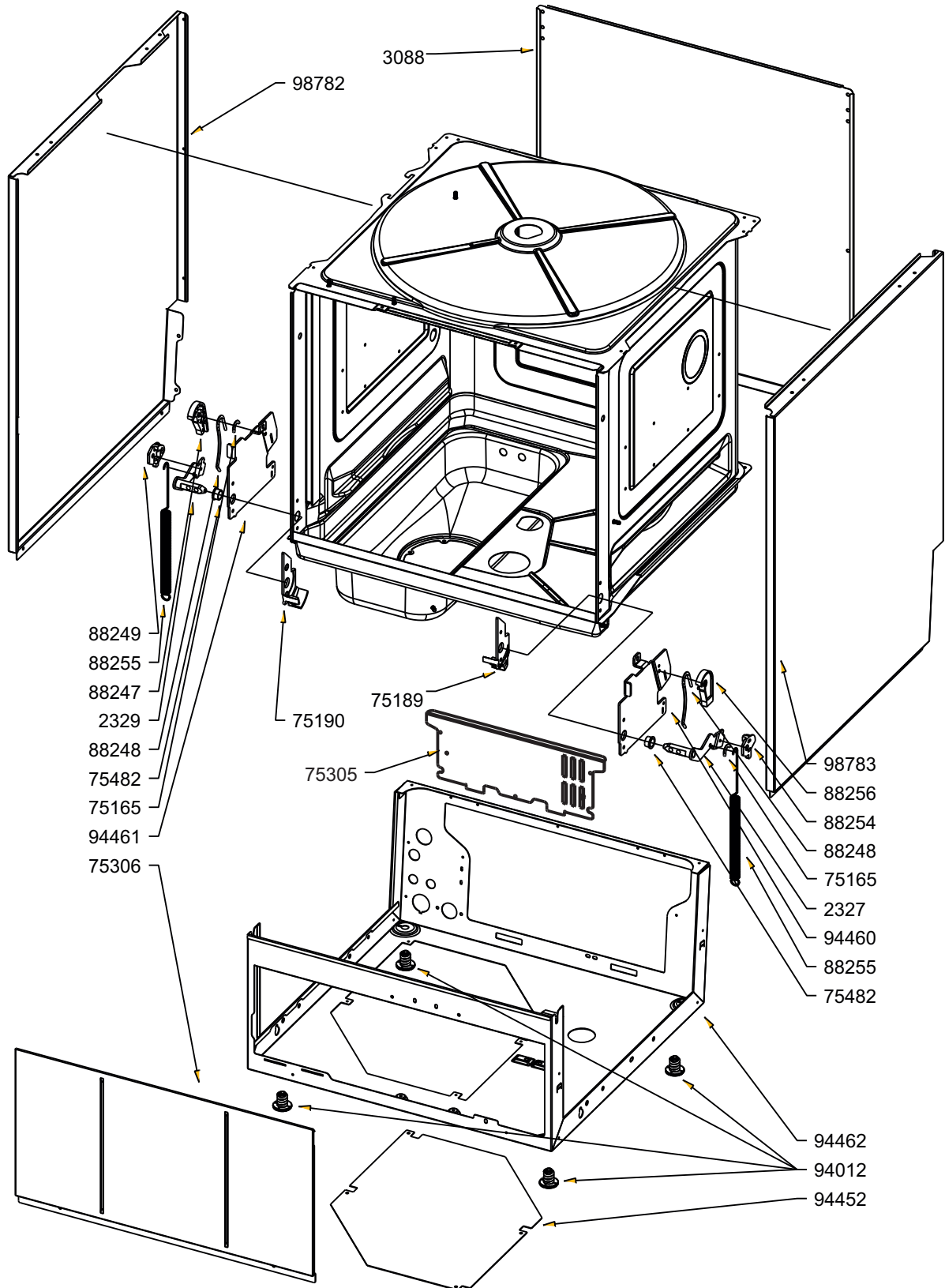


RICAMBI CONSIGLIATI

RECOMMENDED PARTS

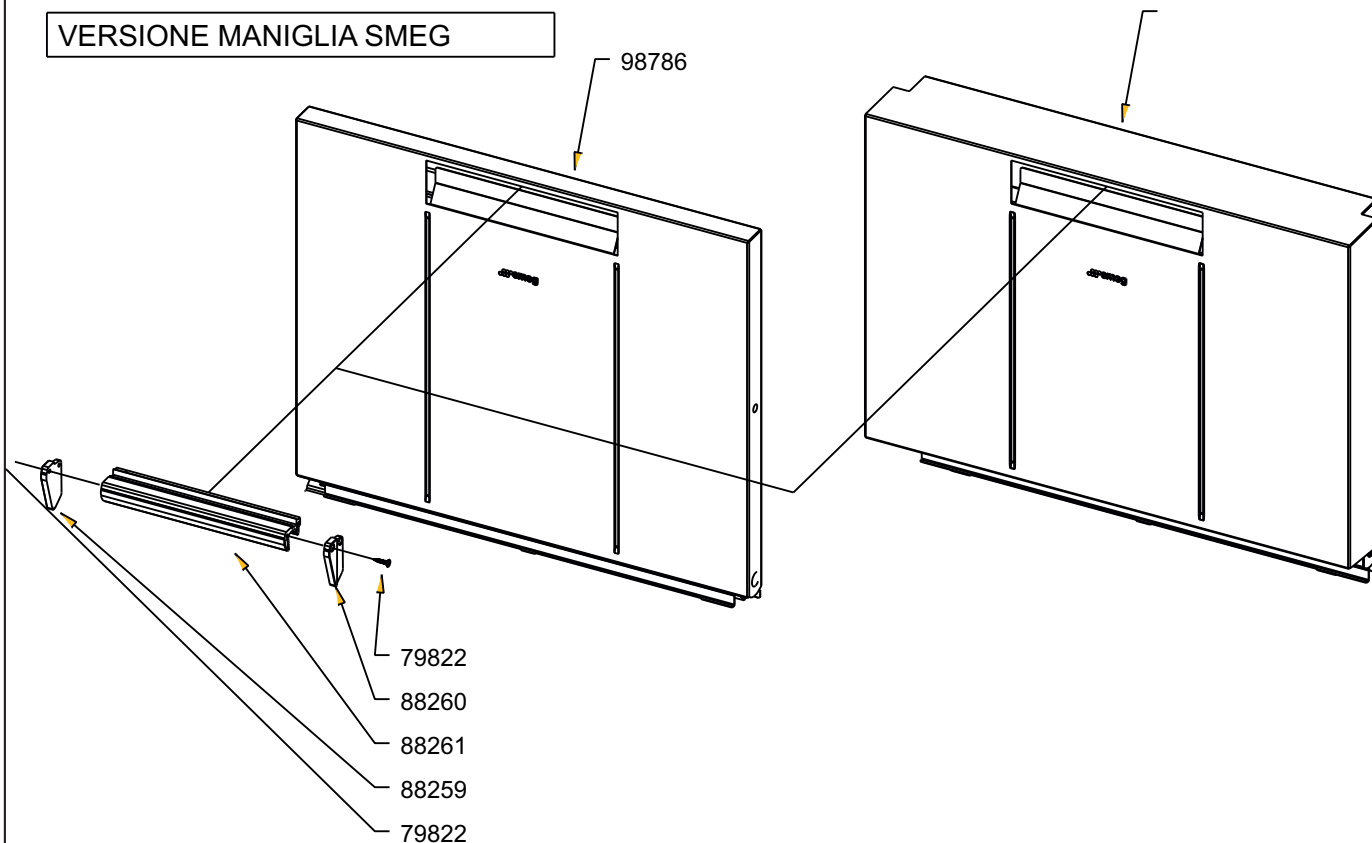
PIECES DE RECHANGE
RECOMMANDEES

EMPFOHLENE ERSATZEILE



VERSIONE MANIGLIA SMEG

98786



79822

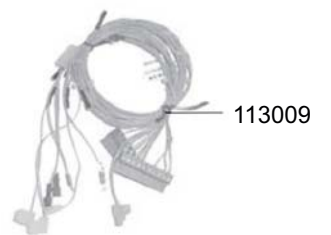
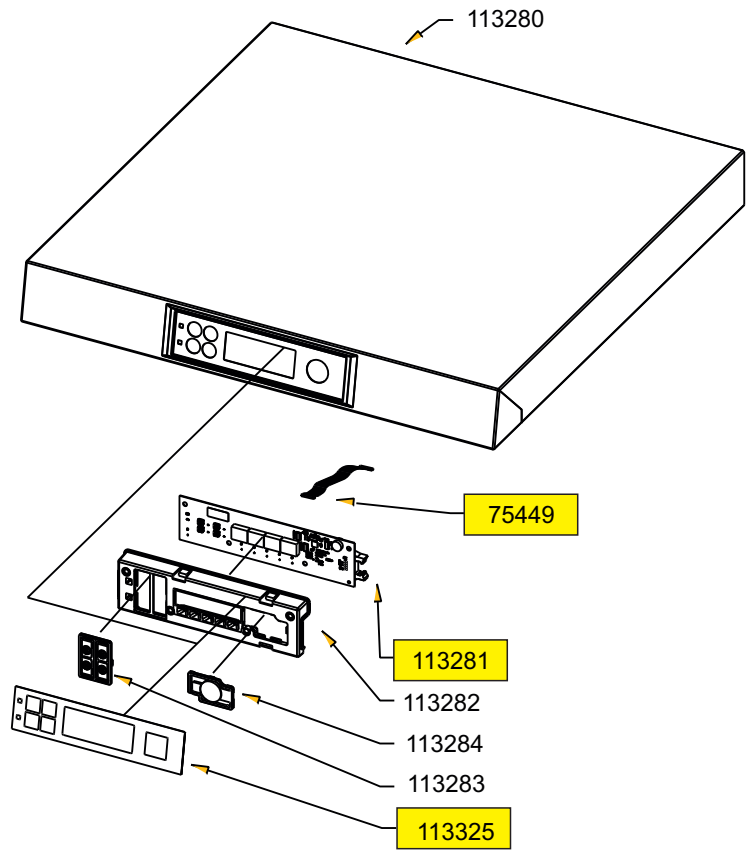
88260

88261

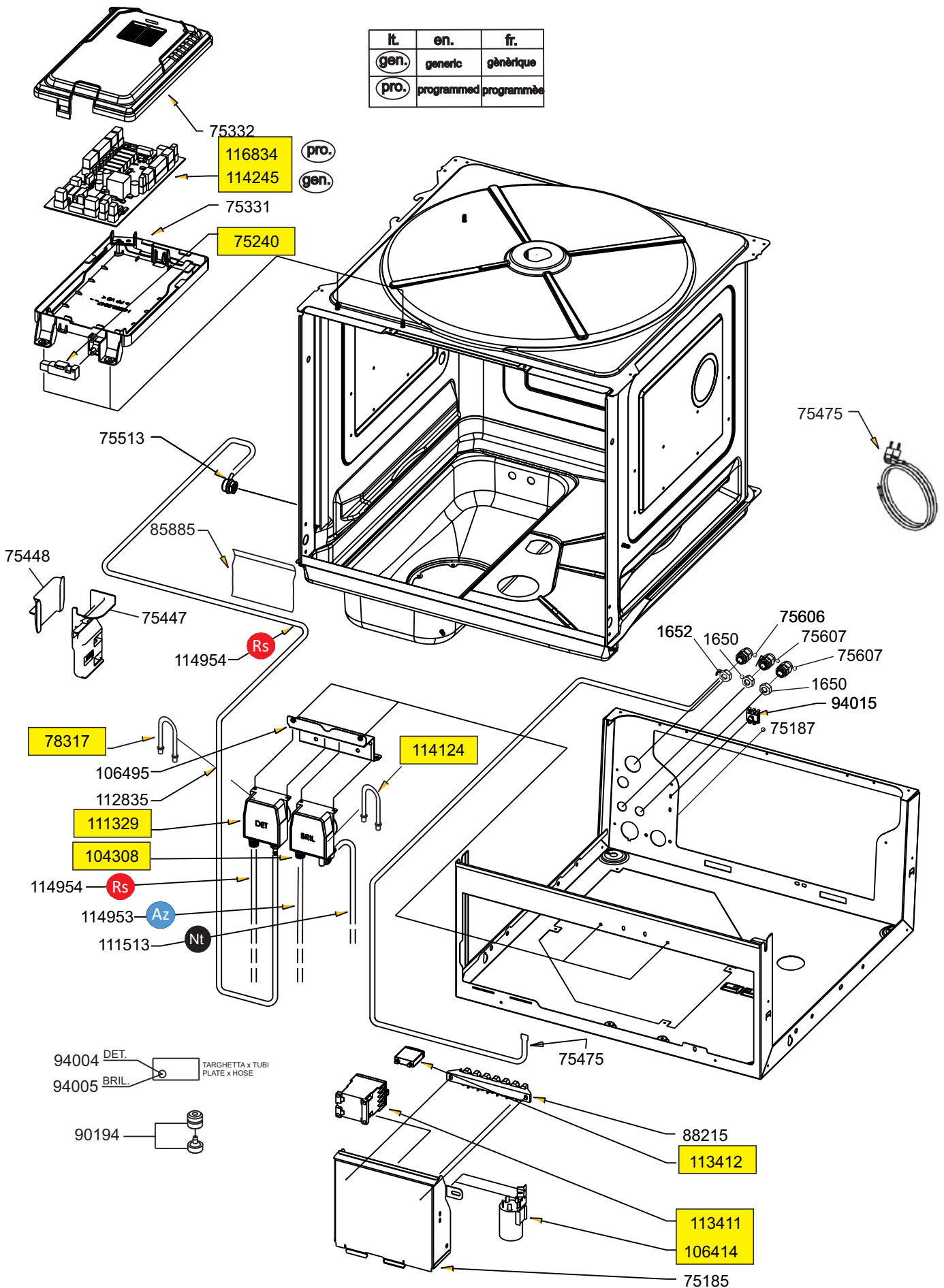
88259

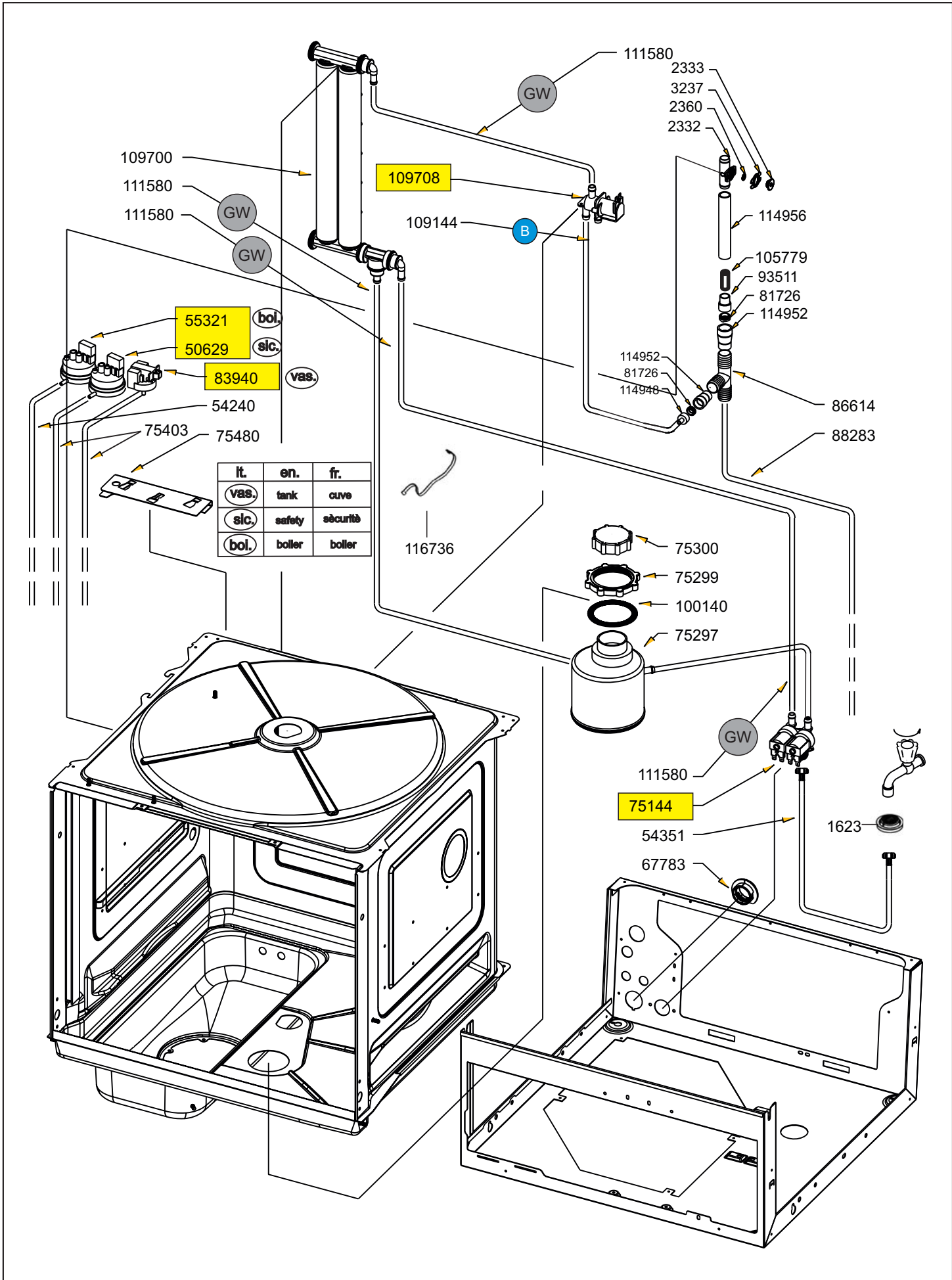
79822

VERSIONE EASY 2016

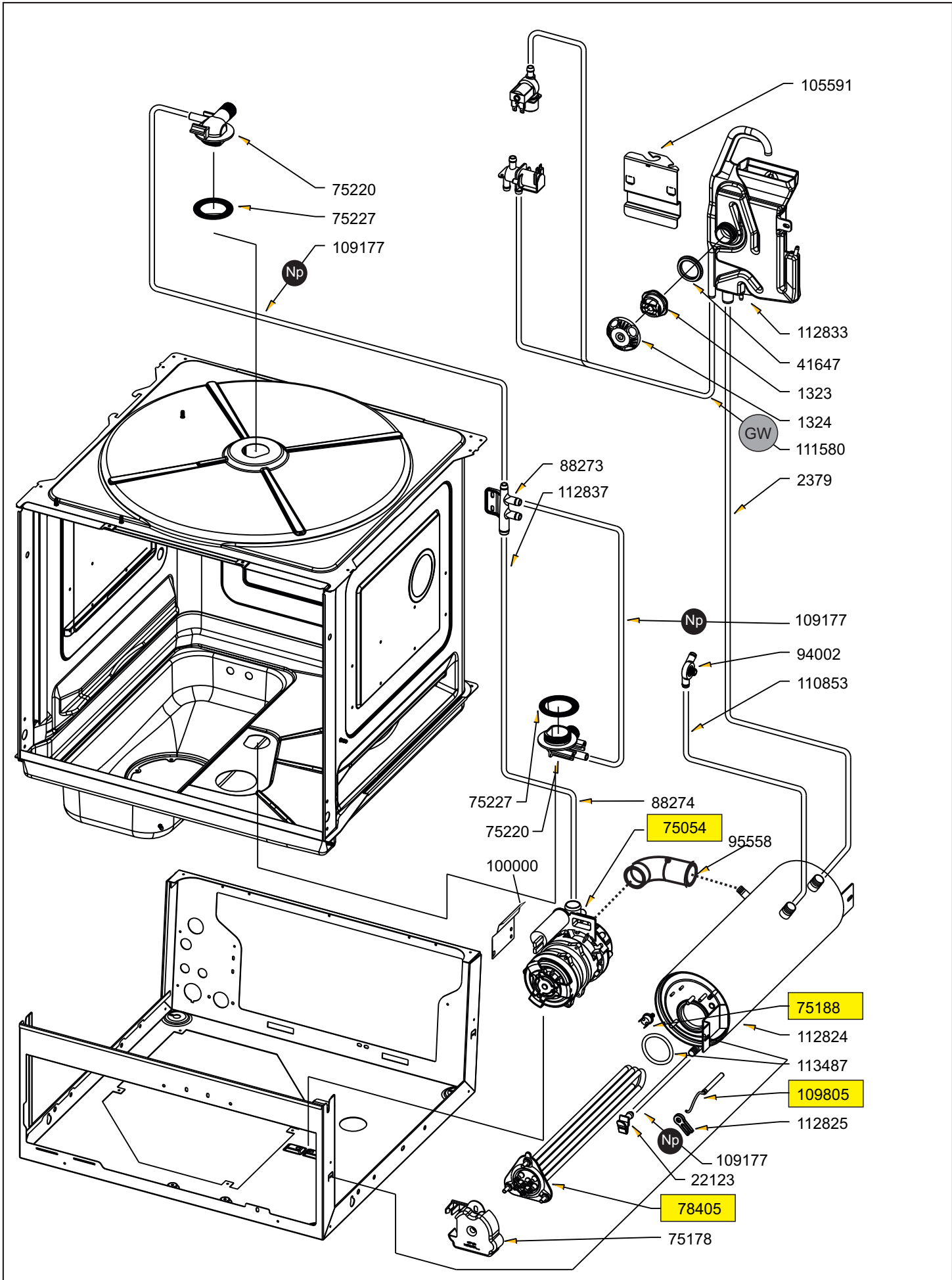


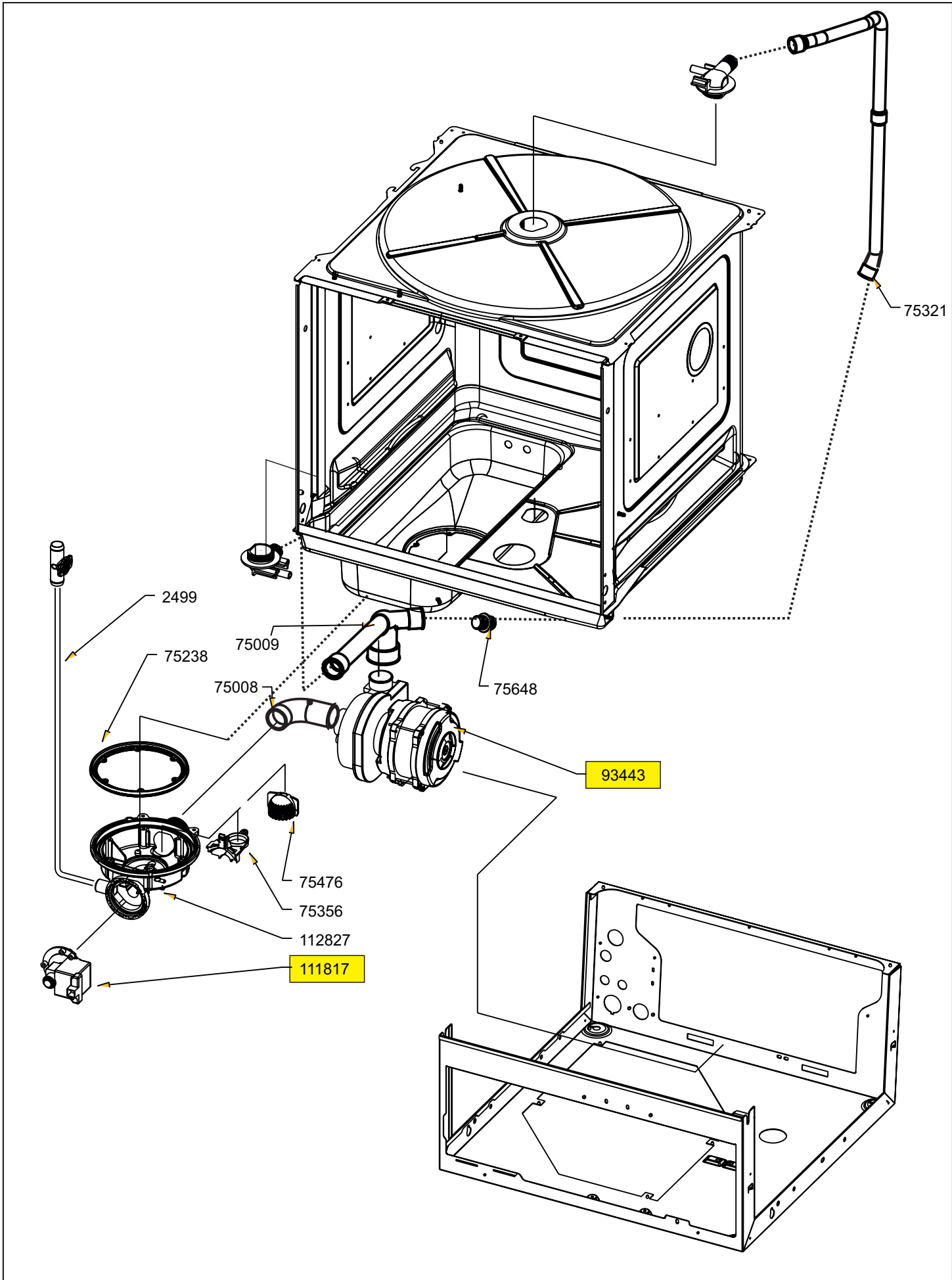
it.	en.	fr.
gen.	generic	générique
pro.	programmed	programmée

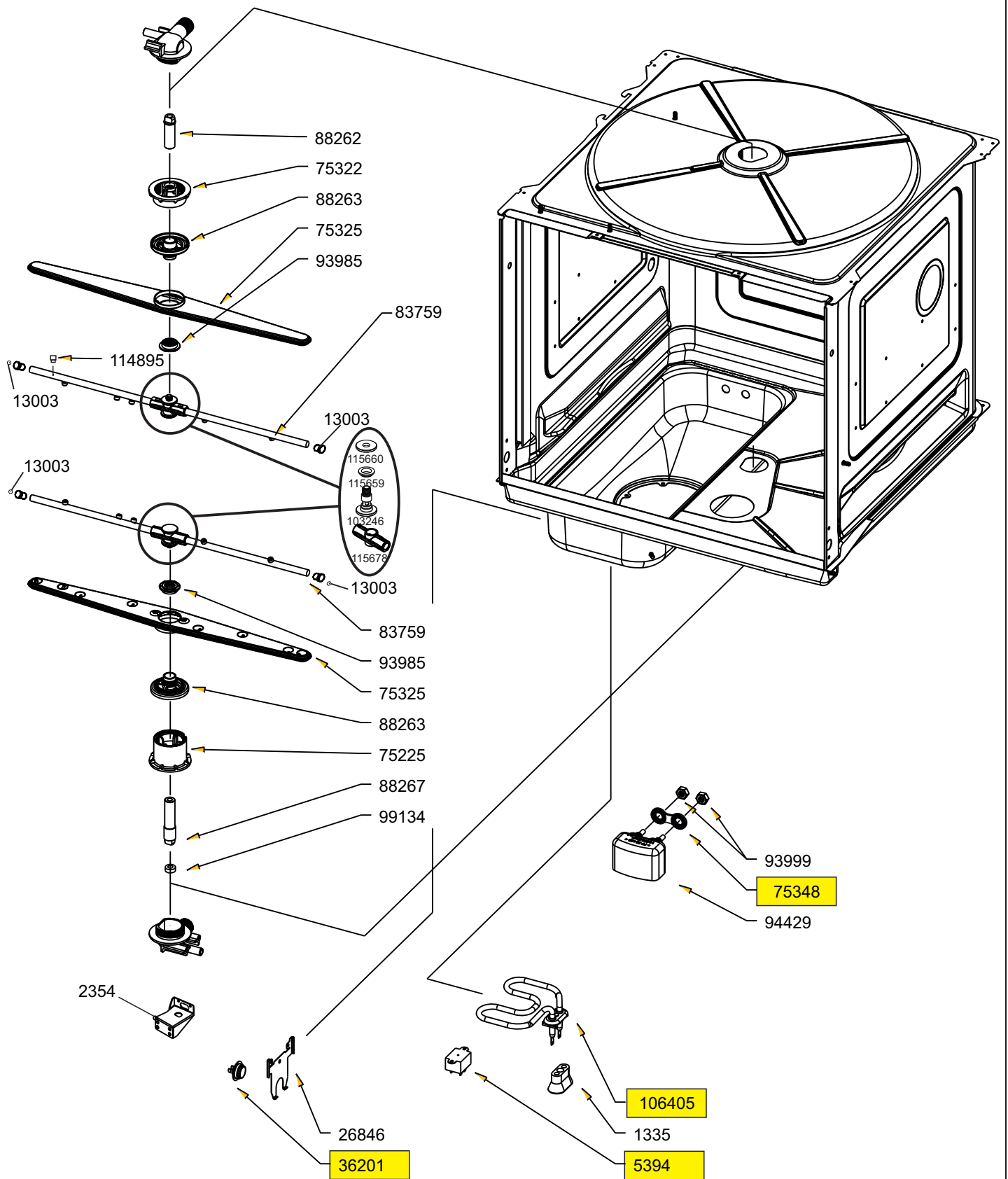


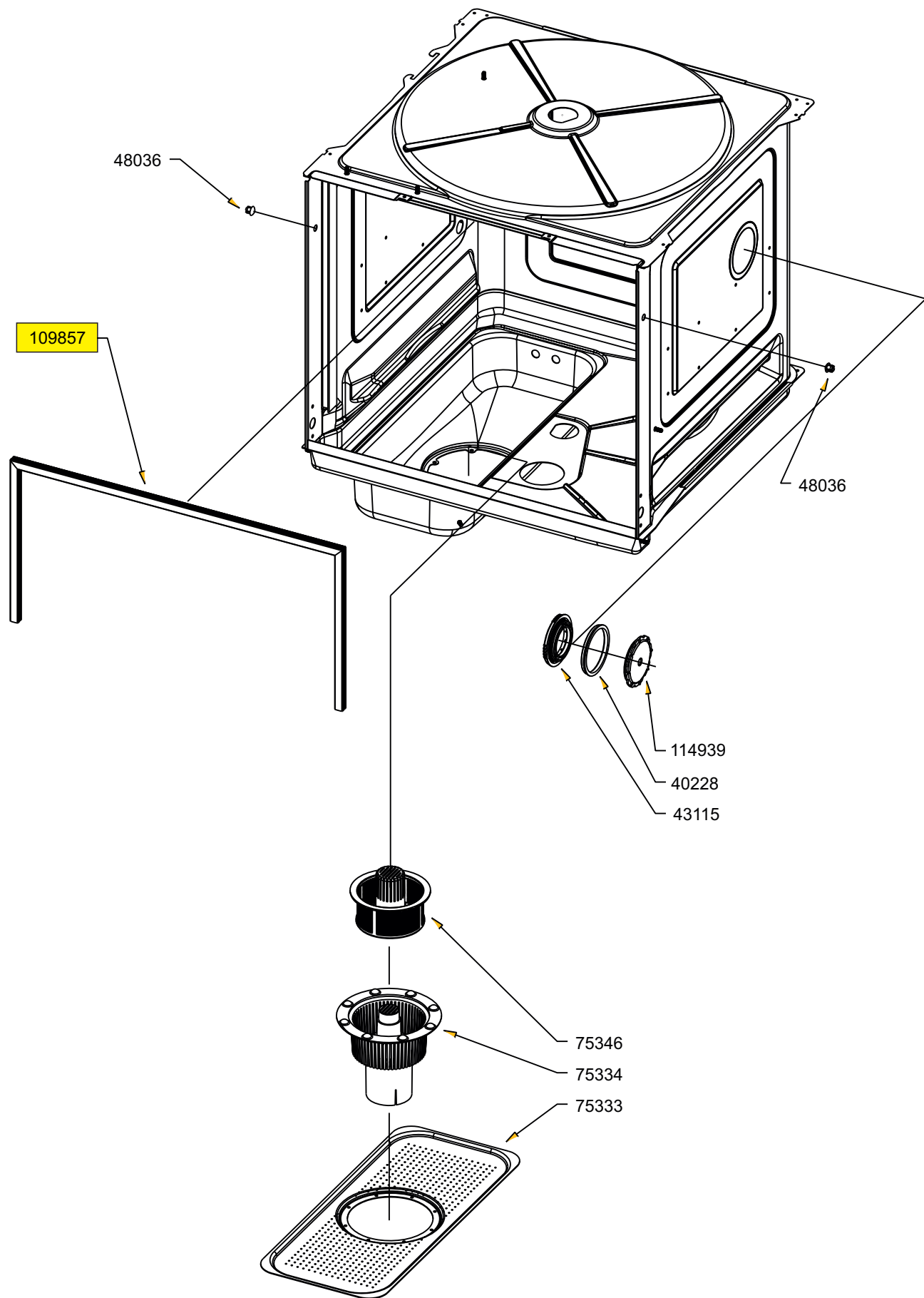


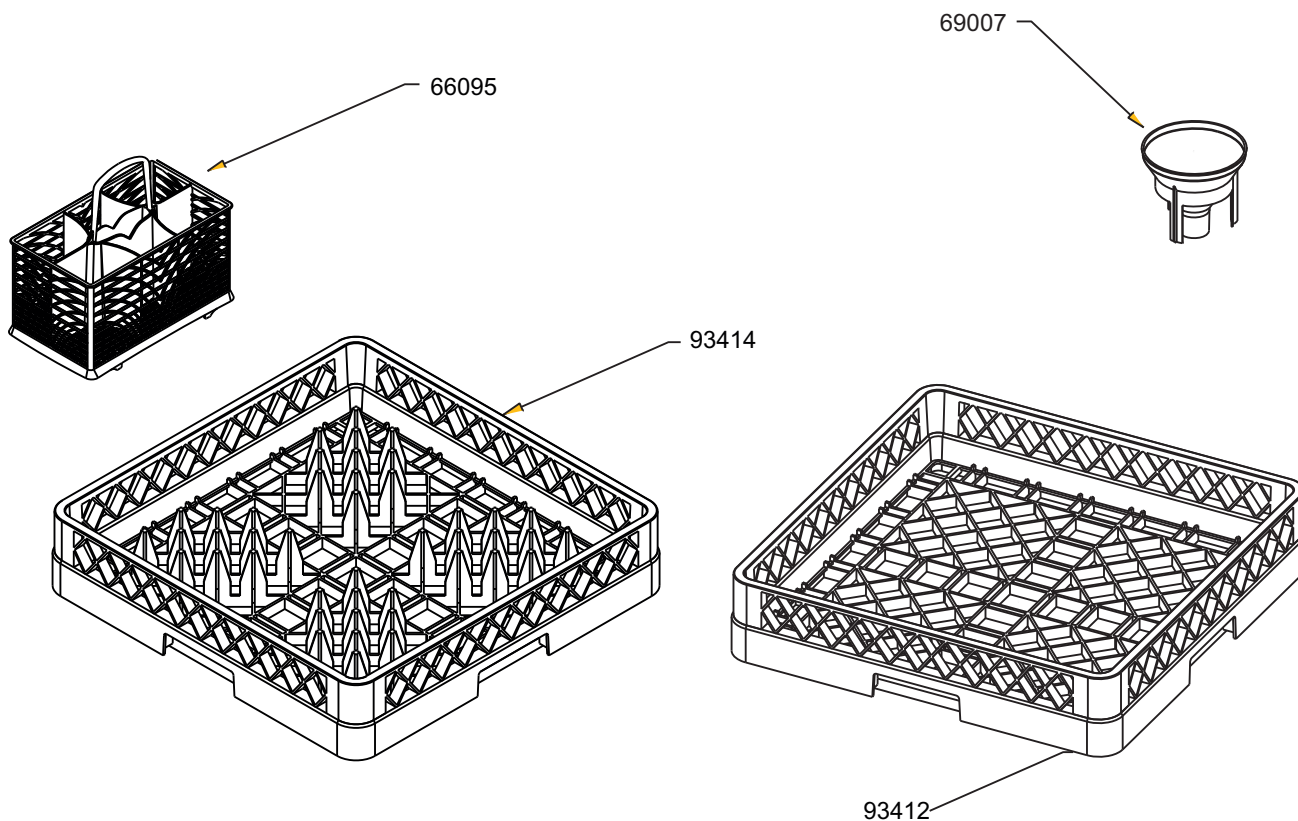
it.	en.	fr.
vas.	tank	cuve
sic.	safety	sécurité
bol.	boiler	boiler











TUBI/HOSE/TUYAU/SCHLAUCH			
TYPE	CODE	N.POS.	Qt./Mt.
Gw	758975183	111580	5
Nt	758975181	111513	5
B	758975033	109144	5
Nd	758975036	109178	5
Np	758975035	109177	5
Wt	758975034	109176	5
Az	758975317	114953	5
Rs	758975318	114954	5