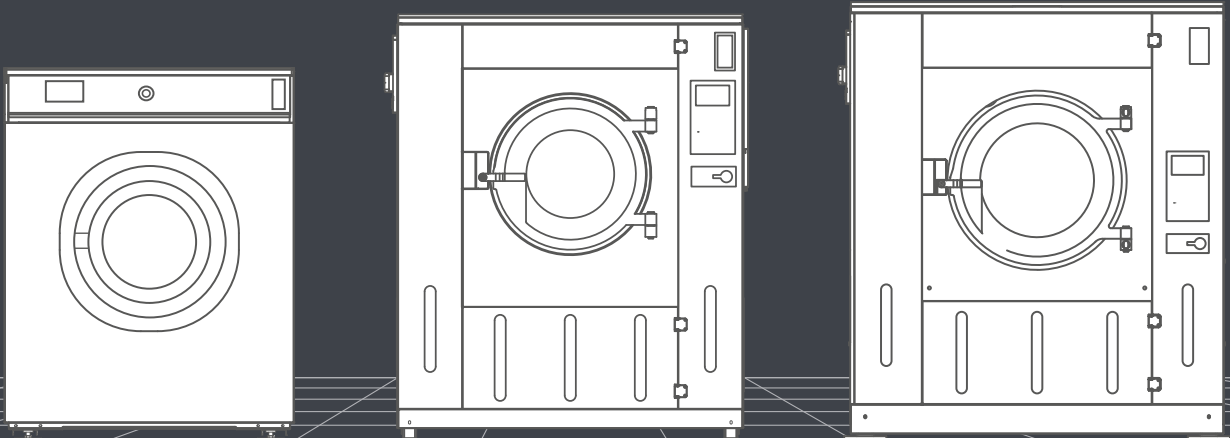


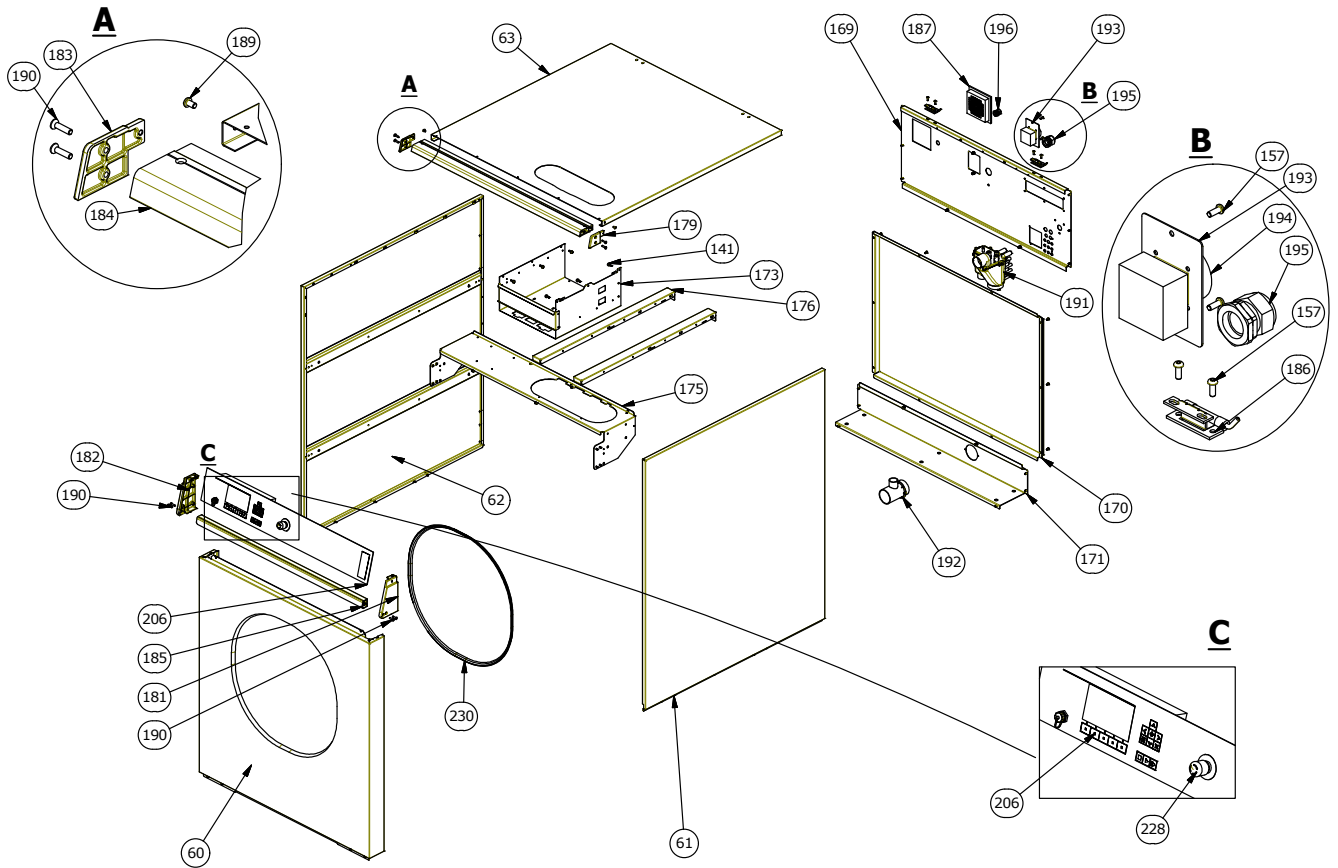
TOLON

Spare Parts List



TWE40

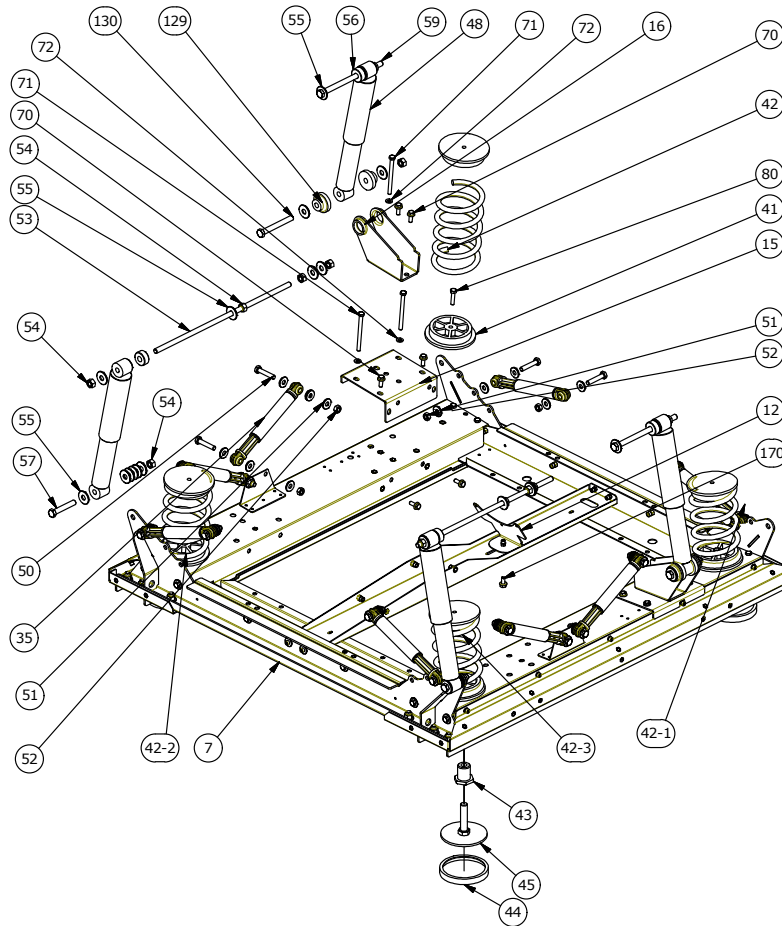
WE40 PANELS



Item	Part Number	Description	RSP
60	TY05056	Panel Front	
61	TY05049	Panel Right Side Painted	
62	TY05041	Panel Left Side Painted	
63	TY05057	Panel Top	
141	TH0080030061	Bolt M6x16	
157	TH0080220026	Bolt M6x15 Torx	
169	TY05039	Panel Rear Top	
170	TY05147	Panel Rear Middle	
171	TY05038	Panel Rear Bottom	
173	TY05042	Electric Cabinet	
175	TY05028	Panel Detergent Box Support	
176	TY05029	Support Detergent Box and Electric Cabinet	
179	TH0470130010	Top Panel Fixing Plate Left Side	
181	TH0470130031	Controller Guide Left Side	
182	TH0470130029	Controller Guide Right Side	
183	TH0470130030	Top Panel Fixing Plate Right Side	
184	TH0040010147	Top Panel Guide Middle	
185	TH0040010148	Controller Guide Middle Front	
186	TH0360030024	Hinge Panel	
187	TH0250510001	Air Filter House for Cooling Fan	
189	TH0080050109	Bolt M6x16 Inbus	
190	TH0080180221	Bolt Inbus M6x25 Inbus Stainless	
191	TY9659	Detergent Inlet Port	E/S
192	TH0510020050	Drain Outlet	E/S
193	TY05150	Main Switch Plate	
194	TH0250070046	Main Switch	E
195	TH0250110005	Cable Holder 29mm	
196	TH0250110002	Cable Holder 13.5mm	
206	TH0260400108	Controller WE40	E/S
228	TH0250150017	Emergency Stop Button	E/S
230	TH0360520031	U Type Rubber Cover Front Panel	

RSP: Recommended Spare Part

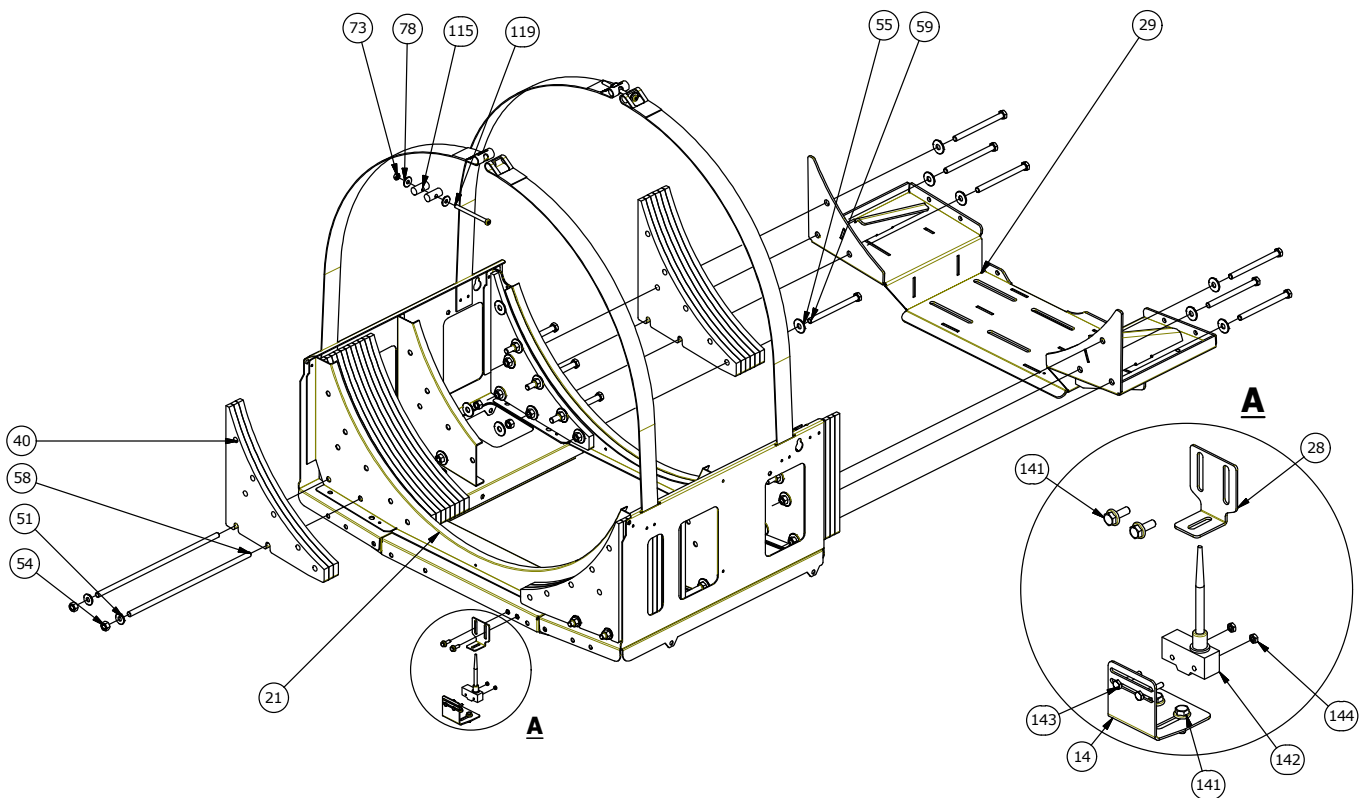
WE40 BOTTOM FRAME & SUSPENSION



Item	Part Number	Description	RSP
7	TY05085	Lower Frame Complete	
12	TY05022	Cooling Fan Holder	
15	TY00075	Rear Shock Absorber Mounting Plate	
16	TY05084	Rear Shock Absorber Mounting	
35	TH0120010012	Shock Absorber Small	E/S
41	TH0990990071	Spring Holder	E/S
42	TH0090010095	Spring Compression Back Right (Not Available - Cancelled)	E/S
42-1	TH0090010106	Spring Compression Back	E/S
42-2	TH0090010094	Spring Compression Front	E/S
42-3	TH0090010105	Spring Compression Front Left (Not Available - Cancelled)	E/S
43	TY00079	Foot Mounting	
44	TH0360520006	Foot Rubber	
45	TY00081	Adjustable Feet	E/S
48	TH0120010003	Shock Absorber Big	E/S
50	TH0080040013	Bolt M10x50	
51	TH0080090003	Washer 3/8" Thick	
52	TH0080070037	Nut M10 Fiber	
53	TH0080190041	Counterweight Connector M12	
54	TH0080070012	Nut M12	
55	TH0080090004	Washer 1/2" Thick	
56	TY05178	Spacer for Big Shock Absorber	
57	TH0080040016	Bolt M12x75	
59	TH0080040088	Bolt M12x200	
70	TH0080220004	Bolt M8x20 Flanged	
71	TH0080040048	Bolt M8x100	
72	TH0080070033	Nut Fiber M8	
80	TH0080030018	Bolt M8x35	
129	TH0360520012	Rubber Joint for Big Shock Absorber	E/S
130	TH0080040032	Bolt M12x100	
170	TH0080220002	Bolt Flanged M6x16	

RSP: Recommended Spare Part

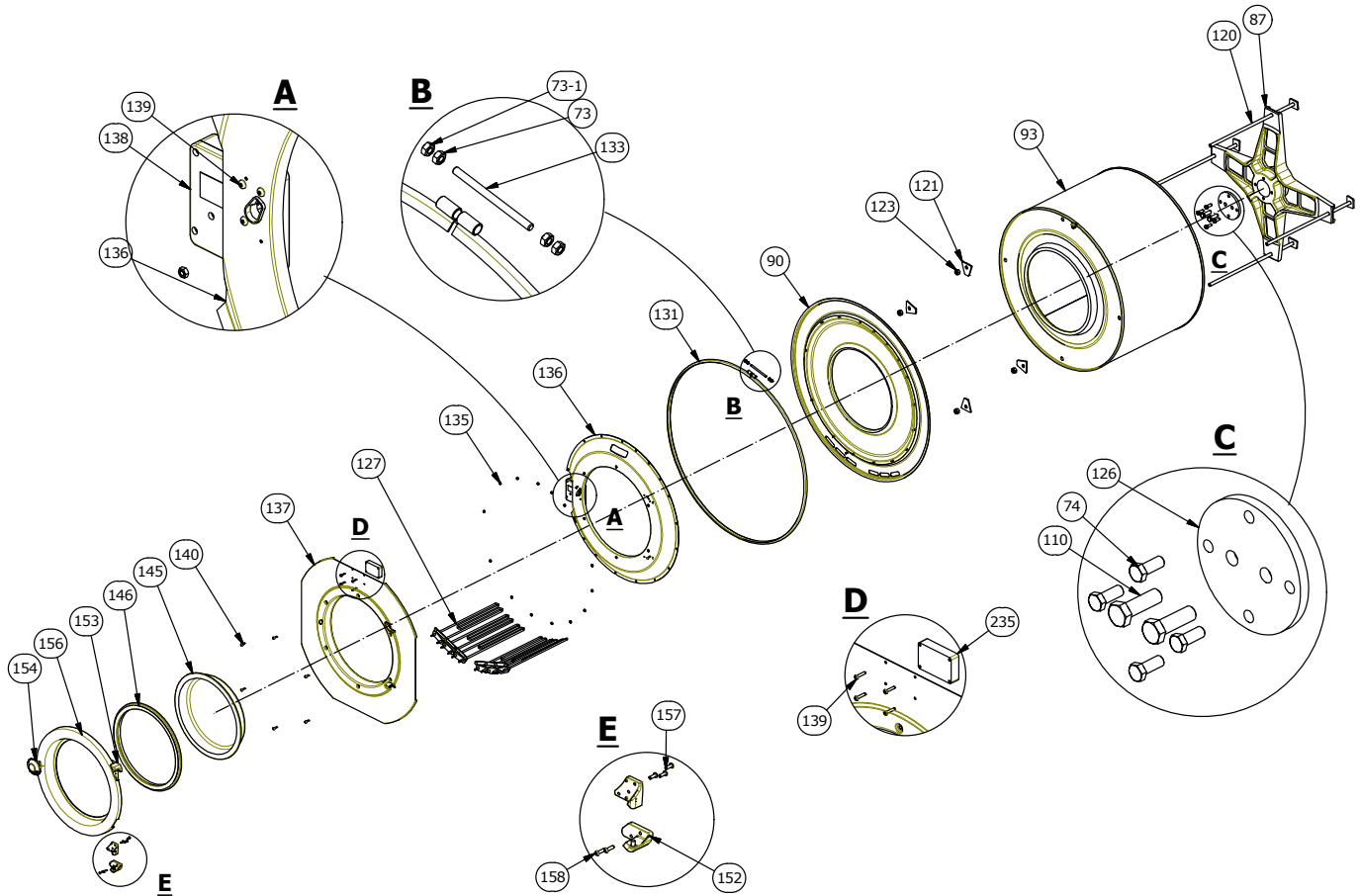
WE40 UPPER FRAME



Item	Part Number	Description	RSP
14	TY05025	Unbalance Switch Holder (Not Available - Cancelled)	
21	TY9624	Frame Upper	
28	TY05157	Unbalance Switch Guide (Not Available - Cancelled)	
29	TY05081	Motor Mounting Plate	
40	TY05148	Counterweight WE40	
51	TH0080090003	Washer 3/8" Thick	
54	TH0080070031	Nut M12 Fiber	
55	TH0080090004	Washer 1/2" Thick	
58	TH0080190042	Bolt Counterweight Connection Front	
59	TH0080030083	Bolt Counterweight Connection Rear	
73	TH0080070033	Nut M8 Fiber	
78	TH0080090002	Washer 5/16" Thick	
115	TY00158	Drum Shackle Shaft	
119	TH0080040081	Bolt M8x100 Inbus	
141	TH0080220002	Bolt Flanged M6x16	
142	TH0260220066	Unbalance Switch (Not Available - Cancelled)	E/S
143	TH0080030087	Bolt M4x30 (Not Available - Cancelled)	
144	TH0080070021	Nut M4 (Not Available - Cancelled)	

RSP: Recommended Spare Part

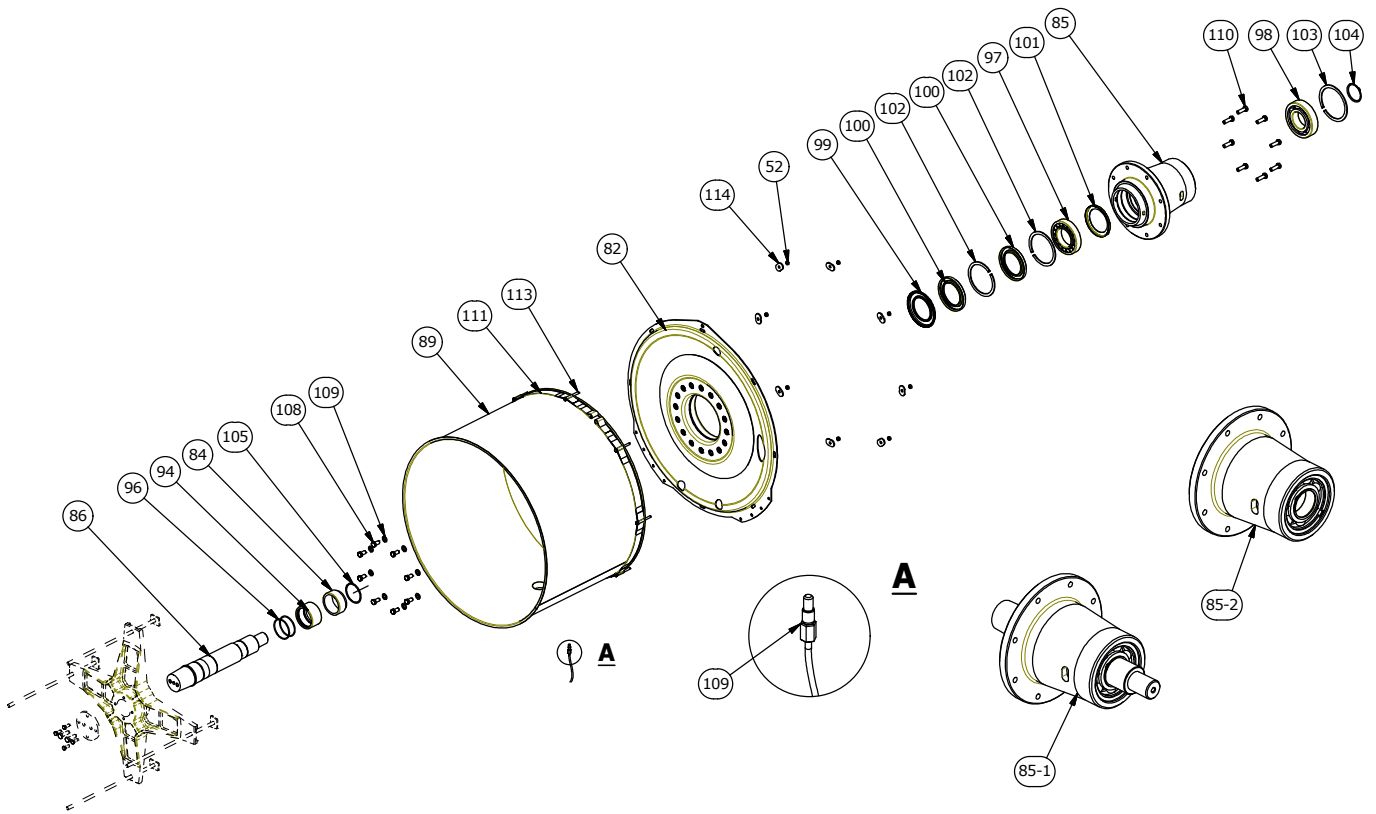
WE40 OUTER DRUM & DOOR ASSEMBLY



Item	Part Number	Description	RSP
73	TH0080070033	Nut M8 Fiber	
73-1	TH0080070007	Nut M8	
74	TH0080060055	Bolt M12x25	
87	TH0470040005	Spider Web Inner Drum WE40	
90	TY05142	Drum Front Outer Plate	
93	TY05102	Drum Inner Complete	
110	TH0080060025	Bolt M16x40	
120	TY05134	Drum Inner Support Shaft	
121	TH0010040424	Inner Drum Front Rod Support	
123	TH0080080006	Nut M16 Stainless	
126	TY0010040419	Drum Support Flange	
127	TH0210010007	Heater M Type Electric WE40	E
131	TY05143	Drum Outer Clamping Ring	
133	TH0080190037	Drum Outer Clamping Ring Bolt	
135	TH0080080121	Nut M6 Flanged Fiber	
136	TY05126	Spacer Panel for Loading Door	
137	TY05207	Outer Drum Cover	
138	TY00085	Door Lock Complete	
139	TH0270040015	Bolt M5	
140	TH0080060326	Bolt M6x10 Inbus Stainless	
145	TH0310020022	Loading Door Glass	E/S
146	TH0320010032	Loading Door Seal	E/S
152/153	TSY00600	Loading Door Hinge Alignment Kit TWE 10-15-18-24-28-40	E/S
154	TH0360010239	Loading Door Knob + Rod	
156	TH0150020018	Loading Door	
157	TH0080050130	Bolt M6X16 Inbus Stainless	
158	TH0080050131	Bolt M6X20 Inbus Stainless	
235	TH0370010020	Balance Reader BR-01	E/S

RSP: Recommended Spare Part

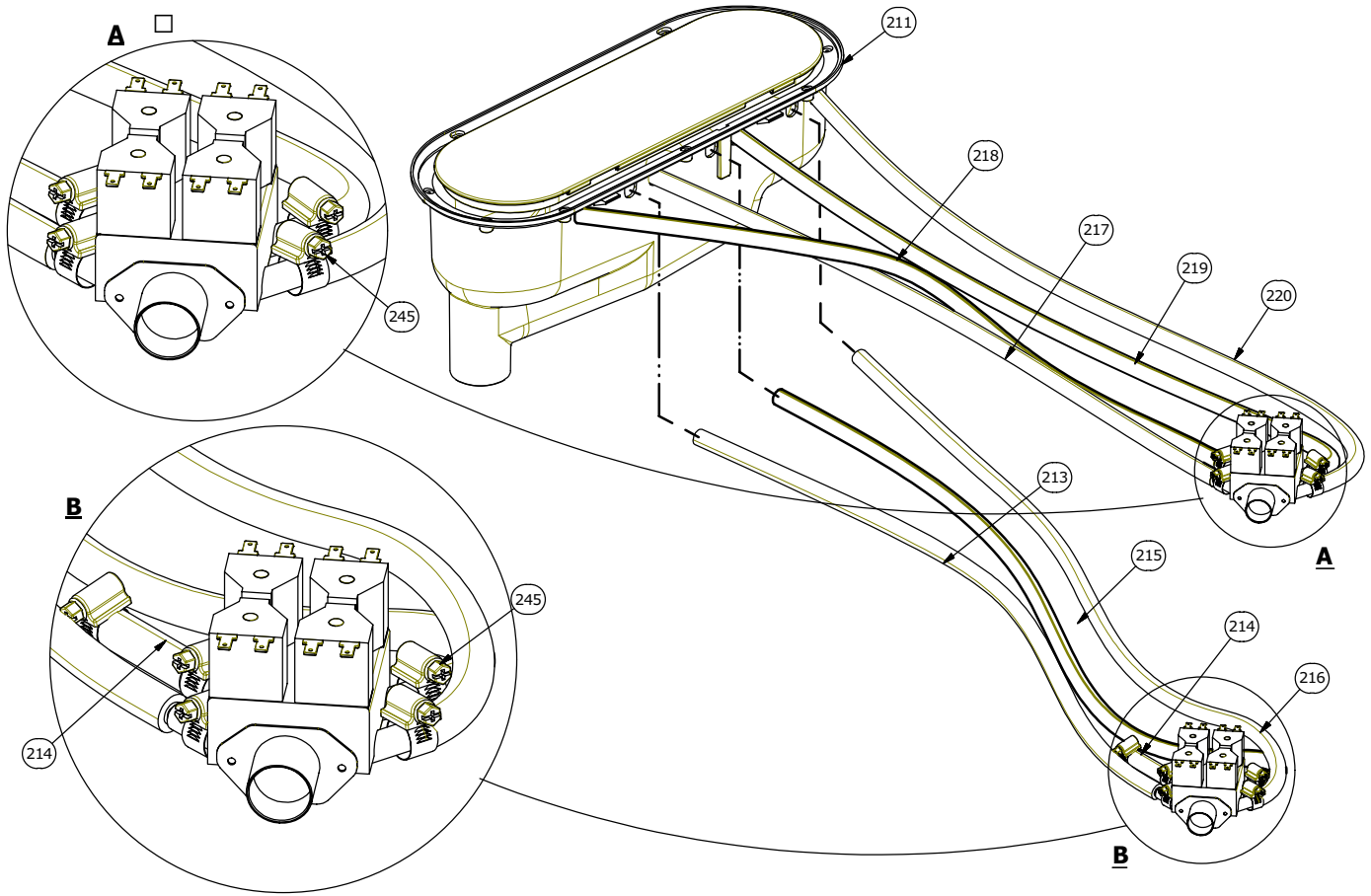
WE40 INNER DRUM & ASSEMBLY



Item	Part Number	Description	RSP
52	TH0080070037	Nut M10 Fiber	
82	TY05110	Back Plate WE40	
84	TH0510020119	Spacer Aluminium	
85	TY05111	Bearing Housing WE40	
85-1	TY05215	Complete Bearing House With (+) Shaft	E/S
85-2	TY05112	Complete Bearing House Without (-) Shaft	
86	TY05087	Shaft WE40	
89	TY05113	Drum Outer	
94	TH0020020139	Seal Working Surface Ring Ceramic	
96	TH0320040015	O-Ring	
97	TH0230020042	Bearing Front	
98	TH0230010129	Bearing Rear	
99	TH0140010118	Front Seal Viton	E/S
100	TH0140010111	Seal Front Inner	E/S
101	TY05031	Grease Holder	
102	TH0240020027	Circlips 180 (inner)	
103	TH0240020028	Circlips 190 (inner)	
104	TH0240010018	Circlips 90 (outer)	
105	TH0240010049	Retaining Washer	
108	TH0080060025	Nut M16x40	
109	TH0260420011	Temperature Sensor	E/S
110	TH0080030062	Bolt M16x60	
111	TY05033	Back Plate Connection Ring	
113	TH0080030051	Bolt M10x90	
114	TY00152	Back Plate Connection Washer	

RSP: Recommended Spare Part

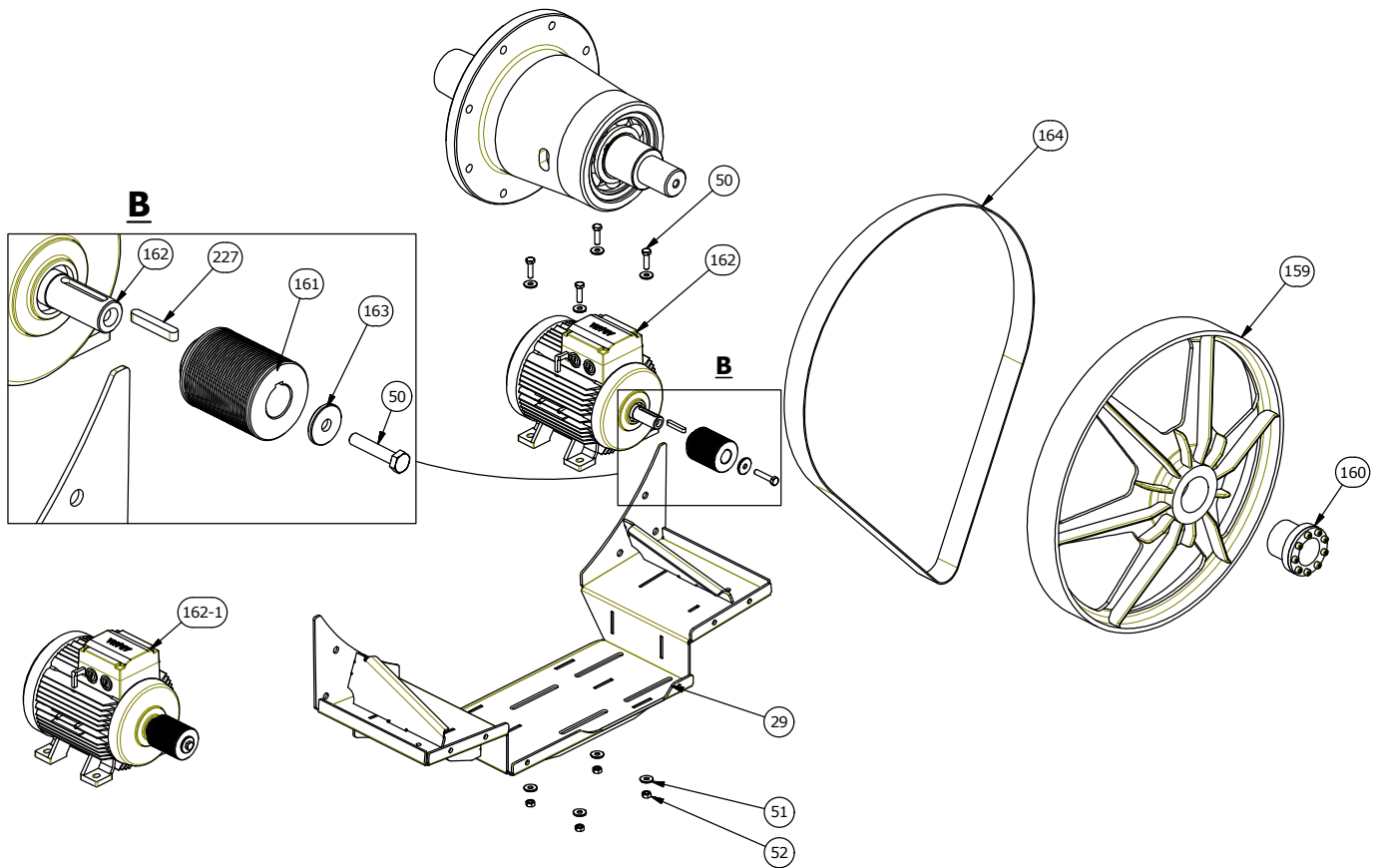
WE40 DETERGENT BOX ASSEMBLY



Item	Part Number	Description	RSP
211	TY00084	Complete Detergent Box	E/S
213	TH0130120001	Hose Detergent Box Inlet 1	E/S
214	TH0130120001	Hose Detergent Box Inlet 2	
215	TH0130120001	Hose Detergent Box Inlet 3	
216	TH0130120001	Hose Detergent Box Inlet 4	
217	TH0130120001	Hose Detergent Box Inlet 5	
218	TH0130120001	Hose Detergent Box Inlet 6	
219	TH0130120001	Hose Detergent Box Inlet 7	
220	TH0130120001	Hose Detergent Box Inlet 8	
245	TH0100010046	Hose Clamp 12x20	

RSP: Recommended Spare Part

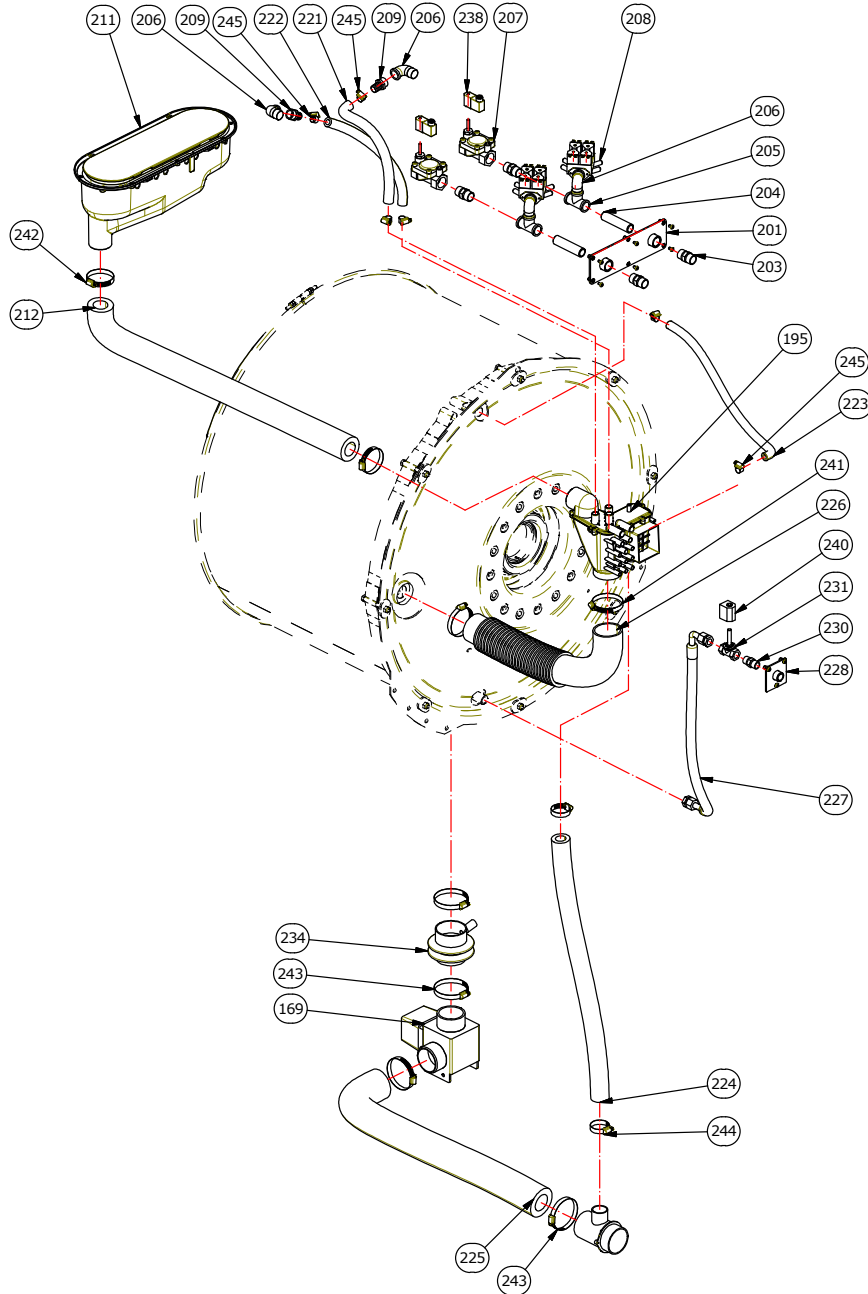
WE40 DRIVE SYSTEM ASSEMBLY



Item	Part Number	Description	RSP
29	TY05081	Motor Mounting Plate	
50	TH0080030023	Bolt M10x35	
51	TH0080090003	Washer 3/8" Thick	
52	TH0080070037	Nut M10 Fiber	
85	TH0470060021	Complete Bearing Hose with Main Shaft	E/S
159	TH0470060017	Pulley Drum WE40	
160	TH0300020013	Pulley Shaft Lock WE40	
161	TY05154	Pulley Motor WE40	
162	TH0200020206	Drive Motor WE40	
162-1	TY05214	Complete Motor Assembly	E/S
163	TY05178	Washer Motor Pulley	
164	TH0160010182	Belt WE40	E/S
227	TH0060040524	Drum Wedge (Not Available - Cancelled)	

RSP: Recommended Spare Part

WE40 DRAIN & HOSE ASSEMBLY



Item	Part Number	Description	RSP
169	TH0370030019	Drain Valve 3"	E/S
195	TY9659	Liquid Detergent Inlet Port with Air Breaker	E/S
201	TY05183	Water Inlet Plate	
203	TH0030120002	Straight Connector 3/4"	
204	TH0020050007	Spacer Water Valves 3/4"	
205	TH0030070002	T Connection 3/4"	
206	TH0030030008	Elbow 90 3/4"	
207	TH0110010101	Solenoid Valve Water 3/4"	E/S
208	TH0110010316	Water Inlet Valve 4 Way	E/S
209	TH0030150002	Hose Connection 3/4"	
211	TY00084	Detergent Box Complete	
212	TH0130010045	Hose Ø60 120x960mm	E/S
221	TH0130010002	Hose Water Inlet 3/4"	
222	TH0130010002	Hose Water Inlet 3/4"	
223	TH0130020039	Hose Air Breaker WE40 20x35x535	
224	TH0130020038	Hose Over Flow Ø75 150x700	E/S
225	TH0130020068	Hose L Type Ø75 150x700	E/S
226	TH0130020040	Hose Liquid Detergent Inlet Port to Drum	E/S
227	TH0130150186	Hose Flexible Steam	E/S
228	TY00064	Steam Inlet Connection Plate	
230	TH0030130101	Straight Connector 1/2"	
231	TH0110030118	Steam Valve Body Solenoid 1/2"	S
234	TH0130080020	Hose Drain 3"	E/S
238	TH0110020018	Coil Solenoid Water Valve	E/S
240	TH0260200005	Coil Solenoid Steam Valve	E/S
241	TH0010010049	Hose Clamp 80x100	E/S
242	TH0100010044	Hose Clamp 60x80	E/S
243	TH0100010045	Hose Clamp 70x90	E/S
244	TH0100010043	Hose Clamp 32x50	E/S
245	TH0100010046	Hose Clamp 12x20	E/S

RSP: Recommended Spare Part

