

- (A)** PCB R60 220/60
- (B)** POWER CORD PROTECT PG21
- (C)** POWER CORD 4X6 MM²
- (M)** R45 UL 10/7 220/60 MOTOR

INDEX	REF.	DESIGNATION	
2	59273	VCM G3 LID ARM SAFETY	
3	501258	R10-A/R20-A SAFETY SWITCH	
4	507250	NO 16A SAFETY SWITCH	
5	501424	SEALING RING SIMRI 20X30X	
6	118126	HINGE BUSH	
7	118255	HINGE FLAT SEAL	
8	59130	LID SUPPORT ASSEMBLY	
9	118100	LID SEAL VCM	
10	118101	LID SUPPORT VCM	
11	118132	ARM REED SWITCH VCM	
12	59131	ARM CLIP ASSEMBLY	
13	118573	SOFT LID COVER VCM	
37	118254	SWITCH SUPPORT	
38	59127	SAFETY SWITCH ASSEMBLY	
39	59148	R60 BOWL ASSEMBLY	
40	118171	COMPLETE SAFETY PLUG	
41	59222	R45/R60 SHAFT SEALS ASSY	
42	59168	SHAFT TOP SEAL RING ASSY	
43	118153	BOWL SEAL VCM	
44	507054	LIP SEAL	
45	507050	O RING	
46	59165	BOWL THRUST ASSEMBLY	
47	118595	BOWL SUPPORT VCM	
48	117928	R45/R60 SEALS SOCKET	
49	118251	R60 UPPER MOTOR COVER	
50	118174	MOTOR DEFLECTOR R45/R60	
51	117940	CASING ACCESS DOOR R45/60	
52	118257	SEAL DOOR R45/R60	
55	118127	ARM SAFETY WIRING	
56	59151	R60 PCB ASSEMBLY	
57	59162	R60 TILTING BACK BEARING	
58	118146	BACK TILTING PIVOT SPACER	
59	118147	BACK THRUST WASHER	
60	118148	BACK BEARING BUSH	
61	117959	TILTING THRUST	
62	507250	NO 16A SAFETY SWITCH	
63	117939	CASING R45/R60	
64	118186	CASING FOOT VCM	
65	59198	R45/60 MOTOR SUPPORT ASSY	
66	118157	MOTOR SUPPORT REED SWITCH	
67	119199	VCM BOWL SAFETY SWITCH	
68	119194	BOWL SAFETY SWITCH HARNES	
69	59223	TILTIND PIVOT STAPLE ASSY	
70	118298	R60 BOTTOM MOTOR COVER	

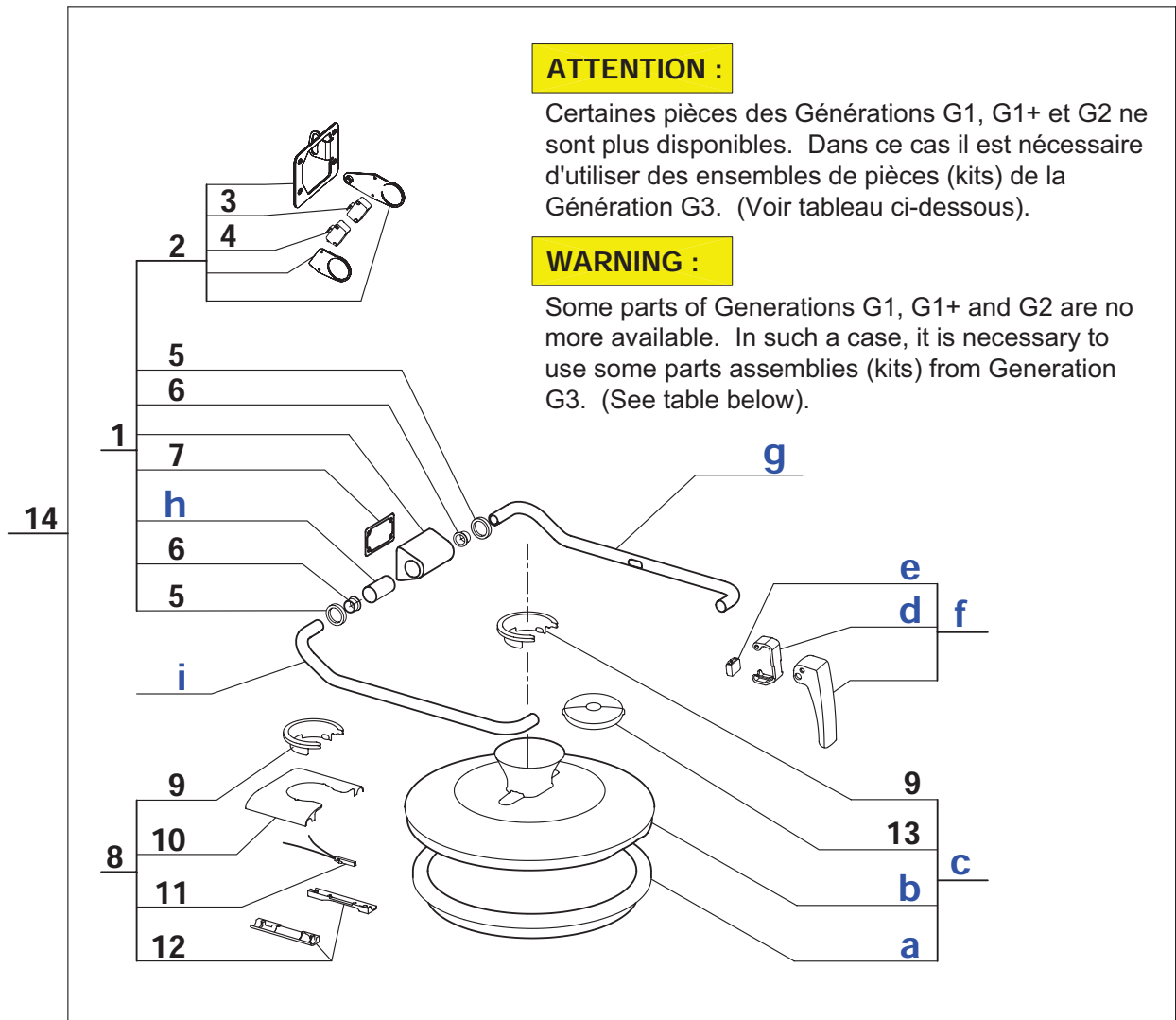
INDEX	REF.	DESIGNATION	
71	118150	SLEEVE BUSH	
72	118168	SLEEVE 132MM R60	
73	59163	R60 TILTING FRONT AXLE	
74	118191	R60 STAND	
75	117958	STAND FOOT VCM	
76	59161	R60 TILTING LOCKING ASS	
77	118142	HANDLE VCM	
78	208582	MOTOR SHAFT PIN	
79	118143	FRONT THRUST WASHER	
80	118144	FRONT HEASING BUSH	
81	118166	TILTING ADJUSTING NUT	
82	117956	PLUG VCM	
83	59208	R60 LID WIPER ASSEMBLY	
84	118227	LID WIPER NUT	
85	118228	WIPER GUIDE	
86	59239	R60 LID SOFT WIPER ASSY	
87	118223	R60 LID WIPER	
88	57091	R60 STRAIGHT BLADE	
89	57092	R60 COARSE SERRATED BLADE	
90	57095	R60 FINE SERRATED BLADE	
91	105906	R23/R30 PLASTIC WASHER	
92	105907	R45/R60 PLASTIC WASHER	
93	118207	PLASTIC WASHER R45	
94	118204	BLADE SPACER 14MM	
95	118205	BLADE SPACER 43MM	
96	117954	R60 STRAIGHT BLADE	
97	118245	R60 FINE SERRATED BLADE	
98	118290	R60 COARSE SERRATED BLADE	
99	117932	BLADE SUPPORT R45	
100	118268	R45 KNIFE TOOL	
101	119200	VCM BLADE DISMANTLING	

robot coupe

R60

Pricelist in : PLN

N°	M	Voltage	A	B	C
54063 11000	303103	440 / 60 / 3	119180	59160	504272
54134 10000	303064	400 / 50 / 3	117995	59167	101043
54135 10000	303122	220 / 60 / 3	117997	59167	101043
54138 10000	303132	380 / 60 / 3	117995	59167	101043
54166 11000	303103	400 / 50 / 3	119180	59160	504272
54167 11000	303072	220 / 60 / 3	119181	59167	101043
54168 11000	303137	380 / 60 / 3	119180	59160	504272
54169 11000	303072	230 / 50 / 3	119181	59167	101043



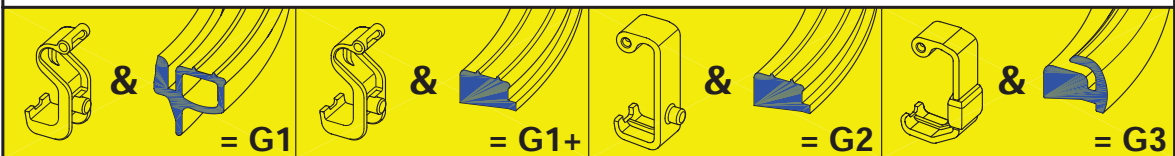
ATTENTION :

Certaines pièces des Générations G1, G1+ et G2 ne sont plus disponibles. Dans ce cas il est nécessaire d'utiliser des ensembles de pièces (kits) de la Génération G3. (Voir tableau ci-dessous).

WARNING :

Some parts of Generations G1, G1+ and G2 are no more available. In such a case, it is necessary to use some parts assemblies (kits) from Generation G3. (See table below).

Déterminer la génération de votre machine selon les formes du crochet et du joint de couvercle.
 Determine the generation of your machine according to the lid latch and lid seal shapes.

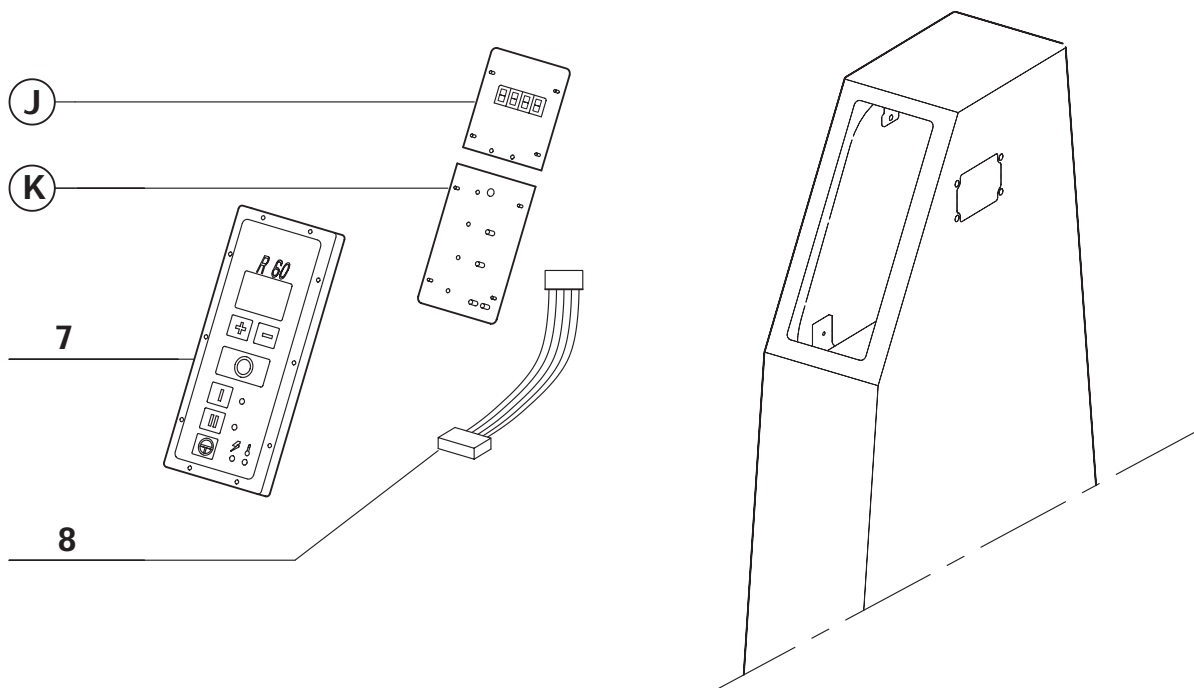
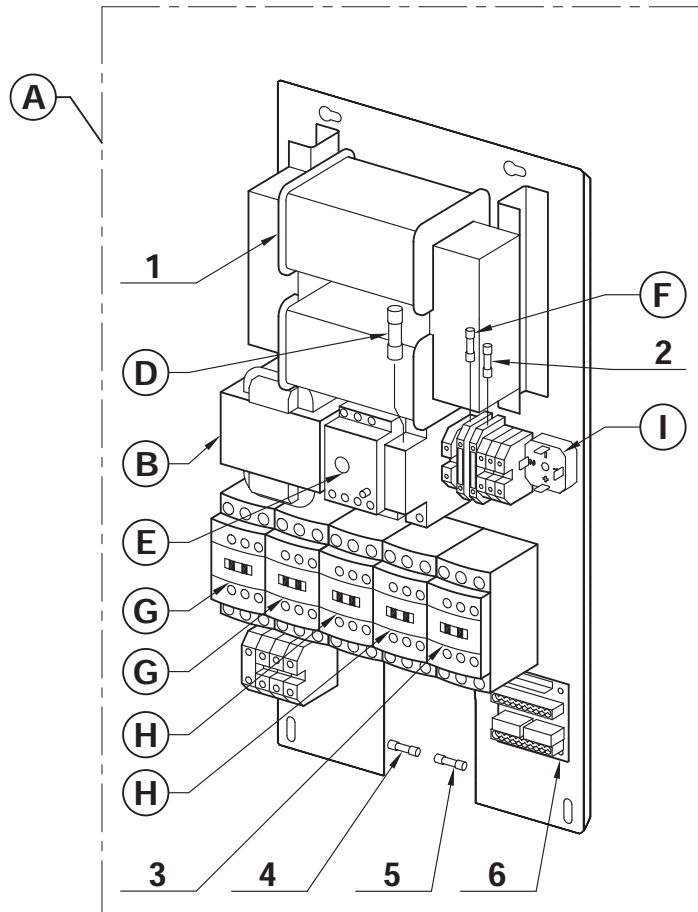


	15	16	17
a	15	16	17
b	18	19	20
c	21	22	23
d	15	24	19
e	Non utilisé en G1, G1+ et G2 / Not used in G1, G1+ and G2.		26
f	18	27	
g	28	29	
h	1		30
i	31	32	

INDEX	REF.	DESIGNATION	
1	59128	HINGE ASSEMBLY	
2	59273	VCM G3 LID ARM SAFETY	
3	501258	R10-A/R20-A SAFETY SWITCH	
4	507250	NO 16A SAFETY SWITCH	
5	501424	SEALING RING SIMRI 20X30X	
6	118126	HINGE BUSH	
7	118255	HINGE FLAT SEAL	
8	59130	LID SUPPORT ASSEMBLY	
9	118100	LID SEAL VCM	
10	118101	LID SUPPORT VCM	
11	118132	ARM REED SWITCH VCM	
12	59131	ARM CLIP ASSEMBLY	
13	118573	SOFT LID COVER VCM	
14	59327	R60 COMPLETE ARM ASSY	
15	59263	R60 LID SEAL ASSEMBLY	
16	119186	R60 LID SEAL	
17	119266	R60 G3 LID SEAL	
18	59286	R60 G1 KIT LID ASSY	
19	59290	R60 G2 LIT LID ASSY	
20	127526	R60 G3 LID	
21	59305	R60 G1 COMPLETE LID ASSY	
22	59309	R60 G2 COMPLETE LID ASSY	
23	59277	R60 G3 LID ASSY	
24	118172	LID HOOK (OV)	
25	119267	LID LATCH G3	
26	119259	LID LATCH RUBBER STOP	
27	59272	VCM LID HANDLE ASSY	
28	118110	RIGHT LID TUBE R60 (OV)	
29	119210	RIGHT LID TUBE R60	
30	105912	VCM G3 SAFETY SWITCH CAM	
31	118111	LEFT LID TUBE R60 (OV)	
32	119211	LEFT LID TUBE R60	

R 60 10000W
 - 186 - - - - -

R 60 11000W
 - 303 - - - - -
 - 334 - - - - -



- Ⓐ
- Ⓑ TRANSFORMER 9/24V
- Ⓓ BREAK FUSE 20A
- Ⓔ OVER RELAY LRD 3357 TESYS
- Ⓕ PRIMARY FUSE 5X20 6,3AT
- Ⓖ CONTACTOR D25
- Ⓗ
- Ⓘ TRANSFORMER 25A
- Ⓙ TIMER CIRCUIT BOARD
- Ⓚ COMMAND CIRCUIT 12V

INDEX	REF.	DESIGNATION	
1	503973	TRANSFORMER 48V	
2	500537	PRIMARY FUSE 9/24V	
3	503362	CONTACTOR D25	
4	504253	SECONDARY FUSE 9V	
5	507121	SECONDARY FUSE 24V	
6	117980	CONNECTION CARD	
7	59151	R60 PCB ASSEMBLY	
8	117982	FLAT LINK CABLE	

N°	M	Voltage	A	B	D	E	F	G	H
54063 11000	303103	440 / 60 / 3	119180	59160	503356	503376	503108	503362	503369
54134 10000	303064	400 / 50 / 3	117995	59167	503356	503376	503108	503362	503362
54135 10000	303122	220 / 60 / 3	117997	59167	502098	503961	507206	503969	503688
54138 10000	303132	380 / 60 / 3	117995	59167	503356	503376	503108	503362	503362
54166 11000	303103	400 / 50 / 3	119180	59160	503356	503376	503108	503362	503369
54167 11000	303072	220 / 60 / 3	119181	59167	502098	507178	507206	503969	503388
54168 11000	303137	380 / 60 / 3	119180	59160	503356	503376	503108	503362	503369
54169 11000	303072	230 / 50 / 3	119181	59167	502098	507178	507206	503969	503388

robot coupe

R60

N°	M	Voltage	I	J	K	
54063 11000	303103	440 / 60 / 3	511622	117999	117981	
54134 10000	303064	400 / 50 / 3	511620	117999	117981	
54135 10000	303122	220 / 60 / 3	511622	117999	117981	
54138 10000	303132	380 / 60 / 3	511620	117999	117981	
54166 11000	303103	400 / 50 / 3	511622	117999	117981	
54167 11000	303072	220 / 60 / 3	511622	119218	119217	
54168 11000	303137	380 / 60 / 3	511622	117999	117981	
54169 11000	303072	230 / 50 / 3	511622	117999	117981	