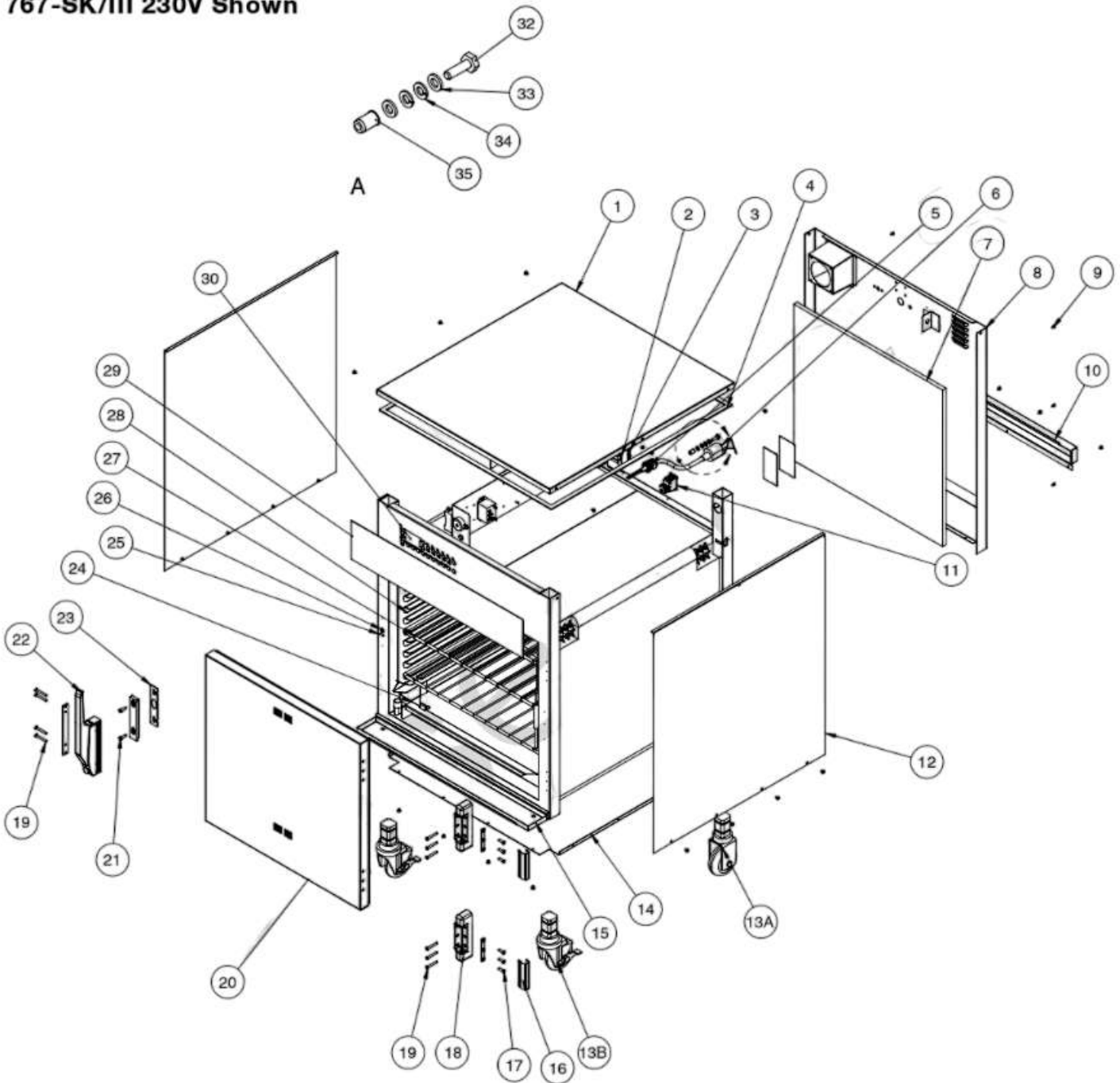


# SERVICE

## EXTERIOR SERVICE VIEW - 767, 1000-SK/III (C)

767-SK/III 230V Shown



Part numbers and drawings are subject to change without notice.

\*\* Shown with electrical chassis prior to 5/1/13

### WARNING



To prevent **SERIOUS INJURY, DEATH, OR PROPERTY DAMAGE**, ALWAYS disconnect unit from power source before cleaning or servicing.

### ⚠ DANGER



To prevent **SERIOUS INJURY, DEATH, OR PROPERTY DAMAGE**, ALWAYS lock-out or post breaker panel until service work has been completed.