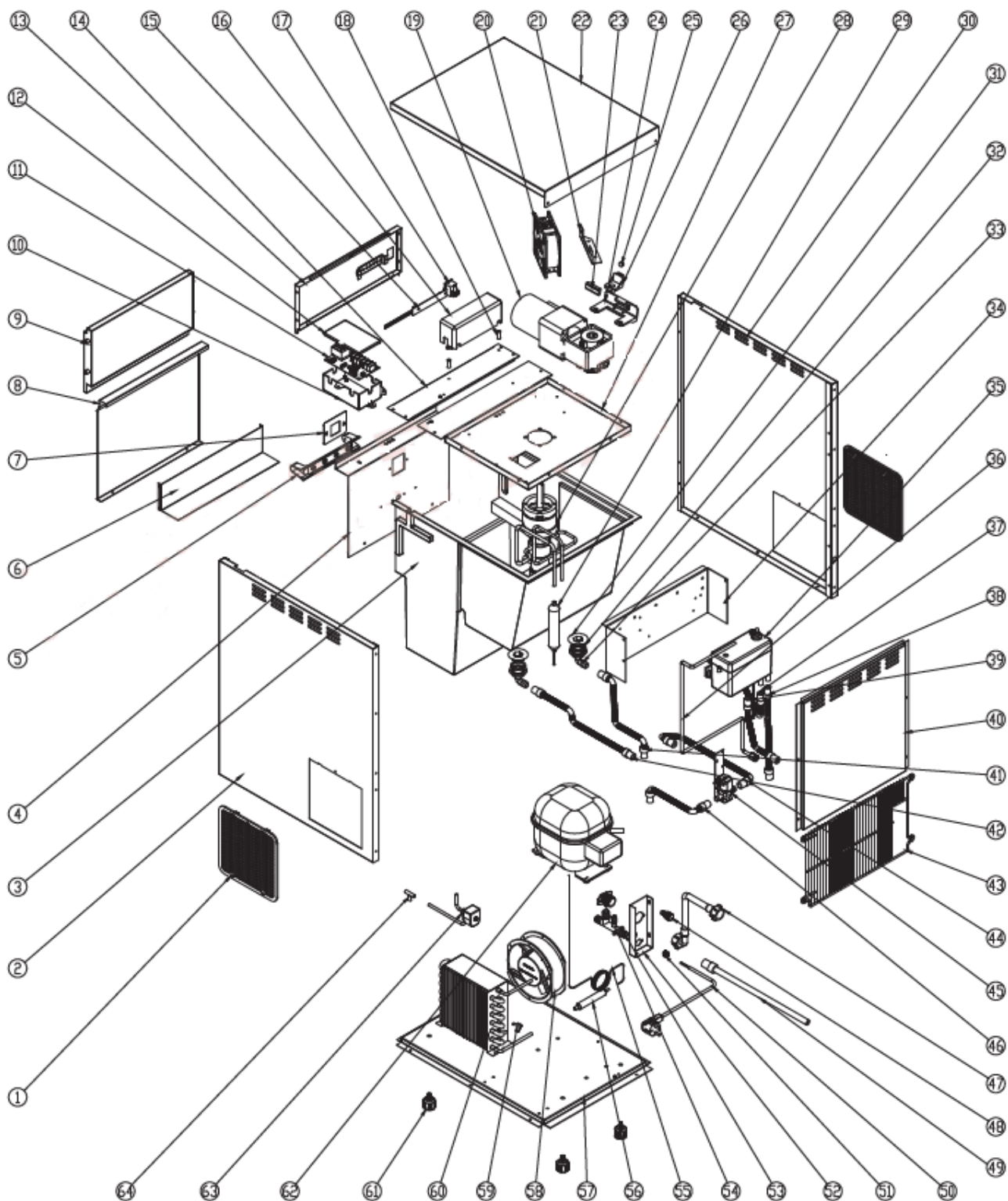
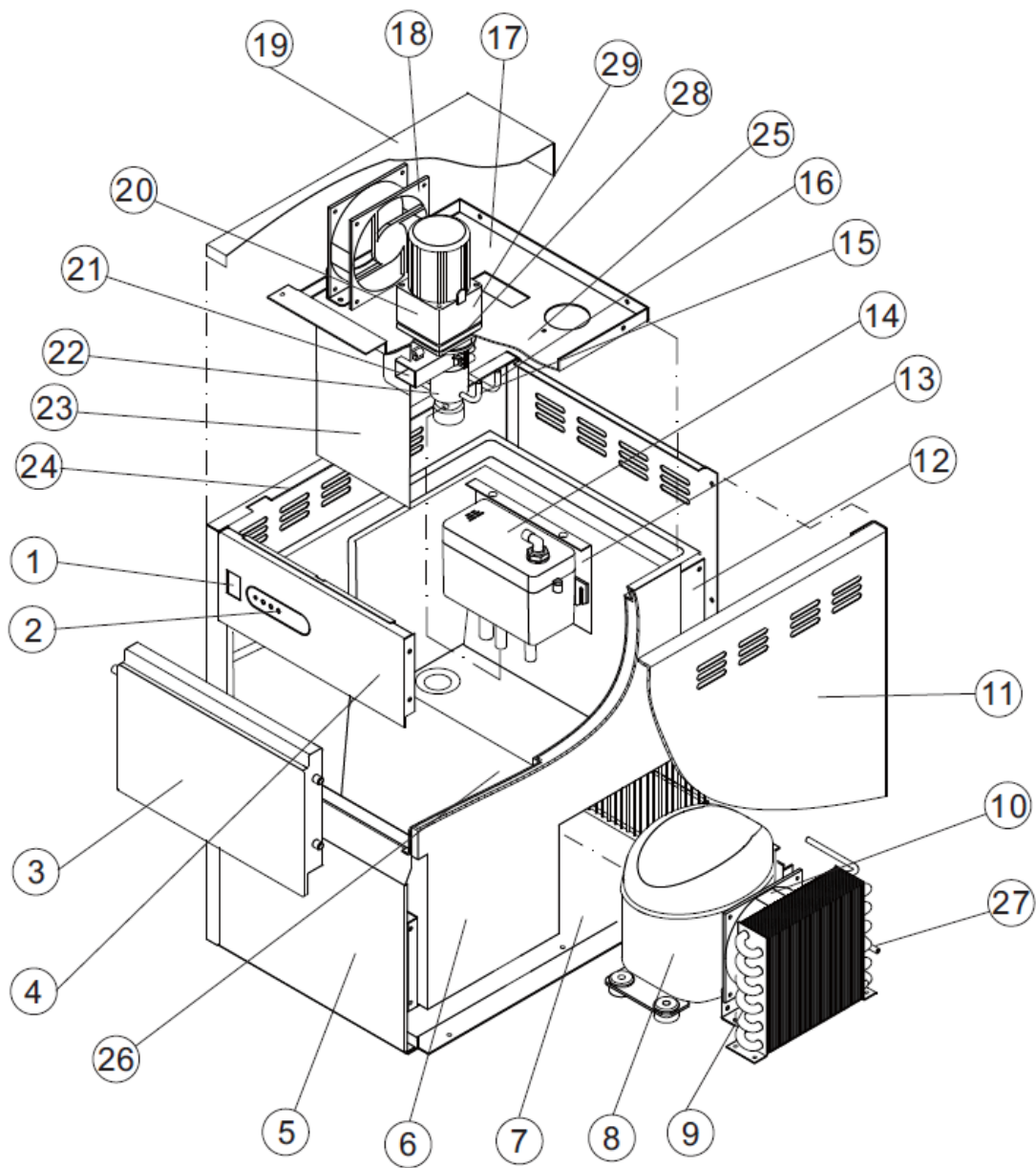


С МАЯ 2021 ГОДА



Поз	Наименование детали		
1	Side grill	43	Back grill
2	Right side panel	44	Drainage of valve
3	Cabinet liner	45	Washing valve
4	Front baffle of cabinet liner	46	Water intel of valve
5	Ice full sensor	47	Water inlet
6	Front support plate for bin	48	Drainage valve
7	Baffle for ice outlet	49	Drainage pipe
8	Down panel	50	Power supply
9	Door	51	Power supply plug
10	Box for main control board	52	Side grill
11	Main control board	53	Four-way drainage pipe
12	Box cover for main control board	54	Valve of water inlet tube
13	Upper panel	55	Capillary copper pipe
14	Upper edge panel	56	Filter
15	LED light and display	57	Bottom panel
16	Box for LED light display	58	Condenser fan
17	Switch	59	Condenser sensor
18	Brace for LED light display	60	Condenser
19	Reducer	61	Feet
20	Reducer fan	62	Compressor
21	Fan bracket	63	Electromagnetic valve
22	Top board	64	Three-way copper pipe
23	Hall sensor		
24	Bracket for Hall sensor		
25	Magnet steel		
26	Bracket for magnet steel		
27	Upper baffle plate		
28	Evaporator		
29	Suction pipe assy		
30	Left side panel		
31	Drainage connector		
32	Sealing gasket		
33	Short elbow of drainage		
34	Back support plate for bin		
35	Water box		
36	Water inlet of water box		
37	Water intel for evaporator		
38	Overflow pipe		
39	Drainpipe for water box		
40	Back panel		
41	Drainage of cabinet liner 1		
42	Drainage of cabinet liner 2		



Поз	Наименование детали
1	On-off Switch
2	Indicator
3	Door
4	Upper Front Panel
5	Down Front Panel
6	Inner Liner
7	Bottom Plate
8	Compressor
9	Condenser
10	Condenser Fan
11	Right-Plate
12	Inner Liner Supporter
13	Water Box Bracket
14	Water Box
15	Exhaust Pipe
16	Inlet Air Pipe
17	Top Shelf
18	Reducer Fan
19	Top Plate
20	Reducer
21	Ice Outlet
22	Flake Ice Evaporator
23	Front Plate
24	Left Side Plate
25	PCB Board
26	Ice Full Sensor
27	Condenser Sensor
28	HALL Device
29	Capacitor