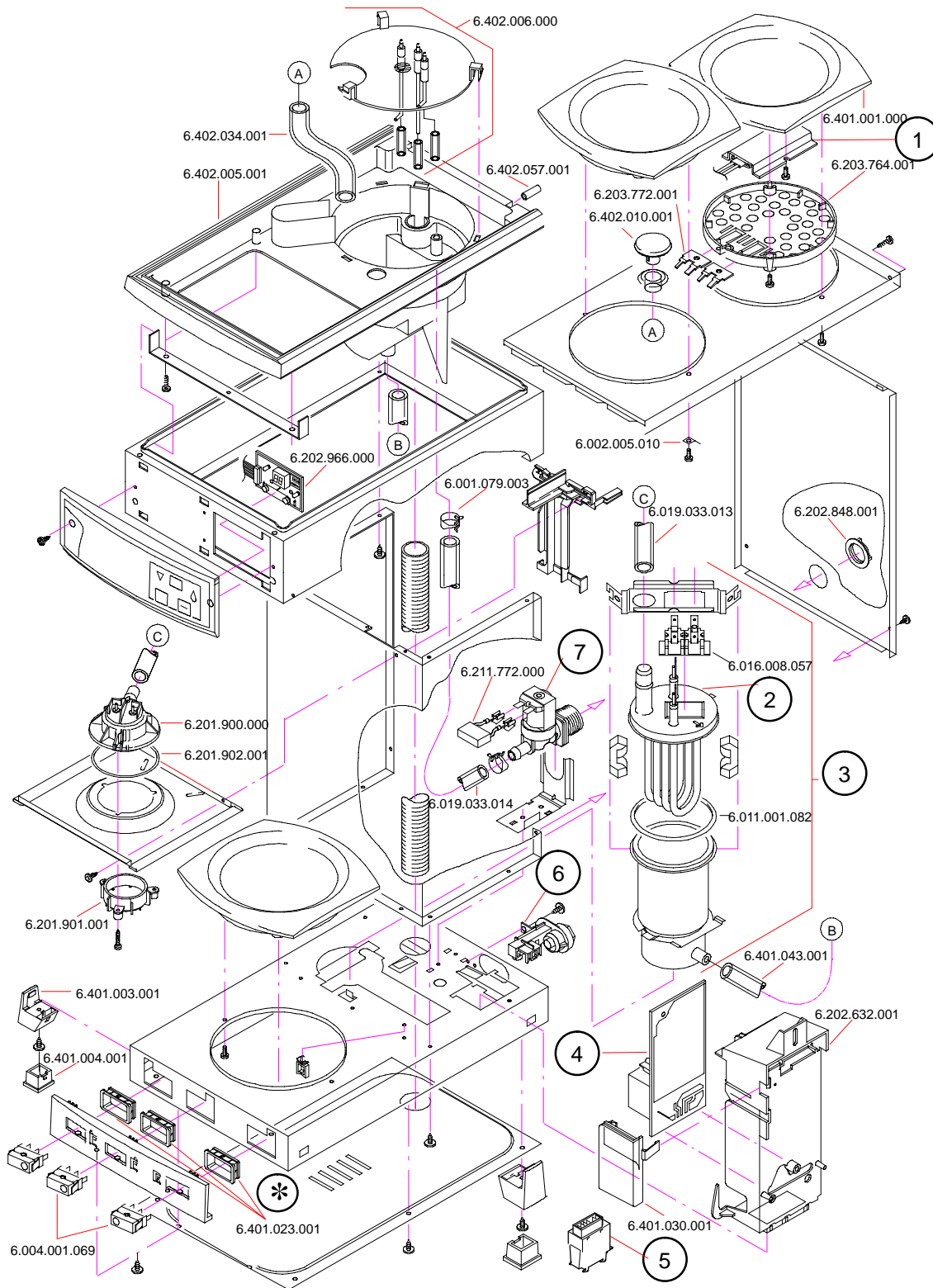
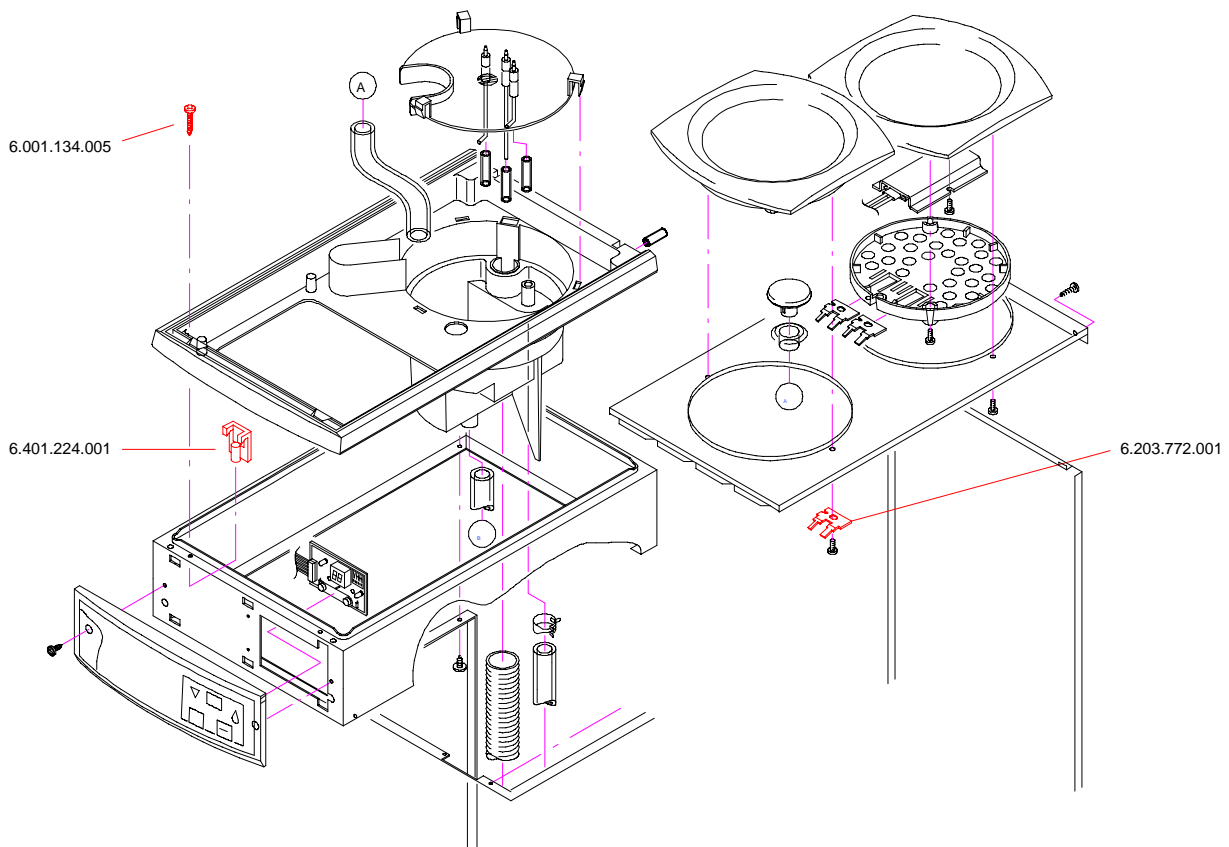
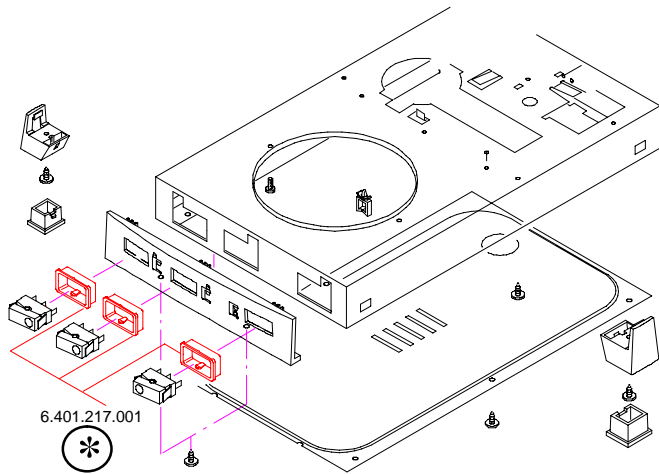


MATIC (1996 --->)


V1.0

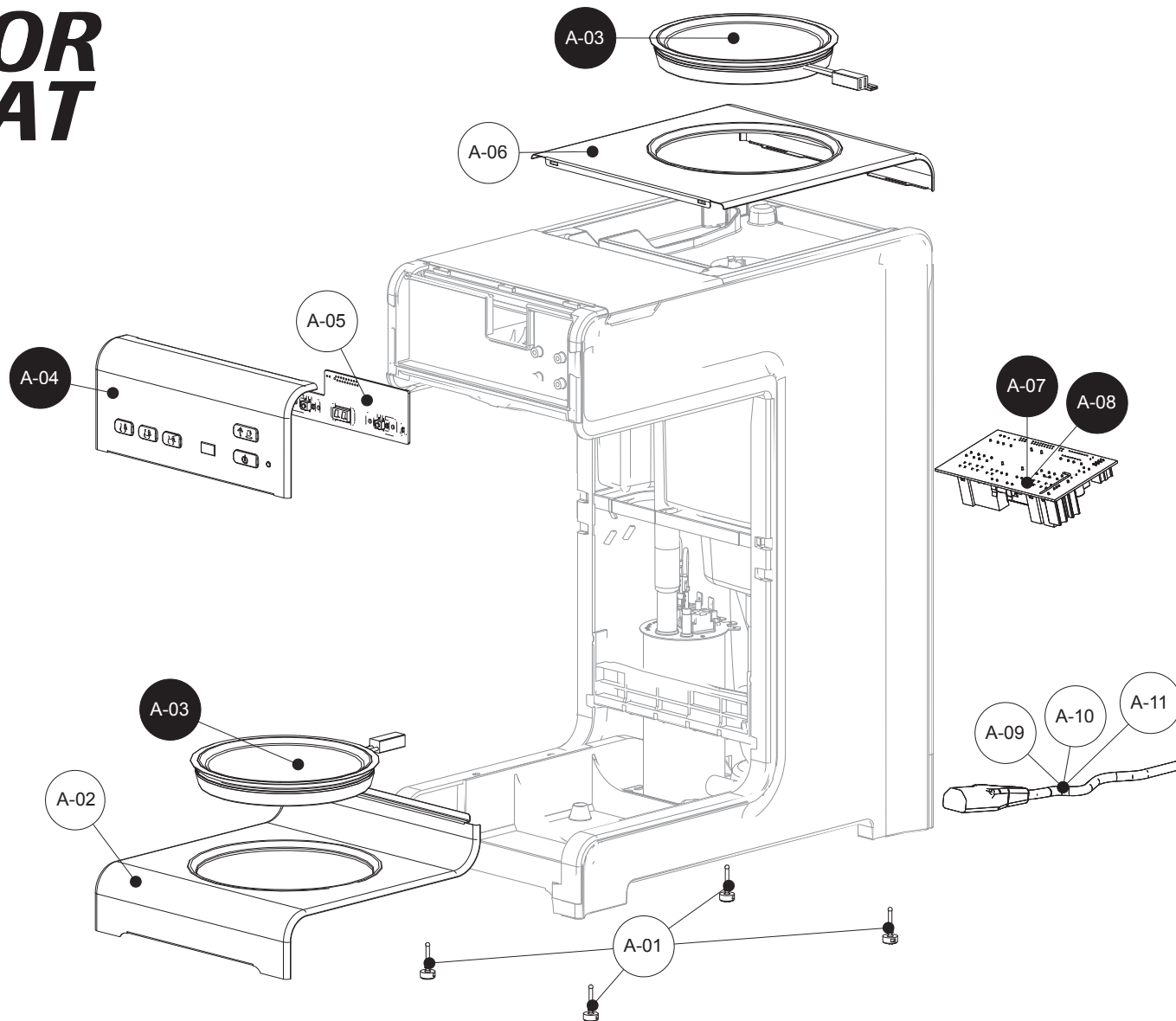


V2.0

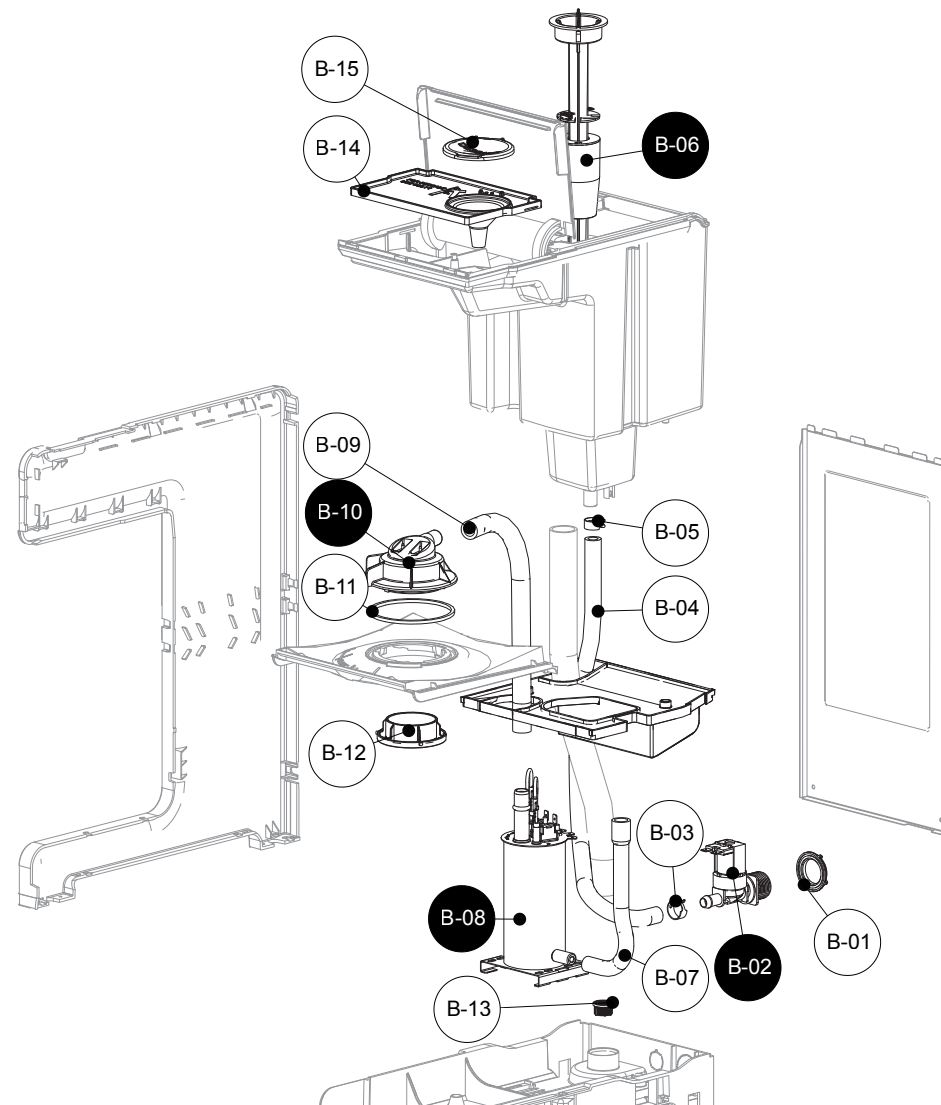


		Matic 2, 2WB, Matic 3, 3WB	Matic Twin (1N)	Matic Twin (3N)
1.	STD	6.401.076.000	6.401.076.000	6.401.076.000
	IRL / GB / J / HK / RSA	6.401.077.000	6.401.077.000	6.401.077.000
	OCE	6.401.212.000	6.401.212.000	6.401.212.000
2.	STD	6.301.002.000	6.301.201.000	6.301.002.000
	IRL / GB / HK / STA	6.301.002.000	6.301.338.000	6.301.002.000
	OCE	6.301.492.000	6.301.201.000	6.301.492.000
	TWN (110V)	6.301.191.000		
	J	6.301.351.000		
	MEX (127V)	6.301.201.788		
3.	STD	6.000.201.652	6.000.201.675	6.000.201.652
	IRL / GB	6.000.201.652	6.000.201.676	6.000.201.652
	OCE	6.000.201.658	6.000.201.652	6.000.201.658
	TWN (110V)	6.000.201.660		
	J	6.000.201.599		
	MEX (127V)	6.000.201.691		
4.	STD	6.202.970.000	6.202.970.000	6.202.970.000
	TWN (110V)	6.202.968.000		
	J	6.202.969.000		
	MEX (127V)	6.202.968.000		
5.	STD			
	J	6.004.002.072		
	TWN (110V) / MEX (127V)	6.004.002.066		
6.	STD	6.006.001.101	6.006.001.101	6.006.001.102
	TWN (110V)	6.006.001.107		
	MEX	6.006.001.107	6.006.001.107	
7.	STD	6.016.001.035	6.016.001.036	6.016.001.036
	TWN (110V) / MEX (127V)	6.016.001.023		
	J	6.016.001.038		

		Matic 2WB, Matic 3WB
	STD	6.004.001.070



BOM Id	Description	S-RS	English	Nederlands	Deutsch	Français
A-01	6.101.039.001	S	Insert foot	Insert pootje	Einsatz Fuss	Caoutchouc pied
A-02	6.101.033.001	S	Lower panel	Onderpaneel	Unterspanel	Panneau inférieur
A-03	6.101.072.000	RS	Hotplate	Warmhoudplaat	Heißplatte	Plaque chauffante
A-04	6.101.141.001	S	Upperpanel printed	Bovenpaneel bedrukt	Obenpanel Bedruckt	Panneau supérieur imprimé
A-05	6.101.161.000	RS	Keyboard	Keyboard	Tastatur	Sélecteur
A-06	6.101.027.001	S	Upperpanel	Bovenpaneel	Obenpanel	Panneau supérieur
A-07	6.101.047.000	RS	Print board	Print	Leiterplatte	Circuit imprimé
A-08	6.101.151.000	RS	Print board (GB)	Print (GB)	Leiterplatte (GB)	Circuit imprimé (GB)
A-09	6.003.012.151	S	Connection cord (STD)	Aansluitsnoer (STD)	Anschlusskabel (STD)	Cable (STD)
A-10	6.003.012.156	S	Connection cord (DK)	Aansluitsnoer (DK)	Anschlusskabel (DK)	Cable (DK)
A-11	6.003.012.160	S	Connection cord (GB)	Aansluitsnoer (GB)	Anschlusskabel (GB)	Cable (GB)



BOM Id	Description	mm	S-RS	English	Nederlands	Deutsch	Français
B-01	6.202.848.001		S	Nut for magnetic valve	Moer magneetventiel	Mutter für Magnetventil	Ecrou pour vanne magnétique
B-02	6.016.001.035		RS	Vanne magnétique 2,5 l/min	Magneetventiel 2,5 l/min	Magnetventil 2,5 L/Min	Magnetic valve 2.5 l/min
B-03	6.001.079.004		S	Tube clamp 17.5 mm	Slangklem 17,5 mm	Schlauchklemme 17,5 mm	Serreur tuyau 17,5 mm
B-04	6.019.033.014	700	S	Silicone tube 15.5 x 9.5	Slang 15.5 x 9.5 silicone	Silikonenschlauch 15,5 x 9,5	Tuyau de silicone 15,5 x 9,5
B-05	6.001.079.003		S	Tube clamp 15.6 mm	Slangklem 15,6 mm	Schlauchklemme 15,6 mm	Serreur tuyau 15,6 mm
B-06	6.000.101.003		RS	Float (assy)	Vlotter (compleet)	Schwimmer (komplett)	Flotteur (ens.)
B-07	6.101.081.001		S	Tube	Slang	Schlauch	Tuyau
B-08	6.101.061.000		RS	Flow boiler 230V 2000W	Doorstroomelement 230V 2000W	Durchlauferhitzer 230V 2000W	Chaudière 230V 2000W
B-09	6.101.080.000		S	Tube	Slang	Schlauch	Tuyau
B-10	6.101.008.001		S	Water spreader (assy)	Sproeikop (compleet)	Sprühkopf (komplett)	Arroseur (ens)
B-11	6.011.001.157		S	O-ring	O-ring	O-Ring	Rondelle
B-12	6.101.062.001		S	Spraying tank	Sproeibakje	Sprühkasten	Bassin d'arrosage
B-13	6.016.018.023		S	Sieve	Zeefje	Sieb	Tamis
B-14	6.101.012.001		S	Protection plate	Afdekplaat	Abschirmplatte	Plaque de recouvrement
B-15	6.101.122.001		S	Descaling plug	Ontkalkingsdop	Entkalkungskappe	Bouchon d'orifice détartrage