



*BSF*

# LIST OF THE EXPLODED VIEWS



*SHELL*

*COOLING SYSTEM*

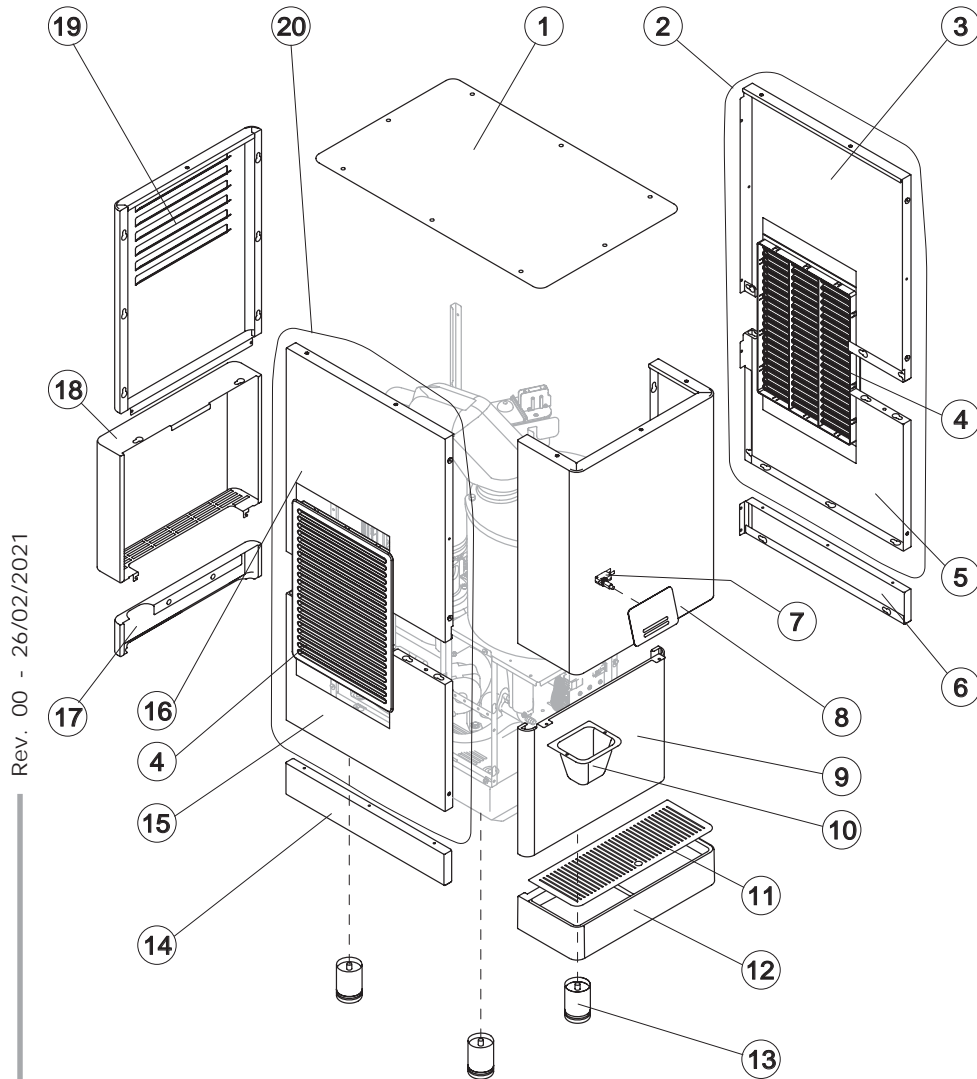
*EVAPORATOR*

*HYDRAULIC CIRCUIT*

*ICE COLLECTION BIN*

*ELECTRIC PARTS*

Rev. 00 - 26/02/2021



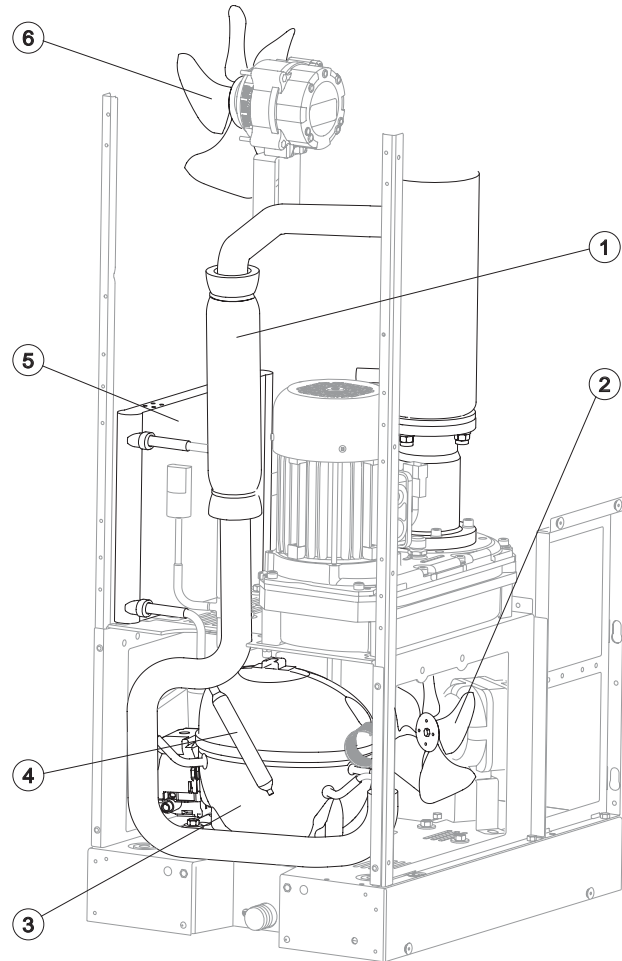
Ref.	Spare Description	Code
1	Top	10919
2	Right side panels assembly	C222091
3	Upper right side panel	222001
4	Lateral grid	10917
5	Central right side panel	221998
6	Lower right side panel	C221996
7	Microswitch	23700
8	Upper front panel assembly with push button	C222044
9	Lower front panel	C222048
10	Distributor glass	10634
11	Water basin collection grid	221997
12	Water basin collection	10918
13	Adjustable Foot	201267
14	Lower left side panel	C221995
15	Central left side panel	221999
16	Upper left side panel	222000
17	Lower rear panel	C222046
18	Central rear panel	222047
19	Upper rear panel	C222045
20	Left side panels assembly	C222092

Rev. 00 - 26/02/2021

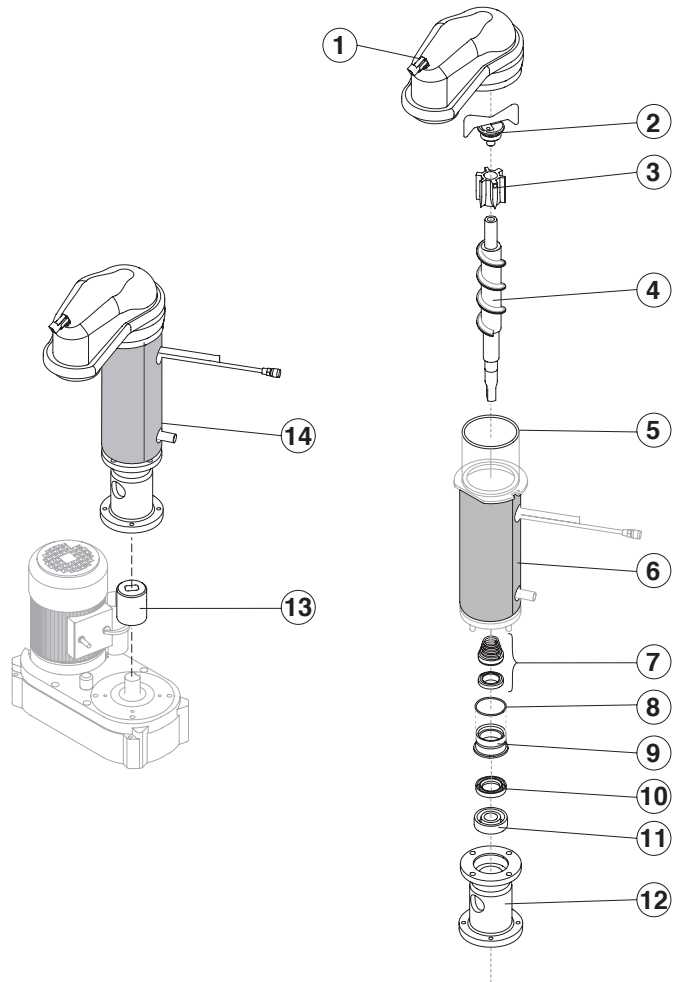


BSF

# COOLING SYSTEM



Ref.	Spare Description	Code
1	Suctin Line	for the spare parts code give us the s/n.
2	Pressing fan (compressor)	20193
3	Compressor	231159
4	Liquid line drier	14009
5	Air Condenser	201221
6	Fan Blade (condenser)	20096

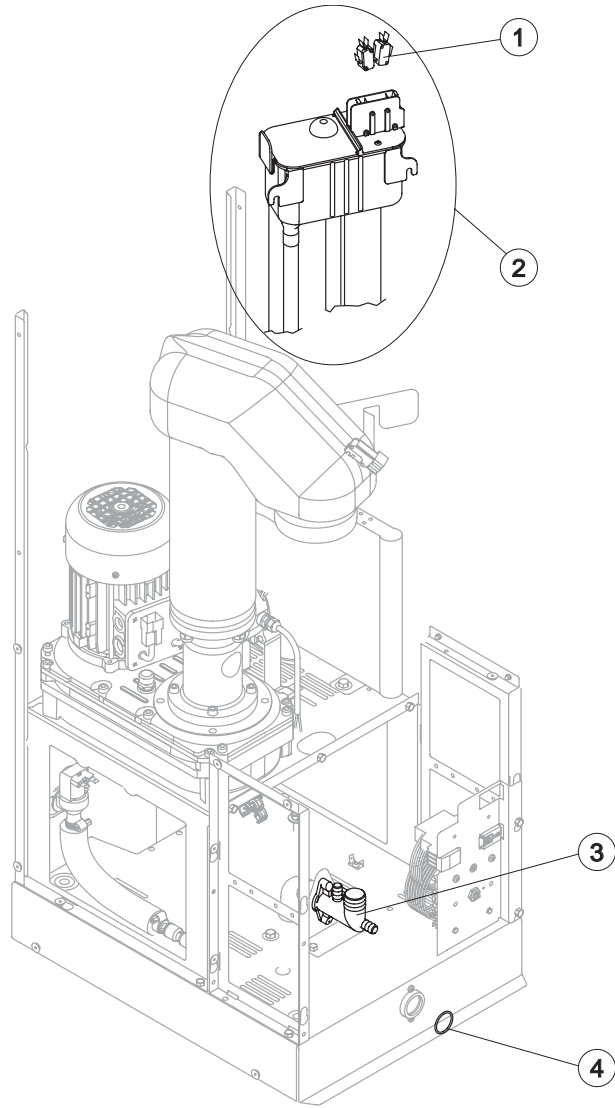


Ref.	Spare Description	Code
1	Ice Exhaust assembly with micro	C11277
3	Ice Breaker	C201047
4	Extruder with bearings assembly	C201001
5	Auger	201000
6	OR Gasket 4325	20987
7	Water Seal	20937
8	OR Gasket 3162 NBR70	20429
9	Water seal retainer	20785
10	Seal Ring	20985
11	Bearing	20917
12	Foundation	20916
13	Joint	D20630
14	Evaporator Assy	C11278
15	Insulating Cap	18205



BSF

# HYDRAULIC CIRCUIT



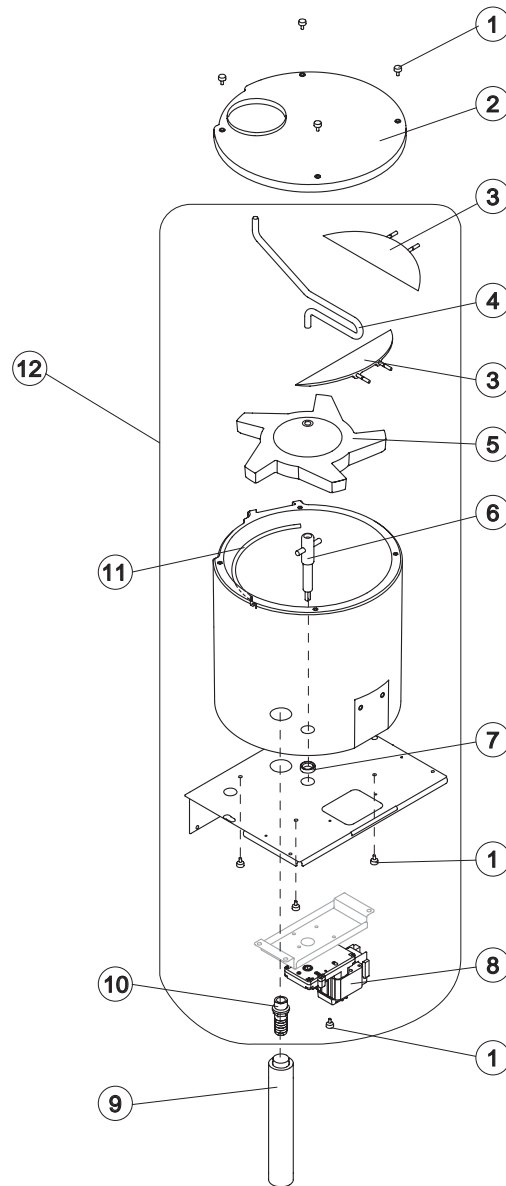
Ref.	Spare Description	Code
1	Microswitch	23055
2*	Reservoir Assembly	C10935
3	Discharges Manifold (Bin)	10006
7	OR gasket	201266

Rev. 00 - 26/02/2021



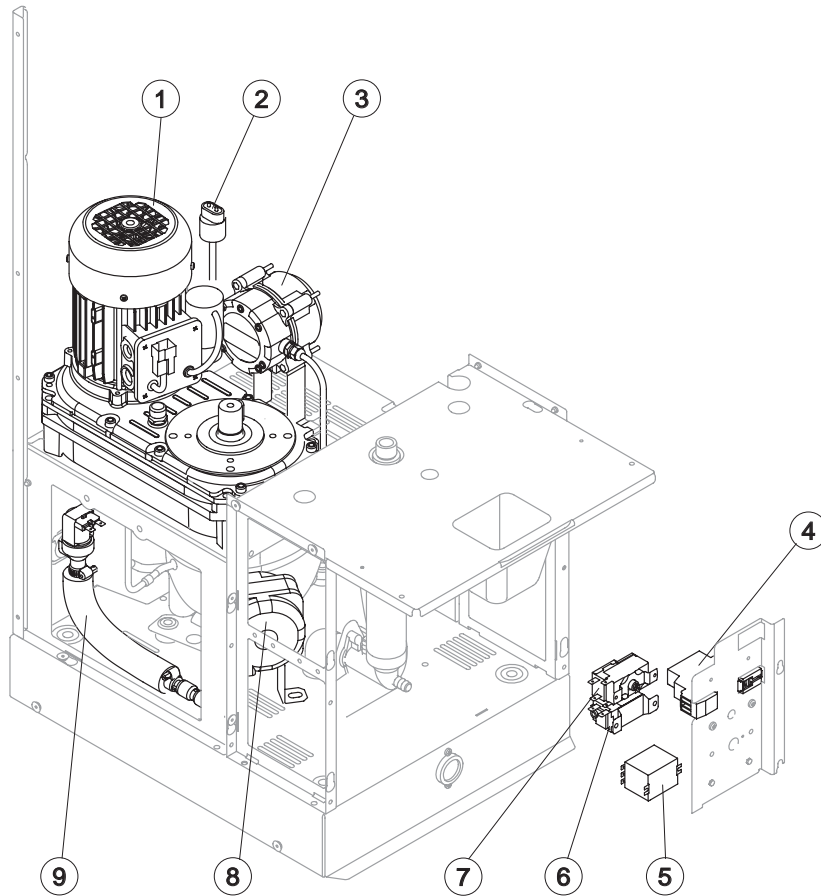
BSF

# ICE COLLECTION BIN



Ref.	Spare Description	Code
1	Fixing screw	20009
2	Bin cover	10930
3	Deflector	10934
4	Mixer	201262
5	Dispenser	10922
6	Pinion with shaft for gearmotor	C201263
7	Seal ring	201030
8	Gearmotor	231030
9	Bin Drain Pipe	C13175140
10	Plastic Connection	20556
11	Bin Bulb-holder	20522
12	Ice bin assembly	C28122

Rev. 00 - 26/02/2021



Ref.	Spare Description	Code
1	Gearmotor	231030
2	Fan Cycle Switch	231350
3	Fan Motor (condenser)	231452
4	Delay timer	231033
5	Relay	23190
6	Evaporator Thermostat	23591
7	Bin Thermostat	23005
8	Fan Motor (compressor)	231041
9	1 Way-Water Inlet Valve with pipe	C29278