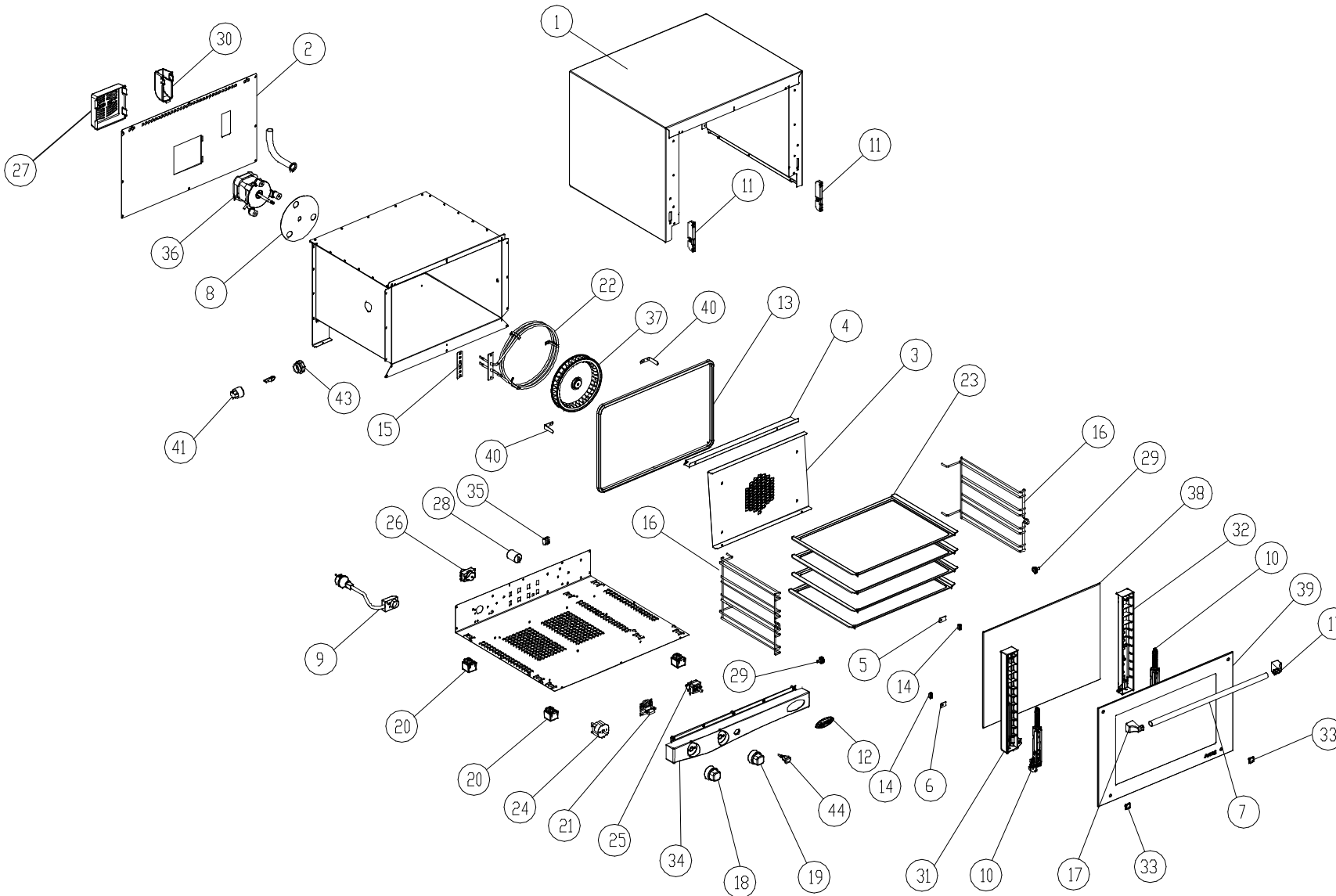


### LEGEND - LEGENDA

1	0D1585C0
2	0F1200A1
3	0G1220A0
4	0G1230A0
5	0H3110A1
6	0H3111A1
7	0H3195B0
8	0H3585A0
9	CE116A1
10	CR1065A0
11	CR1070A0
12	ED1070A0
13	GN1235A0
14	GN1240A0
15	GN1327A0
16	GRL1090A0
17	MG1015B0
18	MN1100A1
19	MN1101A2
20	PD1001A0
21	TM1000C0
22	RS1130A0
23	TG305
24	TM1005A0
25	TR006
26	TR254
27	VE1102A0
28	VE1145A0
29	VI1035A1
30	VM1065A0
31	VM1375A0
32	VM1376A0
33	VM1380B0
34	VM1390B0
35	VM250
36	VN1035B1
37	VN1050A2
38	VT1155A0
39	VT1156A1
41	VE1480A0
43	VT1200A0



## DESCRIZIONE CODICI

1	0D1585C0	MANTELLINO INOX L. MICRO ANNA
2	0F1200A1	SCHIENA ZINCATA L. MICRO ANNA
3	0G1220A0	CARTER ARIA INOX L. MICRO ANNA
4	0G1230A0	DIVISORIO CARTER ARIA INOX L. MICRO ANNA
5	0H3110A1	PIASTRINA SUPERIORE FERMA VETRO
6	0H3111A1	PIASTRINA INFERIORE FERMA VETRO
7	0H3195B0	TUBO MANIGLIA D-EST=18 SP=1 L=508
8	0H3585A0	LAMIERA PROTEZIONE MOTORE ZINCATO L.M.
9	CE116A1	CAVO 3X1,5 H07RN-F MT1,5+K2/3+SCHUKO
10	CR1065A0	CERNIERA PORTA FORNO RIBALTA L.C. ANNA
11	CR1070A0	ATTACCO CERNIERA PORTA FORNO RIBALTA
12	ED1070A0	ETICHETTA UNOX ELLISSE 78x33 ARGENTO
13	GN1235A0	GUARNIZIONE L. MICRO ANNA
14	GN1240A0	GUARNIZIONE COLONNINA-VETRO SILICONE
15	GN1327A0	GUARNIZIONE RES. 100X22X0.8
16	GRL1090A	GRIGLIA LATERALE DX/SX CROMATA
17	MG1015B0	TERMINALE MANIGLIA L.MISS/L.MICRO/CHEFTO
18	MN1100A1	MANOPOLA SERIGR. TIMER 0-60 MIN L. MICRO
19	MN1101A2	MANOPOLA SERIGR. TERMOSTATO 80-300°C
20	PD1001A0	PIEDINO 35X35 H26 PLASTICA+GOMMA GRIGIO
21	TM1000C0	SUONERIA ELETTRONICA 15 SEC 230V
22	RS1130A0	RESISTENZA CIRCOLARE D=230 3 SPIRE
23	TG305	TEGLIA 460x330 PIANA ALLUMINIO
24	TM1005A0	TIMER MI2 60 MIN 250V 16A
25	TR006	TERMOSTATO 50-295°C 55.19052.861
26	TR254	TERM.SIC.BIP.335°C RIARMO MANUALE
27	VE1102A0	CUFFIA COPRI MOTORE IN PLASTICA
28	VE1145A0	CONDENSATORE 3,5 µF 450 Vac 50/60 Hz
29	VI1035A1	NOTTOLINO M6x12,5 CON TAGLIO OTT.CROM.FE
30	VM1065A0	CUFFIA COPRI CAMINO FUMI L.M.
31	VM1375A0	COLONNINA SX PORTA L. MICRO ANNA
32	VM1376A0	COLONNINA DX PORTA L. MICRO ANNA
33	VM1380B0	TAPPO FISSAGGIO VETRO-PORTA L. MICRO
34	VM1390B0	CRUSCOTTO COMANDI L. MICRO LISA-ANNA
35	VM250	MORSETT.A PETTINE
36	VN1035B1	MOTORE SISME 230 VAC LINE MISS
37	VN1050A2	VENTOLA D=196 H=32 38 PALE INOX DADO M6
38	VT1155A0	VETRO INTERNO 512X362X4 BETFL
39	VT1156A1	VETRO ESTERNO SER. 590X382X4 CHIARO
41	VE1480A0	GRUPPO LAMPADA 230V-25W
43	VT1200A0	VETRO COPRILAMPADA BOROSILICATO L.MICRO

## DESCRIPTION

1	0D1585C0	STAINLESS STEEL OUTER CASING L.
2	0F1200A1	ZINCED BACK PANEL L. MICRO ANNA
3	0G1220A0	STAINLESS STEEL FAN GUARD L. MICRO ANNA
4	0G1230A0	STAINLESS STEEL FAN GUARD PARTITION
5	0H3110A1	STAINLESS STEEL UPPER PLATE TO
6	0H3111A1	STAINLESS STEEL LOWER PLATE TO
7	0H3195B0	
8	0H3585A0	ZINCATE MOTOR GUARD PLATE L.M.
9	CE116A1	EL CABLE 3x1.5 H07RN-F MT1,5+K2/3+SCHUKO
10	CR1065A0	DOOR HINGE L. MICRO ANNA
11	CR1070A0	HINGE LATCH L. C.
12	ED1070A0	UNOX ELLIPTICAL STICKER 78x33-SILVER
13	GN1235A0	L.MICRO ANNA DOOR GASKET
14	GN1240A0	BLACK SILICON SEAL FOR COLUMN-GLASS
15	GN1327A0	
16	GRL1090A	R/L CHROM. PLATED LATERAL GRID
17	MG1015B0	L.MISS/L.MICRO/CHEFTOP HANDLE END
18	MN1100A1	L.MICRO 0-60 MINUTES TIMER KNOB
19	MN1101A2	80-300°C THERMOSTAT KNOB
20	PD1001A0	FOOT 35X35 H26 GREY PLASTIC+RUBBER
21	TM1000C0	
22	RS1130A0	CIRC.HEAT.ELEMENT D=230 3 TURNS
23	TG305	TRAY 460x330 FLAT ALUMINIUM
24	TM1005A0	TIMER MI2 60 MIN 250V 16A
25	TR006	THERMOSTAT 50-295° C 55.19052.861
26	TR254	SECURITY THERMOSTAT BIP. 335°C
27	VE1102A0	PLASTIC COVER FOR MOTOR L.M. CRI-STE-ARI
28	VE1145A0	CONDENSER 3.5 µF 450 Vac 50/60 Hz
29	VI1035A1	CHROMIUM PLATED BRASS NUT M6x12,5
30	VM1065A0	PLASTIC COVER FOR FUMES CHIMNEY L.M.
31	VM1375A0	LEFT DOOR COLUMN L. MICRO ANNA
32	VM1376A0	RIGHT DOOR COLUMN L. MICRO ANNA
33	VM1380B0	L.MICRO GLASS-DOOR FIXING CAP
34	VM1390B0	CONTROL PANEL L.MICRO LISA-ANNA
35	VM250	"COMB" TERMINAL BOARD
36	VN1035B1	
37	VN1050A2	FAN D=196 H=32 38 STAINLESS STEEL
38	VT1155A0	INTERNAL GLASS 512X362X4 L. MICRO ANNA
39	VT1156A1	SERIGR. EXTERNAL GLASS 590X382X4
41	VE1480A0	230V-25W LAMP SET
43	VT1200A0	L.MICRO LAMP COVER BOROSILICATE GLASS