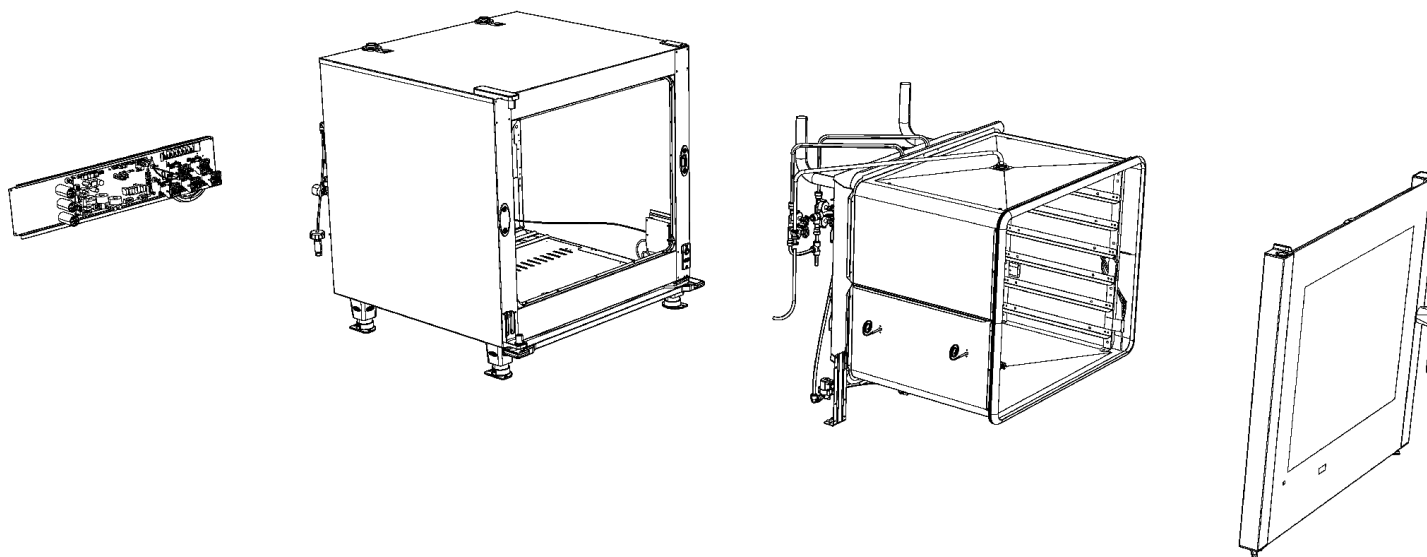
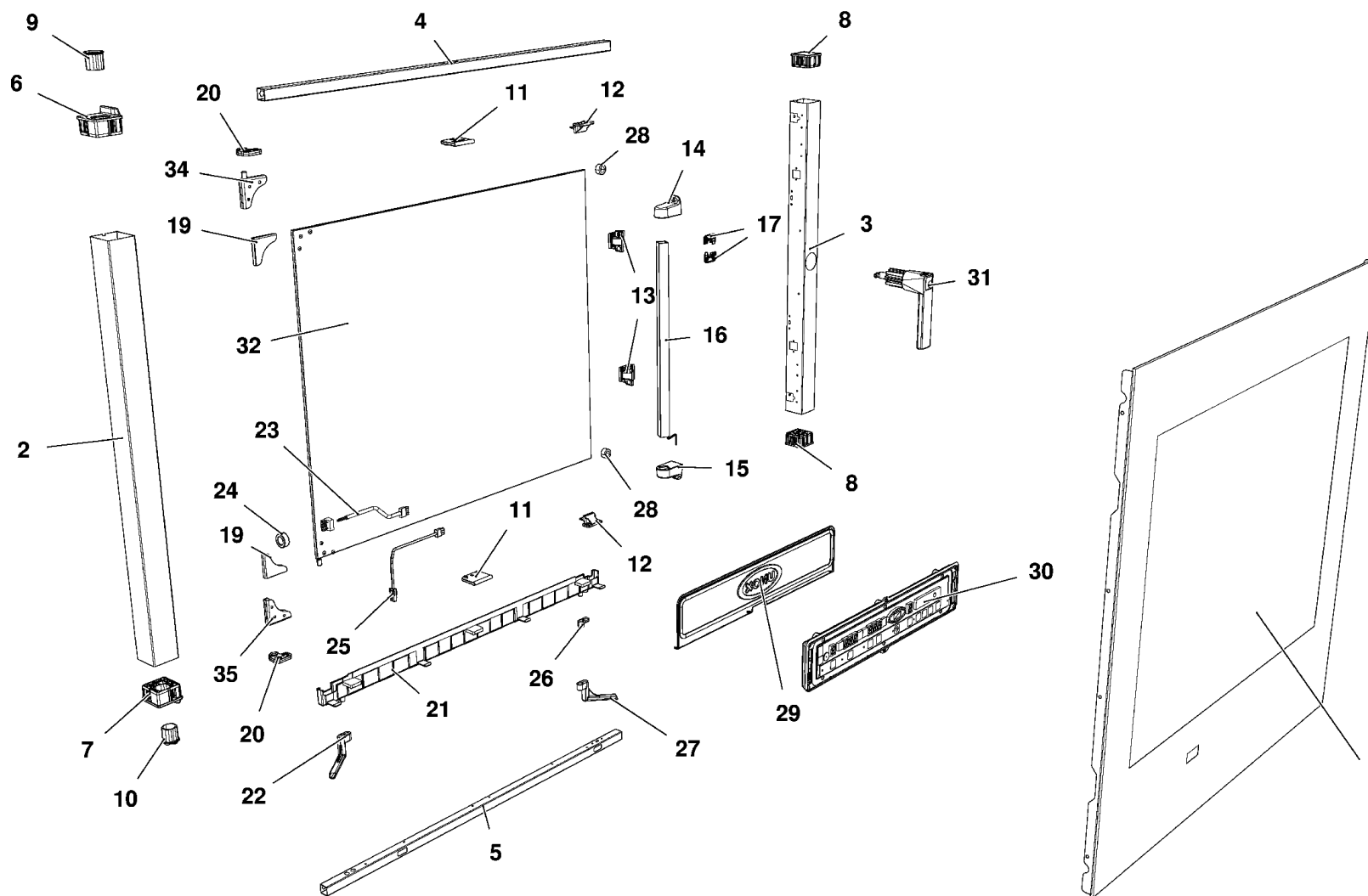


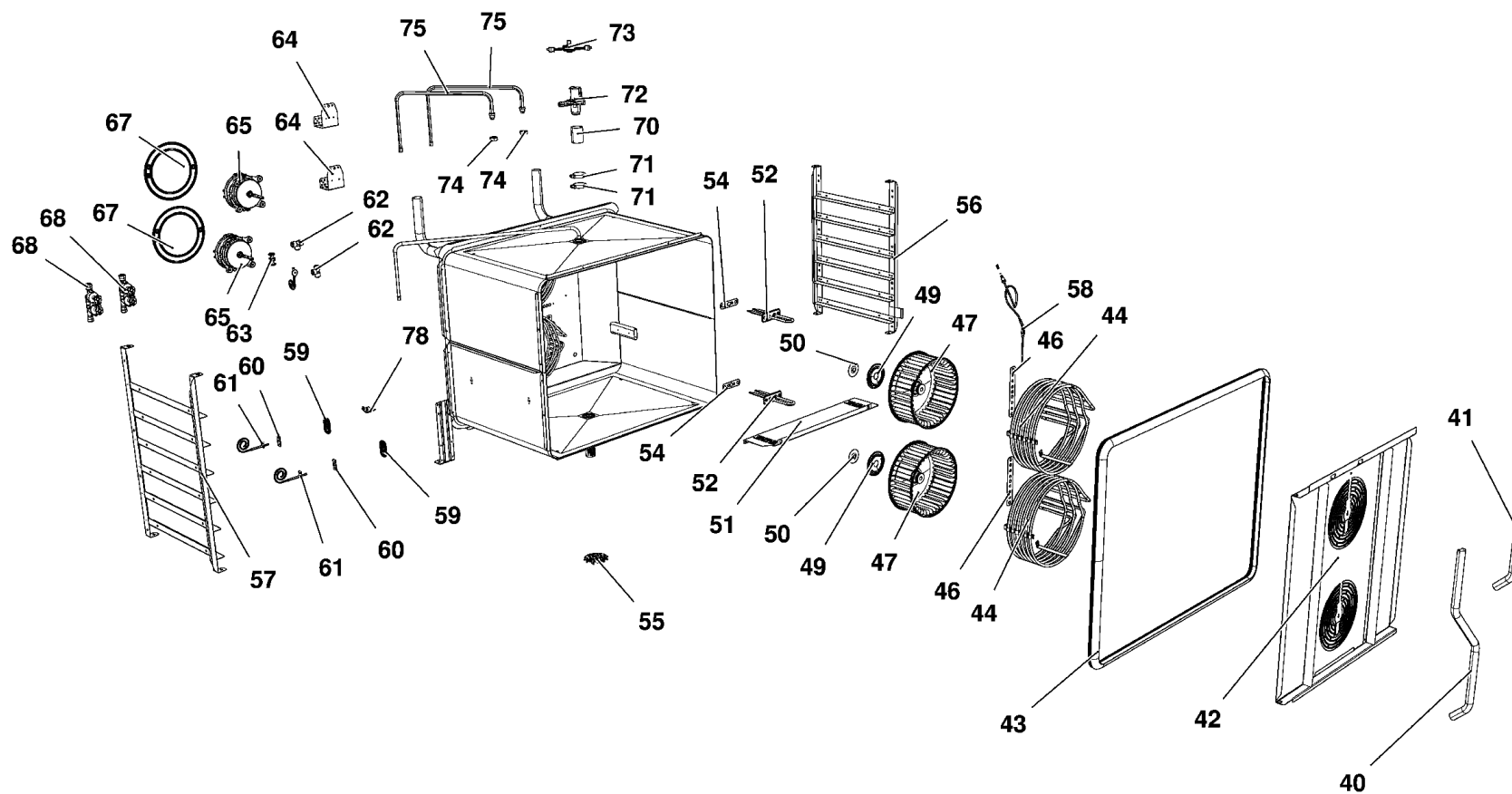
MOD:XBC605E



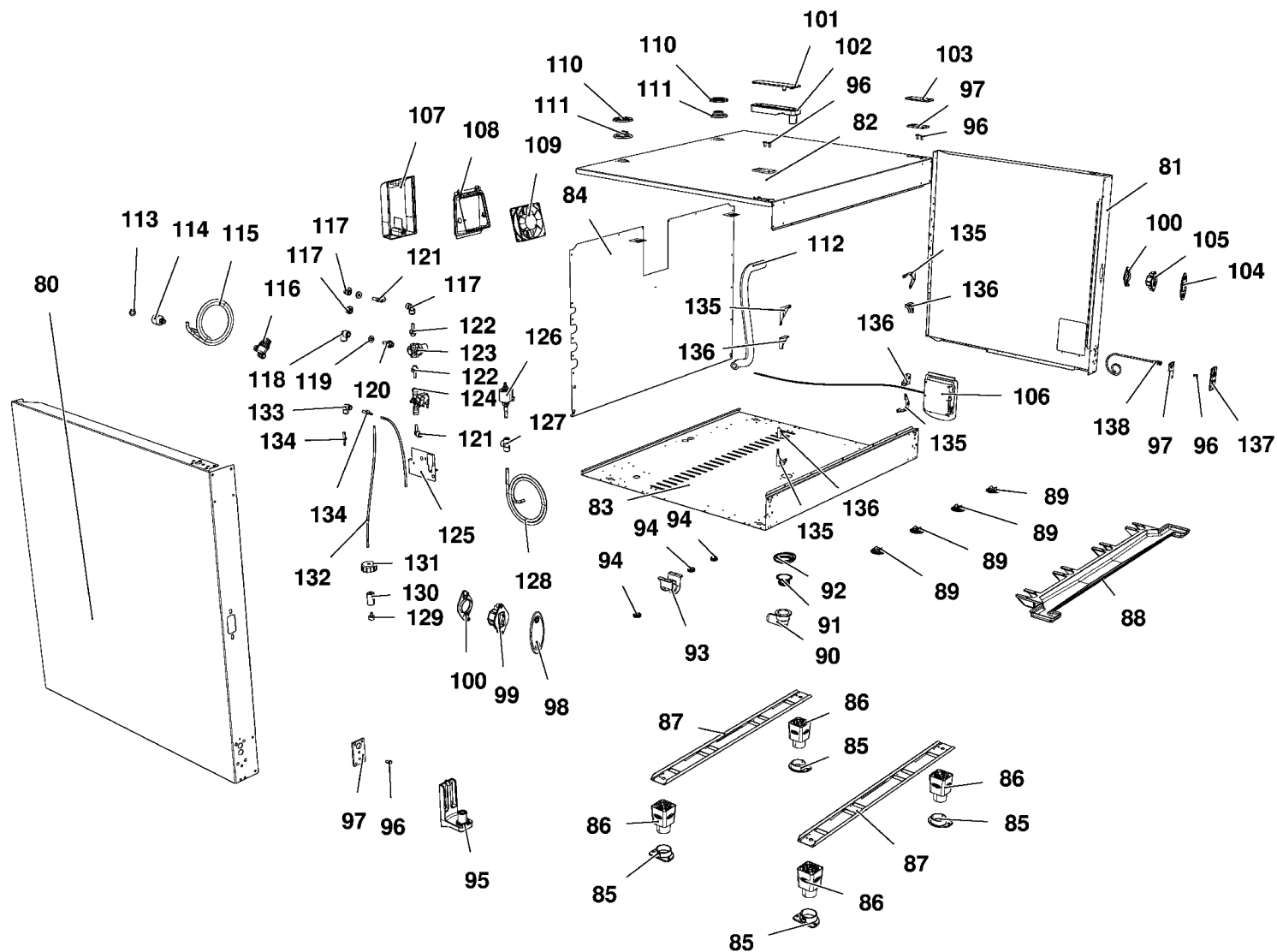
MOD:XBC605E



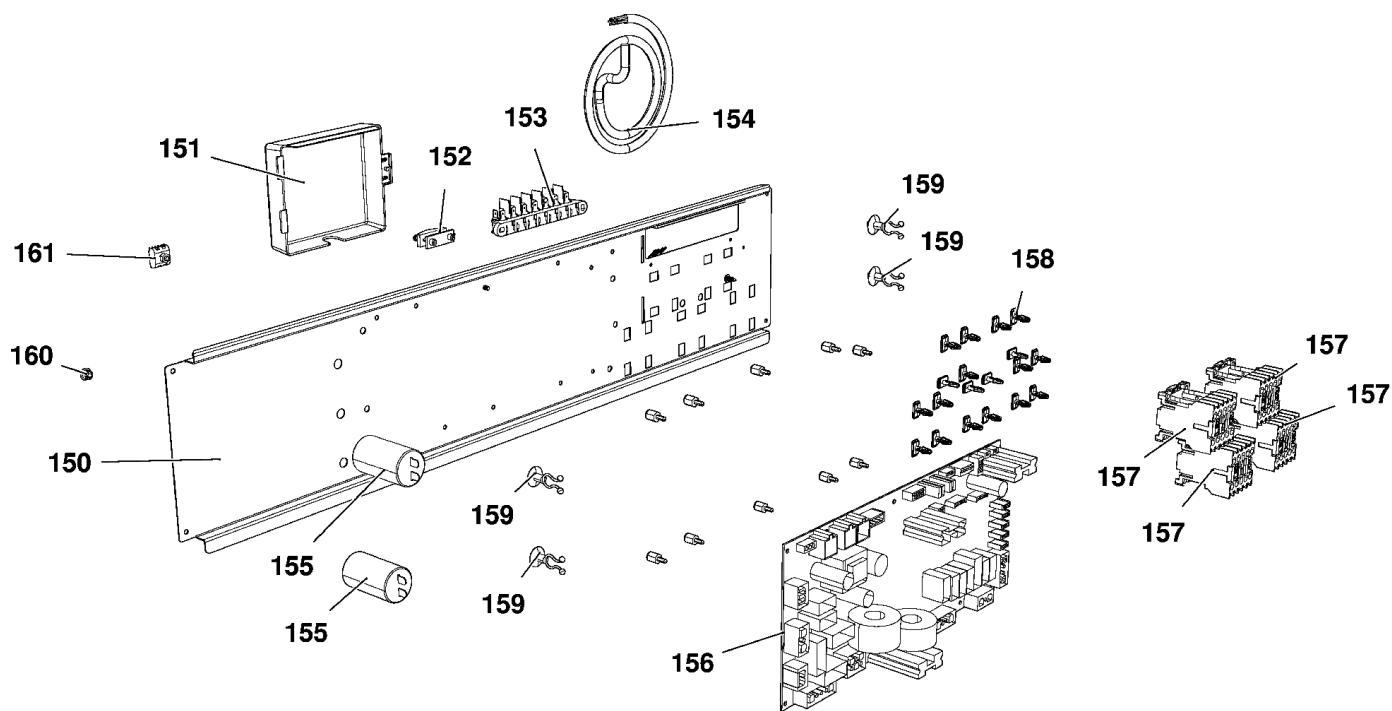
MOD:XBC605E



MOD:XBC605E



MOD:XBC605E



MOD:XBC605E



IT

Descrizione codici

1	VT1136B	VETRO ESTERNO SER. 757X743X4 CHIA
2	TB1191A	COLONNINA SX XVC505 XBC605 50X50X
3	TB2315A	COLONNINA DX XVC505E-XBC605E 50X5
4	TB1361A	LISTELLO SUP. BT S.5E 20X20X1
5	TB1362A	LISTELLO INF. BT S.5E 20X20X1
6	VM1170B	TAPPO FULCRO SUP. PORTA XVC204/30
7	VM1171B	TAPPO FULCRO INF. PORTA XVC204/30
8	VM1175A	TAPPO ESTETICO COLONNINA PORTA
9	VM1511A	BOCCOLA LISCIA PERNO PORTA CHEFFT
10	VM1510A	BOCCOLA SCANALATA PERNO PORTA XBC
11	VM2031A	PREMIVETRO ESTERNO
12	VM1896A	SUPPORTO VETRO INFERIORE
13	VM2042A	ASSIEME CHIUSURA VETRO INTERNO LA
14	VM1621A	SUPPORTO SUP BARRA LED
15	VM1620A	SUPPORTO INF BARRA LED
16	LP1002B	BARRA ILLUMINAZIONE LED L400
17	VM1490A	COPRI VITI MANIGLIA CHEFTOP BAKER
19	GN1181A	GUARNIZIONE CERN VETRO INT CR1085
20	VM1680A	CERNIERA APERTURA VETRO INTERNO
21	VM1617A	PROFILO SALVAGOCCIA 400/600/800
22	VM2014A	TUBO PER PROFILO RACCOGLI GOCCE S
23	CE1310A	CAVO COLLEGAMENTO POTENZA CONTROL
24	CE1285A	FERRITE EMI ROUND MOD. 2643801502
25	CE1665A	CAVO ALIMENTAZIONE BARRA LED 1 MT
26	VM2044A	TAPPO PER PROFILO RACCOGLI GOCCE
27	VM2015A	TUBO PER PROFILO RACCOGLI GOCCE D
28	VE1030A	CALAMITA D=22,9MM PER MICROPORTA
29	OH4310A	PROFILO INOX PARACALORE CRUSCOTTO
30	PE1740A	ASSIEME SCHEDE CONTROLLO PE1705
31	VM1180A	IMPUGNATURA MANIGLIA XVC204/304/5
32	VT1135A	VETRO INTERNO 743X620X6 BETFL

34	CR1085A	CERNIERA VETRO INT INOX SUP
35	CR1086A	CERNIERA VETRO INT INOX INF
40	TB2278A	TUBO INT. UMIDITA' 2 MOTORI Ø16X1
41	TB2277A	TUBO INT. UMIDITA' 2 MOTORI Ø16X1
42	OG1399B	CARTER ARIA XBC605E CON ALETTE
43	GN1342B	GN1000B-GUARNIZIONE PORTA XBC604-
44	RS1225A	RES. CIRCOLARE 4700W 230V D230 6
46	GN1085A	GUARNIZIONE RESISTENZA 141X24 G6.
47	VN1030A	VENTOLA D196 H81 39 PALE DADO M8
49	OH4305A	DISCO TENUTA ALBERO MOTORE INOX S
50	GN1140A	GUARNIZIONE PORTAMOTORE STAMP.
51	OG1396A	DISTANZIALE CARTER ARIA
52	RS1215A	RES. PIANA 147W 105V D230 1 SPIRA
54	GN1326A	GUARNIZIONE RESISTENZA 71X19 G6.2
55	OH2551A	TAPPO PER TUBO DI SCARICO LIQUIDI
56	GRL1268A	SUPPORTO LAT. DX 6X600X400
57	GRL1267A	SUPPORTO LAT. SX 6X600X400
58	TR1041A	SONDA AL CUORE STAMPATA L=2000
59	VM1465A	COPERCHIO Sonda TEMPERATURA CHEFT
60	GN1285A	GUARNIZIONE Sonda DI TEMPERATURA
61	TR1106A	SONDA TEMPERATURA PT100 L=2000
62	EL1020A	RACCORDO INTERMEDIO "T" TUBO Ø8
63	EL1055A	RIDUZIONE INTERMEDIA D10-D8
64	OH4851A	STAFFA SUPPORTO CABLAGGI STD
65	VN1130A	MOTORE FORNO 330W 230V 50/60HZ
67	OH3586A	LAMIERA PROTEZIONE MOTORE ZINCATO
68	EL1361A	ELETTRIVALVOLA TRI-STADIO JG D8-D
70	TB1956A	TB1520A-TUBO NERO EPDM L=50
71	RC1378A	FASCETTA STRINGI TUBO ZINCATA
72	VE1135A	ATTUATORE VENTURI 220V 50/60 HZ S
73	VL1037A	GIRANTE LAVAGGIO

74	RC1170A	DADO M14 H=8 CH=22 INOX
75	TB1515A	TUBO EST. UMIDITA' + RC1165A0
75	TB1515A	TUBO EST. UMIDITA' + RC1165A0
80	OD2150A	FIANCO SX XBC615EG
81	OD2151A	FIANCO DX XBC615EG
82	OD1875A	COPERCHIO INOX XBC405/605/805
83	OE1312A	FONDO EST. BT S.5-E
84	OF1436A	SCHIENA XBC615EG
85	PD1063A	STAFFA BLOCCAGGIO PIEDE CT BT
86	PD1060A	PORTE FISSA PIEDE CT BT
87	OH6395A	LONGHERONE BT S.5-E
88	VM1992A	CASSETTO RACCOGLI GOCCE 860
89	VM1220A	CLIP FISSAGGIO CASSETTO RACCOGLI
90	VL1026A	CURVA PER TUBO DI SCARICO
91	GN1400A	GUARNIZIONE SIFONE
92	VM2039A	ANELLO FISSAGGIO CURVA DI SCARICO
93	VM2035A	SUPPORTO PER TUBO DI SCARICO
94	VM1505A	PASSAPARETE CON DIAFRAMMA
95	VM1160B	STAFFA INFERIORE PORTA CT BT
96	VM1240A	TAPPO NYLON SUPPORTO CONTROSTAFFA
97	OH2560A	CONTROSTAFFA ZINCATA PORTA C.T.
98	VM1461A	COPERCHIO SX SCROCCO PORTA XBC/XV
99	VM1191A	SCROCCO MANIGLIA SX CT BT
100	VM1192A	COPERCHIO SCROCCO MANIGLIA CT BT
101	VM1166A	COPERCHIO STAFFA SUPERIORE PORTA
102	VM1165B	STAFFA SUPERIORE PORTA CT BT
103	VM1195A	PIASTRINA COPRIFORI XVC204/304/50
104	VM1460A	COPERCHIO DX SCROCCO PORTA XBC/XV
105	VM1190A	SCROCCO MANIGLIA DX CT BT
106	PE1971A	ASSIEME RIARMO RJ45
107	VM1556A	PROTEZIONE VENTOLA RAFFREDDAMENTO

108	VM1555A	SUPPORTO VENTOLA RAFFREDDAMENTO C
109	VN1120B	VENTOLA RAFFREDDAMENTO 12V
110	OH3790A	LAMIERA TENUTA CAMINO
111	GN1275A	GUARNIZIONE CAMINO SILICONE NERO
112	TB1924A	TUBO SILICONE VENTURI D25 XBC605
113	GN1200A	GUARNIZIONE D=24 RACCORDO 3/4 GOM
114	RC1210A	RACCORDO 3/4 VALVOLA DI NON RITOR
115	TB2237A	TUBO Ø10 ALLACCIAMENTO RETE
116	VL1034A	FILTRO ACQUA Ø10 MESH100
117	EL1185B	RACCORDO GOMITO D8F-D8F
118	EL1185A	RACCORDO A GOMITO J.GUEST Ø8 - Ø8
119	VM2028A	RONDELLA GOMMA 20X10X4
120	RC1372A	RACCORDO DRITTO Ø10M-1/4 M CIL
121	EL1195B	RACCORDO GOMITO D8F-D8M
122	RC1374A	RACCORDO 1/4 M CIL- Ø8 M
123	VL1042A	RIDUTTORE PRESSIONE CON DISTRIBUT
124	EL1252A	ELETTRIVALVOLA H2O 1 VIA RID. VER
125	OH6413A	SUPPORTO IMPIANTO IDRICO
126	VL1038A	POMPA VIBRAZIONE
127	EL1020A	RACCORDO INTERMEDIO "T" TUBO Ø8
128	TB2235A	ROCCETTO DETERGENTE TUBO Ø8
129	VL1010A	AFFONDANTE CON FILTRO
130	VL1010A	AFFONDANTE CON FILTRO
131	VL1041A	TAPPO DETERGENTE
132	TB2242A	TUBO Ø6 LAVAGGIO 2M
133	RC1373A	RACCORDO GOMITO Ø6F-Ø6F
134	VL1043A	PORTAGOMMA D4-CODOLO D6
135	OH1450A	ANGOLO FACCIATA MUFFOLA INOX XB-X
136	VM1008A	ANGOLARE INT. SUPPORTO GUARNIZION
137	VM1201A	PIASTRINA SUPPORTO MICROPORTA MAG
138	VE1020A	MICROINTERRUTTORE PORTA MAGNETICO

150	OP1006A	PORTACOMPONENTI BT EL. S. 5E
151	VM1310A	SCATOLA COPRI MORSETTIERA XB/XV/X
152	VE1075A	PRESSACAVO FV 268 RO+VITI FISSAGG
153	MR1004A	MORSETT. 7FTW GV V0 VL CU 1+2+3/4
154	CE1355A	CAVO 5X2,5MMQ H07RN-F L=1,5MT
155	VE1110A	CONDENSATORE 6,3 7F 450VAC 50/60
156	PE1725D	SCHEDE POTENZA FORNI CT-BT SS.E
157	VE1115A	MINICONTATTORE QUADRIPOLORE 20 A
158	VM1075A	CLIP DI FISSAGGIO PER TELERUTTORI
159	VM1610A	CLIP TWIST LOCK DIAM. 7,6-10,2 MM
160	VM1840A	TAPPO NYLON NERO DIAM. 9,5 MM
161	VM1750A	MORSETTIERA A PETTINE

MOD:XBC605E



EN

Codes descriptions

1	VT1136B	EXT. GLASS SILKSCREENED 757X743X4
2	TB1191A	XVC505 XBC605 ST. STEEL LEFT DOOR
3	TB2315A	XVC505E-XBC605E RIGHT DOOR COLUMN
4	TB1361A	S. E BAKERTOP DOOR UPPER LISTEL
5	TB1362A	S. E BAKERTOP DOOR LOWER LISTEL
6	VM1170B	DOOR UPPER FULCRUM-CAP XVC204/304
7	VM1171B	XVC204/304/504/70 DOOR LOWER FULC
8	VM1175A	DOOR COLUMN BLANKING CAP XVC204/3
9	VM1511A	XBC/XVC SLEEK DOOR PIN BUSHING
10	VM1510A	XBC/XVC GROOVED DOOR PIN BUSHING
11	VM2031A	EXTERNAL GLASS PUSHING PLATE
12	VM1896A	LOWER GLASS SUPPORT
13	VM2042A	INTERNAL LATERAL GLASS LOCKING SY
14	VM1621A	LED BAR UPPER SUPPORT
15	VM1620A	LED BAR LOWER SUPPORT
16	LP1002B	LED LIGHTING BAR L400
17	VM1490A	CHEFTOP/BAKERTOP HANDLE SCREWS CO
19	GN1181A	CR1085-1086 INTERNAL GLASS HINGE
20	VM1680A	INTERNAL GLASS HINGE
21	VM1617A	400/600/800 DRIP PROFILE
22	VM2014A	LEFT DRIP PROFILE PIPE
23	CE1310A	POWER - CONTROL BOARD CONNECTING
24	CE1285A	EMI ROUND FERRITE MOD.2643801502
25	CE1665A	LED 1 MT POWER SUPPLY CABLE
26	VM2044A	DRIP PROFILE CAP
27	VM2015A	RIGHT DRIPPING PIPE
28	VE1030A	MAGNET FOR DOOR MICROSWITCH D=22,
29	OH4310A	MOLDED ST. STEEL HEAT-GUARD FOR P
30	PE1740A	CONTROL BOARD PE1705 + BOARD COVE
31	VM1180A	HANDLE HAFT XVC204/304/504/704
32	VT1135A	INTERNAL GLASS 743X620X6 XBC604

34	CR1085A	INTERNAL GLASS UPPER HINGE
35	CR1086A	INTERNAL GLASS LOWER HINGE
40	TB2278A	2 MOTORS INTERNAL WATER PIPE Ø16X
41	TB2277A	2 MOTORS INTERNAL WATER PIPE Ø16X
42	OG1399B	XBC605E FAN GUARD WITH FLAPS
43	GN1342B	DOOR GASKET GN1000B FOR XBC604-60
44	RS1225A	6 T. HEATING ELEMENT 1,7+1,7+1,3
46	GN1085A	HEATING ELEMENT GASKET 141X24 G6.
47	VN1030A	MOTOR FAN D196 H81 39 BLADE NUT M
49	OH4305A	ST. STEEL SEALING DISC FOR MOTOR
50	GN1140A	MOLDED MOTOR SUPPORT GASKET
51	OG1396A	B.T. C.T. FAN GUARD SPACER
52	RS1215A	147W 105V D230 1 TURN FLAT ELEMEN
54	GN1326A	ELEMENT SEALING
55	OH2551A	XBC/XVC ST.STEEL DRAIN COVER
56	GRL1268A	RIGHT LATERAL SUPPORT 6X600X400
57	GRL1267A	LEFT LATERAL SUPPORT 6X600X400
58	TR1041A	MOLDED CORE PROBE L=2000
59	VM1465A	CHEFTOP TEMPERATURE PROBE COVER
60	GN1285A	NTC TEMPERATURE PROBE SEALING
61	TR1106A	CORE PROBE PT100 L=2000
62	EL1020A	INTERMEDIATE "T" CONNECTION Ø8
63	EL1055A	STRAIGHT REDUCTION FROM D=10 TO
64	OH4851A	BRACKET SUPPORT WIRING HARNESS ST
65	VN1130A	330W 230V 50/60HZ MOTOR
67	OH3586A	ZINCATE MOTOR GUARD PLATE XBC-XVC
68	EL1361A	J.G. THREE-STAGE SOLENOID VALVE D
70	TB1956A	TB1520A - EPDM BLACK PIPE L=50
71	RC1378A	HOSE CLAMP
72	VE1135A	VENTURI ACTUATOR 220 V 50/60 HZ S
73	VL1037A	WASHING SYSTEM ROTOR

74	RC1170A	STAINLESS STEEL NUT M14 H=8 CH=22
75	TB1515A	EXTERNAL WATER PIPE + RC1165A0
75	TB1515A	EXTERNAL WATER PIPE + RC1165A0
80	OD2150A	XBC605E/615EG EXTERNAL LEFT PANEL
81	OD2151A	XBC605E/615EG EXTERNAL RIGHT PANE
82	OD1875A	XBC405/605/805 STAINLESS STEEL CO
83	OE1312A	5 - E.S. BAKERTOP EXTERNAL BOTTOM
84	OF1436A	XBC605E/615EG EXTERNAL BACK PANEL
85	PD1063A	CT BT FOOT BLOCKING BRACKET
86	PD1060A	CT BT FOOT FIX COMPONENT
87	OH6395A	S. 5-E BAKERTOP FEET BRACKET
88	VM1992A	DRIP TRAY
89	VM1220A	CLIP TO FIX DRIP TRAY C.T.
90	VL1026A	DRAIN PIPE CURVE
91	GN1400A	U-TRAP SEAL
92	VM2039A	DRAIN CURVE FIXING RING
93	VM2035A	DRAIN PIPE SUPPORT
94	VM1505A	WALL PASSING WITH DIAPHRAGM
95	VM1160B	CT BT DOOR LOWER BRACKET
96	VM1240A	NYLON SUPPORT CAP
97	OH2560A	XBC/XVC ZINC PLAT. DOOR COUNTERBR
98	VM1461A	XBC/XVC LEFT DOOR LATCH CAP
99	VM1191A	CT BT LEFT DOOR SPRING LATCH
100	VM1192A	CT BT RIGHT DOOR SPRING LATCH COV
101	VM1166A	CAP FOR DOOR UPPER STIRRUP XVC204
102	VM1165B	CT BT DOOR UPPER BRACHET
103	VM1195A	HOLES BLANKING PLATE XVC204/304/5
104	VM1460A	XBC/XVC RIGHT DOOR LATCH CAP
105	VM1190A	CT BT RIGHT DOOR SPRING LATCH
106	PE1971A	RI45 CONNECTION + RESET POINT
107	VM1556A	XBC-XVC COOLING FAN GUARD

108	VM1555A	CT BT COOLING DOWN FAN SUPPORT
109	VN1120B	12V COOLING DOWN FAN
110	OH3790A	CHIMNEY HOLDING PLATE
111	GN1275A	BLACK SILICON XBC/XVC CHIMNEY SEA
112	TB1924A	VENTURI SILICON TUBE D25 XBC605
113	GN1200A	3/4 CONNECTION SEAL D=24 RUBBER+N
114	RC1210A	3/4 FEM. UNION +FILTER + NONRETUR
115	TB2237A	Ø10 WATER MAIN CONNECTION PIPE
116	VL1034A	Ø10 MESH100 WATER FILTER
117	EL1185B	D8F-D8F ELBOW FITTING
118	EL1185A	ELBOW CONNECTION J. GUEST Ø8 - Ø8
119	VM2028A	RUBBER WASHER 20X10X4
120	RC1372A	Ø10M-1/4 M CIL. STRAIGHT CONNECTI
121	EL1195B	D8F-D8M ELBOW CONNECTION
122	RC1374A	1/4 - Ø8 M CIL. FITTING
123	VL1042A	PRESSURE REDUCER WITH DISTRIBUTOR
124	EL1252A	ONE INLET WATER VALVE J.G.CONN.
125	OH6413A	WATER SYSTEM SUPPORT
126	VL1038A	VIBRATION PUMP
127	EL1020A	INTERMEDIATE "T" CONNECTION Ø8
128	TB2235A	Ø8 DETERGENT PIPE COIL
129	VL1010A	HOLD DOWN WEIGHT WITH FILTER
130	VL1010A	HOLD DOWN WEIGHT WITH FILTER
131	VL1041A	DETERGENT CAP
132	TB2242A	WASHING SYSTEM PIPE Ø6 2M
133	RC1373A	Ø6F-Ø6F ELBOW FITTING
134	VL1043A	D4 PIPE HOLDER - D6 J.G. TERMINAL
135	OH1450A	XB-XV-XG ST. STEEL MUFFLE FRONT C
136	VM1008A	GASKET SUPPORT INTERNAL CORNER
137	VM1201A	SUPPORT PLATE FOR DOOR MAGNETIC
138	VE1020A	MAGNETIC DOOR MICROSWITCH

150	OP1006A	E SERIES BAKERTOP COMPONENTS HOLD
151	VM1310A	COVER FOR TERMINAL BOX XB/XV/XVC/
152	VE1075A	CABLE PRESS FV 268 RO
153	MR1004A	TERMINAL 7FTW GV VO VL CU 1+2+3/4
154	CE1355A	CABLE 5 X 2,5 MMQ H07RNF L = 1,5
155	VE1110A	CONDENSER 6,3 7F 450VAC 50/60HZ
156	PE1725D	E SERIES CHEFTOP-BAKERTOP POWER C
157	VE1115A	MINICONTACTOR WITH 4 POLES 20 A 2
158	VM1075A	PLASTIC CLIP TO FIX CONTACTORS
159	VM1610A	CLIP TWIST LOCK DIAM. 7,6-10,2 MM
160	VM1840A	BLACK NYLON CAP DIAM. 9,5MM
161	VM1750A	TERMINAL BOARD