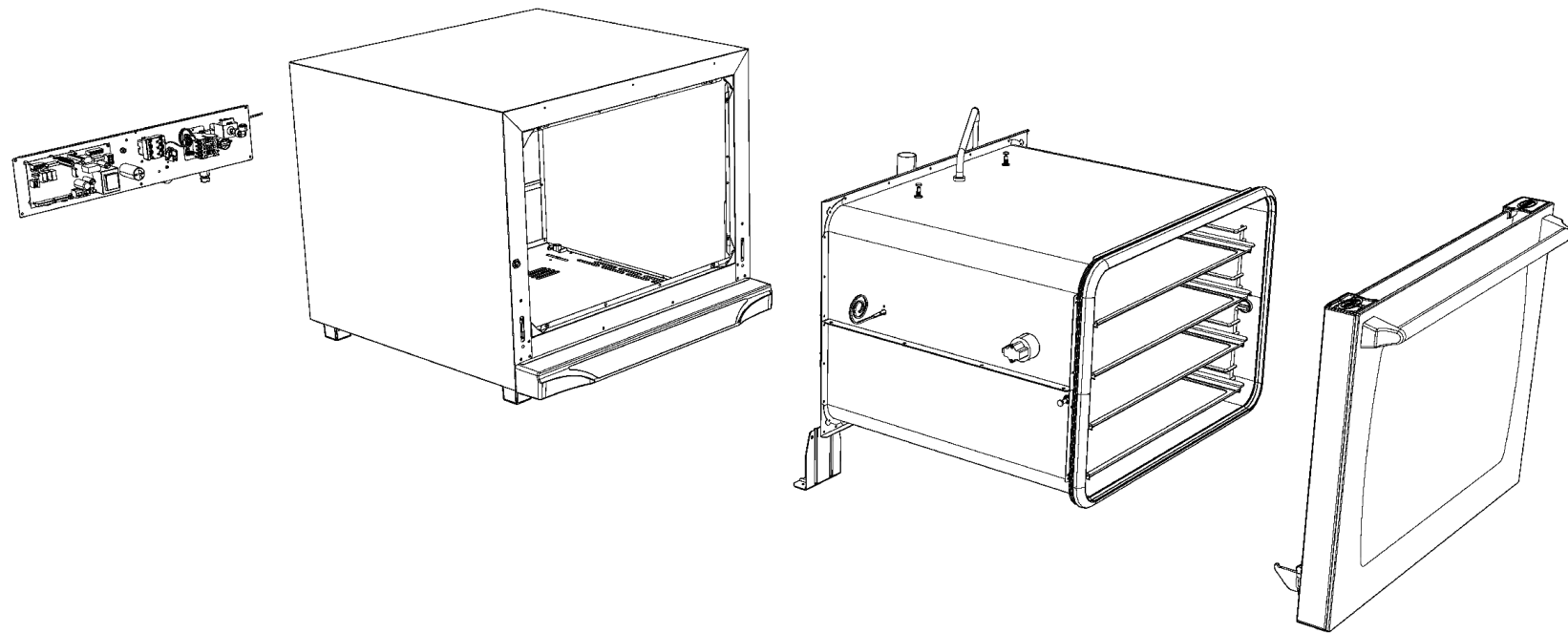
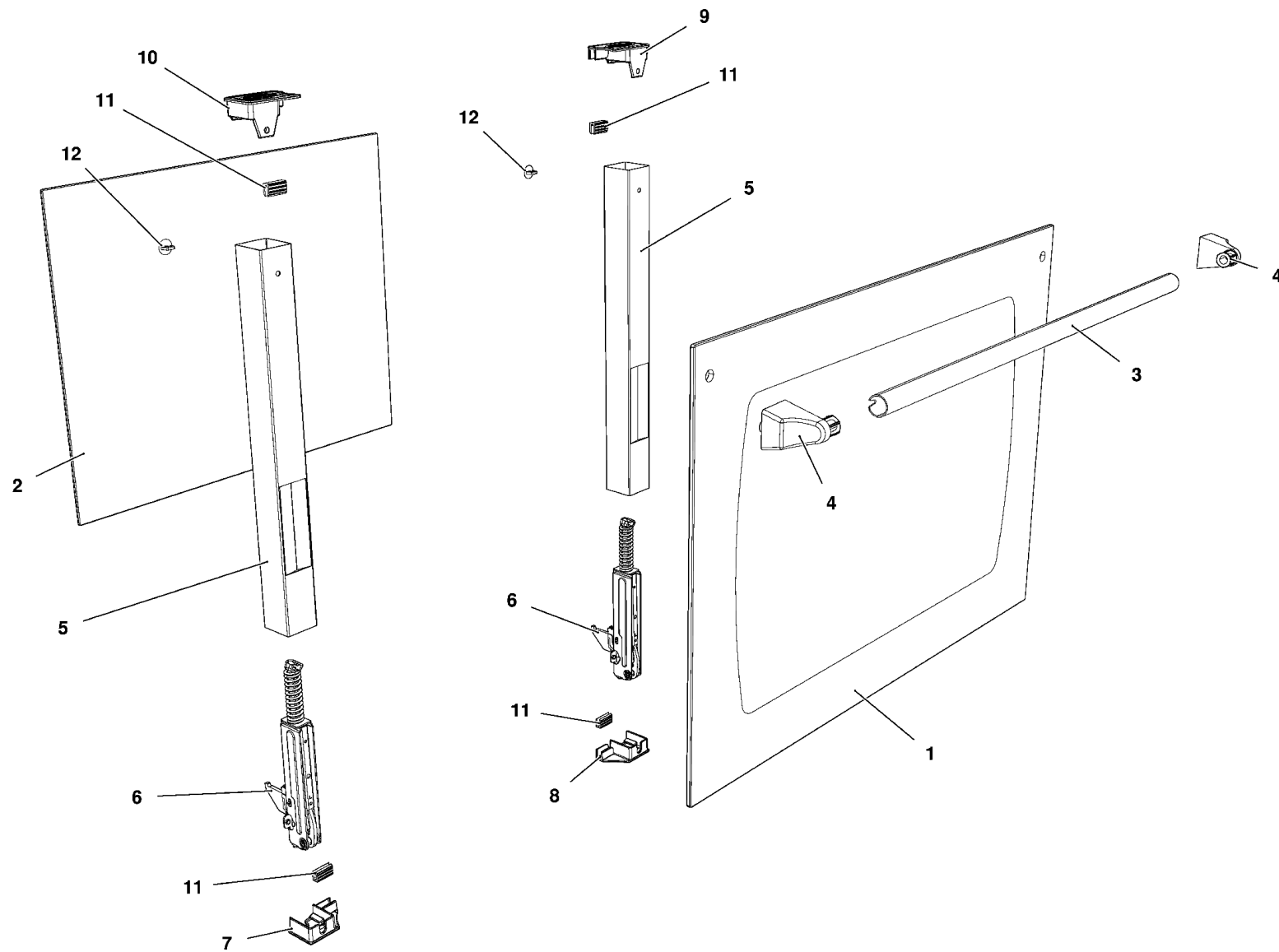


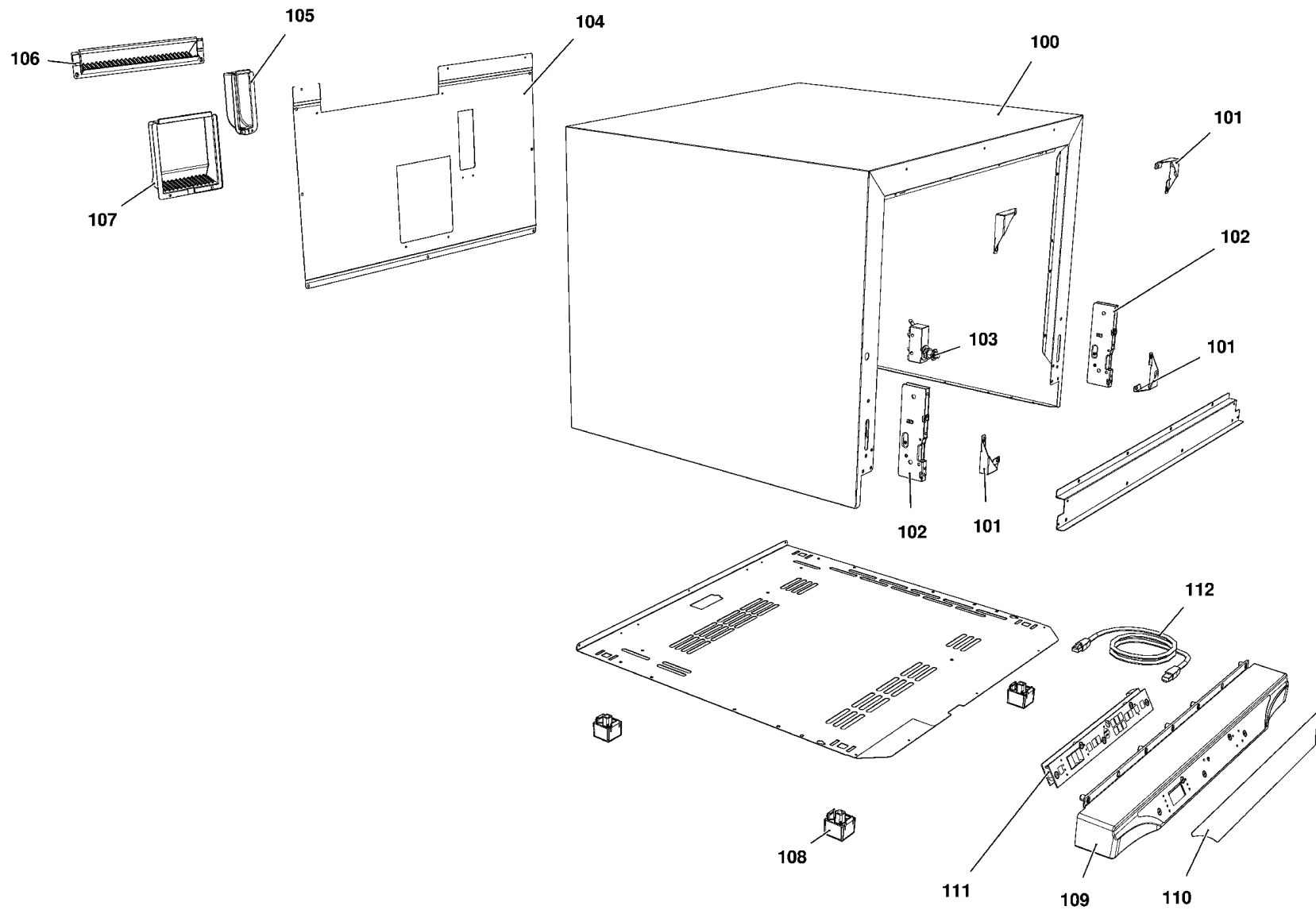
MOD:XFT135



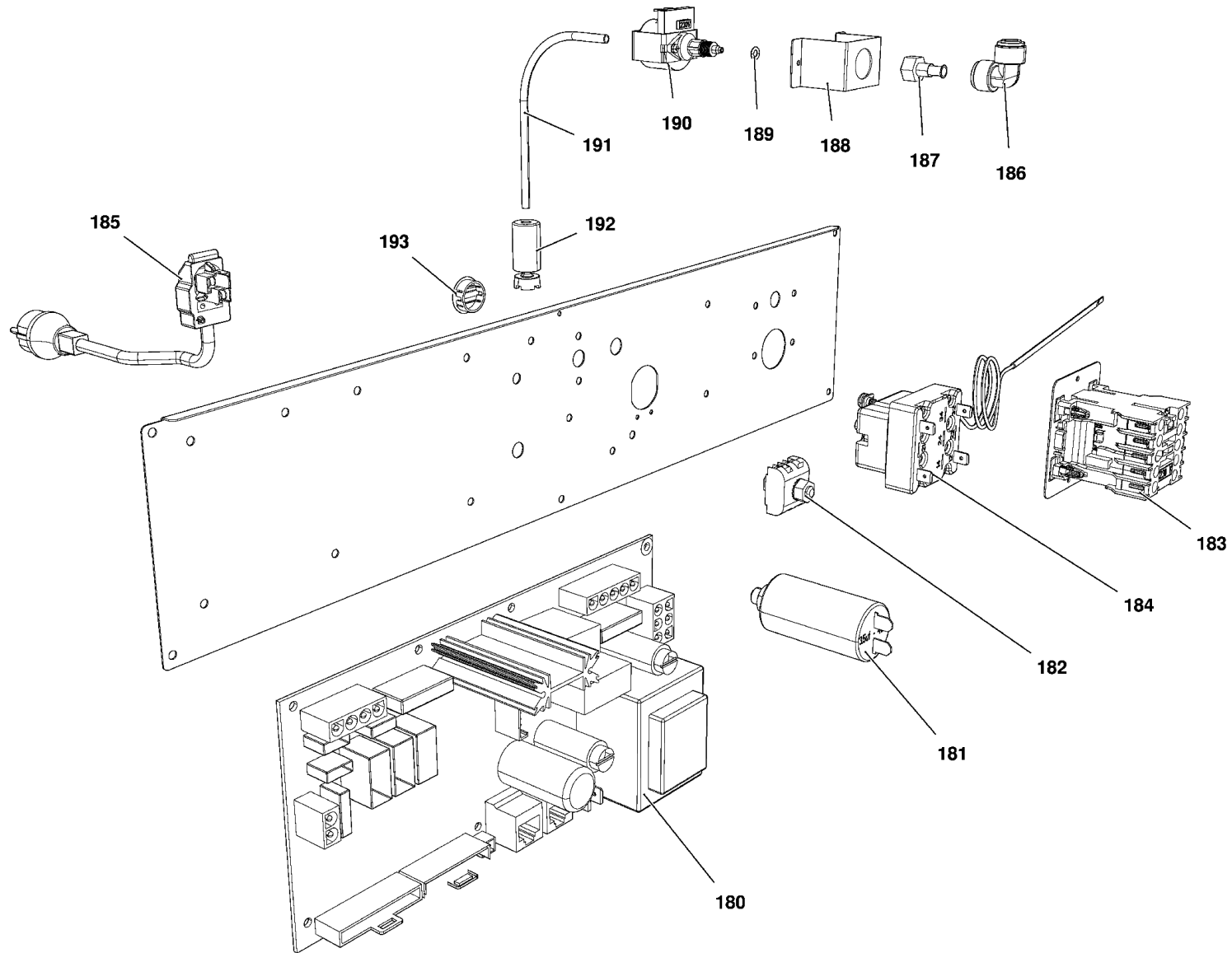
MOD:XFT135



MOD:XFT135



MOD:XFT135



MOD:XFT135



IT

Descrizione codici

1	VT1062A	VETRO ESTERNO SER. GRIGIO 598X424X5
2	VT1060A	VETRO INTERNO 515X414X4 BETFL
3	OH1925B	TUBO MANIGLIA L= 518 Ø18X1
4	MG1015B	TERMINALE MANIGLIA L.MISS/L.MICRO/CHEFTO
5	OH1425B	COLONNINA SX/DX L.M. ARIA-ROSSEL 40X40X1
6	CR1015A	CERNIERA PORTA FORNO RIBALTA L.M.
7	VM1051A	TAPPO INF. SX COLONNINA PORTA
8	VM1050A	TAPPO INF. DX COLONNINA PORTA
9	VM1045B	TAPPO SUP. DX COLONNINA PORTA
10	VM1046B	TAPPO SUP. SX COLONNINA PORTA
11	GN1130A	GUARNIZIONE SUPPORTO VETRO L.M. L=23MM
12	VM1025A	TAPPO NYLON PA66 V2 GRIGIO Ø16
40	GN1352A	GN1110A-GUARNIZIONE PORTA LM ARIANNA
41	OG1110C	CARTER ARIA LM ARIANNA
42	VN1050A	VENTOLA D=196 H=32 38 PALE INOX DADO M6
43	RS1130A	RESISTENZA CIRCOLARE D=230 3 SPIRE
44	GN1327A	GUARNIZIONE RES. 100X22
45	OH3020A	DISCO TENUTA ALBERO MOTORE
46	GN1135A	GUARNIZIONE PORTAMOTORE STAMP.
47	OH3585A	LAMIERA PROTEZIONE MOTORE ZINCATO L.M.
48	GN1270A	RONDELLA PIANA 13X5.5X0.8 CARBOGRAFITE
49	VN1035B	MOTORE SISME 230 VAC LINE MISS
50	GRL1010A	GRIGLIA LATERALE DX/SX CROMATA
51	VM1815A	NOTTOLINO M6 CROMATO FISS. GRIGLIE
52	VE1015A	PORTA LAMPADA SERIE 2 PER LAMPADA
53	VE1005A	LAMPADA HALOPIN 25W
54	GN1065A	GUARNIZIONE PORTALAMPADA DE=53.2
55	GN1055A	OR 46X2 VMQ 70 ROSSO
56	VT1195A	VETRO COPRILAMPADA BOROSILICATO TEMPRATO
57	TR1105A	SONDA TEMPERATURA PT100 L1000
58	VM2052A	COPERCHIO Sonda TEMPERATURA LM

59	OH1990A	TUBO EST. UMIDITA' + RC1165A0
60	RC1170A	DADO M14 H=8 CH=22 INOX
61	EL1055A	RIDUZIONE INTERMEDIA D10-D8
62	TB2034A	TB1815A-IMPIANTO IDRICO FORNI LMS
63	TG305	TEGLIA 460X330 PIANA ALLUMINIO
100	OD1275B	MANTELLINO LM ARIANNA
101	OH1450A	ANGOLO FACCIATA MUFFOLA INOX XB-XV-XG
102	CR1000A	ATTACCO CERNIERA PORTA FORNO RIBALTA
103	VE1295A	MICROINTERRUTTORE PORTA MK 16A 230V UL
104	OF1085B	SCHIENA LM ARIANNA
105	VM1951A	CUFFIA COPRICAMINO IP
106	VM1950A	GRONDAIA PLASTICA
107	VM1952A	COPRIMOTORE IP
108	PD1001A	PIEDINO 35X35 H26 PLASTICA+GOMMA GRIGIO
109	VM2016A	CRUSCOTTO COMANDI DYNAMIC LMISS600
110	MS1012A	MASCHERINA SERIGRAFATA DYNAMIC LM600 TOU
111	PE1980A	ASM SCHEDA CONTROLLO LMISS DYNAMIC
112	CE1012A	CAVO DI RETE RJ45 L1MT
180	PE1983A	SCHEDA POTENZA 230V LMISS DYNAMIC
181	VE1145A	CONDENSATORE 3,5 7F 450 VAC 50/60 HZ
182	VM1750A	MORSETTIERA A PETTINE
183	VE1115A	MINICONTATTATORE QUADRIPOLORE 20 A 230 V
184	TR1140A	TERM.SIC.BIP. 350°C RIARMO MANUALE
185	MR1000A	CAVO 3X1,5 H07RN-F MT1,5+K2/3+SCHUKO
186	EL1185A	RACCORDO A GOMITO J.GUEST Ø8 - Ø8
187	RC1180A	RIDUZIONE M10X1 FEMM-Ø8 INOX
188	OH3743A	SUPPORTO POMPA ULKA
189	GN1324A	O-RING GOMMA R4
190	PM1000A	POMPA ULKA NME1C+ATT SUPERIORE 10M
191	TB1856A	TB1816A-TUBO POMPA ULKA
192	VL1010A	AFFONDANTE CON FILTRO

193	VM1968A	TAPPO FORO ELETTROVALVOLA
-----	---------	---------------------------

MOD:XFT135



EN

Codes descriptions

1	VT1062A	GREY EXTERNAL GLASS 598X424X5
2	VT1060A	INNER GLASS 515X414X4 BETFL L.M. ARIANNA
3	OH1925B	ST. STEEL HANDLE TUBE EXT. D=18 TH=1 L=518
4	MG1015B	L.MISS/L.MICRO/CHEFTOP HANDLE TERMINALS
5	OH1425B	L.M. ARIANNA-ROSE LEFT/RIGHT DOOR COLUMN
6	CR1015A	HINGE L.M. ARIANNA
7	VM1051A	LOWER COVER FOR LEFT COLUMN OF
8	VM1050A	LOWER COVER FOR RIGHT COLUMN OF
9	VM1045B	RIGHT UPPER LID FOR COLUMN FOR
10	VM1046B	LEFT UPPER LID FOR COLUMN FOR
11	GN1130A	LINE MISS INT. GLASS SEAL L=23MM
12	VM1025A	NYLON LID PA66 V2 GREY Ø16
40	GN1352A	L.M. TOUCH ARIANNA DOOR GASKET - GN1110A
41	OG1110C	L.M. TOUCH ARIANNA FAN GUARD
42	VN1050A	STAINLESS STEEL FAN D=196 H=32 38 BLADES
43	RS1130A	CIRC. HEAT. ELEMENT D=230 3 TURNS
44	GN1327A	HEATING ELEMENT GASKET 100X22X0.8
45	OH3020A	MOTOR SHAFT SEALING DISC
46	GN1135A	MOTOR SUPPORT SEALING
47	OH3585A	ZINCATE MOTOR GUARD PLATE L.M.
48	GN1270A	FALT WASHER 13X5.5X0.8
49	VN1035B	LINE MISS 230 VAC MOTOR
50	GRL1010A	RIGHT/LEFT LATERAL GRID CHROM.PLATED
51	VM1815A	M6 LATERAL SUPPOTS FIXING BOLT
52	VE1015A	LAMP HOLDER SERIE 2 FOR HALOGEN LAMP
53	VE1005A	HALOGEN LAMP 33W ENERGY SAVER
54	GN1065A	SEAL FOR LAMP GLASS COVER (PURE
55	GN1055A	OR 46X2 VMQ 70 RED
56	VT1195A	BOROSILICATE LIGHT BULB GLASS COVER
57	TR1105A	TEMPERATURE PROBE PT100 L1000
58	VM2052A	LINEMISS TEMPERATURE PROBE COVER

59	OH1990A	EXTERNAL WATER PIPE + STAINLESS
60	RC1170A	STAINLESS STEEL NUT M14 H=8 CH=22
61	EL1055A	INTERMEDIATE REDUCTION FROM D=10 TO D=8
62	TB2034A	L.MISS WATER SYSTEM - TB1815A
63	TG305	TRAY 460X330 FLAT ALUMINIUM
100	OD1275B	L.MISS ARIANNA OUTER CASING
101	OH1450A	XB-XV-XG ST. STEEL MUFFLE FRONT CORNER
102	CR1000A	HINGE LATCH L.M.
103	VE1295A	DOOR MICROSWITCH MK 16A 230V UL
104	OF1085B	L.MISS ARIANNA BACK PANEL
105	VM1951A	IP CHIMNEY COVER
106	VM1950A	PLASTIC DRIP FLAP
107	VM1952A	IP MOTOR COVER
108	PD1001A	FOOT 35X35 H26 GREY PLASTIC+RUBBER
109	VM2016A	L.MISS TOUCH DYNAMIC 46X33 CONTROL BOARD
110	MS1012A	L.MISS TOUCH DYN. CONTROL BOARD STICKER
111	PE1980A	LINEMISS DYNAMIC CONTROL BOARD
112	CE1012A	RI45 CABLE L= 1 MT
180	PE1983A	LINEMISS DYNAMIC POWER CARD
181	VE1145A	CONDENSER 3.5 7F 450 VAC 50/60 HZ
182	VM1750A	TERMINAL BOARD
183	VE1115A	MINI CONTACTOR WITH 4 POLES 20 A 230 V
184	TR1140A	350°C SAFETY THERMOSTAT MANUAL RESET
185	MR1000A	CABLE 3X1,5 H07RN-F MT1,5+K2/3+SCHUKO
186	EL1185A	ELBOW CONNECTION J. GUEST Ø8 - Ø8
187	RC1180A	ST. STEEL M10X1 FEMALE-Ø8 REDUCTION
188	OH3743A	PUMP EL070 SUPPORT
189	GN1324A	RUBBER O-RING NBR70/75SH R=4
190	PM1000A	PUMP NME1C+ATT SUP PUMP M10 09.02.060/B
191	TB1856A	ULKA PUMP PIPE - TB1816A
192	VL1010A	HOLD DOWN WEIGHT WITH FILTER

193	VM1968A	SOLENOID INLET CAP
-----	---------	--------------------