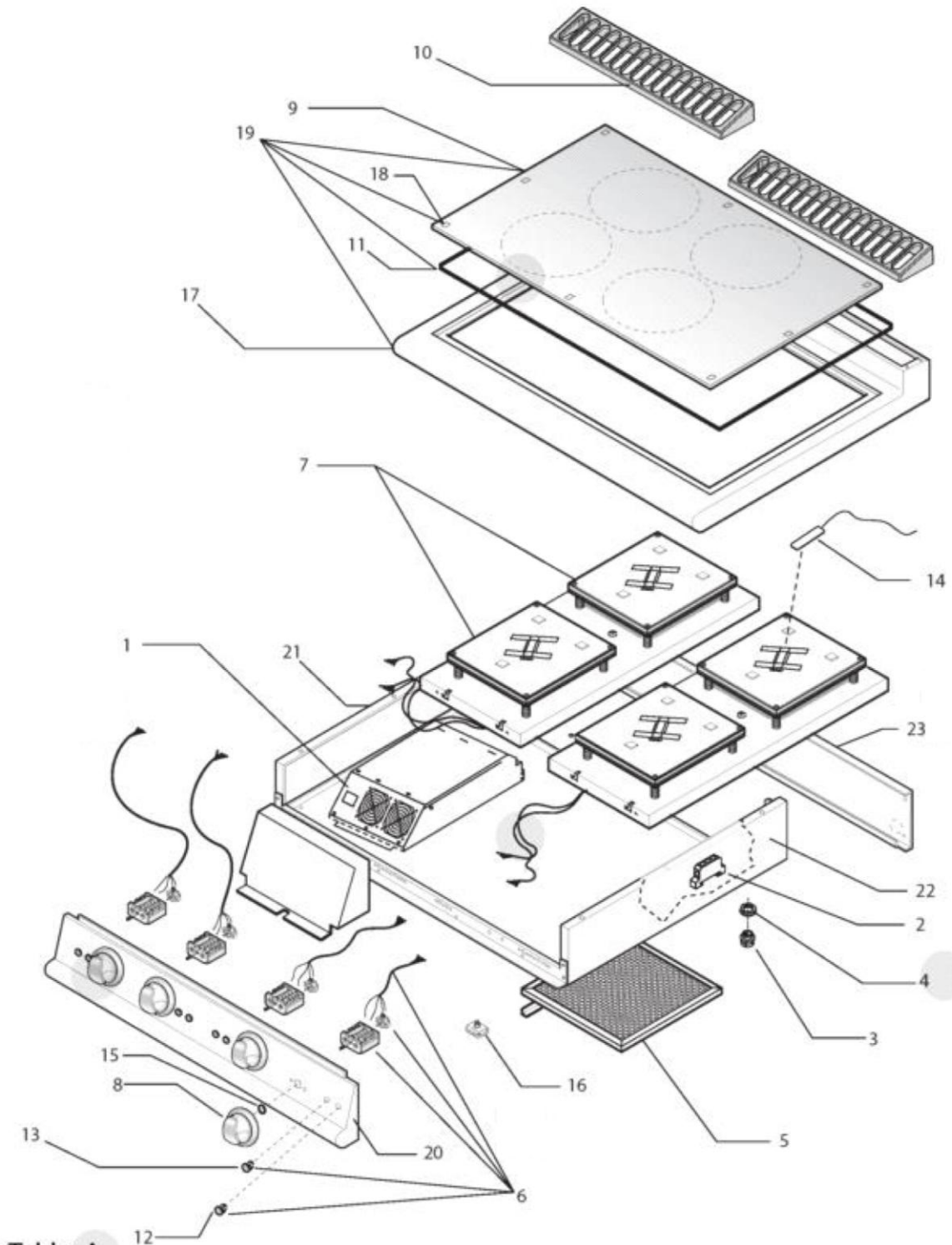


Apach
CHEF *line*

700
INDUCTION HOBS / PIANI AD INDUZIONE



Table_A

LRI87
LRI87OS
LRI87CS

Pos	Code	Description
0001	CR0739270	GENERATOR [C] 4X3,5KW
0002	MA20802799	TERMINAL [C] 6MM
0003	MA1037112400	FAIRLEAD [C]
0004	MA1037114500	LOCK NUT [C]
0005	CR0798590	AIR FILTER [C] INDUCTION TOP
0006	CR0737320	COMMAND [C]
0007	CR1079041	INDUTTOR 2x3,5kW 230V D.220 78.98005.080
0008	CR0933120R	KNOB [C] ENERGY REGULATOR 60
0009	CR0739250	GLASS CERAMIC PLATE [C]
0010	CR0901240	PROTECTION GRID [C] SMOKE DRAIN M40
0011	CR0411400	SILICONE [C]
0012	CR0974470	GREEN PILOT LAMP [C]
0013	CR0974480	GREEN PILOT LAMP [C]
0014	CR0974450R	SENSOR [C]
0015	CR0587650	GASKET
0016	MA1878400	TERMINAL BLOCK [C]
0017	CR0907490	SHELF [C] INDUCTION RANGE M80 700
0018	CR0506420	GASKET [C] 10X3
0019	CR1097200	KIT ASS.PIANO IND.M80 700
0020	CR0901840	FRONT PANEL ASSEMBLY [C] INDUCTION RANGES M80
0021	CR0907090	SIDE PANEL LH TOP 700
0022	CR0907070	ASS.FIANCO DX TOP 700
0023	CR0583380	BACK PANEL [C] M80