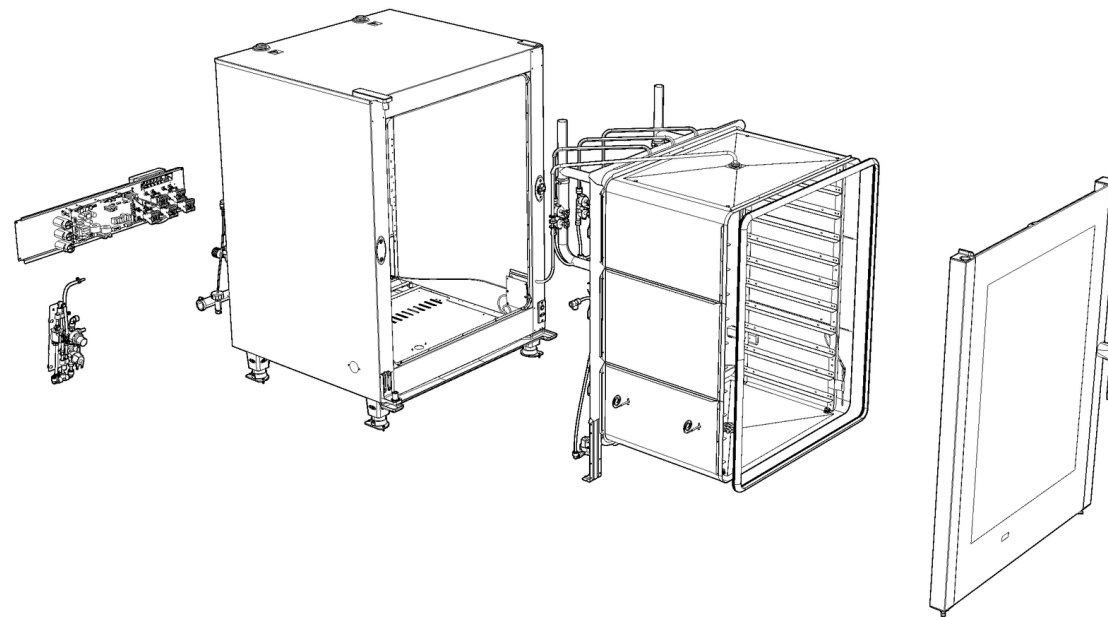
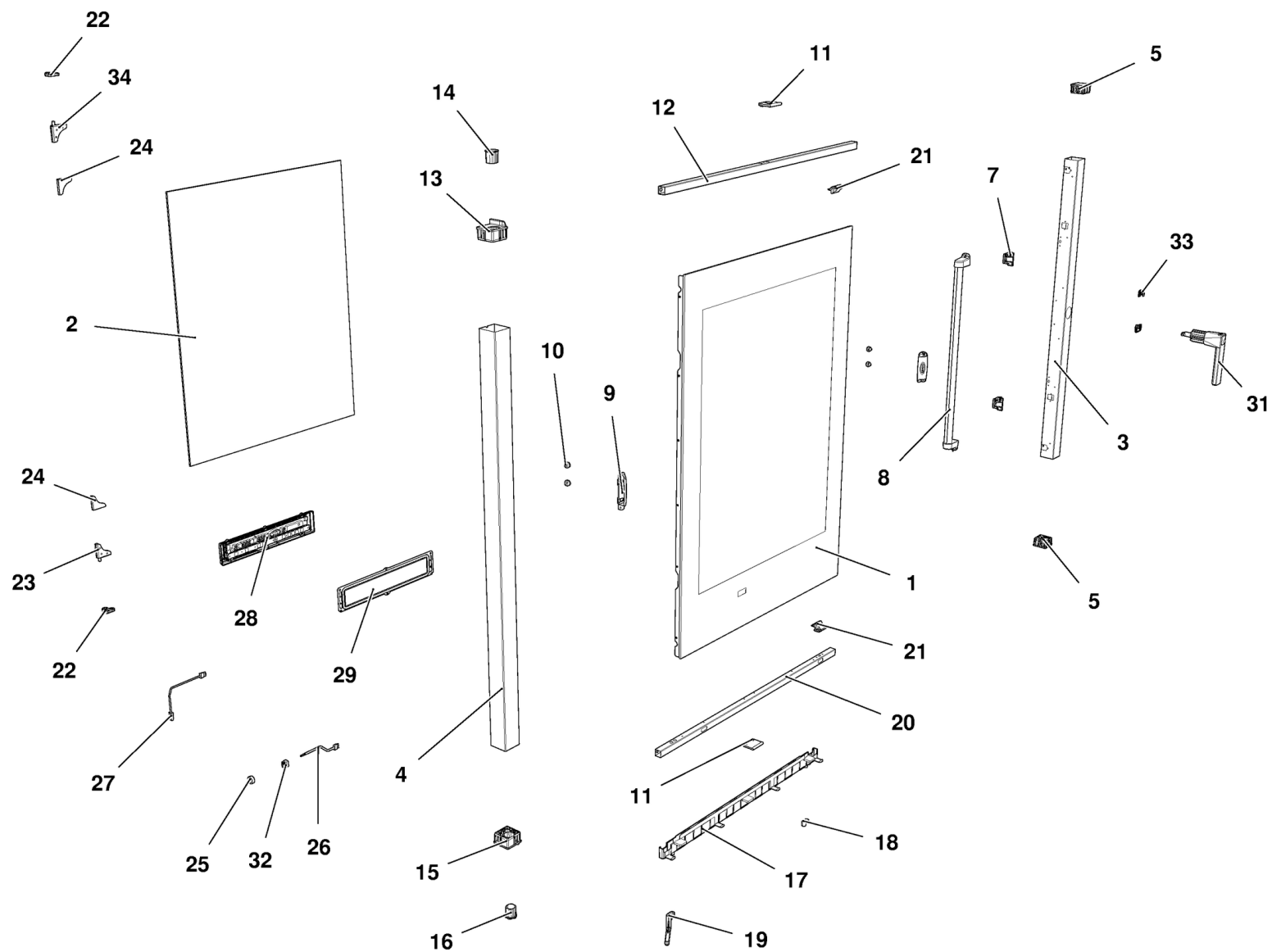


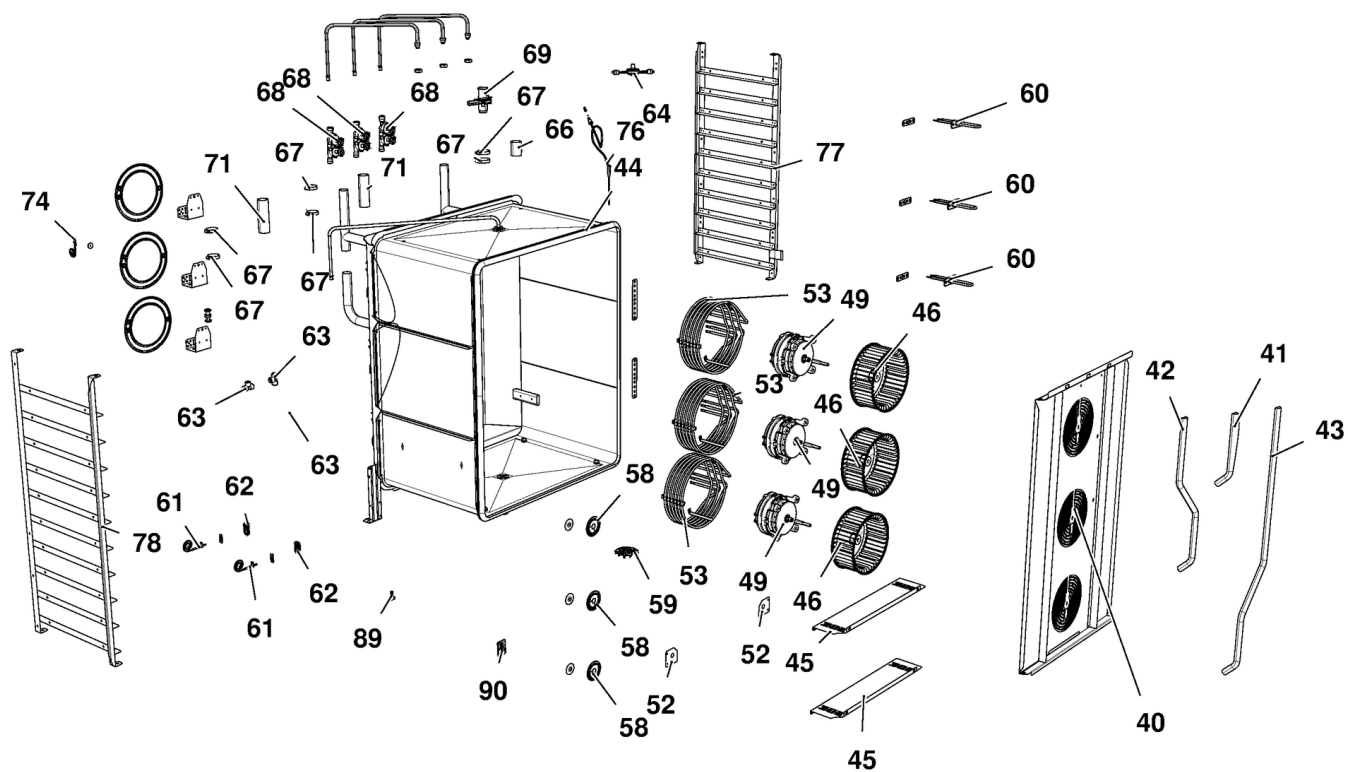
MOD:XBC805E



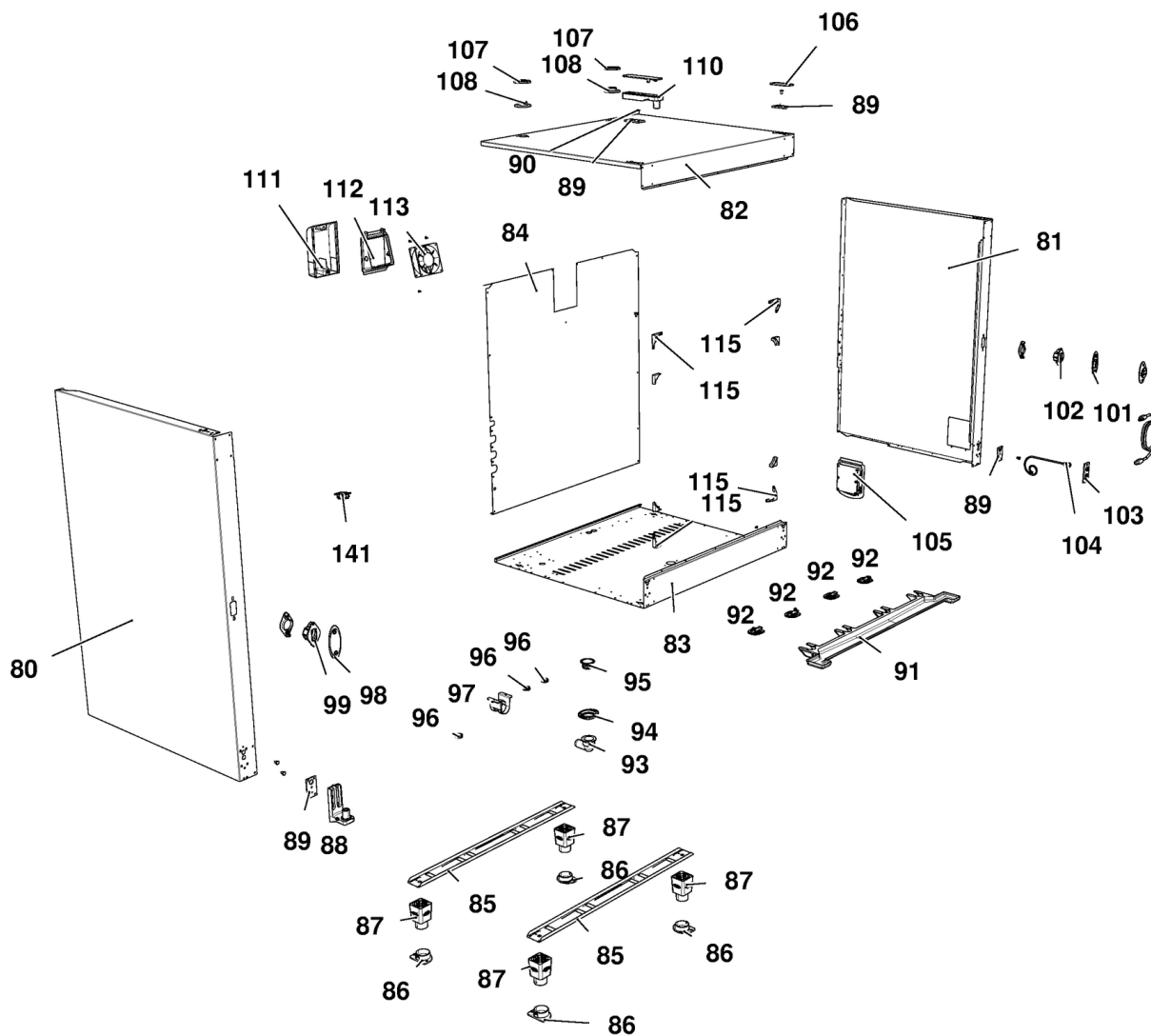
MOD:XBC805E



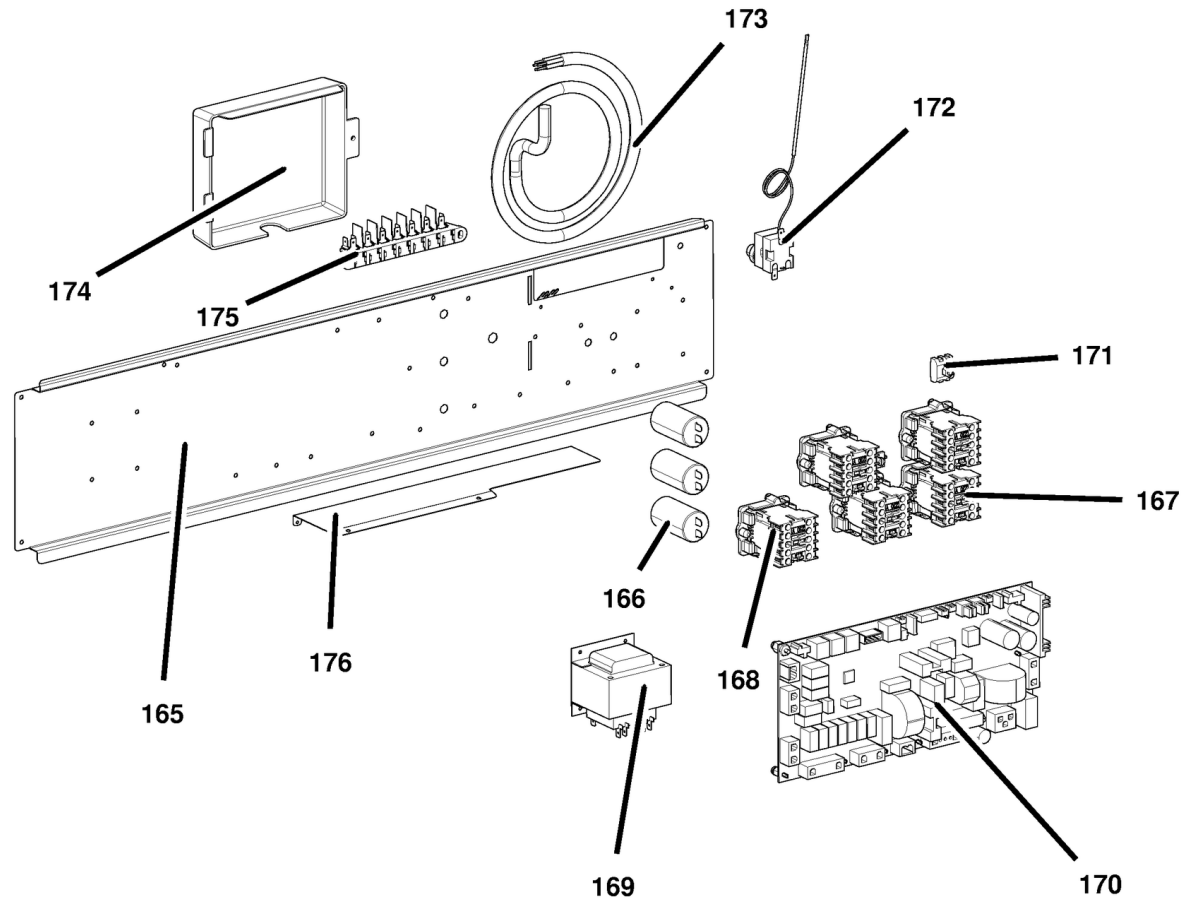
MOD:XBC805E



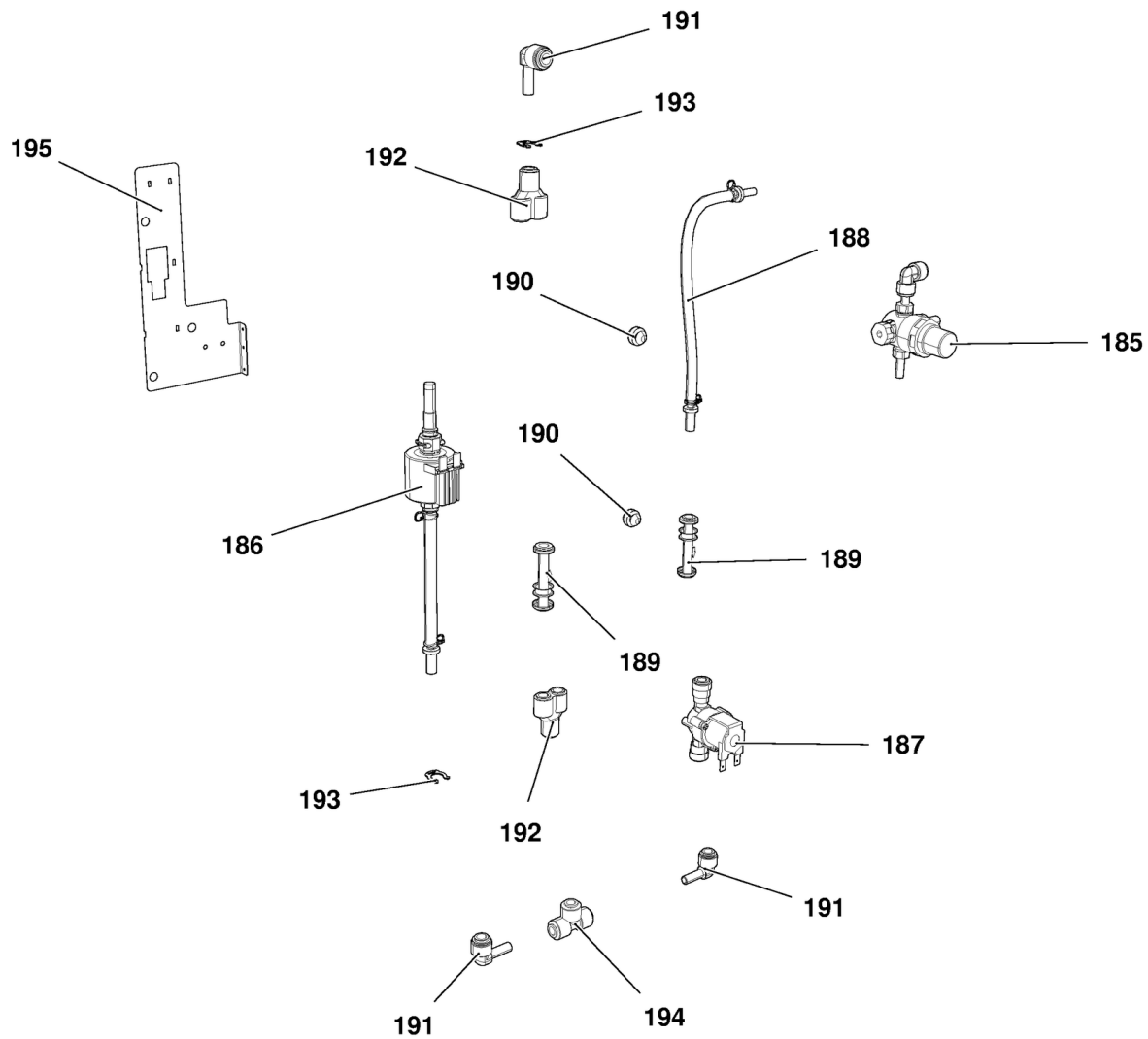
MOD:XBC805E



MOD:XBC805E



MOD:XBC805E



MOD:XBC805E



IT

Descrizione codici

1	VT1141C	VETRO ESTERNO SER. 757X1063X5
2	VT1140A	VETRO INTERNO 743X940X6 BETFL
3	TB2318A	COLONNINA DX XBC805E 50x50x1.2
4	TB1201A	COLONNINA SX PORTA XBC805 50x50x1.2
5	VM1175A	TAPPO ESTETICO COLONNINA PORTA
7	VM2042A	ASSIEME CHIUSURA VETRO INTERNO LAT
8	LP1003B	BARRA ILLUMINAZIONE LED L600
9	VM1590A	STAFFA SPINGIVETRO INTERNO XVC705 XBC805
10	VM1630A	TAPPO PREMI VETRO INTERNO
11	VM2031A	PREMIVETRO ESTERNO
12	TB1361A	LISTELLO SUP. BT S.5E 20x20x1
13	VM1170B	TAPPO FULCRO SUP. PORTA XVC204/304/504/7
14	VM1511A	BOCCOLA LISCIA PERNO PORTA CHEFTOP
15	VM1171B	TAPPO FULCRO INF. PORTA XVC204/304/504/7
16	VM1510A	BOCCOLA SCANALATA PERNO PORTA XBC/XVC
17	VM1617A	PROFILO SALVAGOC CIA 400/600/800
18	VM2044A	TAPPO PER PROFILO RACCOGLI GOCCE
19	VM2014A	TUBO PER PROFILO RACCOGLI GOCCE SX
20	TB1362A	LISTELLO INF. BT S.5E 20x20x1
21	VM2043A	SUPPORTO VETRO SUP - INF
22	VM1680A	CERNIERA APERTURA VETRO INTERNO
23	CR1086A	CERNIERA VETRO INT INOX INF
24	GN1181A	GUARNIZIONE CERN VETRO INT CR1085-1086
25	CE1285A	FERRITE EMI ROUND MOD. 2643801502
26	CE1310A	CAVO COLLEGAMENTO POTENZA CONTROLLO L3.5
27	CE1665A	CAVO ALIMENTAZIONE BARRA LED 1 MT
28	PE1740C	SCHEDA CONTROLLO PE1705 CT BT
29	VM1145A	CORNICE CRUSCOTTO C.T.
31	VM1180A	IMPUGNATURA MANIGLIA XVC204/304/504/704
32	CE1290A	MORSETTO FEMMINA ESTRAIBILE CPF 5/4
33	VM1490A	COPRI VITI MANIGLIA CHEFTOP BAKERTOP

34	CR1085A	CERNIERA VETRO INT INOX SUP
40	OG1482A	CARTER ARIA 805E CON ALETTE
41	TB2270A	TUBO INT UMIDITA CENTR 3 MOTORI Ø16x1
42	TB2271A	TUBO INT UMIDITA SX 3 MOTORI Ø16x1
43	TB2272A	TUBO INT UMIDITA DX 3 MOTORI Ø16x1
44	GN1343C	GN1006A - GUARNIZIONE PORTA XBC805E
45	OG1396A	DISTANZIALE CARTER ARIA
46	VN1030A	VENTOLA D196 H81 39 PALE DADO M8
49	VN1130A	MOTORE FORNO 330W 230V 50/60HZ
52	OG1343A	RIDUTTORE CAMINO
53	RS1225A	RES. CIRCOLARE 4700W 230V D230 6 SPIRE
58	OH4305A	DISCO TENUTA ALBERO MOTORE INOX STP
59	OH2551A	TAPPO PER TUBO DI SCARICO LIQUIDI INOX C
60	RS1215A	RES. PIANA 147W 105V D230 1 SPIRA
61	TR1106A	SONDA TEMPERATURA PT100 L2000
62	VM1465A	COPERCHIO Sonda TEMPERATURA CHEFTOP
63	EL1020A	RACCORDO INTERMEDIO "T" TUBO ø8
64	VM1955A	CORPO GIRANTE LAVAGGIO
66	TB1956A	TB1520A-TUBO NERO EPDM L=50
67	RC1378A	FASCETTA STRINGI TUBO ZINCATA
68	EL1361A	ELETTROVALVOLA TRI-STADIO JG D8-D10
69	VE1135A	ATTUATORE VENTURI 220V 50/60 Hz SERIE 2
71	TB2053A	TB1520A-TUBOD.Int38 SP4 L120
74	PE1710A	SENSORE NUMERO GIRI MOTORE
76	TR1041A	SONDA AL CUORE STAMPATA L=2000
77	GRL1265A	SUPPORTO LAT. SX 10 600x400
78	GRL1266A	SUPPORTO LAT. DX 10X600X400
89	GN1531A	GUARNIZIONE TENUTA INGRESSO BULBO
90	OH7030A	COPERCHIO INGRESSO BULBO
80	OD1497A	FIANCO SX XBC815EG
81	OD1498A	FIANCO DX XBC815EG

82	OD1875A	COPERCHIO INOX XBC405/605/805
83	OE1312A	FONDO EST. BT S.5-E
84	OF1435A	SCHIENA XBC805E
85	OH6395A	LONGHERONE BT S.5-E
86	PD1063A	STAFFA BLOCCAGGIO PIEDE CT BT
87	PD1066B	PIEDE H100 PLASTICA BICOMPONENTE
88	VM1160B	STAFFA INFERIORE PORTA CT BT
89	OH2560A	CONTROSTAFFA ZINCATA PORTA C.T.
90	VM1240A	TAPPO NYLON SUPPORTO CONTROSTAFFA
91	VM1992A	CASSETTO RACCOGLI GOCCE 860
92	VM2074A	CLIP CON VITE PER SUPPORTO CASSETTO
93	VL1026A	CURVA PER TUBO DI SCARICO
94	VM2039A	ANELLO FISSAGGIO CURVA DI SCARICO
95	GN1400A	GUARNIZIONE SIFONE
96	VM1505A	PASSAPARETE CON DIAFRAMMA
97	VM2035A	SUPPORTO PER TUBO DI SCARICO
98	VM1461A	COPERCHIO SX SCROCCO PORTA XBC/XVC
99	VM1191A	SCROCCO MANIGLIA SX CT BT
101	VM1460A	COPERCHIO DX SCROCCO PORTA XBC/XVC
102	VM1190A	SCROCCO MANIGLIA DX CT BT
103	VM1201A	PIASTRINA SUPPORTO MICROPORTA MAGNETICO
104	VE1020A	MICROINTERRUTTORE PORTA MAGNETICO
105	PE1971B	ASM SCHEDA UNOX.LINK MODBUS RJ45+USB
106	VM1195A	PIASTRINA COPRIFORI XVC204/304/504/704
107	OH3790A	LAMIERA TENUTA CAMINO
108	GN1275A	GUARNIZIONE CAMINO SILICONE NERO XVC
110	VM1165B	STAFFA SUPERIORE PORTA CT BT
111	VM1556A	PROTEZIONE VENTOLA RAFFREDDAMENTO CT-BT
112	VM1555A	SUPPORTO VENTOLA RAFFREDDAMENTO CT BT
113	VN1163A	VENTOLA RAFFREDDAMENTO 230V
115	OH1450A	ANGOLO FACCIATA MUFFOLA INOX XB-XV-XG

141	VM2061A	PASSAPARETE CAVI ACCESSORI COMPLETO
165	OP1006B	PORTACOMPONENTI BT EL S.5E
166	CN1003A	CONDENSATORE CORAZZATO 6,3 uF
167	VE1115A	MINICONTATTORE QUADRIPOLE 20 A 230 V
168	VM1056A	STAFFA TELERUTTORE PICCOLO VE1115A
169	VE1026A	TRASFORMATORE 230-21-12Vac 90VA
170	PE1725E	SCHEDA POTENZA FORNI CT-BT S5.E 21Vac
171	VM1750A	MORSETTIERA A PETTINE
172	TR1136A	TERMOSTATO SIC. UNIP. 330°C
173	CE1460A	CAVO 5X4MMQ H07RN-F L=1,8MT
174	VM1310A	SCATOLA COPRI MORSETTIERA XB/XV/XVC/XG
175	MR1004A	MORSETT. 7FTW GV V0 VL CU 1+2+3/4+5+6
176	OH7078A	PROFILO PROTEZIONE SCHEDA POTENZA H70
185	VL1014A	RIDUTTORE DI PRESSIONE CON DISTRIBUTORE
186	VL1038A	POMPA VIBRAZIONE
187	EL1411A	ELETTROVALVOLA H2O CON CHECK VALVE
188	TB2403A	TUBO PVC Ø9X6 L 250 MM
189	EL1180A	RACCORDO NON RITORNO Ø8 Ø8 FEMMINA
190	VM1630A	TAPPO PREMI VETRO INTERNO
191	EL1195B	RACCORDO GOMITO D8F-D8M
192	EL1115B	RACCORDO Y D8
193	EL1345A	CLIP BLOCCA PINZETTA RACCORDI Ø8
194	EL1020A	RACCORDO INTERMEDIO "T" TUBO ø8
195	OH6413A	SUPPORTO IMPIANTO IDRICO

MOD:XBC805E



EN

Codes descriptions

1	VT1141C	EXTERNAL GLASS 757X1063X5
2	VT1140A	INTERNAL GLASS 743x940x6 BETFL
3	TB2318A	XBC805E RIGHT DOOR COLUMN
4	TB1201A	XBC805 ST. STEEL LEFT DOOR COLUMN
5	VM1175A	DOOR COLUMN BLANKING CAP
7	VM2042A	INTERNAL GLASS LATERAL LOCKING SYSTEM
8	LP1003B	LED LIGHT BAR L600
9	VM1590A	XVC705 XBC805 GLASS PUSHING BRACKET
10	VM1630A	INTERNAL GLASS PUSHING CAP
11	VM2031A	EXTERNAL GLASS PUSHING PLATE
12	TB1361A	S. E BAKERTOP DOOR UPPER LISTEL
13	VM1170B	UPPER DOOR FULCRUM CAP
14	VM1511A	XBC/XVC SLEEK DOOR PIN BUSHING
15	VM1171B	DOOR LOWER FULCRUM CAP
16	VM1510A	XBC/XVC GROOVED DOOR PIN BUSHING
17	VM1617A	DRIP PROFILE
18	VM2044A	DRIP PROFILE CAP
19	VM2014A	LEFT DRIP PROFILE PIPE
20	TB1362A	S. E BAKERTOP DOOR LOWER LISTEL
21	VM2043A	UPPER - LOWER GLASS SUPPORT
22	VM1680A	INTERNAL GLASS HINGE
23	CR1086A	INTERNAL GLASS LOWER HINGE
24	GN1181A	INTERNAL GLASS HINGE SEAL
25	CE1285A	EMI ROUND FERRITE MOD.2643801502
26	CE1310A	POWER - CONTROL BOARD CONNECTING CABLE
27	CE1665A	LED POWER SUPPLY 1 M CABLE
28	PE1740C	CT BT CONTROL BOARD PE1705 + BOARD COVER
29	VM1145A	C.T. BOARD FRAME
31	VM1180A	4 AND 5 SERIES CT BT HANDLE HAFT
32	CE1290A	EXTRACTABLE FEMALE TERMINAL CPF 5/4
33	VM1490A	CHEFTOP/BAKERTOP HANDLE SCREWS COVER

34	CR1085A	INTERNAL GLASS UPPER HINGE
40	OG1482A	XBC805E FAN GUARD WITH FLAPS
41	TB2270A	3 MOTORS INTERNAL CENTR WATER PIPE Ø16x1
42	TB2271A	3 MOTORS INTERNAL LEFT WATER PIPE Ø16x1
43	TB2272A	3 MOTORS INTERNAL RIGHT WATER PIPE Ø16x1
44	GN1343C	XBC805E DOOR GASKET - GN1006A
45	OG1396A	B.T. C.T. FAN GUARD SPACER
46	VN1030A	MOTOR FAN D196 H81 39 BLADE NUT M8
49	VN1130A	330W 230V 50/60HZ MOTOR
52	OG1343A	CHIMNEY REDUCER UNIT
53	RS1225A	6 T. HEATING ELEMENT 1,7+1,7+1,3 KW 230V
58	OH4305A	ST. STEEL MOTOR SHAFT SEALING DISC
59	OH2551A	XBC/XVC ST.STEEL DRAIN COVER
60	RS1215A	147W 105V D230 1 TURN FLAT ELEMENT
61	TR1106A	TEMPERATURE PROBE PT100 L=2000
62	VM1465A	CHEFTOP TEMPERATURE PROBE COVER
63	EL1020A	INTERMEDIATE "T" CONNECTION Ø8
64	VM1955A	WASHING SYSTEM ROTOR
66	TB1956A	TB1520A - EPDM BLACK PIPE L=50
67	RC1378A	HOSE CLAMP
68	EL1361A	J.G. THREE-STAGE SOLENOID VALVE D8-D10
69	VE1135A	VENTURI ACTUATOR 220 V 50/60 Hz SERIES 2
71	TB2053A	TB1520A-TUBO D.int38 SP4 L120
74	PE1710A	MOTOR REVOLUTIONS SENSOR
76	TR1041A	MOLDED CORE PROBE L=2000
77	GRL1265A	LEFT LATERAL SUPPORT 10 600x400
78	GRL1266A	RIGHT LATERAL SUPPORT 10 600x400
89	GN1531A	PROBE SEALING
90	OH7030A	INLET COVER BULB
80	OD1497A	XBC805E/815EG EXTERNAL LEFT SIDE PANEL
81	OD1498A	XBC805E/815EG EXTERNAL RIGHT SIDE PANEL

82	OD1875A	XBC405/605/805 STAINLESS STEEL COVER
83	OE1312A	5 - E S. BAKERTOP EXTERNAL BOTTOM PANEL
84	OF1435A	XBC805E/815EG EXTERNAL BACK PANEL
85	OH6395A	S. 5-E BAKERTOP FEET BRACKET
86	PD1063A	CT BT FOOT STOP BRACKET
87	PD1066B	BI-COMPONENT FOOT H100
88	VM1160B	CT BT DOOR LOWER BRACKET
89	OH2560A	XBC/XVC ZINC PLAT. DOOR COUNTERBRACKET
90	VM1240A	NYLON SUPPORT CAP
91	VM1992A	E SERIES BAKERTOP DRIP TRAY
92	VM2074A	C.T. DRIP TRAY FIXING CLIP WITH SCREW
93	VL1026A	BEND FOR DRAIN PIPE
94	VM2039A	DRAIN BEND FIXING RING
95	GN1400A	U-TRAP SEAL
96	VM1505A	WALL PASSING WITH DIAPHRAGM
97	VM2035A	DRAIN PIPE SUPPORT
98	VM1461A	XBC/XVC LEFT DOOR LATCH CAP
99	VM1191A	CT BT LEFT DOOR SPRING LATCH
101	VM1460A	XBC/XVC RIGHT DOOR LATCH CAP
102	VM1190A	CT BT RIGHT DOOR SPRING LATCH
103	VM1201A	MAGNETIC SUPPORT PLATE FOR DOOR MICROSW.
104	VE1020A	MAGNETIC DOOR MICROSWITCH
105	PE1971B	UNOX.LINK MODBUS RJ45+USB
106	VM1195A	HOLES BLANKING PLATE XVC204/304/504/704
107	OH3790A	CHIMNEY HOLDING PLATE
108	GN1275A	XBC/XVC BLACK CHIMNEY SEALING
110	VM1165B	CT BT DOOR UPPER BRACKET
111	VM1556A	XBC-XVC COOLING FAN GUARD
112	VM1555A	CT BT COOLING DOWN FAN SUPPORT
113	VN1163A	COOLING FAN 230V
115	OH1450A	XB-XV-XG ST. STEEL MUFFLE FRONT CORNER

141	VM2061A	ACCESSORIES CABLES WALL PASSING
165	OP1006B	E SERIES BAKERTOP COMPONENTS HOLDER
166	CN1003A	CONDENSER6,3 UF
167	VE1115A	MINI CONTACTOR WITH 4 POLES 20 A 230 V
168	VM1056A	SUPPORT MINI CONTACTOR VE1115A
169	VE1026A	TRANSFORMER 230-21-12Vac 80VA
170	PE1725E	E SERIES CHEFTOP-BAKERTOP POWER CARD
171	VM1750A	TERMINAL BOARD
172	TR1136A	SAFETY THERMOSTAT UNIP. 330°C
173	CE1460A	CABLE 5X4MMQ H07RN-F L=1,8MT
174	VM1310A	COVER FOR TERMINAL BOX XB/XV/XVC/XG
175	MR1004A	TERMINAL 7FTW GV V0 VL CU 1+2+3/4+5+6
176	OH7078A	POWER CARD PROTECTING PROFILE H70
185	VL1014A	PRESSURE REDUCER WITH DISTRIBUTOR
186	VL1038A	VIBRATION PUMP
187	EL1411A	SOLENOID VALVE WITH CHECK VALVE
188	TB2403A	Ø9X6 L 250 MM PVC PIPE
189	EL1180A	Ø8 Ø8 FEMALE NON-RETURN CONNECTION
190	VM1630A	INTERNAL GLASS PUSHING CAP
191	EL1195B	D8F-D8M ELBOW CONNECTION
192	EL1115B	Y D8 CONNECTION
193	EL1345A	CLIP TO FIX Ø8 mm CONNECTION JOINT
194	EL1020A	INTERMEDIATE "T" CONNECTION Ø8
195	OH6413A	WATER SYSTEM SUPPORT