

**SPARE PARTS CATALOGUE
ERSATZTEILKATALOG
CATALOGUE PIECES DETACHEES
CATALOGO PARTI RICAMBIO
CATALOGO DE PIEZAS DE RECAMBIO
CATALOGO PECAS, DE REPOSICAO**

Catalogo parti di ricambio valido
dalla matricola 4365999 ad oggi (19/03/2021)

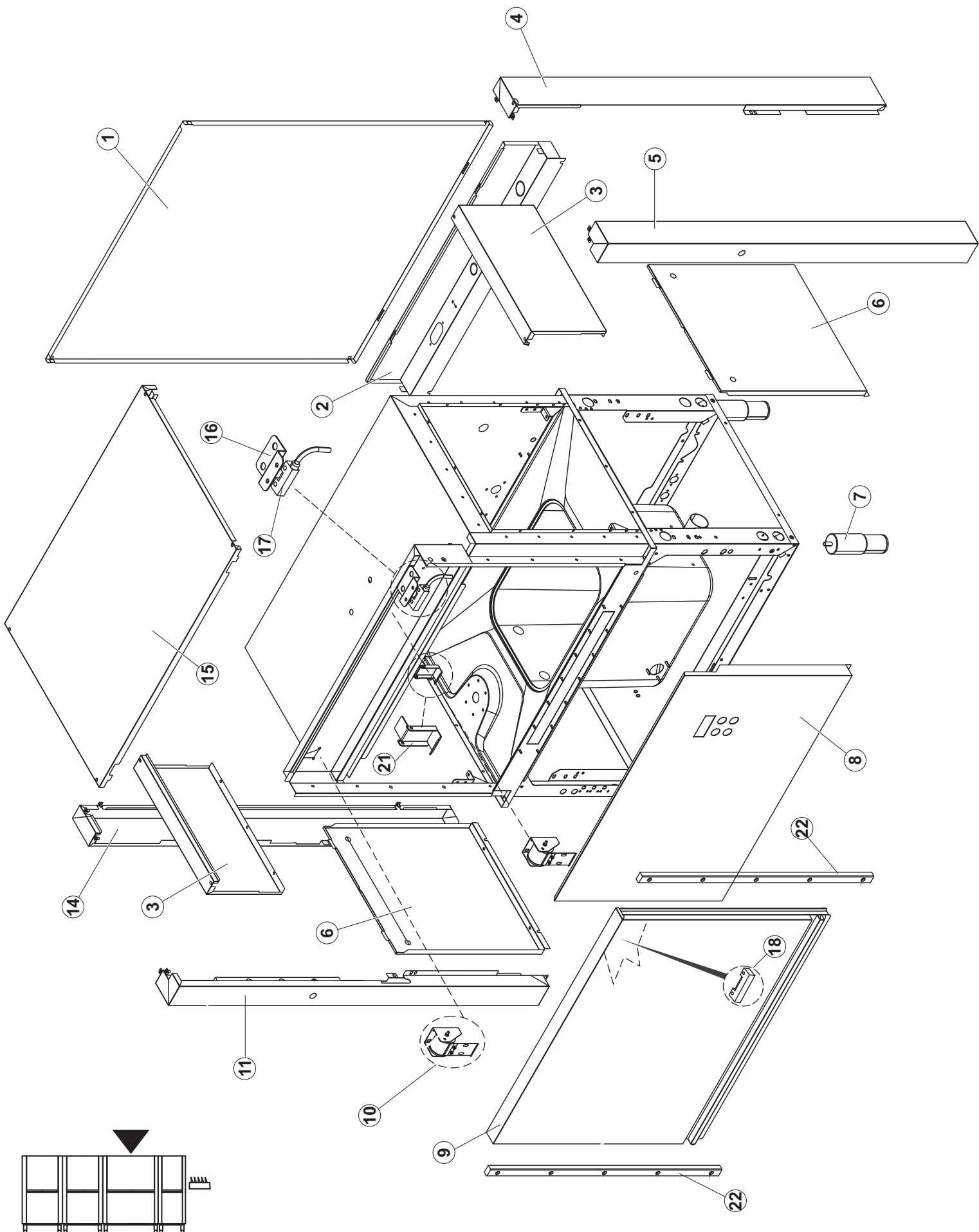
Catalogue pieces detachees
du numero de Série n. 4365999 jusqu'à aujourd'hui (19/03/2021)

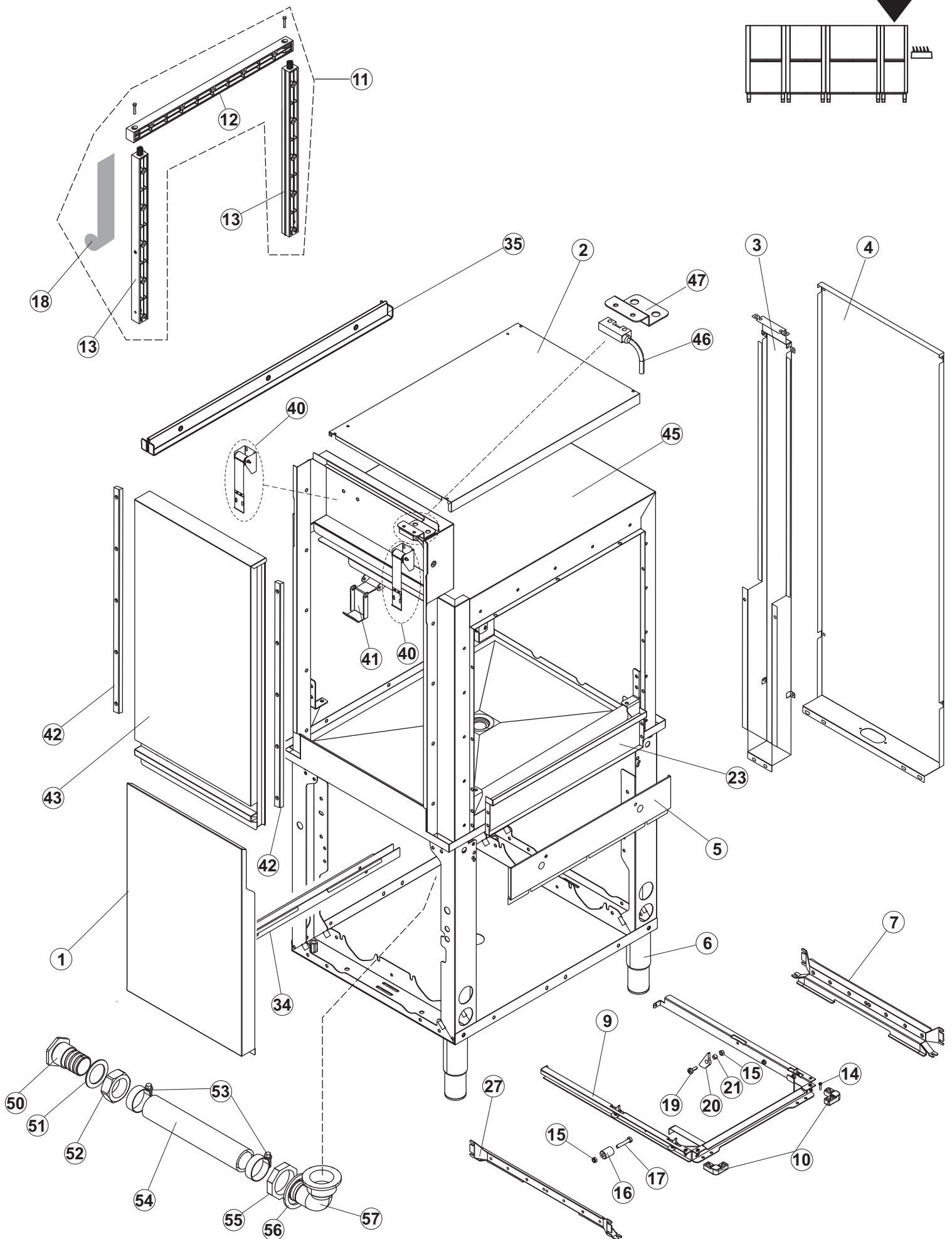
Ersatzteilkatalog
gültig ab Serien-Nr. 4365999 bis heute (19/03/2021)

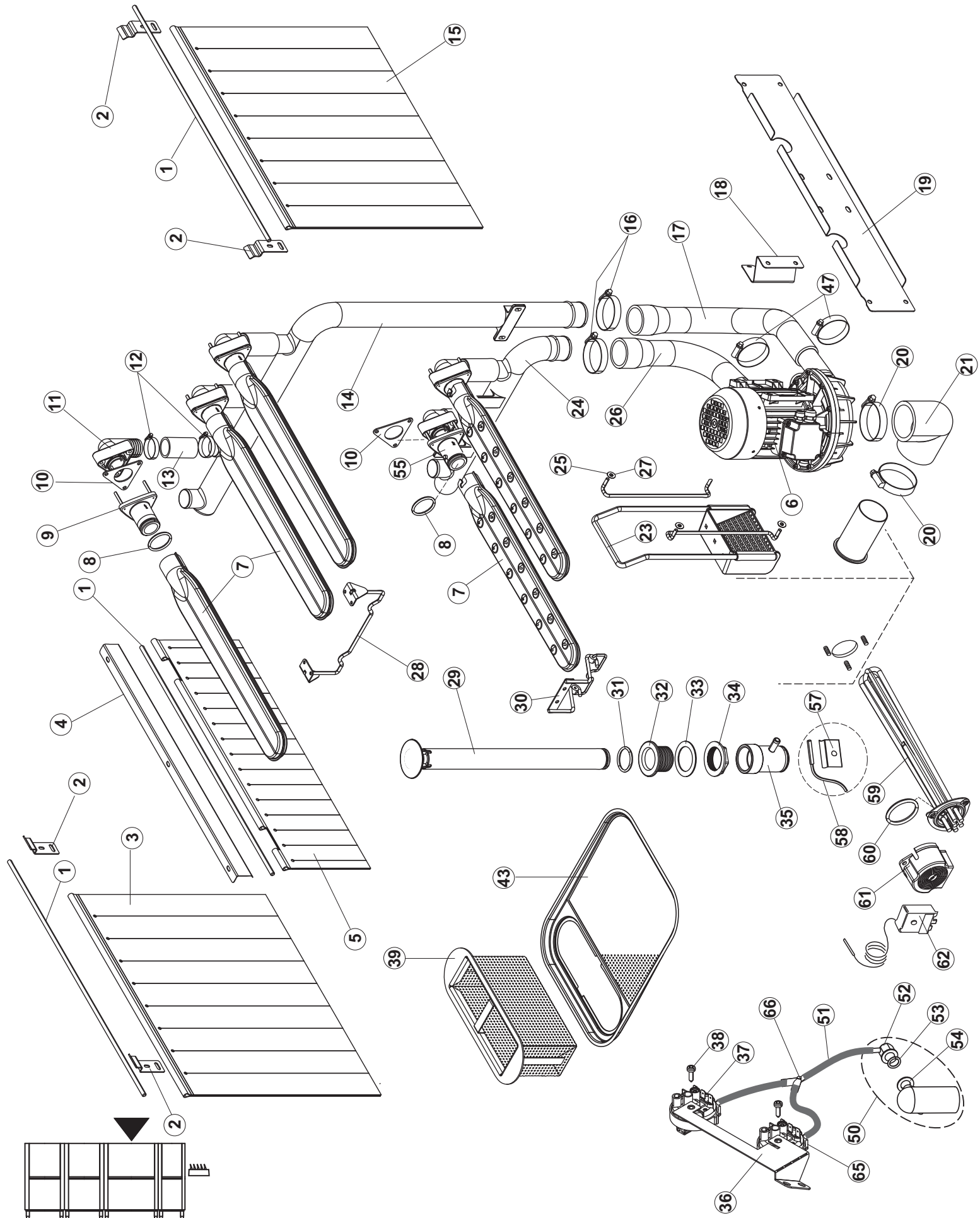
Spare parts catalogue
valid from serial no. 4365999 up today (19/03/2021)

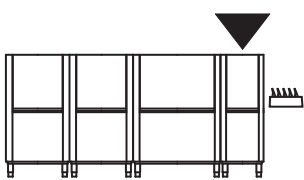
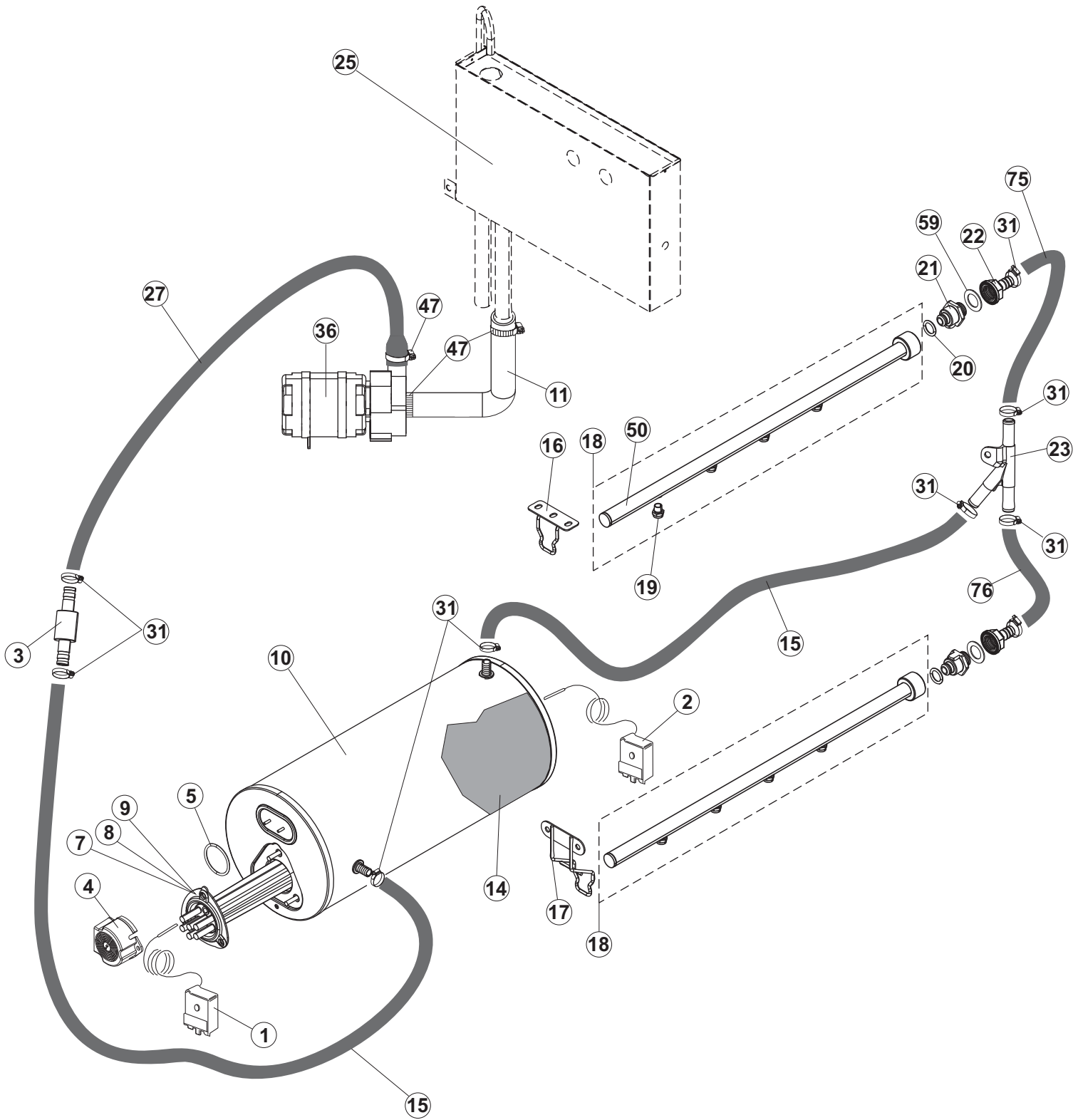
Catálogo de peças de reposição
válido do número de série 4365999 até hoje (19/03/2021)

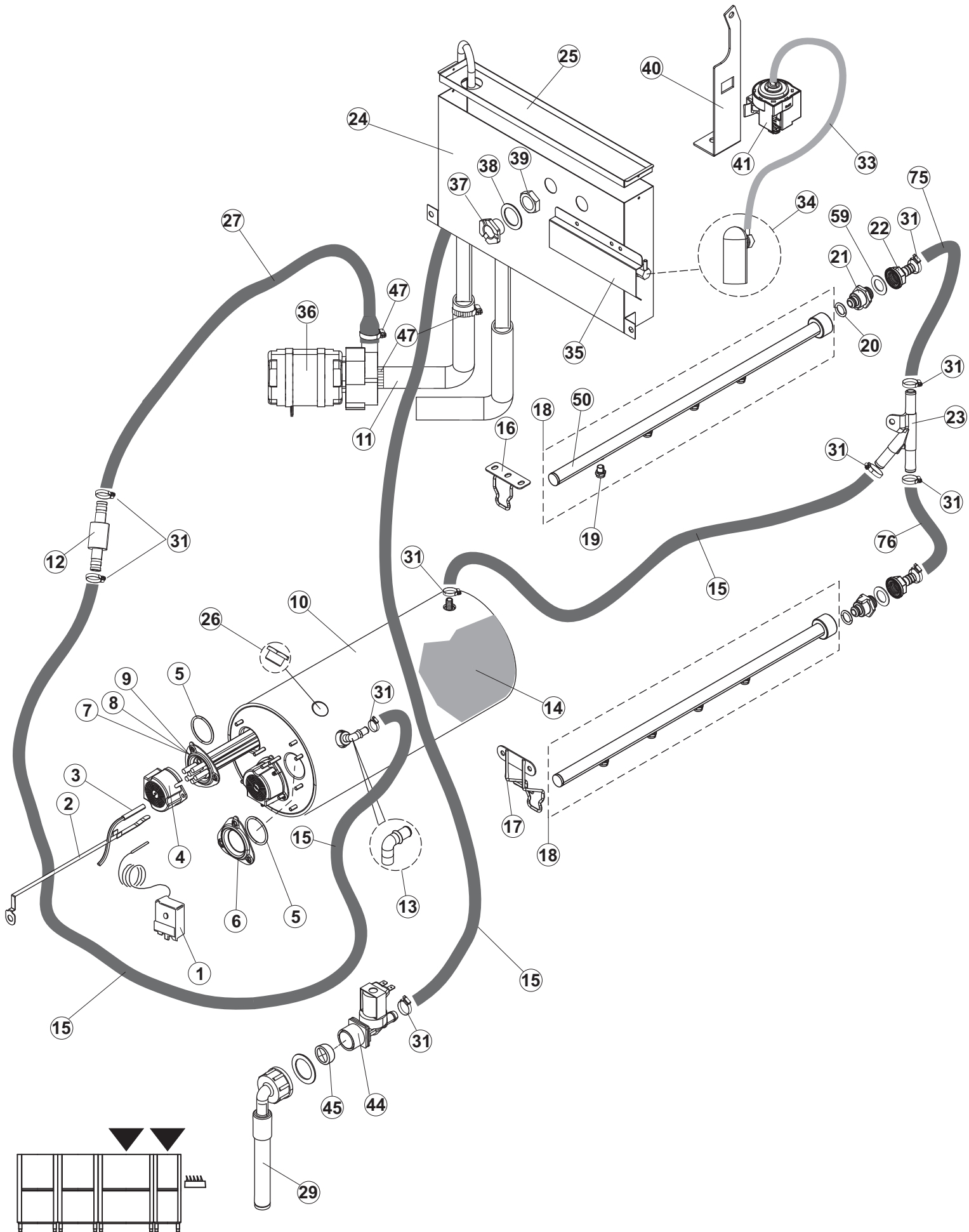
PROTECH 31-20.3



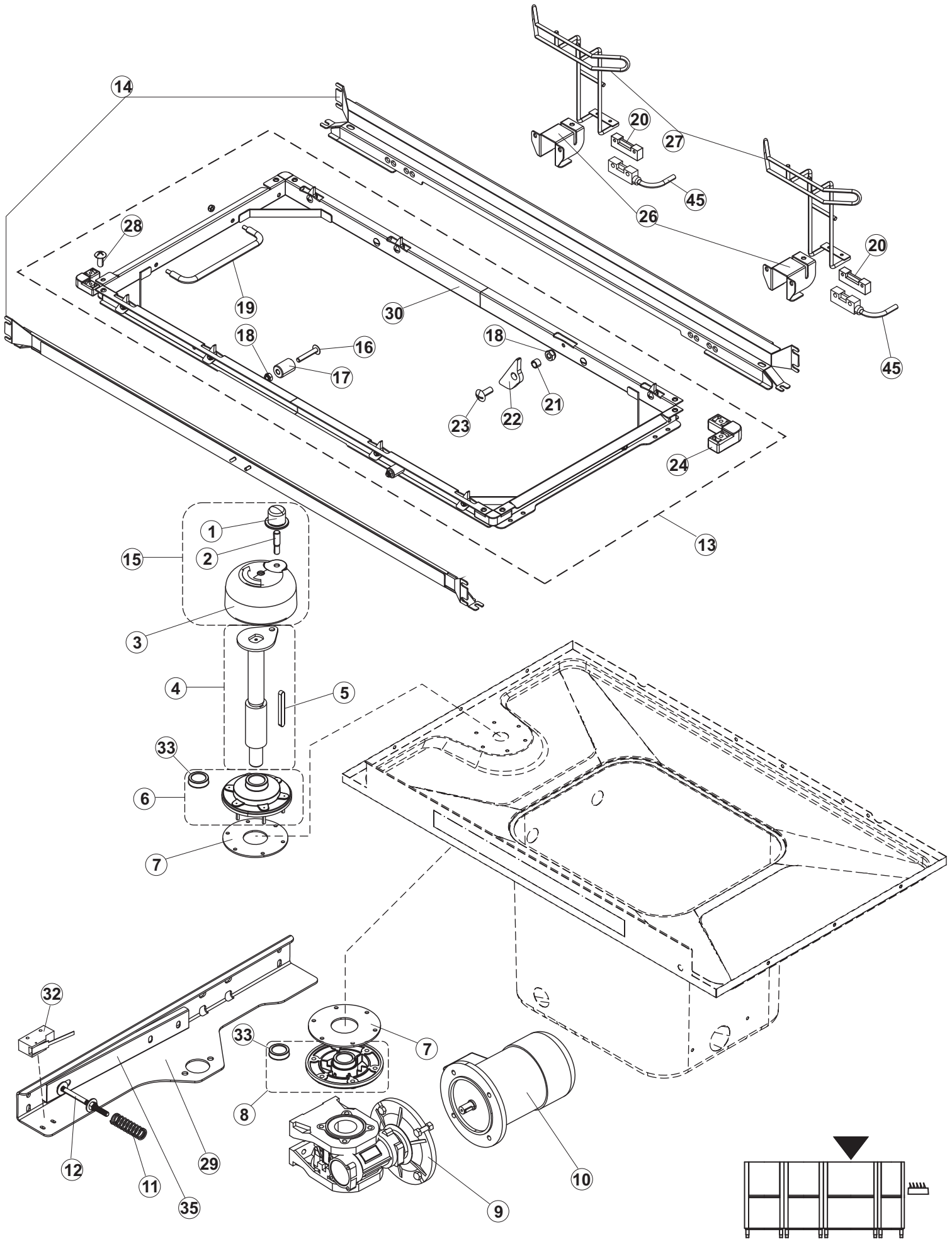


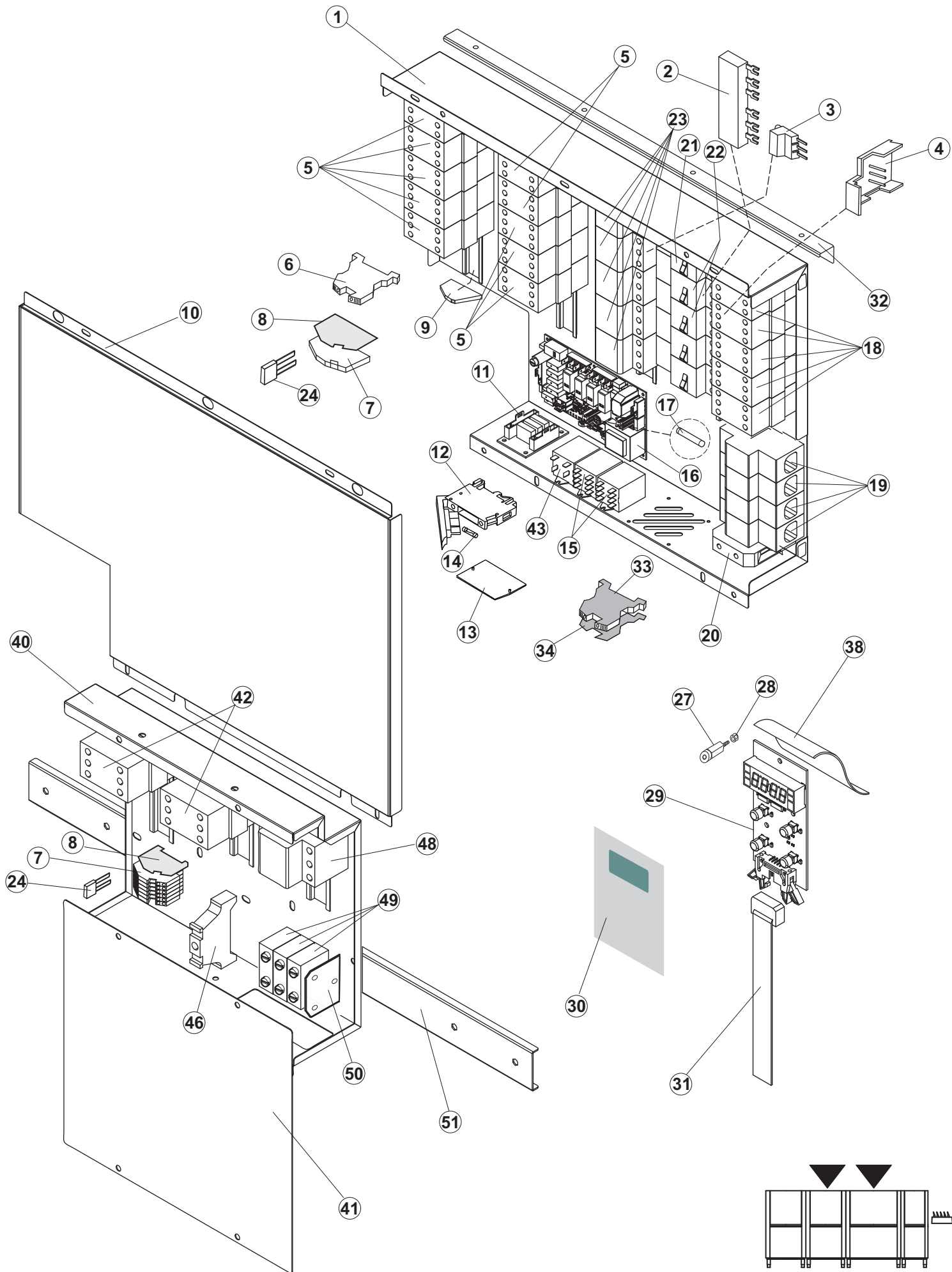


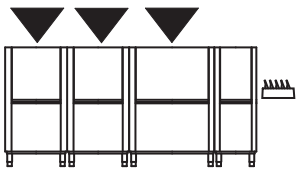
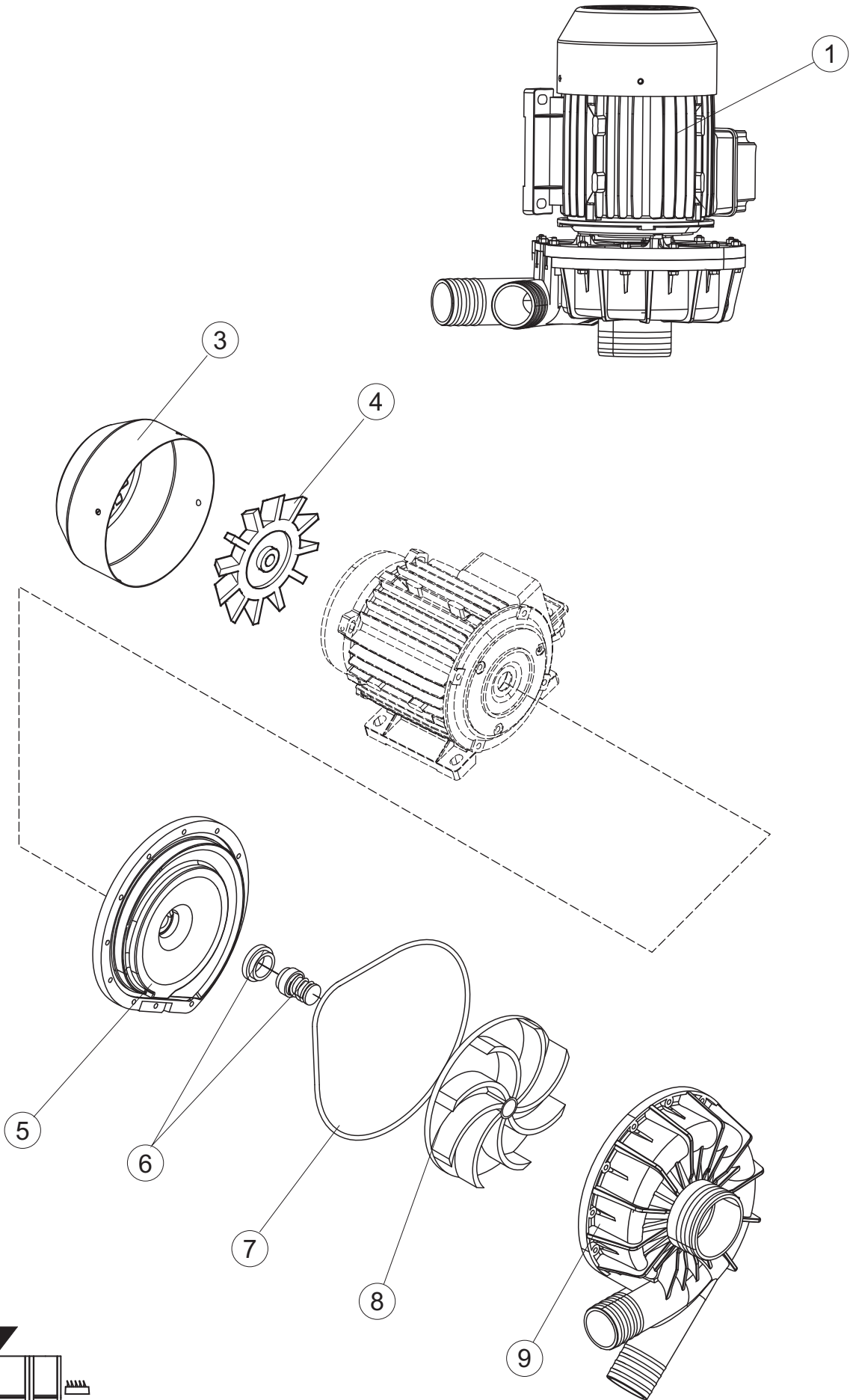


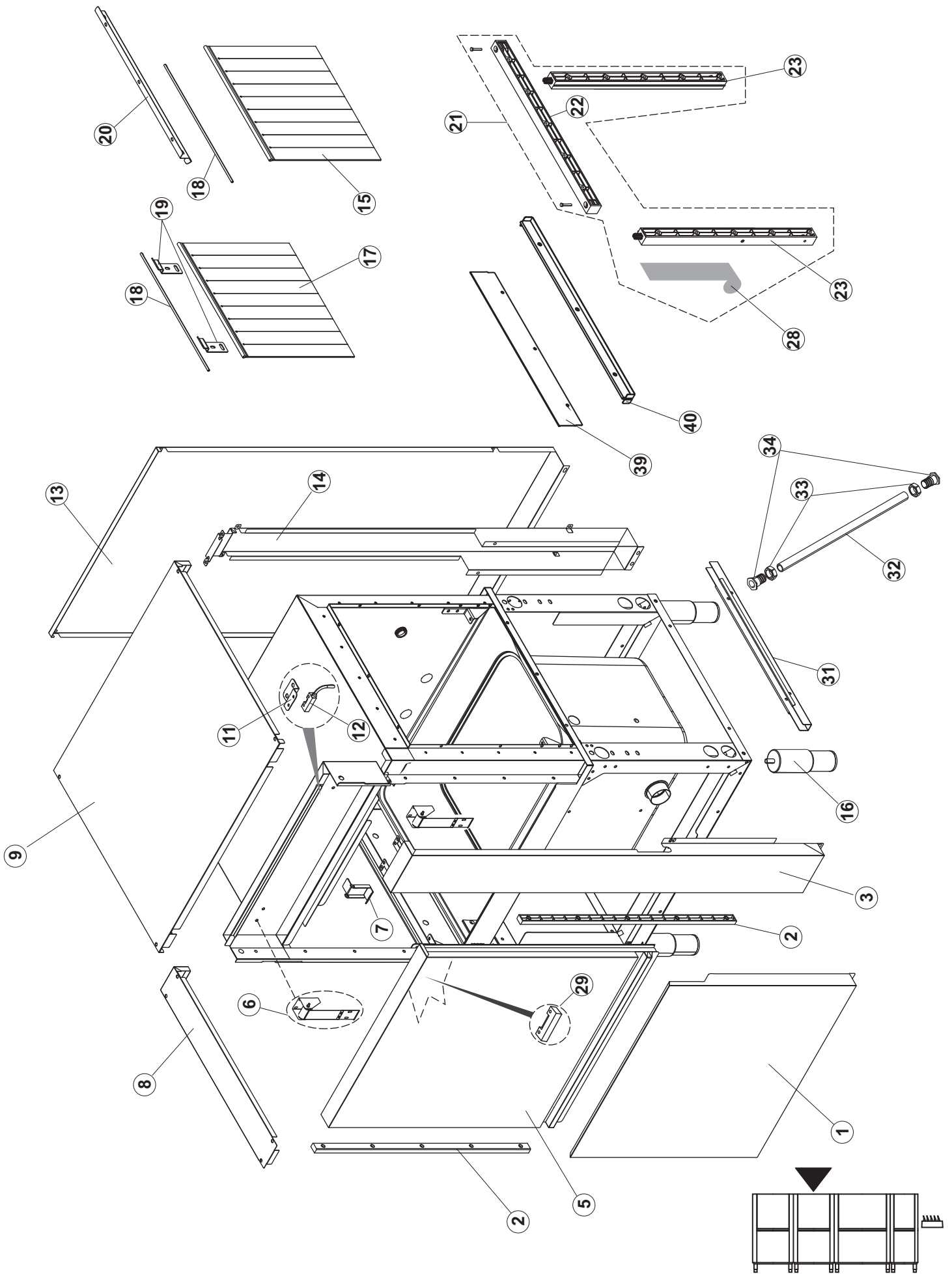


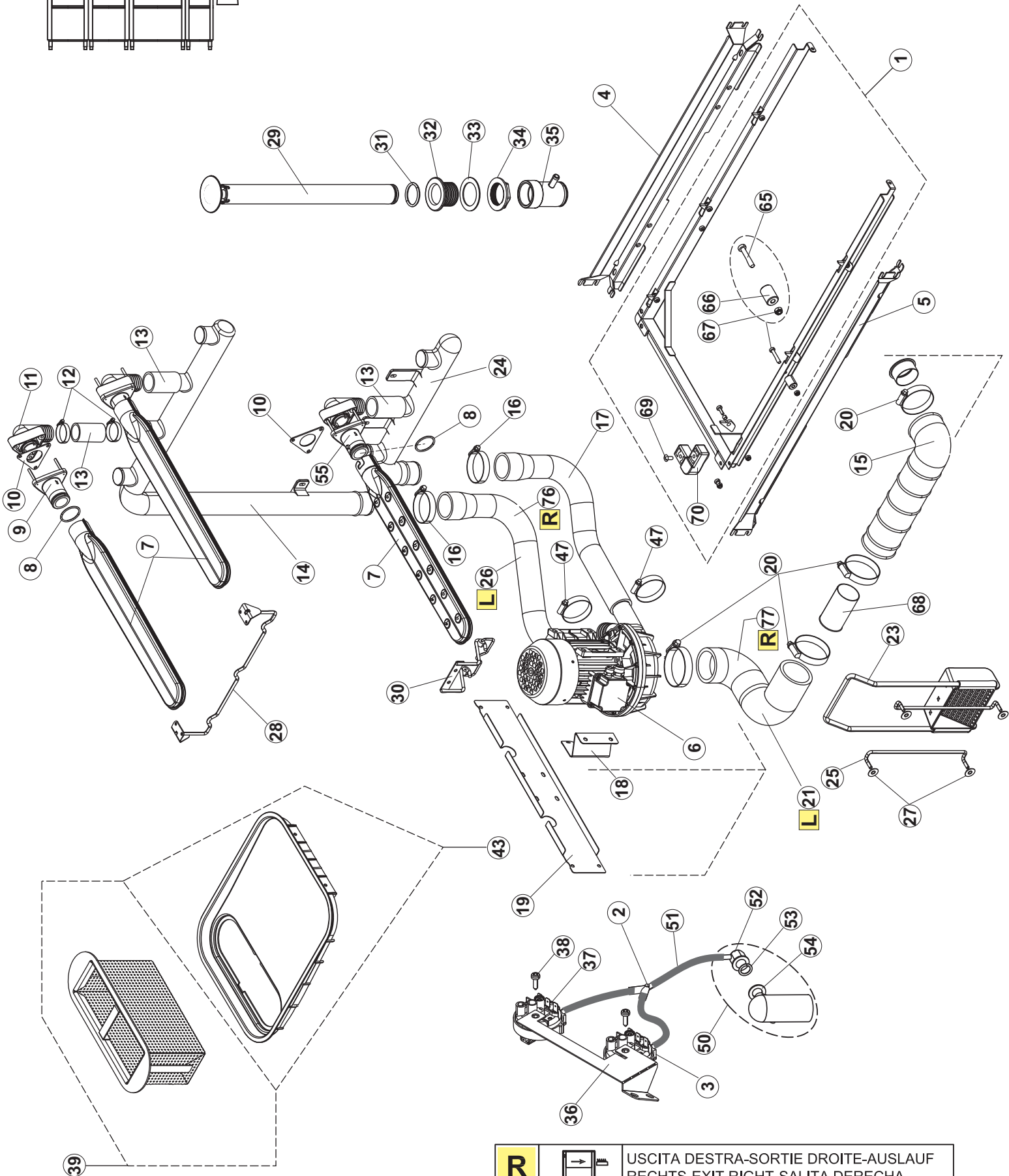
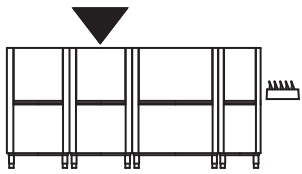
6



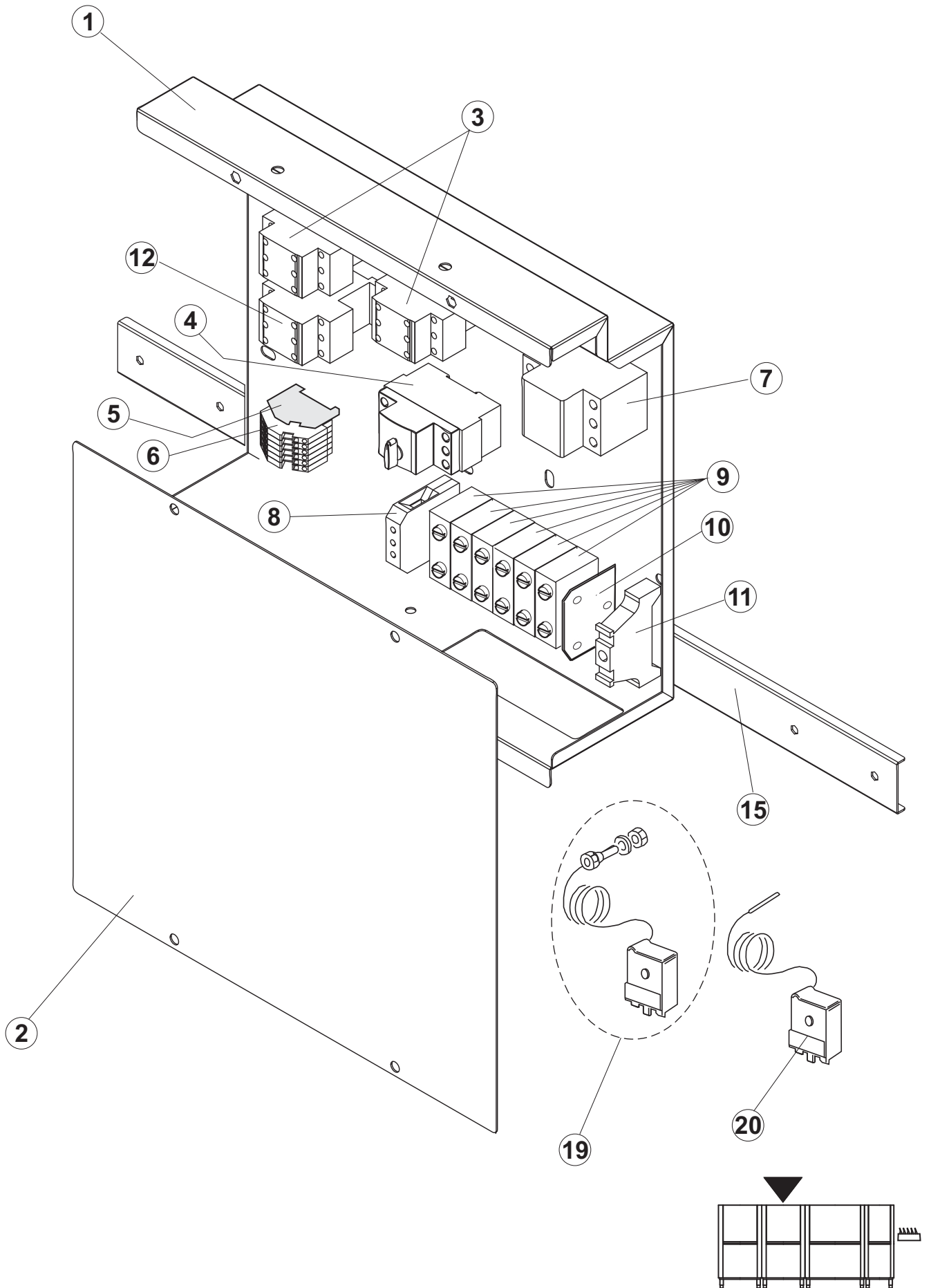


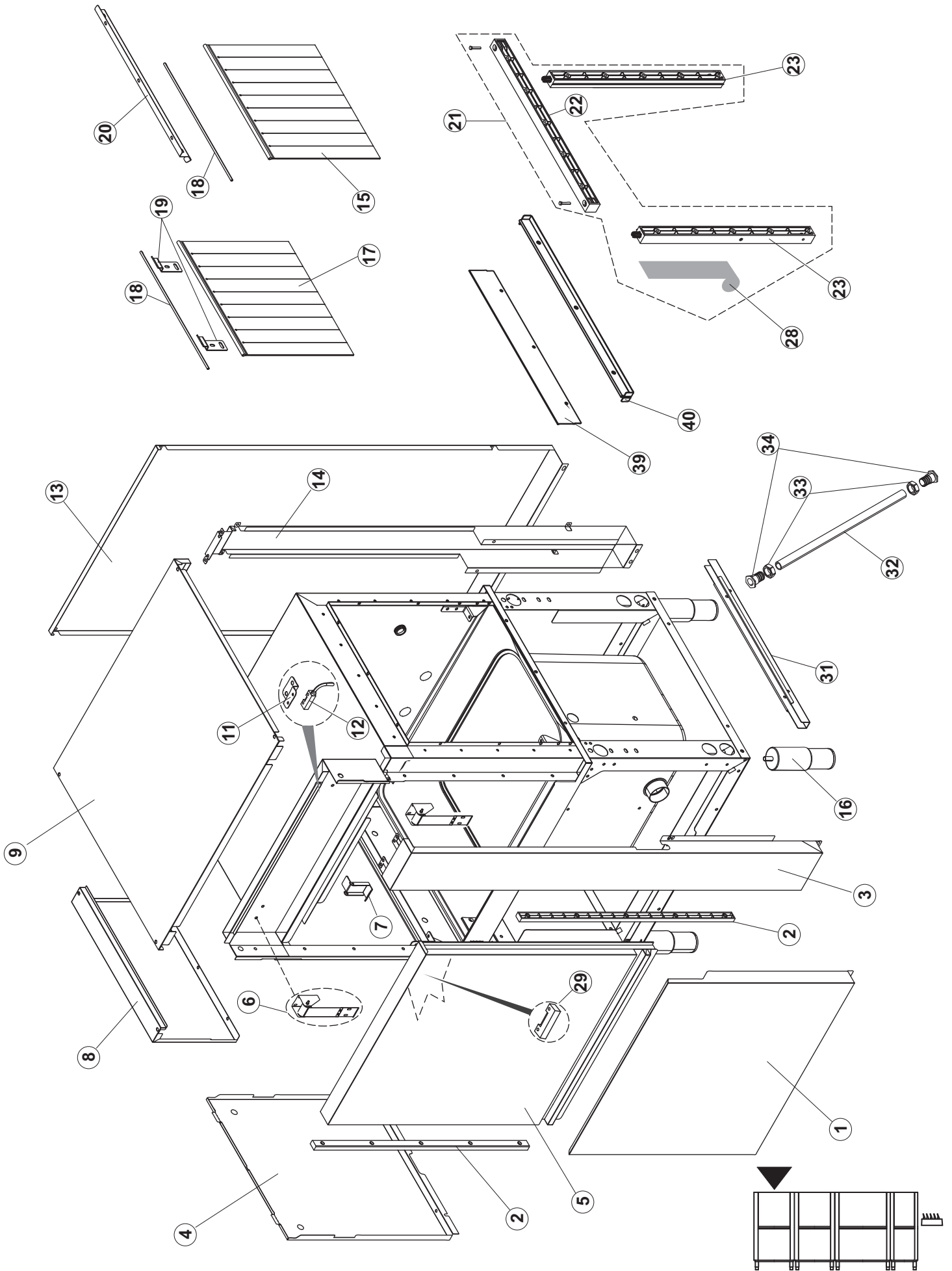


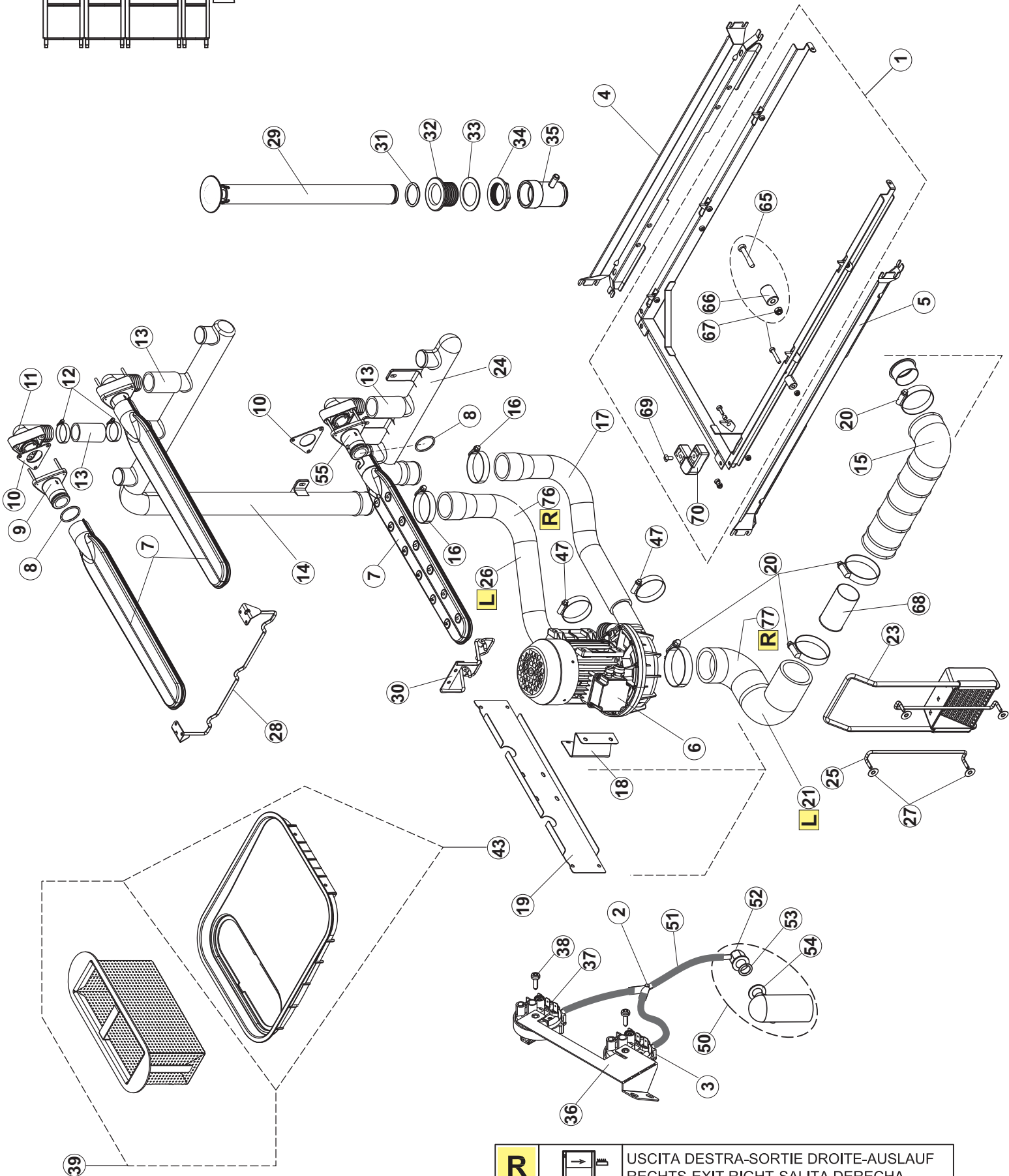
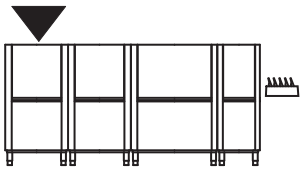




R		USCITA DESTRA-SORTIE DROITE-AUSLAUF RECHTS-EXIT RIGHT-SALIDA DERECHA
L		USCITA SINISTRA-SORTIE GAUCHE-AUSLAUF LINKS-EXIT LEFT-SALIDA IZQUIERDA







R		USCITA DESTRA-SORTIE DROITE-AUSLAUF RECHTS-EXIT RIGHT-SALIDA DERECHA
L		USCITA SINISTRA-SORTIE GAUCHE-AUSLAUF LINKS-EXIT LEFT-SALIDA IZQUIERDA

(*) Recommended spare part.

Page	Spare part position	Spare part code no.	Old code number	Description	U.m.
1	1	65244		PRICE TO BE DEFINED (PART NR. REPLACED BY 65448)	
1	1	65448		TOP BACK PANEL	NR
1	2	65080		BACK PANEL	NR
1	3	65035		FRONT PANEL	NR
1	4	65258		CORNER REAR RIGHT PANEL	NR
1	5	65337		SUPPORTING UPRIGHT	NR
1	6	65054		SIDE PANEL	NR
1	7	73100		FOOT	NR
1	8	65066		FRONT PANEL TIPO C4-2 CPL	NR
1	9	K65282		KIT DOOR WASH UNIT	NR
1	10	65654		DOOR SPRING KIT	NR
1	11	65338		CORNER FRONT RIGHT PANEL	NR
1	14	65259		CORNER REAR LEFT PANEL	NR
1	15	65050		TOP PANEL	NR
1	16	65256		BRACKET	NR
1	17	80871		MAGNETIC DOOR SWITCH	NR
1	18	927088	CWM7	MAGNET FOR HOOD MICROSWITCH	NR
1	21	75064		DOOR SAFETY HOOK FOR RACK-CONVEYOR	NR
1	22	75647		SLIDES CONVEYOR DOOR	NR
2	1	66870		PRICE TO BE DEFINED	
2	2	65451		PRICE TO BE DEFINED	
2	3	65618		PRICE TO BE DEFINED	
2	4	65081		PRICE TO BE DEFINED (PART NR. REPLACED BY 65449)	
2	4	65449		BACK PANEL	NR
2	5	75307		LOWER ESTERNAL FRONT PANEL - FINISHED	NR
2	6	73100		FOOT	NR
2	7	66852		PRICE TO BE DEFINED	
2	9	65370		TOWING RACK	NR
2	10	75075		SLED CART TOWING	NR
2	11	K65049		KIT GROUP FRAME JUNCTION TOWING MODULE	NR
2	12	65047		HORIZONTAL BAR	NR
2	13	65045		VERTICAL L BAR	NR

(*) Recommended spare part.

Page	Spare part position	Spare part code no.	Old code number	Description	U.m.
2	14	486169	REB486169	STAINLESS STEEL SCREW 4MAX10 TBCR-SP	NR
2	15	CDI206AU		NUT - SELF-LOCK	NR
2	16	75076		BUFFER FOR DRIVE STOP	NR
2	17	75310		SCREW	NR
2	18	65997		GASKET	MT
2	19	CVI172		SCREW, INOX SPEC.6MAX16 T.1/2 T. POELIER	NR
2	20	75071		RACK CONVEYOR COG	NR
2	21	75077		BUSH	NR
2	23	65308		INNER LOWER FRONT PANEL - FINISHED PART	NR
2	27	66852		PRICE TO BE DEFINED	
2	34	77527		BOTTOM STEEL BAR	NR
2	35	65055		BRACKET UNION TANKS	NR
2	40	77560		DOOR SPRING KIT	NR
2	41	75064		DOOR SAFETY HOOK FOR RACK-CONVEYOR	NR
2	42	75647		SLIDES CONVEYOR DOOR	NR
2	43	65454		RINSE UNIT DOOR	NR
2	45	65277		PRICE TO BE DEFINED	
2	46	80871		MAGNETIC DOOR SWITCH	NR
2	47	65256		BRACKET	NR
2	50	77525		DRAIN CONNECTION	NR
2	51	77063		GASKET	NR
2	52	77524		NUT	NR
2	53	CFS18		HOSE CLAMP	NR
2	54	K66915		PRICE TO BE DEFINED	
2	55	417081	CDP2	PART NUMBER NO LONGER AVAILABLE	
2	56	437063	CGG42	GASKET	NR
2	57	DZP13		DRAIN CONNECTION	NR
3	1	75124		CURTAIN SUPPORT FOR RACK-CONVEYOR DISH-	NR
3	2	65128		SUPPORT BRACKET	NR
3	3	65210		CURTAIN	NR
3	4	65162		CURTAIN SUPPORTING BRACKET	NR
3	5	66869		CURTAIN	NR

(*) Recommended spare part.

Page	Spare part position	Spare part code no.	Old code number	Description	U.m.
3	6	70100		WASHPUMP	NR
3	7	75616		COMPLETE WASH ARM	NR
3	8	CGR4131NT		O-RING	NR
3	9	75645		CONNECTING ARM	NR
3	10	437050	REB437050	GASKET	NR
3	11	75155		PIPE FITTING	NR
3	12	CFS32		PRICE TO BE DEFINED	
3	13	75154		DELIVERY WASH HOSE	NR
3	14	65177		PIPE	NR
3	15	65210		CURTAIN	NR
3	16	CFS2		CLAMP, TORRO W1/W2B 50-70/12	NR
3	17	65624		PIPE	NR
3	18	65326		SUPPORT BRACKET	NR
3	19	65330		BRACKET	NR
3	20	CFS3		CLAMP, HOSE-TYPE TORRO W2B 60-80/12	NR
3	21	926056	DZG461	PIPE ELBOW	NR
3	23	75661		PUMP ASPIRATION FILTER	NR
3	24	65176		PIPE	NR
3	25	42092	C.42092	ASPIRATION FILTER SLIDE	NR
3	26	65623		PIPE	NR
3	27	472061		PART NUMBER NO LONGER AVAILABLE	
3	28	65293		BRACKET	NR
3	29	75866		OVERFLOW PIPE	NR
3	30	75105		SUPPORT BRACKET	NR
3	31	CGR4131NT		O-RING	NR
3	32	75871		DRAIN CONNECTION	NR
3	33	75873		GASKET	NR
3	34	75872		NUT WASTE DRAIN	NR
3	35	75639		DRAIN FITTING (PLASTIC)	NR
3	36	65469		BRACKET	NR
3	37	224006	REB224006	PRESSURE SWITCH 115/15	NR
3	38	CVZ4		SCREW	NR

(*) Recommended spare part.

Page	Spare part position	Spare part code no.	Old code number	Description	U.m.
3	39	66491		FILTER	NR
3	43	65200		TANK FLAT STAINLESS STEEL FILTER	NR
3	47	CFS1A		HOSE CLAMP	NR
3	50	984005	REB984005	AIR TRAP, ASSY	NR
3	51	143005	SPG10	LINEN RUBBER PIPE 5X12 - BLACK	MT
3	52	468029	REB468029	AIR TRAP CONNECTION OF PRESSURE SWITCH	NR
3	53	456020	REB456020	O-RING	NR
3	54	437019	REB437019	PACKING FOR AIR TRAP OF PRESSURE SWITCH	NR
3	55	75648		CONNECTING ARM	NR
3	57	H.775489-001		SUPPORT TEMPERATURE PROBE	NR
3	58	231016		TEMPERATURE PROBE	NR
3	59	80397C		HEATING ELEMENT 10500W 230/400V	NR
3	60	456002	REB456002	O-RING	NR
3	61	69870		BOILER HEATING ELEMENT PROTECTION	NR
3	62	67870		PRICE TO BE DEFINED	
3	65	926049	DEP45	PRESSURE SWITCH	NR
3	66	70996		PIPE CONNECTION	NR
4	1	67870		PRICE TO BE DEFINED	
4	2	66907		PRICE TO BE DEFINED	
4	3	65608		PRICE TO BE DEFINED (PART NR. REPLACED BY 65609)	
4	3	65609		FLOW REDUCER	NR
4	4	69870		BOILER HEATING ELEMENT PROTECTION	NR
4	5	456002	REB456002	O-RING	NR
4	7	230083C	REB230083C	HEATING ELEMENT 6KW	NR
4	8	80397C		HEATING ELEMENT 10500W 230/400V	NR
4	9	80399C		READY-TO-ASSEMBLE KIT FOR HEATING	NR
4	10	66389		PRICE TO BE DEFINED	
4	11	127010		PRICE TO BE DEFINED (PART NR. REPLACED BY 65069)	
4	11	65069		PIPE	NR
4	14	65245		COVER INSULATION	NR
4	15	143010	SPG61	RUBBER PIPE 12X19,5	MT
4	16	65582		BRACKET	NR

(*) Recommended spare part.

Page	Spare part position	Spare part code no.	Old code number	Description	U.m.
4	17	65588		SUPPORT BRACKET RINSE ARM	NR
4	18	65957		RINSE ARM	NR
4	19	65950		STAINLESS STEEL RINSE SPRAY NOZZLE	NR
4	20	65727		O-RING 2050 12.42X1.78 EPDM 70SH A	NR
4	21	65015		BRACKET	NR
4	22	66945		PIPE FITTING	NR
4	23	143268		JUNCTION "Y"	NR
4	25	66388		PRICE TO BE DEFINED	
4	27	41525		RINSE DELIVERY TUBE(CRP)	NR
4	31	927322	CFS14	HOSE CLAMP	NR
4	36	929167	DPE112	ELECTROPUMP	NR
4	47	CFS32		PRICE TO BE DEFINED	
4	50	65828		RINSE ARM	NR
4	59	65749		GASKET ES/AM VERDE 33X21X1,5	NR
4	75	65747-A		RINSE PIPE L 200 RACC 90	NR
4	76	65747-B		RINSE PIPE L 380 RACC 90	NR
5	1	67870		PRICE TO BE DEFINED	
5	2	69871		PROBE HOLDER	NR
5	3	231016		TEMPERATURE PROBE	NR
5	4	69870		BOILER HEATING ELEMENT PROTECTION	NR
5	5	456002	REB456002	O-RING	NR
5	6	926053	DWT100	CLOSED FLANGE CAP (170880543)	NR
5	7	230034C		PRICE TO BE DEFINED	
5	8	230083C	REB230083C	HEATING ELEMENT 6KW	NR
5	9	230020C	REB230020C	KIT HEATING ELEMENTS REB230020 (8KW)	NR
5	10	65700		BOILER	NR
5	11	127010		PRICE TO BE DEFINED (PART NR. REPLACED BY 65069)	
5	11	65069		PIPE	NR
5	12	65609		FLOW REDUCER	NR
5	13	65018		PIPE FITTING	NR
5	14	65245		COVER INSULATION	NR
5	15	143010	SPG61	RUBBER PIPE 12X19,5	MT

(*) Recommended spare part.

Page	Spare part position	Spare part code no.	Old code number	Description	U.m.
5	16	65582		BRACKET	NR
5	17	65588		SUPPORT BRACKET RINSE ARM	NR
5	18	65849		RINSE ARM	NR
5	19	65952		STAINLESS STEEL RINSE SPRAY NOZZLE	NR
5	20	65727		O-RING 2050 12.42X1.78 EPDM 70SH A	NR
5	21	65883		INTERNAL RINSE PIPE FITTING AISI303	NR
5	22	66945		PIPE FITTING	NR
5	23	143268		JUNCTION "Y"	NR
5	24	66388		PRICE TO BE DEFINED	
5	25	65390		COVER	NR
5	26	65875		CAP CHROME-PLATED BRASS	NR
5	27	41525		RINSE DELIVERY TUBE(CRP)	NR
5	28	437041	REB437041	GASKET	NR
5	29	143277		INLET HOSE	NR
5	31	927322	CFS14	HOSE CLAMP	NR
5	33	143131	SPG47	PIPE	MT
5	34	984005	REB984005	AIR TRAP, ASSY	NR
5	35	41059	C.41059	SPLASH PROTECTION	NR
5	36	929167	DPE112	ELECTROPUMP	NR
5	37	429036	REB429036	RING NUT	NR
5	38	437025	REB437025	PACKING FOR DRAIN UNIT RING NUT (\$6666)	NR
5	39	CDO134CR		NUT - CHROMIUM PLATED	NR
5	40	75621		BRACKET FOR PRESSURE SWITCH	NR
5	41	224031		PRESSURE SWITCH	NR
5	44	240016	DEV3S16	SOLENOID VALVE	NR
5	45	75976		FLOW REDUCER	NR
5	47	CFS32		PRICE TO BE DEFINED	
5	50	65845		RINSE ARM	NR
5	59	65749		GASKET ES/AM VERDE 33X21X1,5	NR
5	75	65747-A		RINSE PIPE L 200 RACC 90	NR
5	76	65747-B		RINSE PIPE L 380 RACC 90	NR
6	1	75058		WASHER	NR

(*) Recommended spare part.

Page	Spare part position	Spare part code no.	Old code number	Description	U.m.
6	2	75234		PIVOT	NR
6	3	75649		SPLASH PROTECTION	NR
6	4	65235		GEAR SHAFT CONVEYOR	NR
6	5	65235C		GEARED MOTOR KEY	NR
6	6	K75141		UPPER FLANGE SHAFT CONVEYOR	NR
6	7	75168		GASKET	NR
6	8	K75057		LOWER BUSH & SEAL	NR
6	9	65365		PRICE TO BE DEFINED	
6	10	927105	DPM1205	MOTOR 180W V 400	NR
6	11	CMT13		SPRING	NR
6	12	60354		SCREW	NR
6	13	75869		RACK CONVEYOR	NR
6	14	K65024		RACK SLIDE RACKCONVEYOR ONLY SPARE PART	NR
6	15	K75649		KIT PROTECTIVE PLATE OF SPLASHING WATER	NR
6	16	75310		SCREW	NR
6	17	75076		BUFFER FOR DRIVE STOP	NR
6	18	CDI206AU		NUT - SELF-LOCK	NR
6	19	75073		RACK CONVEYOR HANDLE	NR
6	20	927088	CWM7	MAGNET FOR HOOD MICROSWITCH	NR
6	21	75077		BUSH	NR
6	22	75071		RACK CONVEYOR COG	NR
6	23	CVI172		SCREW, INOX SPEC.6MAX16 T.1/2 T. POELIER	NR
6	24	75075		SLED CART TOWING	NR
6	25	65022		PRICE TO BE DEFINED	
6	26	75110		BRACKET ECONOMIZER	NR
6	27	75095		OPERATED RINSING LEVER	NR
6	28	486169	REB486169	STAINLESS STEEL SCREW 4MAX10 TBCR-SP	NR
6	29	65217		PRICE TO BE DEFINED	
6	30	75868		TOWING RACK	NR
6	32	927246	DEM11NT	MICROSWITCH	NR
6	33	927095	DWA202	SEAL RING MIM 30X40X7 (MIM 30407)	NR
6	35	75218		SUPPORT BRACKET	NR

(*) Recommended spare part.

Page	Spare part position	Spare part code no.	Old code number	Description	U.m.
6	45	80871		MAGNETIC DOOR SWITCH	NR
7	1	65680		PANEL FOR ELECTRICAL COMPONENTS	NR
7	2	80829		BAR ELECTRICAL CONNECTION	NR
7	3	80826		POWER CONNECTOR	NR
7	4	73830		CONNECTOR	NR
7	5	73351		CONTACTOR	NR
7	6	927115	DEM4L	TERMINAL BLOCK	NR
7	7	74938		TERMINAL	NR
7	8	74939		TERMINAL	NR
7	9	75817		ELECTRICAL CONNECTOR FOR U-SHAPED BAR	NR
7	10	65683		COVER	NR
7	11	74903		MAIN BOARD	NR
7	12	74935		FUSE-HOLDER	NR
7	13	H.228048		PRICE TO BE DEFINED	
7	14	228014		PRICE TO BE DEFINED (PART NR. REPLACED BY 228010)	
7	14	228010		FUSE	NR
7	15	929115	DER1108	RELAY 16A 230V	NR
7	16	215042-10		MAIN BOARD 215042+FIRMWARE36 (FW_0_XXL.Q014)	NR
7	17	228010		FUSE	NR
7	18	73350		CONTACTOR	NR
7	19	77838		ELECTRICAL CONNECTOR FOR U-SHAPED BAR	NR
7	20	65905		EARTH TERMINAL	NR
7	21	DEI38N		AUTOMATIC SWITCH	NR
7	22	DEI36N		AUTOMATIC SWITCH	NR
7	23	927038	DEP2F	FUSE-HOLDER - TRIPOLAR GK1-DF	NR
7	24	74940		PRICE TO BE DEFINED	
7	27	419036		INTERFACE BOARD DISTANCE KEEPERS	NR
7	28	417119		NUT	NR
7	29	74901		CONTROL KEYBOARD	NR
7	30	66819		PRICE TO BE DEFINED	
7	31	74944		FLAT CABLE	NR
7	32	65491		BRACKET	NR

(*) Recommended spare part.

Page	Spare part position	Spare part code no.	Old code number	Description	U.m.
7	33	74936		TERMINAL	NR
7	34	65981		PLUG	NR
7	38	214088		PVC CURTAIN FOR ELECTRIC PROTECTION	NR
7	40	66862		PRICE TO BE DEFINED	
7	41	66864		PRICE TO BE DEFINED	
7	42	73351		CONTACTOR	NR
7	43	DER111		PRICE TO BE DEFINED (PART NR. REPLACED BY 229029)	
7	43	229029	REB229029	RELAY	NR
7	46	75817		ELECTRICAL CONNECTOR FOR U-SHAPED BAR	NR
7	48	927038	DEP2F	FUSE-HOLDER - TRIPOLAR GK1-DF	NR
7	49	74937		PRICE TO BE DEFINED	
7	50	75981		PRICE TO BE DEFINED	
7	51	66863		PRICE TO BE DEFINED	
8	1	70100		WASHPUMP	NR
8	3	70940		ELECTROPUMP FAN COVER	NR
8	4	70939		WASHPUMP FUN	NR
8	5	70941		PART NUMBER NO LONGER AVAILABLE	
8	6	70942		WASHPUMP SHAFT SEAL	NR
8	7	70943		O-RING	NR
8	8	70944		ELECTROPUMP IMPELLER	NR
8	9	70945		ELECTROPUMP HOUSING	NR
9	1	65743		FRONT PANEL	NR
9	2	75647		SLIDES CONVEYOR DOOR	NR
9	3	65617		PRICE TO BE DEFINED	
9	5	65534		CONVEYOR DOOR	NR
9	6	77560		DOOR SPRING KIT	NR
9	7	75064		DOOR SAFETY HOOK FOR RACK-CONVEYOR	NR
9	8	65546		TOP PANEL	NR
9	9	65742		TOP PANEL	NR
9	11	65256		BRACKET	NR
9	12	80871		MAGNETIC DOOR SWITCH	NR
9	13	65540		PRICE TO BE DEFINED (PART NR. REPLACED BY 65447)	

(*) Recommended spare part.

Page	Spare part position	Spare part code no.	Old code number	Description	U.m.
9	13	65447		BACK PANEL S	NR
9	14	65619		SUPPORTING UPRIGHT	NR
9	15	65216		MEDIUM CURTAIN 3 CUTS	NR
9	16	73100		FOOT	NR
9	17	65210		CURTAIN	NR
9	18	75124		CURTAIN SUPPORT FOR RACK-CONVEYOR DISH-	NR
9	19	65128		SUPPORT BRACKET	NR
9	20	65640		CURTAIN SUPPORTING BRACKET	NR
9	21	K65049		KIT GROUP FRAME JUNCTION TOWING MODULE	NR
9	22	65047		HORIZONTAL BAR	NR
9	23	65045		VERTICAL L BAR	NR
9	28	65997		GASKET	MT
9	29	927088	CWM7	MAGNET FOR HOOD MICROSWITCH	NR
9	31	77527		BOTTOM STEEL BAR	NR
9	32	K66915		PRICE TO BE DEFINED	
9	33	77524		NUT	NR
9	34	77525		DRAIN CONNECTION	NR
9	39	65645		SEPARATOR UNIT WASHING - PREWASHING	NR
9	40	65055		BRACKET UNION TANKS	NR
10	1	77830		RACK CONVEYOR	NR
10	2	70996		PIPE CONNECTION	NR
10	3	224006	REB224006	PRESSURE SWITCH 115/15	NR
10	4	K65531		PRICE TO BE DEFINED	
10	5	K65531		PRICE TO BE DEFINED	
10	6	70100		WASHPUMP	NR
10	7	75616		COMPLETE WASH ARM	NR
10	8	CGR4131NT		O-RING	NR
10	9	75645		CONNECTING ARM	NR
10	10	437050	REB437050	GASKET	NR
10	11	75155		PIPE FITTING	NR
10	12	CFS32		PRICE TO BE DEFINED	
10	13	75154		DELIVERY WASH HOSE	NR

(*) Recommended spare part.

Page	Spare part position	Spare part code no.	Old code number	Description	U.m.
10	14	65177		PIPE	NR
10	15	80186	C.80186	SUCTION PIPE	NR
10	16	CFS2		CLAMP, TORRO W1/W2B 50-70/12	NR
10	17	65623		PIPE	NR
10	18	65326		SUPPORT BRACKET	NR
10	19	65330		BRACKET	NR
10	20	CFS3		CLAMP, HOSE-TYPE TORRO W2B 60-80/12	NR
10	21	65189		PUMP INLET HOSE	NR
10	23	75661		PUMP ASPIRATION FILTER	NR
10	24	K65176		PIPE + PARZ.77018	NR
10	25	42092	C.42092	ASPIRATION FILTER SLIDE	NR
10	26	65624		PIPE	NR
10	27	472061		PART NUMBER NO LONGER AVAILABLE	
10	28	65293		BRACKET	NR
10	29	75866		OVERFLOW PIPE	NR
10	30	75105		SUPPORT BRACKET	NR
10	31	CGR4131NT		O-RING	NR
10	32	75871		DRAIN CONNECTION	NR
10	33	75873		GASKET	NR
10	34	75872		NUT WASTE DRAIN	NR
10	35	75639		DRAIN FITTING (PLASTIC)	NR
10	36	65469		BRACKET	NR
10	37	926049	DEP45	PRESSURE SWITCH	NR
10	38	CVZ4		SCREW	NR
10	39	66491		FILTER	NR
10	43	65200		TANK FLAT STAINLESS STEEL FILTER	NR
10	47	CFS1A		HOSE CLAMP	NR
10	50	984005	REB984005	AIR TRAP, ASSY	NR
10	51	143005	SPG10	LINEN RUBBER PIPE 5X12 - BLACK	MT
10	52	468029	REB468029	AIR TRAP CONNECTION OF PRESSURE SWITCH	NR
10	53	456020	REB456020	O-RING	NR
10	54	437019	REB437019	PACKING FOR AIR TRAP OF PRESSURE SWITCH	NR

(*) Recommended spare part.

Page	Spare part position	Spare part code no.	Old code number	Description	U.m.
10	55	75648		CONNECTING ARM	NR
10	65	75310		SCREW	NR
10	66	75076		BUFFER FOR DRIVE STOP	NR
10	67	CDI206AU		NUT - SELF-LOCK	NR
10	68	929165T		PIPE INOX D60 L92	NR
10	69	486169	REB486169	STAINLESS STEEL SCREW 4MAX10 TBCR-SP	NR
10	70	75075		SLED CART TOWING	NR
10	76	65622		PIPE	NR
10	77	65269		PUMP INLET HOSE	NR
11	1	66862		PRICE TO BE DEFINED	
11	2	66864		PRICE TO BE DEFINED	
11	3	73351		CONTACTOR	NR
11	4	DEI40N		AUTOMATIC SWITCH	NR
11	5	74939		TERMINAL	NR
11	6	74938		TERMINAL	NR
11	7	927038	DEP2F	FUSE-HOLDER - TRIPOLAR GK1-DF	NR
11	8	927114	DEM27	TERMINAL BLOCK	NR
11	9	74937		PRICE TO BE DEFINED	
11	10	75981		PRICE TO BE DEFINED	
11	11	75817		ELECTRICAL CONNECTOR FOR U-SHAPED BAR	NR
11	12	73350		CONTACTOR	NR
11	15	66872		PRICE TO BE DEFINED	
11	19	926259	DRT141C	TANK THERMOSTAT KIT DRT141	NR
11	20	67870		PRICE TO BE DEFINED	
12	1	65743		FRONT PANEL	NR
12	2	75647		SLIDES CONVEYOR DOOR	NR
12	3	65617		PRICE TO BE DEFINED	
12	4	65054		SIDE PANEL	NR
12	5	65534		CONVEYOR DOOR	NR
12	6	77560		DOOR SPRING KIT	NR
12	7	75064		DOOR SAFETY HOOK FOR RACK-CONVEYOR	NR
12	8	65035		FRONT PANEL	NR

(*) Recommended spare part.

Page	Spare part position	Spare part code no.	Old code number	Description	U.m.
12	9	65742		TOP PANEL	NR
12	11	65256		BRACKET	NR
12	12	80871		MAGNETIC DOOR SWITCH	NR
12	13	65540		PRICE TO BE DEFINED (PART NR. REPLACED BY 65447)	
12	13	65447		BACK PANEL S	NR
12	14	65619		SUPPORTING UPRIGHT	NR
12	15	65216		MEDIUM CURTAIN 3 CUTS	NR
12	16	73100		FOOT	NR
12	17	65210		CURTAIN	NR
12	18	75124		CURTAIN SUPPORT FOR RACK-CONVEYOR DISH-	NR
12	19	65128		SUPPORT BRACKET	NR
12	20	65640		CURTAIN SUPPORTING BRACKET	NR
12	21	K65049		KIT GROUP FRAME JUNCTION TOWING MODULE	NR
12	22	65047		HORIZONTAL BAR	NR
12	23	65045		VERTICAL L BAR	NR
12	28	65997		GASKET	MT
12	29	927088	CWM7	MAGNET FOR HOOD MICROSWITCH	NR
12	31	77527		BOTTOM STEEL BAR	NR
12	32	K66915		PRICE TO BE DEFINED	
12	33	77524		NUT	NR
12	34	77525		DRAIN CONNECTION	NR
12	39	65645		SEPARATOR UNIT WASHING - PREWASHING	NR
12	40	65055		BRACKET UNION TANKS	NR
13	1	77830		RACK CONVEYOR	NR
13	2	70996		PIPE CONNECTION	NR
13	3	224006	REB224006	PRESSURE SWITCH 115/15	NR
13	4	K65531		PRICE TO BE DEFINED	
13	5	K65531		PRICE TO BE DEFINED	
13	6	70100		WASHPUMP	NR
13	7	75616		COMPLETE WASH ARM	NR
13	8	CGR4131NT		O-RING	NR
13	9	75645		CONNECTING ARM	NR

(*) Recommended spare part.

Page	Spare part position	Spare part code no.	Old code number	Description	U.m.
13	10	437050	REB437050	GASKET	NR
13	11	75155		PIPE FITTING	NR
13	12	CFS32		PRICE TO BE DEFINED	
13	13	75154		DELIVERY WASH HOSE	NR
13	14	65177		PIPE	NR
13	15	80186	C.80186	SUCTION PIPE	NR
13	16	CFS2		CLAMP, TORRO W1/W2B 50-70/12	NR
13	17	65623		PIPE	NR
13	18	65326		SUPPORT BRACKET	NR
13	19	65330		BRACKET	NR
13	20	CFS3		CLAMP, HOSE-TYPE TORRO W2B 60-80/12	NR
13	21	65189		PUMP INLET HOSE	NR
13	23	75661		PUMP ASPIRATION FILTER	NR
13	24	K65176		PIPE + PARZ.77018	NR
13	25	42092	C.42092	ASPIRATION FILTER SLIDE	NR
13	26	65624		PIPE	NR
13	27	472061		PART NUMBER NO LONGER AVAILABLE	
13	28	65293		BRACKET	NR
13	29	77846		OVERFLOW PIPE	NR
13	30	75105		SUPPORT BRACKET	NR
13	31	CGR4131NT		O-RING	NR
13	32	75871		DRAIN CONNECTION	NR
13	33	75873		GASKET	NR
13	34	75872		NUT WASTE DRAIN	NR
13	35	75639		DRAIN FITTING (PLASTIC)	NR
13	36	65469		BRACKET	NR
13	37	926049	DEP45	PRESSURE SWITCH	NR
13	38	CVZ4		SCREW	NR
13	39	66491		FILTER	NR
13	43	65200		TANK FLAT STAINLESS STEEL FILTER	NR
13	47	CFS1A		HOSE CLAMP	NR
13	50	984005	REB984005	AIR TRAP, ASSY	NR

(*) Recommended spare part.

Page	Spare part position	Spare part code no.	Old code number	Description	U.m.
13	51	143005	SPG10	LINEN RUBBER PIPE 5X12 - BLACK	MT
13	52	468029	REB468029	AIR TRAP CONNECTION OF PRESSURE SWITCH	NR
13	53	456020	REB456020	O-RING	NR
13	54	437019	REB437019	PACKING FOR AIR TRAP OF PRESSURE SWITCH	NR
13	55	75648		CONNECTING ARM	NR
13	65	75310		SCREW	NR
13	66	75076		BUFFER FOR DRIVE STOP	NR
13	67	CDI206AU		NUT - SELF-LOCK	NR
13	68	929165T		PIPE INOX D60 L92	NR
13	69	486169	REB486169	STAINLESS STEEL SCREW 4MAX10 TBCR-SP	NR
13	70	75075		SLED CART TOWING	NR
13	76	65622		PIPE	NR
13	77	65269		PUMP INLET HOSE	NR