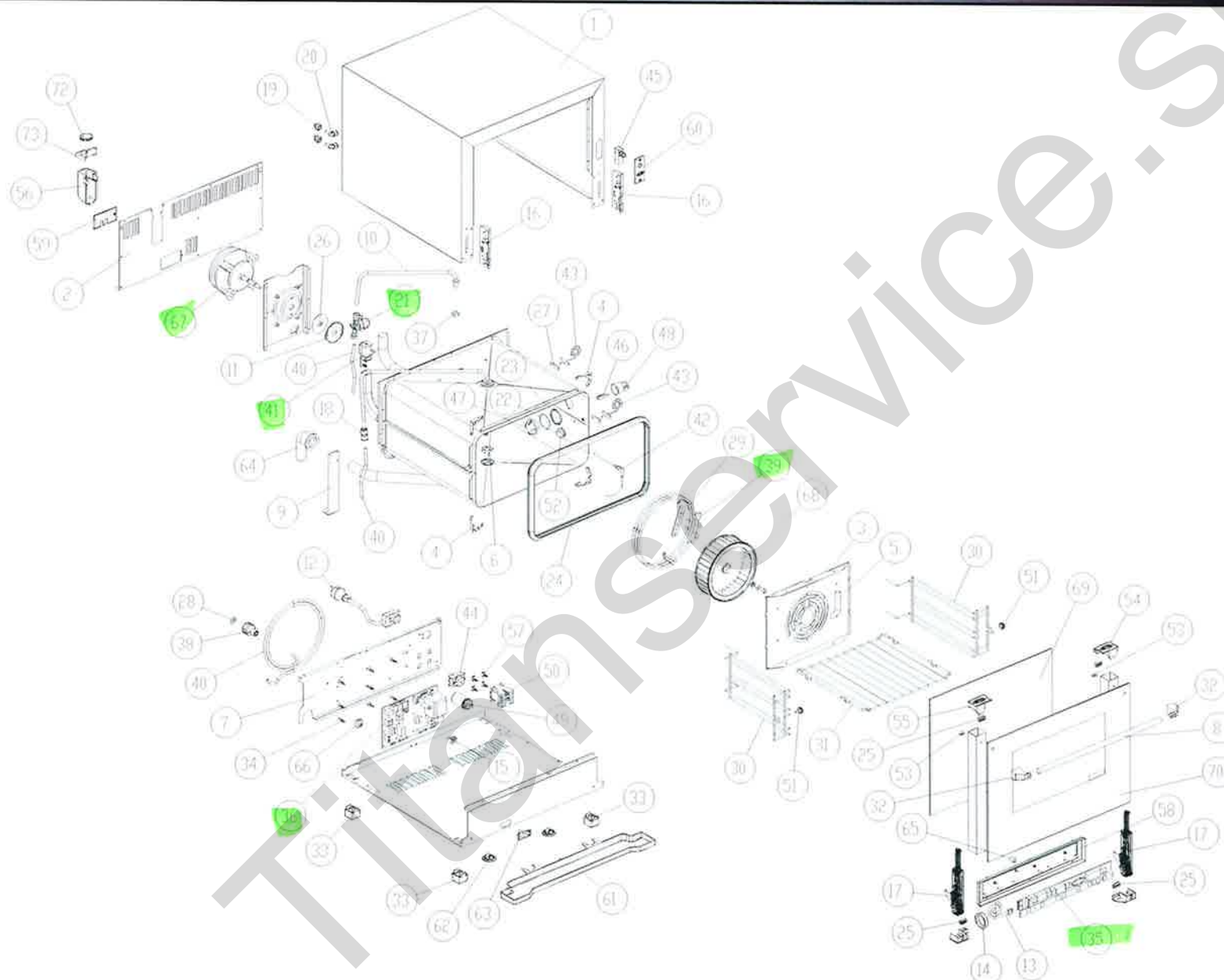


# MOD: XVC054

## EXPLODED VIEW DISEGNO ESPLOSO



### LEGEND - LEGENDA

1	OD1430A0	56	VM1065A0
2	OF1145A0	57	VM1075A1
3	OG1155A0	58	VM1150A0
4	OH1450A0	59	VM1196A0
5	OH2305A0	60	VM1200A0
6	OH2550A0	61	VM1215A0
7	OH2600A0	62	VM1220A0
8	OH2615A0	63	VM1225A0
9	OH2850A0	64	VM1260A0
10	OH3015A0	65	VM1305A0
11	OH3020A0	66	VM250
12	CE116	67	VNI000B1
13	CE1280A0	68	VNI025A2
14	CE1285A0	69	VT1115A0
15	CE1290A0	70	VT1116A0
16	CR1000A0	72	GN1045A0
17	CR1045A0	73	QH3041A0
18	EL1055A0		
19	EL1185A0		
20	EL1195A0		
21	EL1251A0		
22	GN1055A0		
23	GN1065A1		
24	GN1110A2		
25	GN1130A0		
26	GN1140A0		
27	GN1190A0		
28	GN1200A0		
29	GN224		
30	GRL1075A0		
31	GRP755		
32	MG1015A0		
33	PD1001A0		
34	PE1345A1		
35	PE1355D0		
36	PE1365C0		
37	RC1170A1		
38	RC1210A0		
39	RS1090A1		
40	TB008		
41	VE1135A0		
42	TR1040A0		
43	TR1045A0		
44	TR254		
45	VE086B		
46	VE1005A1		
47	VE1010A0		
48	VE1015A1		
49	VE221		
50	VE1115A0		
51	VI1035A1		
52	VI1515A1		
53	VM1025A0		
54	VM1045B0		
55	VM1046B0		

# MOD: XVC054

## EXPLODED VIEW DISEGNO ESPLOSO



### DESCRIZIONE CODICI

1	OD1430A0	MANTELLO INOX XVC054
2	OF1145A0	SCHIENA INOX XVC054
3	OG1155A0	CARTER ARIA INOX XVC054
4	OH1450A0	ANGOLO FACCIATA MUFFOLA INOX XB-XV-XG L.M.
5	OH2305A0	TUBO INTERNO UMIDITA D=16 Sp=1 INOX L.M.-C.T
6	OH2550A0	TAPPO PER TUBO DI SCARICO INOX C.T.
7	OH2600A0	PROFILO PORTA COMPONENTI INOX XVC054
8	OH2615A0	TUBO MANIGLIA D-EST=18 SP=1 L=492 INOX XVC054
9	OH2850A0	STAFFA SOSTEGNO MUFFOLA ZINCATA XVC054/104
10	OH3015A0	TUBO ESTERNO UMIDITA+RACCORDO SALDATO
11	OH3020A0	DISCO TENUTA ALBERO MOTORE INOX
12	CE116	CAVO 3x1,5 H07RN-F MIT1,5+K1/3+SCHUK
13	CE1280A0	CAVO COLLEGAMENTO POTENZA CONTROLLO L=1,5 MT
14	CE1285A0	FERRITE EMI ROUND MOD. 2643801502
15	CE1290A0	MORSETTO FEMMINA ESTRIBILE CPF 5/4
16	CR1000A0	ATTACCO CERNIERA PORTA FORNO RIBALTA L.M.
17	CR1045A0	CERNIERA PORTA FORNO RIBALTA XVC054
18	EL1055A0	RIDUZIONE J.G. DA D=10 A D=8 PM201008E
19	EL1185A0	RACCORDO A GOMITO J.GUEST Ø8 - Ø8
20	EL1195A0	RACCORDO A GOMITO CON J.GUEST CODOLO D8 - D8
21	EL1251A0	ELETTROVALVOLA H2O 1 VIA RID. MAR. JS IN Ø8-OUT Ø10 240V
22	GN1055A0	OR 46x2 VMQ 70 ROSSO
23	GN1065A1	GUARNIZIONE PORTALAMPADA DE=53 2 DI=44 2 SP=3 2 PTFE P
24	GN110A2	GUARNIZIONE PORTA PROFILO 248 LINEIMS-XCH030
25	GN1130A0	GUARNIZIONE SUPPORTO VETRO L.M. L=23mm
26	GN1140A0	GUARNIZIONE PORTAMOTORE STAMP. ALBERO MOT. D10 XB-X
27	GN1190A0	GUARNIZIONE SONDA DI TEMPERATURA C.T
28	GN1200A0	GUARNIZIONE D=24 RACCORDO 3/4 GOMMA+RETE
29	GN224	GUARN PTFE+CARB 100x22x0,8sp-c/lori 1999
30	GR1075A0	GRIGLIA LATERALE DX/SX INOX 3 TG GN XVC054-XVC104
31	GRP755	GRIGLIA GN2/3 PIANA CROMATA 354X325
32	MG1015A0	TERMINALE MANIGLIA L.M.
33	PD1001A0	PIEDINO 35X35 H26 PLASTICA+GOMMA GRIGIO
34	PE1345A1	DISTANZIALE NYLON INCASTRO MASCHIO-INCASTRO MASCHIO
35	PE1355D0	SCHEDA CONTROLLO TOUCH C.T. SERIE 1
36	PE1365C0	SCHEDA POTENZA C.T. SERIE 1 230V 50/60Hz
37	RC1170A1	DADO M14 H=8 CH=22 INOX
38	RC1210A0	RACCORDO 3/4 FEMMA. - J.GUEST Ø8 CON FILTRO
39	RS1090A1	RESISTENZA CIRCOLARE D=230 3 SPIRE H78 2900W 230V
40	TB008	TUBO PE 7,93x4,75 TRASPARENTE
41	VE1135A0	ATTUATORE VENTURI 220V 50/60 Hz SERIE 2
42	TR1040A0	SONDA AL CUORE STAMPATA L=1420
43	TR1045A0	SONDA TEMPERATURA NTC 150
44	TR254	TERM.SIC.BIP.335 °C RIARMO MANUALE
45	VE086B	MICROINTERRUTTORE PORTA MF09 16A
46	VE1005A1	LAMPADA ALOGENA 40W 230V
47	VE1010A0	VETRO COPRI LAMPADA VAPORE BORSILICATO
48	VE1015A1	PORTA LAMPADA SERIE 2 PER LAMPADA ALOGENA
49	VE221	CONDENSICAR PRL Suf 450V FASTON
50	VE1115A0	MINICONTATTORE QUADRIPOLORE 20 A 230 V
51	VI1035A1	NOTTOINO M6x12,5 CON TAGLIO OTT.CROM.FERMA GRIGUE X
52	VI1515A1	SUPPORTO SONDA AL CUORE CON CAVA PER FILO INOX
53	VM1025A0	TAPPO NYLON PA66 V2 GRIGIO Ø16
54	VM1045B0	TAPPO SUP. DX COLONNINA PORTA VETRO INTERNO L.M.
55	VM1046B0	TAPPO SUP. SX COLONNINA PORTA VETRO INTERNO L.M.

56	VM1065A0	CIUFFIA COPRI CAMINO FLUMI L.M.
57	VM1075A1	CLIP DI FISSAGGIO PER TELERUTTORI
58	VM1150A0	COPERCHIO CRUSCOTTO C.T.
59	VM1196A0	PIASTRINA PASSAGGIO CAVI ACCESSORI C.T.
60	VM1200A0	PIASTRINA SUPPORTO MICROPORTA MECCANICO
61	VM1215A0	CASSETTO RACCOGLIGOCCE XVC204
62	VM1220A0	CLIP FISSAGGIO CASSETTO RACCOGLIGOCCE C.T.
63	VM1225A0	PIASTRINA PASSACAVO CONTROLLO ELETTRONICO C.T.
64	VM1260A0	CURVA A 90° RACCORDO SCARICO
65	VM1305A0	DISTANZIALE VETRO PORTA XVC054/104
66	VM250	MORSETT A PETTINE
67	VN1000B1	MOTORE COND.SUF 200W ALB.M8 CONN 5 POU
68	VN1025A2	VENTOLA D=196 H=61 38 PALE INOX DADO M8
69	VT1115A0	VETRO INTERNO 489X414X4 BETFL XVC054
70	VT1116A0	VETRO ESTERNO SER. GRIGIO 572X424X5 TPL XVC054
72	GN1045A0	GUARN ANTIVIBR. CAMINO-SCARICO ø131-øe39,9-Sp=7,5
73	OH3041A0	PROFILO COPRICAMMINO INOX XVC054/104

### DESCRIPTION

1	OD1430A0	XVC054 STAINLESS STEEL COVER
2	OF1145A0	XVC054 STAINLESS STEEL BACK PANEL
3	OG1155A0	XVC054 STAINLESS STEEL FAN GUARD PANEL
4	OH1450A0	STAINLESS STEEL MUFFLE FRONT FACE ANGLE XB-XV-XG-L.M.
5	OH2305A0	INTERNAL WATER PIPE D=16 Sp=1 INOX L.M.-C.T
6	OH2550A0	STAINLESS STEEL COVER FOR DRAIN PIPE CHEFTOP
7	OH2600A0	XVC054 STAINLESS STEEL COMPONENTS HOLDER PROFILE
8	OH2615A0	XVC054 STAINLESS STEEL HANDLE TUBE D-BXT=18 TH=1 L=492
9	OH2850A0	ZINCD MUFFLE SUPPORT BRACKET XVC054/104
10	OH3015A0	EXTERNAL WATER PIPE + WELDED CONNECTION
11	OH3020A0	STAINLESS STEEL SEALING DISC FOR MOTOR
12	CE116	EL CABLE 3x1,5 H07RN-F MIT1,5+K1/3+SCHUKO
13	CE1280A0	CABLE TO CONNECT POWER-CONTROL BOARD L=1,5 MT
14	CE1285A0	EMI ROUND FERRITE MOD. 2643801502
15	CE1290A0	EXTRACTABLE FEMALE TERMINAL CPF 5/4
16	CR1000A0	HINGE LATCH L.M.
17	CR1045A0	DOOR HINGE XVC054
18	EL1055A0	J.G. REDUCTION FROM D=10 TO D=8 PM201008E
19	EL1185A0	ELBOW CONNECTION J. GUEST Ø8 - Ø8
20	EL1195A0	ELBOW UNION WITH J. GUEST TERMINAL D8 - D8
21	EL1251A0	ONE INLET WATER VALVE J.G.CONN. BROWN RED. Ø8-OUT Ø10 2
22	GN1055A0	OR 46x2 VMQ 70 RED
23	GN1065A1	SEAL FOR LAMP GLASS COVER (PURE PTFE) DE=53 2 DI=44 2 TH=
24	GN110A2	DOOR GASKET PROFILE 248 LINE M55-XCH030
25	GN1130A0	INT. GLASS SEAL L.M. L=23mm
26	GN1140A0	MOTOR GASKET
27	GN1190A0	CHEFTOP TEMPERATURE PROBE SEAL
28	GN1200A0	SEAL D=24 CONNECTION 3/4 RUBBER+NET
29	GN224	PTFE+CARB 100x22x0,8sp-w/holes 1999 GASKET
30	GR1075A0	RIGHT/LEFT LATERAL GRID STAINLESS STEEL 3 TRAYS XVC054-XVC
31	GRP755	GRID GN2/3 FLAT CHROMIUM PLATED 354X325
32	MG1015A0	HANDLE END L.M.
33	PD1001A0	FOOT 35X35 H26 GREY PLASTIC+RUBBER
34	PE1345A1	NYLON SPACER MALE-MALE H=14
35	PE1355D0	CONTROL CARD TOUCH C.T. SERIE 1
36	PE1365C0	POWER CARD C.T. SERIE 1 230V 50/60 HZ
37	RC1170A1	STAINLESS STEEL NUT M14 H=8 CH=22
38	RC1210A0	3/4 FEMALE CONNECTION - J. GUEST Ø8 WITH FILTER
39	RS1090A1	CIRC.HEAT. ELEMENT D=230 3 TURNS H78 2900W 230V
40	TB008	TRANSPARENT TUBE PE 7,93x4,75
41	VE1135A0	VENTURI ACTUATOR 220 V 50/60 Hz SERIES 2
42	TR1040A0	MOLDED CORE PROBE L=1420
43	TR1045A0	TEMPERATURE PROBE NTC 150
44	TR254	SECURITY THERMOSTAT BIP. 335 °C
45	VE086B	DOOR MICROSWITCH MF09 16A
46	VE1005A1	HALOGEN LAMP 40W
47	VE1010A0	BORSILICATE LIGHT BULB GLASS COVER
48	VE1015A1	LAMP HOLDER SERIE 2 FOR HALOGEN LAMP
49	VE221	ICAR CONDENSER PRL Suf 450V FASTON
50	VE1115A0	MINICONTACTOR WITH 4 POLES 20 A 230 V
51	VI1035A1	CHROMIUM PLATED BRASS NUT M6x12,5 TO STOP LATERAL SUP
52	VI1515A1	STAINLESS STEEL CORE PROBE SUPPORT WITH CANAL FOR CABLE
53	VM1025A0	NYLON LID PA66 V2 GRAY Ø16
54	VM1045B0	RIGHT UPPER LID FOR COLUMN FOR INTERNAL GLASS L.M.
55	VM1046B0	LEFT UPPER LID FOR COLUMN FOR INTERNAL GLASS L.M.

56	VM1065A0	PLASTIC COVER FOR FUMES CHIMNEY L.M.
57	VM1075A1	PLASTIC CLIP TO FIX CONTACTORS
58	VM1150A0	CHEFTOP CONTROL PANEL CAP
59	VM1196A0	PASSAGE PLATE FOR ACCESSORIES CABLES CHEFTOP
60	VM1200A0	DOOR MECHANIC MICROSWITCH SUPPORT PLATE
61	VM1215A0	XVC204 DRIP TRAY
62	VM1220A0	CLIP TO FIX DRIP TRAY CHEFTOP
63	VM1225A0	PLATE WITH HOLES FOR ELECTRONIC CABLE CHEFTOP
64	VM1260A0	90 °C CURVED DRAIN PIPE
65	VM1305A0	SPACER FOR DOOR GLASS XVC054/104
66	VM250	"COMB" TERMINAL BOARD
67	VN1000B1	MOTOR WITH CONDENSER SUF 200W SHAFT.M8 CONN 5 POLES
68	VN1025A2	FAN D=196 H=61 38 BLADES STAINLESS STEEL NUT M8
69	VT1115A0	INTERNAL GLASS 489X414X4 BETFL XVC054
70	VT1116A0	EXTERNAL GREY GLASS 572X424X5 TPL XVC054
72	GN1045A0	ANTIVIBR SEAL FOR EXHAUST CHIMNEY ø131-øe39,9-Sp=7,5
73	OH3041A0	STAINLESS STEEL CHIMNEY COVER XVC054/104