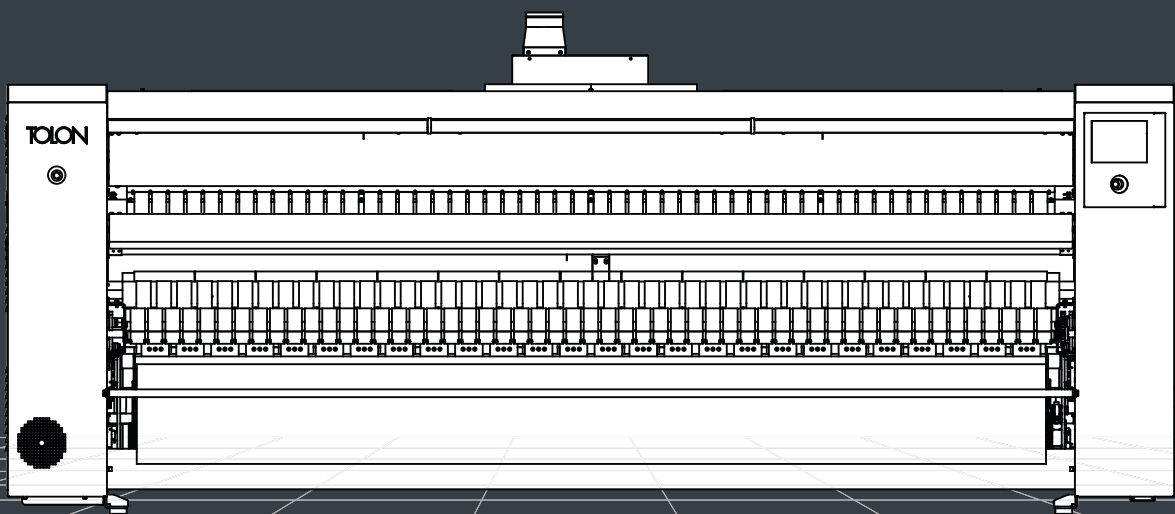


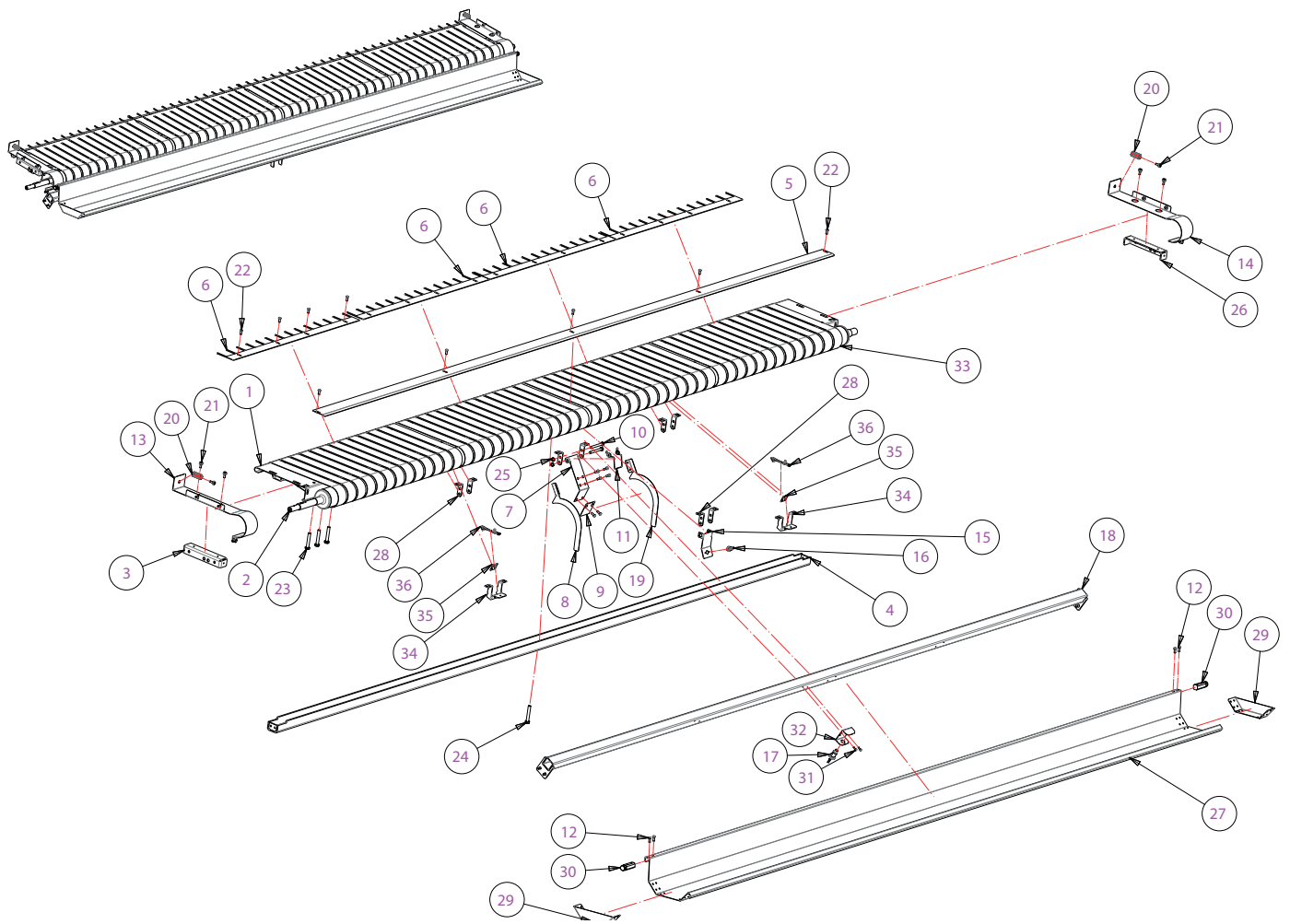
TOLON

Spare Parts List



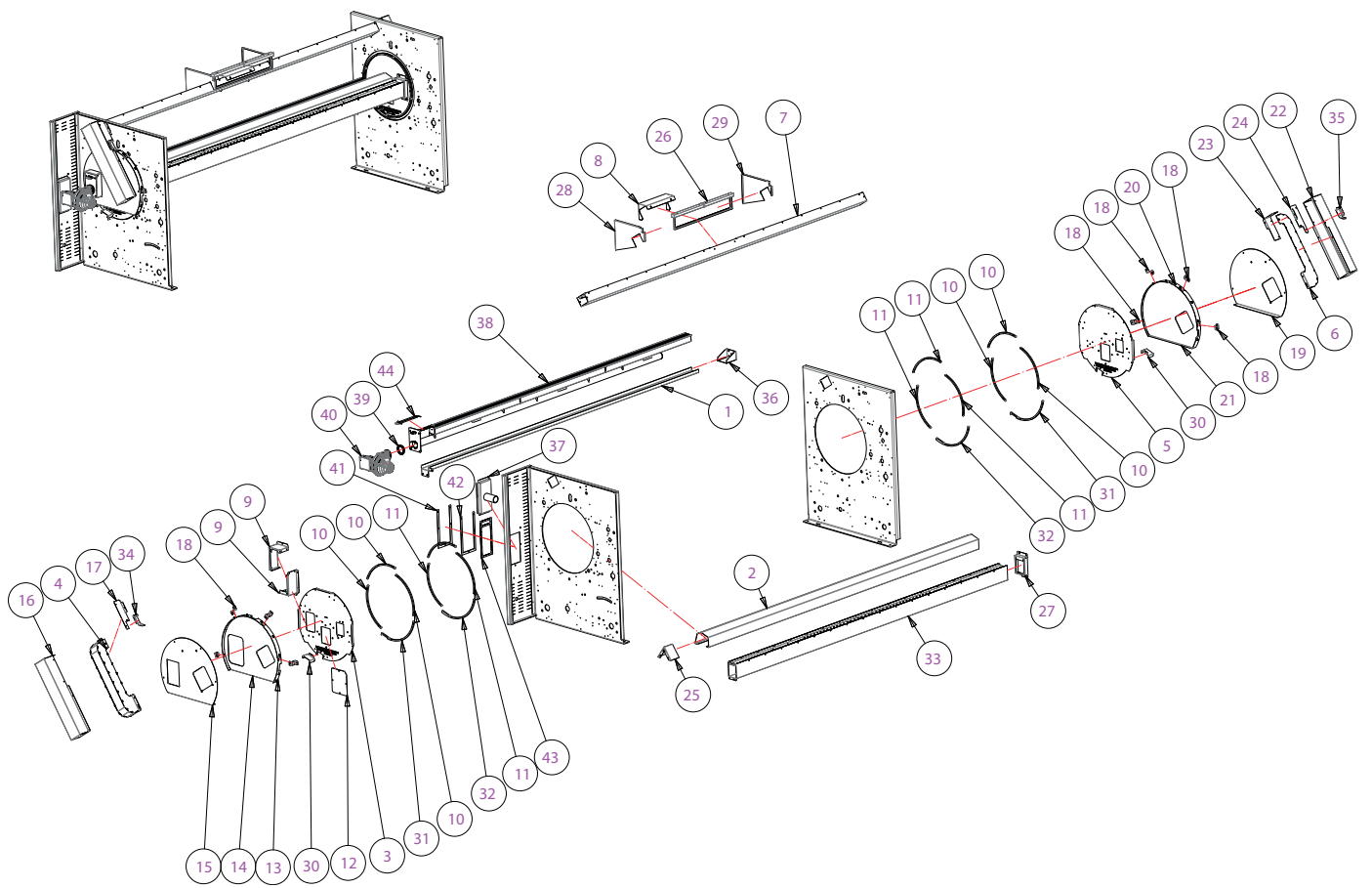
TFI6032

TFI6032 FEEDING TABLE



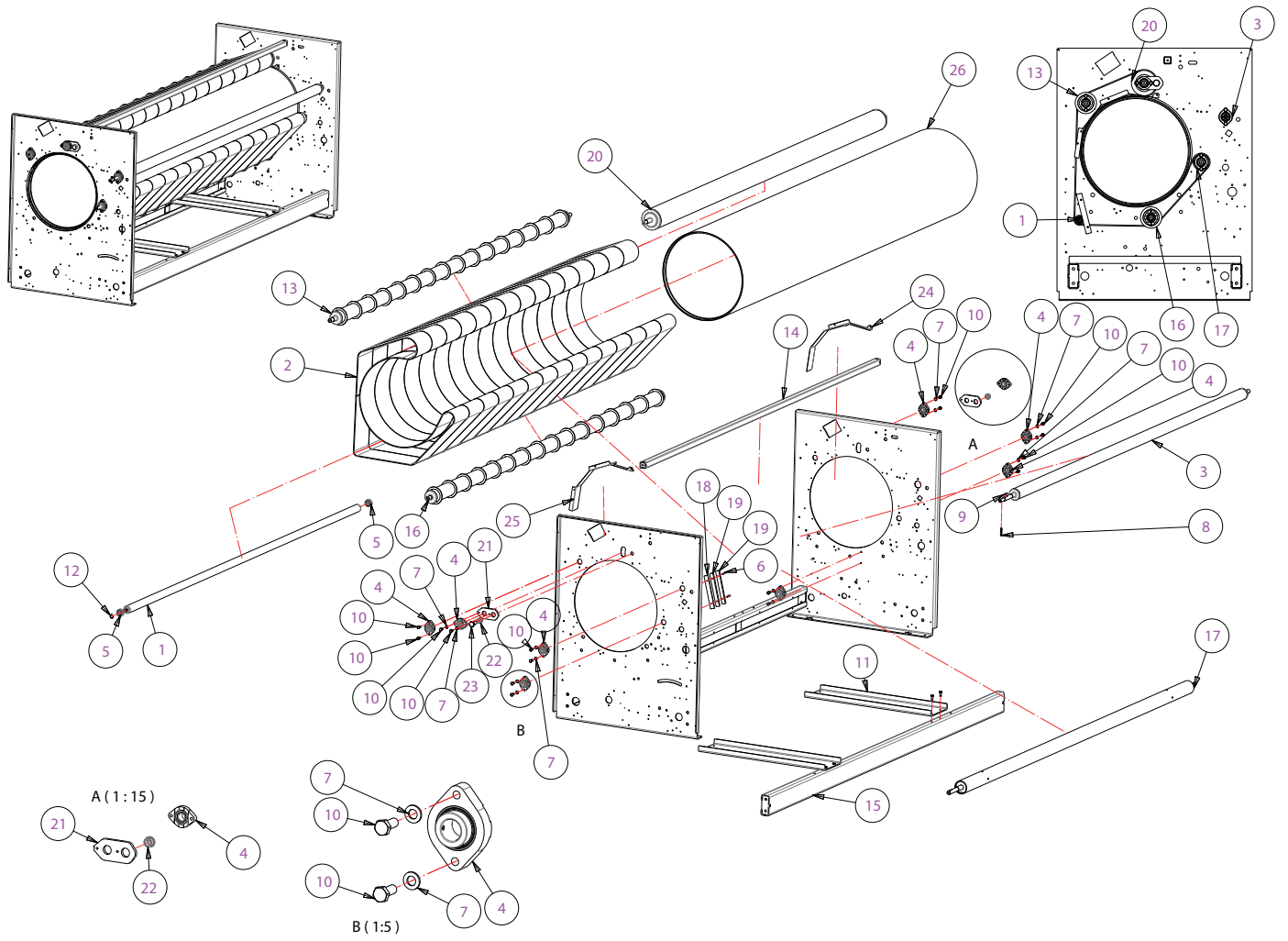
Item	Part Number	Description
1	TY46481	Transmitter Tape Sheet Welded
2	TY47945	M1 Roller Processed Ø76
3	TY47607	Transmitter Tape Carrier Ear Right
4	TY48105	Transmitter Tape Bottom Support Welded
5	TY46156	Sending Tape M1 Closing Sheet Sheet
6	TY46718	Transmitter Tape Separator Sheet
7	TY46309	Scraper Intermediate Part
8	TY46311	Direction Plate Right
9	TY46310	Scraper Sheet
10	TH0080060321	Bolt Metric M8X70 933 White
11	TH0090010180	Winding Spring Chrome 1.8 Mm
12	TH0080050002	Bolt M6x16 Inbus
13	TY46937	Transmitter Stand Side Cover Sheet Right
14	TY46969	Transmitter Stand Side Cover Sheet Left
15	TY46374	High Temperature Thermostat Sheet
16	TH0190050021	Thermostat Normally Closed 110C
17	TH0260220115	Sensor Sick Gr18S-F2336 - 1059533 Cylindrical Photocell
18	TY48144	Cable Duct Profile Welded
19	TY47244	Guiding Plate Left
20	TH0090010173	Spring 1,5 Mm D:19,5 Mm L:36 Mm
21	TH0080220002	Bolt M6x16 Flanged
22	TH0080050109	Bolt M6x16 Inbus
23	TH0080040046	Bolt Metric M10X60 931 Yp White
24	TH0080040035	Bolt Metric M10X65 931 8.8 White
25	TH0080070033	Nut M8 Fiber
26	TY46162	Transmitter Tape Carrier Ear Left
27	TY46666	Sheet Box
28	TY46308	Scraper Upper Connection Sheet
29	TY46667	Sheet Box Side Support Sheet
30	TY46150	Feeding Roller
31	TH0080050143	Bolt Metric Imbus M4X12 White
32	T00008630	Sensor Connection Sheet Bended (Gr18S) TFI6026-6032
33	TY46241	Transmitter Tape (730Mm)
34	T00009740	Thermocouple Holder Sheet Bended TFI6026-6032
35	T00009810	Thermocouple Anti-Rotation Sheet TFI6026-6032
36	T00010160	Thermocouple Head Sheet Welded

TFI6032 GAS HEATING ASSEMBLY



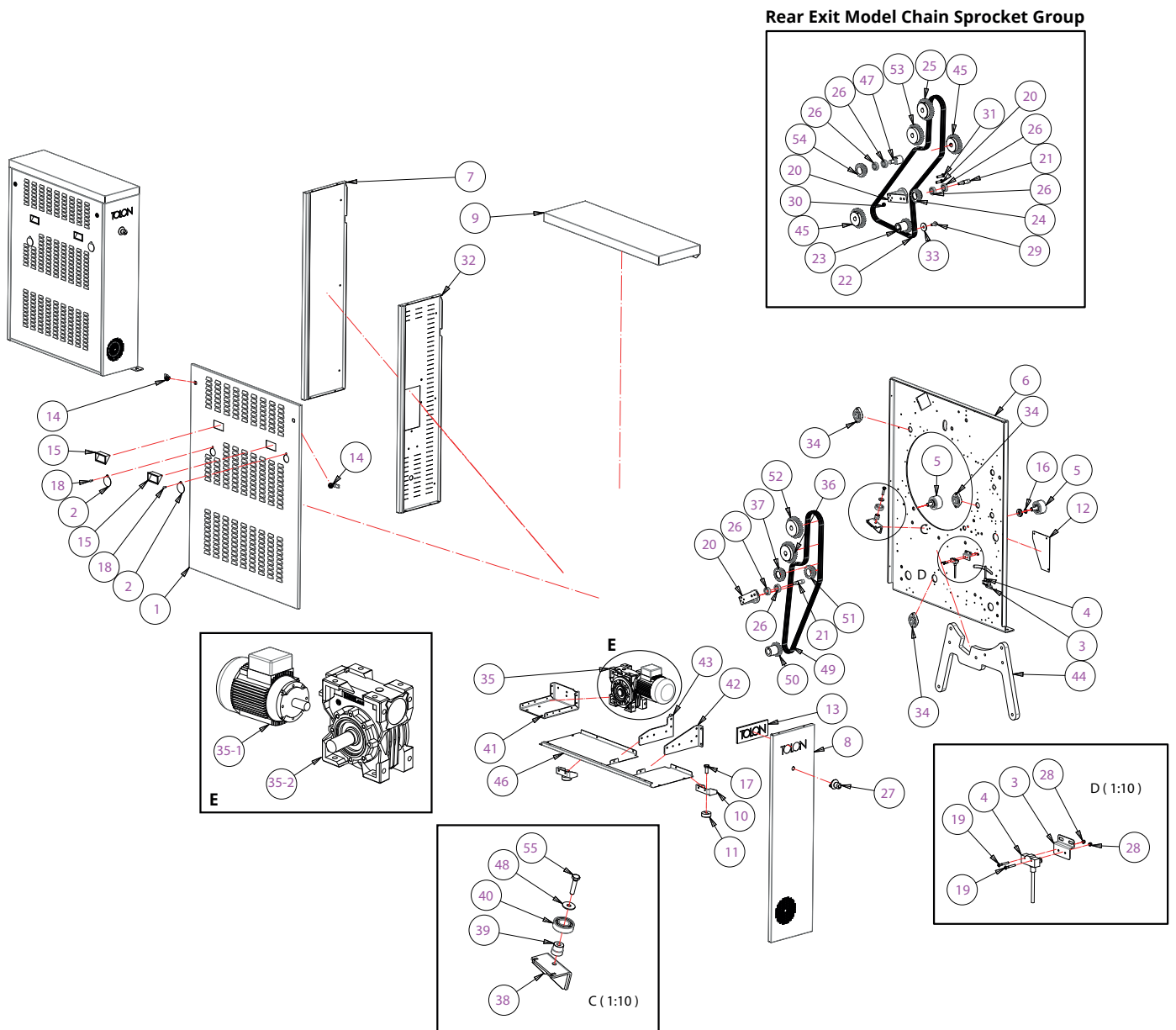
Item	Part Number	Description
1	TY47580	Burner Bearing Plate (Single Drive Model)
2	TY47581	Air Direction Plate (Single Drive Model)
3	TY47337	Cylinder Closing Right Gas Operated
4	TY47280	Waste Gas Duct Elbow Mounted Right (Phantom) TFI6026-6032
5	TY47338	Cylinder Closing Left Gas
6	TY47281	Waste Gas Duct Elbow Mounted Left (Phantom) TFI6026-6032
7	TY47282	Waste Gas Duct Within Vacuum Chamber Line Mounted (Phantom) TFI6026-6032
8	TY47277	Waste Gas Duct Fan Direction Cap
9	TY47308	Combustion Head With Midthroat Mounted (Phantom) TFI6026-6032
10	TY47275C	Inside Cylinder Heat Barrier Sheet Bottom 10Mm
11	TY47276C	Inside Cylinder Heat Barrier Sheet Top 10Mm
12	TY46286	Inside Cylinder Mounting Cavity Closing Plate
13	TY47498	Heat Insulation Outer Circle Right
14	TY47499	Heat Insulation Middle Sheet Right
15	TY47656	Heat Insulation Outer Bottom Cover
16	TY47657	Heat Insulation Exhaust Bottom Right
17	TY47660	Heat Insulation Exhaust Top Closing Right
18	TY47661	Heat Insulation Pedestal Connection Ear
19	TY47668	Heat Insulation Outer Bottom Cover Left
20	TY47666	Heat Insulation Outer Circle Left
21	TY47667	Heat Insulation Middle Sheet Left
22	TY47662	Heat Insulation Exhaust Bottom Left
23	TY47664	Heat Insulation Exhaust Top L Left
24	TY47663	Heat Insulation Exhaust Top Closing Left
25	TY46167	Air Direction Plate Holder
26	TY47918	With Filter Mount (Central Drive Model)(Phantom) TFI6026-6032
27	TY47931	Waste Gas Duct Holder Sheet
28	TY47936	Vacuum Chamber Filter Side Closing Gas Right
29	TY47935	Vacuum Room Filter Side Closing Gas Left
30	TY47937	Stoper Bearing Casing Sheet Sheet
31	TY47939C	In-Cylinder Heat Barrier Sheet Extended Bottom
32	TY47938C	In-Cylinder Heat Barrier Sheet Extended Top
33	TY47999	Waste Gas Discharge Channel (Single Drive Model)
34	TY49859	Heat Insulation Exhaust Bearing Closing Right
35	TY49860	Heat Insulation Exhaust Bearing Closing Left
36	TY46941	Burner End Bearing Plate Welded
37	TY46451	Premix Burner Air Chamber Welded
38	TH0390010013	Burner Combustion Head (Roller Drive Model) TFI6032
39	TY46493	Burner Intermediate Flange TFI-6032
40	TH0380040040	Burner Trx100 Premix TFI6032
41	TY46939	Burner Air Filter Holder Sheet Painted
42	TY46932	Burner Air Filter Frame Sheet TFI6032
43	TY46761	Burner Filter ASSEMBLED TFI6032-6026-3521-3516
44	TH0070090443	Ignition And Ionization Electrode Termokit Double (Premix)

TFI6032 ROLLER GROUP



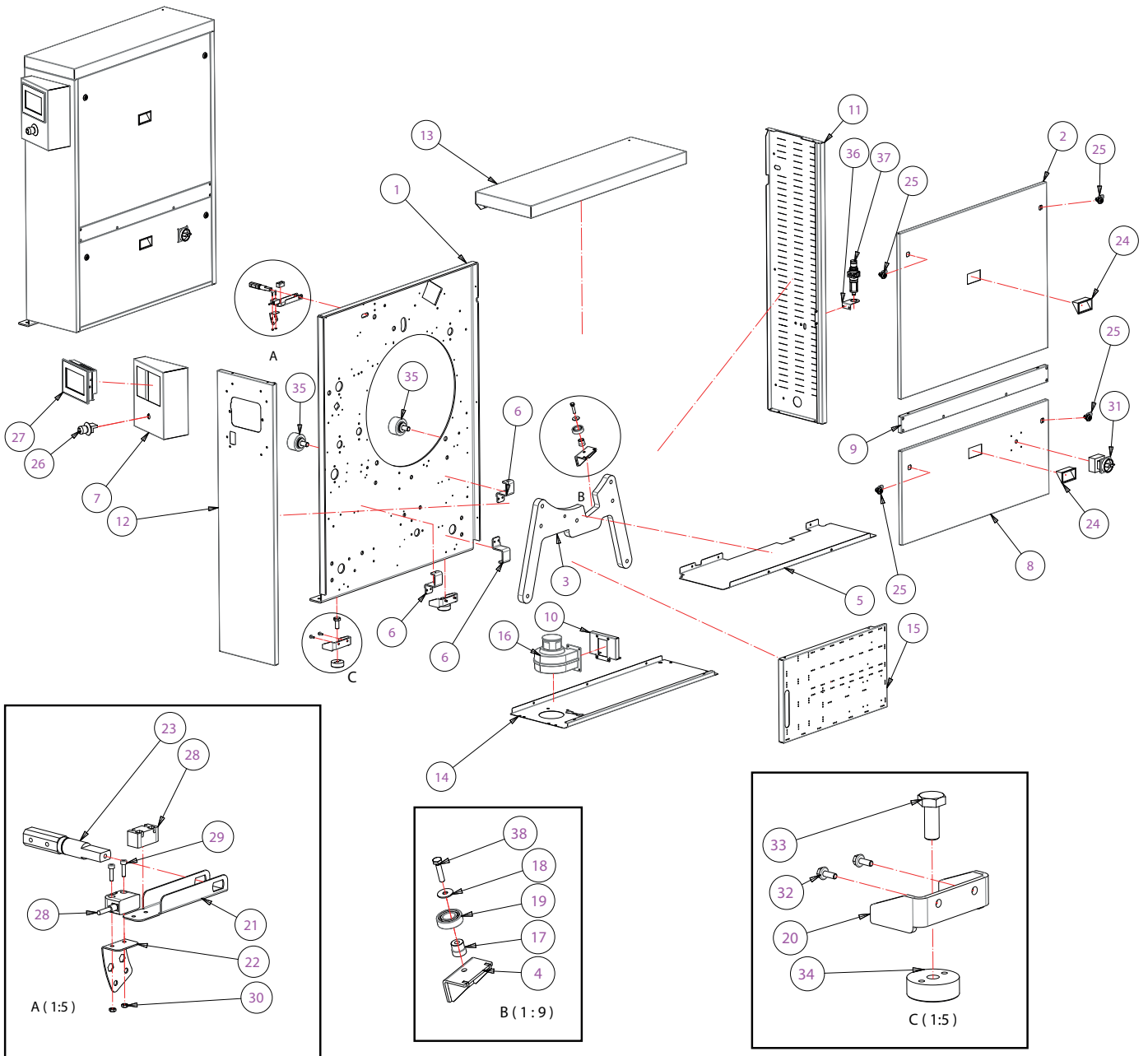
Item	Part Number	Description
1	TY48101	M4 Solid Shaft Diameter=50
2	TH0220070087	Cylinder Ironing Felt
3	TY47945	M1 Roller Processed Ø76
4	TH0290010037	Complete Bearing House Blcte 205 Asahi
5	TH0230010206	Bearing NACHI
6	TH0080050016	Bolt Metric Imbus M6X35 White
7	TH0080090022	Washer Flat M10 White
8	TH0270060005	Pin Slot Din En Iso 8752 D: 8 X 50 Standard Series
9	TH0060040508	Wedge -8X7 L: 40 Mm A Type
10	TH0080030036	Bolt Metric M10X25 933 Tp White
11	TY47923	Carrier Npu Intermediate Support Sheet
12	TH0240010002	Ring 20 (Outer) Din 471
13	TY47325	M3 Strapped Roller (Wheel Drive Model) TFI6032
14	TY47347	Miter Box Profile 40X40 Welded
15	TY47349	Carrier (Heat Sheet Model) Welded
16	TY48104	M5 Strapped Roller
17	TY47400	M6 Roller Welded (Roller Drive Model)
18	TY48112	M4 Roller Sheet 5Mm
19	TY48113	M4 Roller Sheet Top 10Mm
20	TY49851	M2 Roller Mounted (Yat.Rul.Model)
21	TY49848	M2 Roller Bed Connection Sheet
22	TY49844	M2 Holder Sheet Bush
23	TH0080050254	Bolt Metric M20X50 933 White
24	TY47137	Bearing Housing Heat Barrier Cap Left
25	TY49861	Bearing Housing Heat Barrier Cap Right
26	TY47295	Center Cylinder (Wheel Drive Model) Machined TFI6032

TFI6032 BASE ASSEMBLY RIGHT



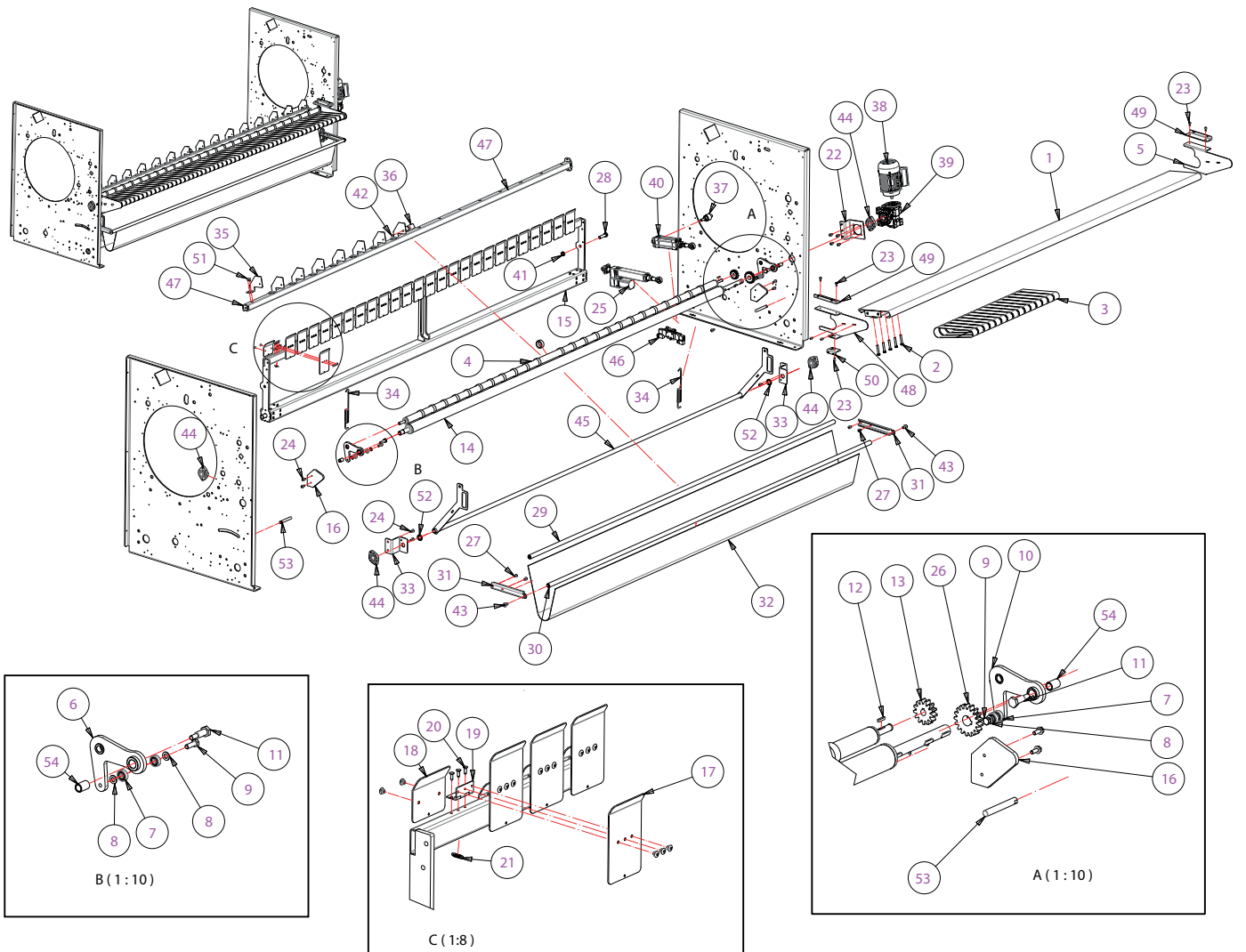
Item	Part Number	Description	Item	Part Number	Description
1	TY46176	TFI6032 Tr46176 Right Side Cover	46	TY47344	Right Pedestal Lower Cover (Roller Drive Model)
2	TY48125	Manual Rotation Arm Hole Cover	47	TY47961	Idle Gear Shaft
3	TY46340	Mechanical Sensor Holder Sheet	48	TY47948C	Cylinder Stopper Bearing Washer
4	TH0260220066	Switch Z-15Gnj55B Omron	49	TH0300010028	Chain Double Row 1/2 Renold 08-B2
5	TY46484	Cylinder Carrier Wheel Complete Bolt TFI3521-6032	50	TH0300030068	Chain Spear 1/2 Pair 19 Tooth (Long)
6	TY47355	Right Pedestal (Roller Drive Model)	51	TH0300030070	Chain Gear 1/2"X2X19 (Special Manufacturing) Machined Coated TFI-6032
7	TY47195	Right Rear Cover Electric	52	TH0300030066	Chain Sprocket 1/2 Pair 31 Tooth
8	TY47956	Right Front Cover (Roller Drive Model)	53	TH0300030086	Chain Sprocket 1/2 Double Row 30 Tooth Special Manufacturing
9	TY48115	Right Upper Cover	54	TH0300030070	Chain Gear 1/2"X2X19 (Special Manufacturing) Machined Coated TFI-6032
10	TY46930	Feet Support Sheet TFI3521-6032	55	TH0080030024	Bolt Metric M10X45 White 933
11	TY46321	Feet Adjustment Shaft			
12	TY48142	Non-Folding Iron Gap Closing Sheet			
13	TH0250200045	Plexy Milk White 100X250X15 mm Tolon Text 2mm Scan TFI3521-6032			
14	TH0380010014	Lock Metal Panel (MESAN SPRING H:15)			
15	TH0360020016	Panel Hand Grip			
16	TY46237	Wheel Intermediate Washer 2Mm			
17	TH0080030032	Bolt M16x40x2			
18	TH0080050002	Bolt M6x16 Inbus			
19	TH0080030069	Met Bolt. M4X30 933 8.8 White			
20	TH0360590002	Rosta Tensioner Se27 M12X40			
21	TY47199	Rosta-Thread Connection Bolt			
22	TH0300010028	Chain Double Row 1/2 Renold 08-B2			
23	TH0300030068	Chain Spear 1/2 Pair 19 Tooth (Long)			
24	TH0300030070	Chain Gear 1/2"X2X19 (Special Manufacturing) Machined Coated TFI-6032			
25	TH0300030066	Chain Sprocket 1/2 Pair 31 Tooth			
26	TH0230010206	Bearing NACHI			
27	TH0250150017	Emergency Stop Button			
28	TH0080070035	Nut M4 Fiber			
29	TH0080220013	Bolt Met Flange M12X30 White 6921			
30	TH0080070031	Nut M12X1.75 Fiber 985 (982) White			
31	TH0080030033	Bolt Metric M12X45 933 8.8 Tp White			
32	TY47164	Right Rear Cover Gas Operated (Twist Model)			
33	TY47245	Drive Motor Gear Washer			
34	TH0290010037	Complete Bearing House Blcte 205 Asahi			
35	TY47586	Motor(0,75Kw)+Reducer(85 Body I:40) Mounted (Phantom) TFI6026-6032			
35-1	TH0200020268	Motor(0,75Kw)			
35-2	TH0200010360	Reducer(85 Body I:40)			
36	TH0300030086	Chain Sprocket 1/2 Double Row 30 Tooth Special Manufacturing			
37	TH0300030070	Chain Gear 1/2"X2X19 (Special Manufacturing) Machined Coated TFI-6032			
38	TY47345	Cylinder Stoppers Welded (Wheel Drive Model)			
39	TY47590	Cylinder Stopper Bearing Shaft (Roller Drive Model)			
40	TH0230010251	Bearing (6205HT200ZZ) SNR			
41	TY47343	Motor Stand Middle Sheet			
42	TY47340	Motor Stand Side Left Sheet			
43	TY47341	Motor Stand Side Right Sheet			
44	TY47360	Pedestal Support M Right (Central Drive Model)			
45	TH0300030088	Chain Sprocket 1/2 Double Row 28 Tooth			

TFI6032 BASE GROUP LEFT



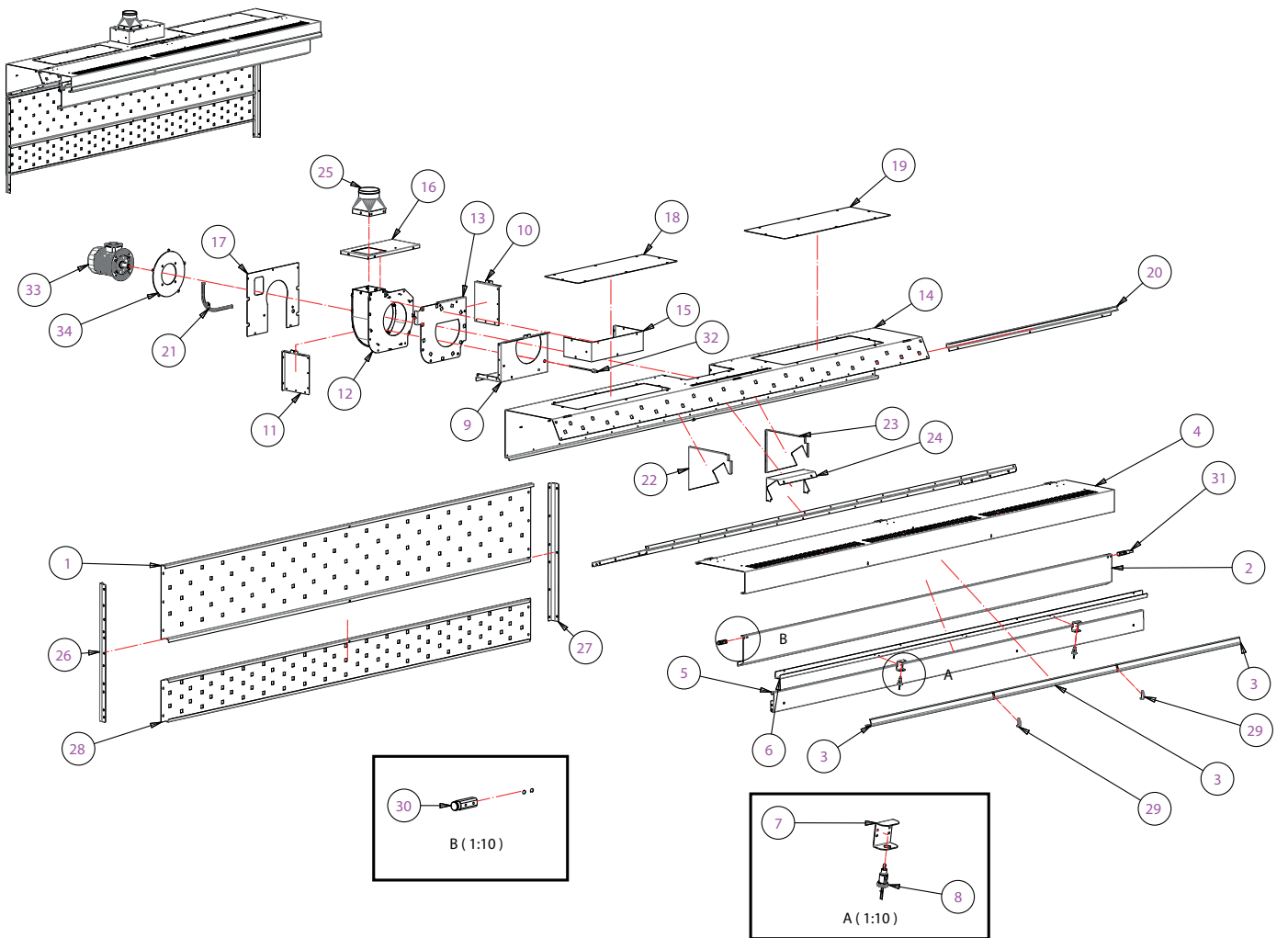
Item	Part Number	Description
1	TY47353	Left Pedestal (Roller Drive Model)
2	TY47358	Left Side Cover (Fan Back Model)
3	TY47361	Pedestal Support M (Roller Drive Model)
4	TY47345	Cylinder Stoppers Welded (Wheel Drive Model)
5	TY47321	Panel Protection Plate (Roller Drive Model)
6	TY46940	Panel Holder Sheet
7	TY47362	Control Panel (Without Relay Panel) Welded
8	TY47196	Panel Cover (Electric)
9	TY48141	Left Side Intermediate Compartment Cover
10	TY46381	Elc. Internal Panel Fan Connection Sheet
11	TY47147	Left Rear Cover (Bended Model)
12	TY48127	Front Left Cover (Bended Model)
13	TY47359	Upper Left Cover (Fan Back Model)
14	TY48128	Lower Left Cover
15	TY46724	Panel Sheet (Elc+Gas)
16	TH0200060113	S214 G2E120-Ar77-01 Snail Fan Akantel
17	TY47590	Cylinder Stopper Bearing Shaft (Roller Drive Model)
18	TY47948C	Cylinder Stopper Bearing Washer
19	TH0230010251	Bearing (6205HT200ZZ) SNR
20	TY46930	Feet Support Sheet TFI3521-6032
21	TY47105	Hand Protection Magnetic Sensor Fixing Sheet TFI6032-3521
22	TY47106	Hand Protection Magnetic Sensor Fixing L Sheet TFI6032-3521
23	TY47059	Hand Protection Magnetic Sensor Right Shaft TFI6032
24	TH0360020016	Panel Hand Grip WE110
25	TH0380010014	Lock Metal Panel (MESAN SPRING H:15)
26	TH0250150017	Emergency Stop Button
27	TH0250220399	Control Panel Delta Plc
28	TH0260220117	Sensor Pilz PSEN ma1.4-10
29	TH0080060318	Bolt M4x16 Inbus Stainless
30	TH0080070021	Nut M4
31	TH0250070055	Main Switch
32	TH0080220002	Bolt M6x16 Flanged
33	TH0080030032	Bolt M16x40x2
34	TY46321	Feet Adjustment Shaft
35	TY46484	Cylinder Carrier Wheel Complete Bolt TFI3521-6032
36	TY15361	Conditioner Sheet Without Burr
37	TH0110100020	Conditioner 1/4 Single Cup Fr Bit 5 08 Rmsa Mw 5205007
38	TH0080030024	Bolt Metric M10X45 White 933

TFI6032 FOLDING MECHANISM



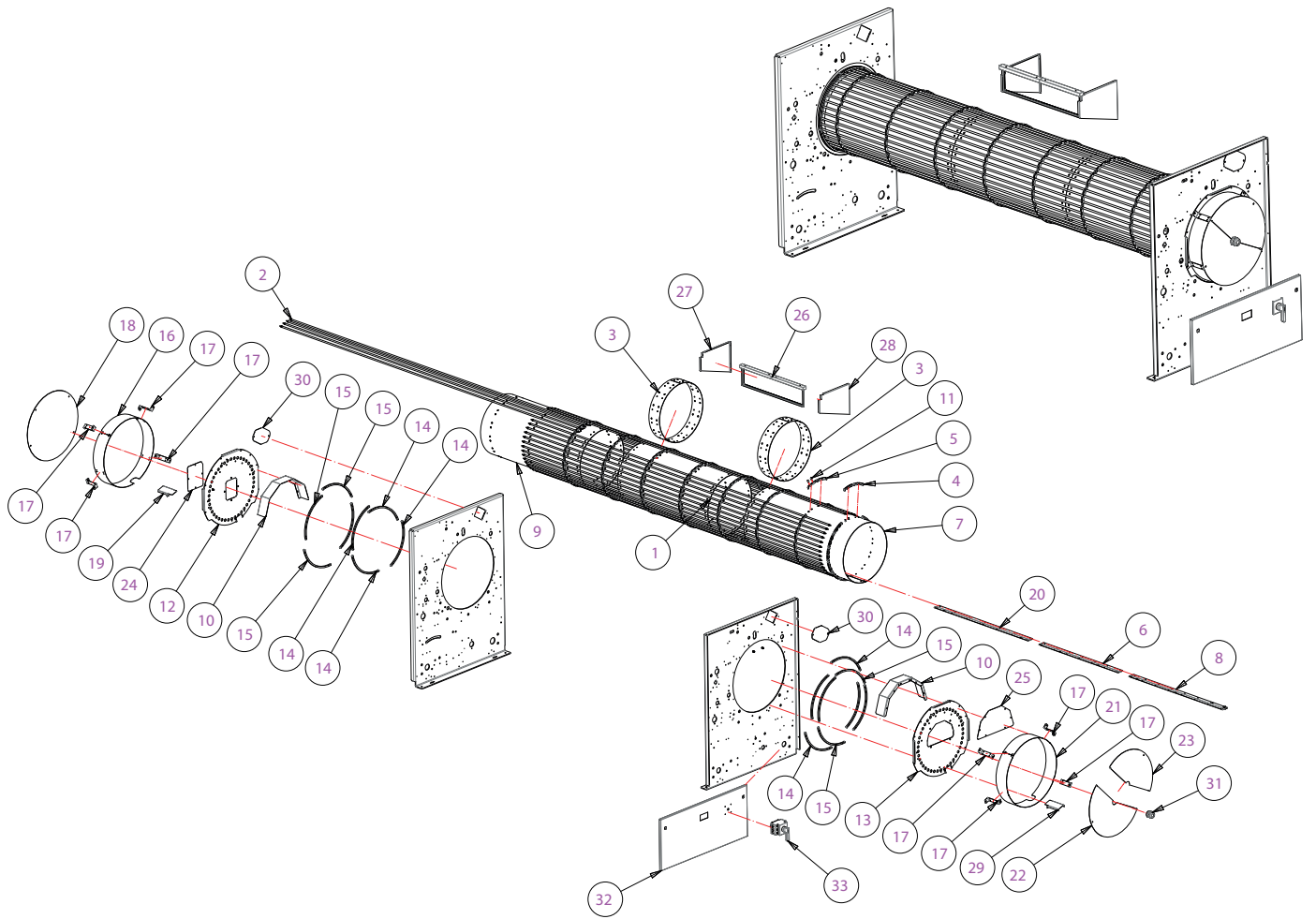
Item	Part Number	Description
1	TY46430	Welded Folding Table
2	TH0080040046	Bolt Metric M10X60 931 Yp White
3	TY46290	Folding Tape
4	TY46490	M7 Silicone Ring Roll TFI-6032 (Phantom)
5	TY48149	Folding Tape Carrier Ear Left
6	TY46418	Roller 7 Side Holder Arm Right TFI-6032-6026
7	TH0230010207	Bearing 6000 Nse (Contact Seal Type) Nachi
8	TH0080090022	Washer Plain M10 White
9	TH0080030031	Bolt Metric M10X30 933 8.8 Tp White
10	TY47547	Roller 7 Side Holder Arm Left TFI-6032
11	TY46246	L Arm Connection Bolt
12	TH0060040559	Wedge Din 6885-1 Aa 5X5X25
13	TH0300030064	Chain D. Special Manufacturing White Chestamite Z: 13 Diameter: 60 Mm
14	TY48140	M8 Roller Processed
15	TY47545	Folding Arm Welded (Profil Model)
16	TY48135	M7 Pusher Ear
17	TY46184	Folding Sheet Large
18	TY46185	Folding Sheet Small
19	TH0360030036	Hinge A2 50X25X1,5 Typ C (80494006002)
20	TH0270010054	Sheet Metal Screw 4,2X16 Drill Tip Rysb (With Washer)
21	TH0090010174	Spring 0.7 Mm D:6 Mm L:17.2 Mm
22	TY46936	Reducer Connection Sheet (Folding)
23	TH0080220002	Bolt Met Flange M6X16 6921 White
24	TH0080220004	Bolt Met Flange M8X20 6921 White Served
25	TH0110040328	Ems32-Parallel-Strok-100 Mm Linear Actuator
26	TH0300030059	Chain Spear Special Manufacturing White Chestamite Z:17 Diameter:76 Mm (Image No:Tr-46192-00)
27	TH0080220003	Bolt Met Flange M8X16 6921 White
28	TH0080030062	Bolt Metric M16X60 933 8.8 Tp White.
29	TY46942	Canvas Holder Pipe Movable (Welding)
30	TY46943	Canvas Holder Pipe Fixed Welded
31	TY46933	Canvas Holder Sheet
32	TY46358-00	Folding Shade TFI-6032 (Phantom)
33	TY46931	Manual Arm Holder Ear
34	TH0090010179	Spring Pull 4.2 Mm L:285 Mm
35	TY46281	Felt Separator Sheet Front
36	TY46312	Reflector Holder Sheet
37	TY30425	40X70 Pnomatic Piston Connection Junk
38	TH0200020287	Motor 0,37Kw 1500D/D (Qmfc71M4C) B14 220V Mono Phase Wat
39	TH0200010136	Reducer Fnr 50 1:28 71 B14 Ac25 Varvel (Without Shaft)
40	TH0420010120	Pneumatic Cylinder 50X70 With Cushion
41	TH0080070042	Nut M16 Fiber 985 White
42	TH0080050062	Bolt Metric Imbus M5X16 White
43	TH0080220006	Bolt Met Flange M12X25 6921 White
44	TH0290010037	Complete Bed Blcte 205 Asahi
45	TY46945	Sheet Accumulation Chamber Welded
46	TH0110090119	Valve Air 1/4" 5/3 Double Coil 7020022100
47	TY47960	Belt Separator Sheet Prile Side Entry Welded
48	TY48137	Folding Tape Carrying Ear
49	TY48138	Folding Ear Holder Top Sheet
50	TY48139	Folding Ear Holder Top Sheet
51	TR-46415-00	Band Separator Sheet Profile
52	TY46292	Manual Folding Arm Intermediate Bush
53	TY47524	Pool Resting Part
54	TY46245	V Connecting Arm Bush Roller Connected

TFI6032 VACUUM ROOM



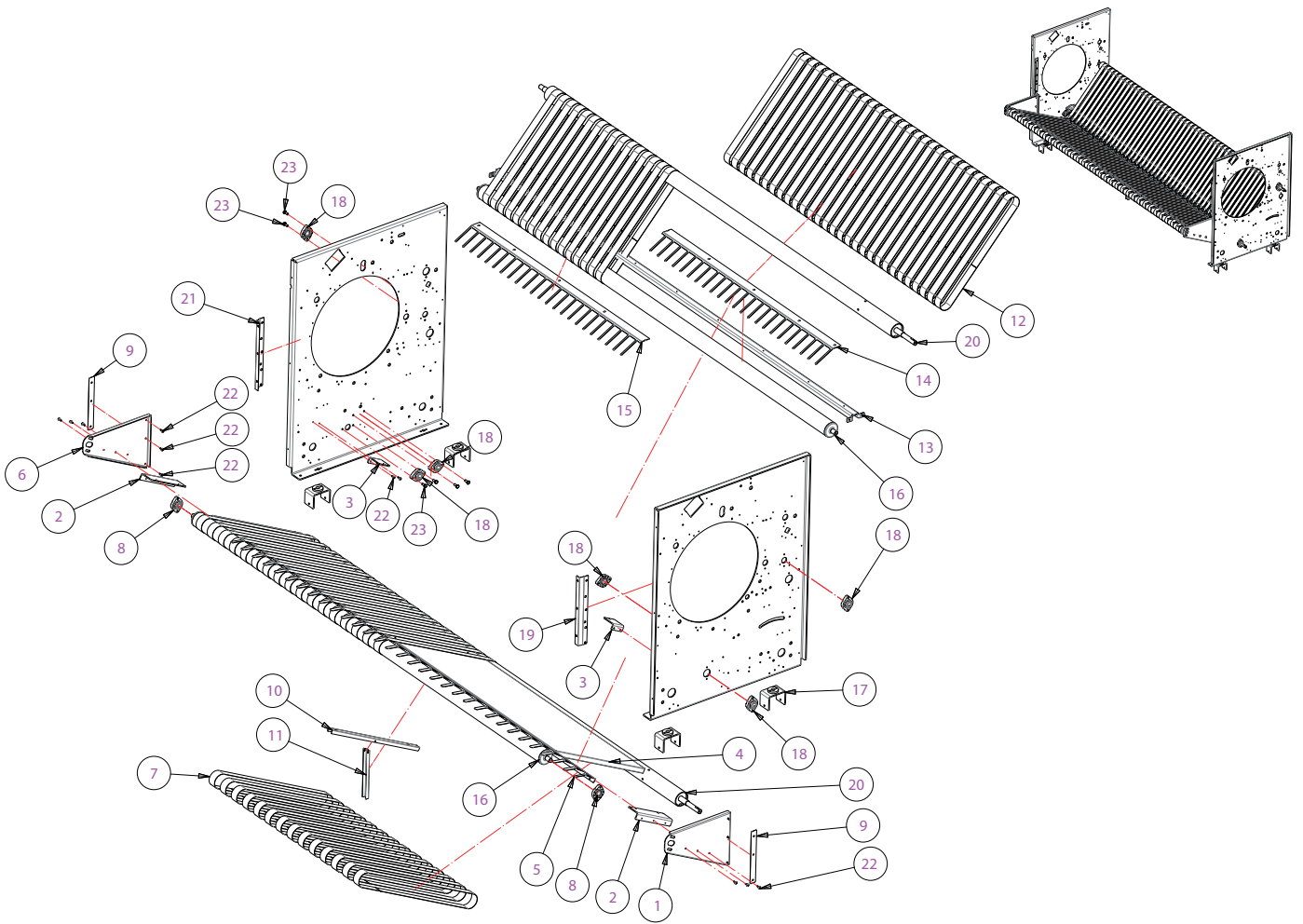
Item	Part Number	Description
1	TY46912	Rear Top Cover
2	TY46938	Transmitter Tape Top Curtain Sheet
3	TY46326	Top Front Injection Profile
4	TY46460	Front Vacuum Room Assembled
5	TY47603	Vacuum Front Room Intermediate Sheet
6	TY47604	Sensor And Led Connection Sheet
7	T00008630	Sensor Connection Sheet Bended (Gr18S) TFI6026-6032
8	TH0260220115	Sensor Sick Gr18S-F2336 - 1059533 Cylindrical Photocell
9	TY47332	Fan Case Middle Sheet
10	TY47333	Fan Case Left Side Closure
11	TY47334	Fan Case Right Side Closure
12	TY47674	Snail Fan Mounted (Wheel Drive Model) (Phantom) TFI6026-6032
13	TY47597	Snail Connection Sheet
14	TY47303	Phantom TFI6032 With Rear Vacuum Chamber Mounted (Fan Rear Model)
15	TY47331	Closing Sheet Around The Fan
16	TY47329	Fan Closing Sheet Top
17	TY47330	Fan Closing Sheet Rear
18	TY47335	Vacuum Room Cleaning Cover Is Small
19	TY47336	Vacuum Room Cleaning Cover Large
20	TY47942	Fan Motor Cable Duct
21	TY47934	Exhaust Sensor Cable Duct
22	TY47936	Vacuum Room Filter Side Closing Gas Right
23	TY47935	Vacuum Room Filter Side Closing Gas Left
24	TY47277	Waste Gas Duct Fan Direction Cap
25	TH0030170029	Reduction Ø125 Mm
26	TY46258	Rear Cover Holder Sheet Right
27	TY46771	Rear Cover Holder Sheet Left
28	TY47606	Rear Cover Sheet Bottom
29	TY30116	Folding Aluminum Slat Cover Painted
30	TY46150	Feeding Roller
31	TY47059	Hand Protection Magnetic Sensor Right Shaft TFI6032
32	TY47996	Vacuum Switch Pipe Assembled
33	TH0200020203	Motor 1.1 Kw 220/380V-50Hz-1500 Rpm 440V-60Hz(Q2Hsfa90S4B02-Kg-Wat)B5
34	TY48131	Motor Connection Sheet

TFI6032 ELECTRIC HEATING UNIT



Item	Part Number	Description
1	TY47970	Heating Element Carrying Cylinder Middle Cylinder
2	TY47979	Heating Element Rod 304 Chrome 1600W (Roller Drive Model)
3	TY46719	Heating Element Carrying Cylinder Jointing Sheet Circle
4	TY46705	Heating Element Fixing Sheet
5	TY46704	Heating Element Holder Sheet
6	TY47967	Heating Element Carrier Cylinder Jointing Sheet Horizontal Middle
7	TY47968	Heating Element Carrier Cylinder Left
8	TY47966	Heating Element Carrying Cylinder Jointing Sheet Horizontal Right
9	TY47969	Heating Element Carrier Cylinder Right Cylinder
10	TY46702	Heating Element Carrying Cylinder Holder Sheet
11	TH0080220002	Bolt M6x16 Flanged
12	TY47950	Heating Element Carrier Sheet Twisted Right
13	TY47972	Heating Element Carrier Sheet Twisted Left
14	TY47276C	Inside The Cylinder Heat Barrier Sheet Top 10Mm
15	TY47275C	Inside Cylinder Heat Barrier Sheet Bottom 10Mm
16	TY47952	Heating Element Casing Circle Right Cylinder B.
17	TY47953	Heating Element Protection Strip Binding Z Sheet
18	TY47954C	Heating Element Storage Ring Cover Right
19	TY47958	Stoper Bearing Protection Sheet Elk.
20	TY47962	Heating Element Carrying Cylinder Jointing Sheet Horizontal Right
21	TY47963	Heating Element Casing Ring Left Cylinder B.
22	TY47964C	Heating Element Casing Strap Cover Lower
23	TY47965C	Heating Element Casing Strap Cover Top
24	TY46286	Inside-Cylinder Mounting Cavity Closing Plate
25	TY46713	Heating Element Inner Window Cover Left
26	TY47974	Filter Mounted Electric (Roller Drive Model)(Phantom) TFI6026-6032
27	TY47977	Vacuum Room Filter Side Closure Electrical Right
28	TY47978	Vacuum Room Filter Side Closure Elk.Left
29	TY47971	Stoper Bearing Protection Sheet Elk. Left
30	TY49842C	Vacuum Room Waste Gas Channel Gap Closing Sheet
31	TH0250110017	Fitting 36 mm Metal
32	TY47196	Panel Cover (Electric)
33	TH0250070055	Main Switch

TFI6032 REAR EXIT GROUP



Item	Part Number	Description
1	TY46952	Rear Exit Carrier Ear Right
2	TY46946	Rear Exit Under Belt Sheet Holder Large
3	TY46948	Rear Exit Under Belt Sheet Holder Small
4	TY47171	Rear Exit Back Belt Under Sheet
5	TY47173	Rear Exit Belt Separator Rake Rear Sheet
6	TY46953	Rear Exit Carrier Ear Left
7	TY47165	Rear Exit Carrier Belt Back(1980mm)
8	TH0290010037	Complete Bed
9	TY47177	Rear Exit Retaining Ear Lower Sheet
10	TY47179	Rear Exit Rear Ramp Support Top
11	TY47180	Rear Exit Rear Ramp Support Bottom
12	TY47181	Rear Exit Carrier Belt Front(1625 Mm)
13	TY46949	Rear Exit Front Ramp Rake Holder Sheet Painted
14	TY46951	Rear Exit Front Ramp Rake Holder Sheet Painted Right
15	TY46950	Rear Exit Front Ramp Rake Holder Sheet Painted Left
16	TY48100	Ø89mm Processed Roller
17	TY47577	Machine Raising Foot Welded
18	TH0290010037	Complete Bed
19	TY47258	Rear Cover Holder Sheet Right (Rear Exit)
20	TY47400	M6 Roller Welded (Drive Model)
21	TY47259	Rear Cover Holder Sheet Left (Rear Exit)
22	TH0080220002	Bolt Met Flange M6x16
23	TH0080030036	Bolt Met. M10x25

