



G6FEA77 (XS-XM-XL)

G6FEA77

CATALOGO PARTI DI RICAMBIO
CATALOGUE PIECES DETACHEES
ERSATZTEILKATALOG
SPARE PARTS CATALOGUE



**Catalogo parti di ricambio valido
dalla matricola 0000001 (31.10.2006) ad oggi (27.07.2020)**

**Catalogue pieces detachees
valable à partir du numero de Série n. 0000001 (31.10.2006) jusqu'à aujourd'hui
(27.07.2020)**

**Ersatzteilkatalog
gültig ab Serien-Nr. 0000001 (31.10.2006) bis heute (27.07.2020)**

**Spare parts catalogue
valid from serial no. 0000001 (31.10.2006) up today (27.07.2020)**

**Catálogo de peças de reposição
válido do número de série 0000001 (31.10.2006) até hoje (27.07.2020)**

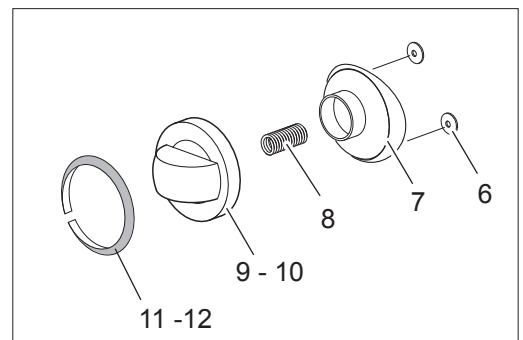
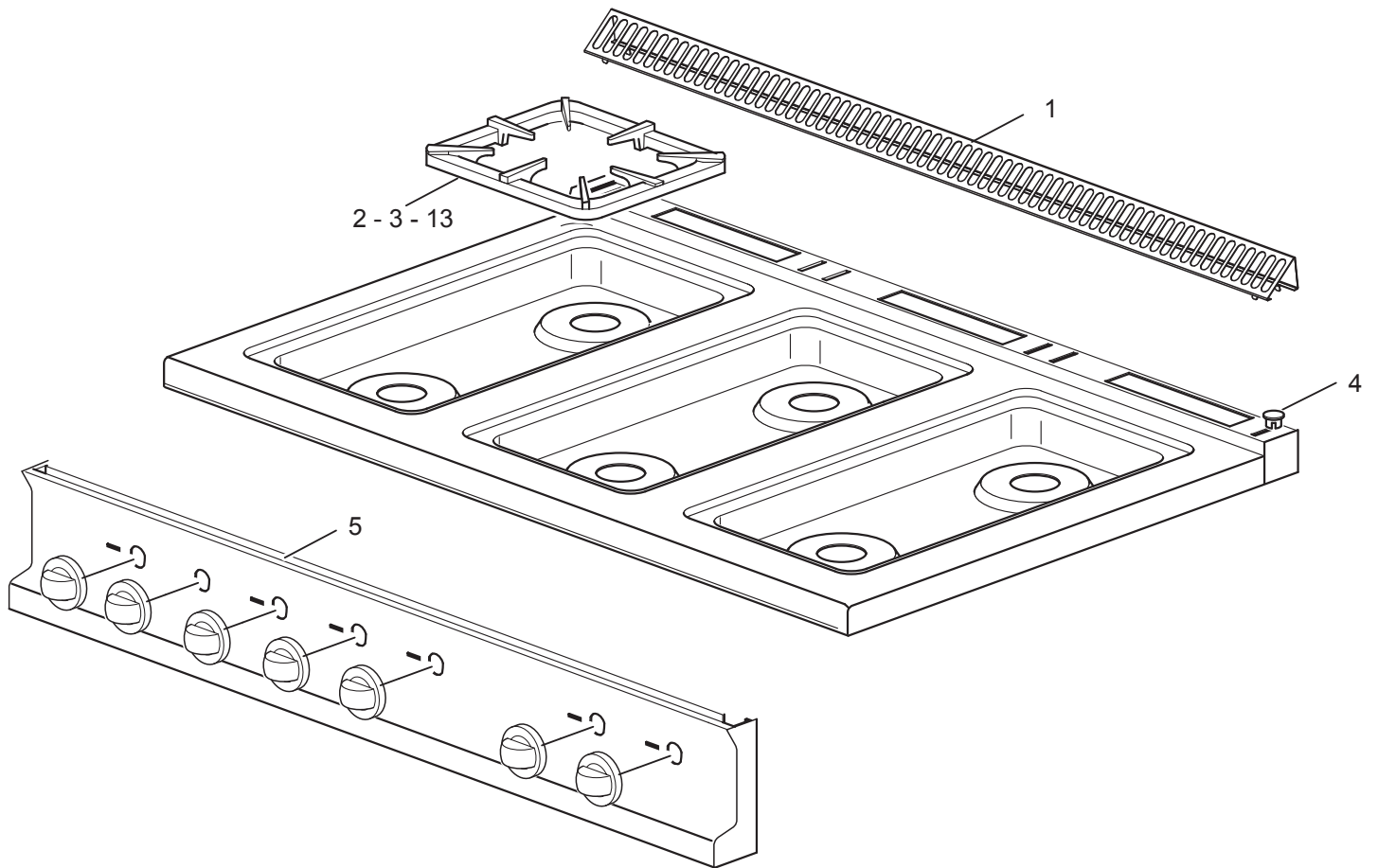
Le informazioni sono considerate non vincolanti. Le immagini rappresentate sono puramente indicative. Il produttore si riserva il diritto di apportare modifiche in qualsiasi momento senza preavviso.

Les informations données ne sont pas contraignantes. Les images montrées sont à titre indicatif. Le producteur se réserve le droit d'apporter des modifications sans préavis.

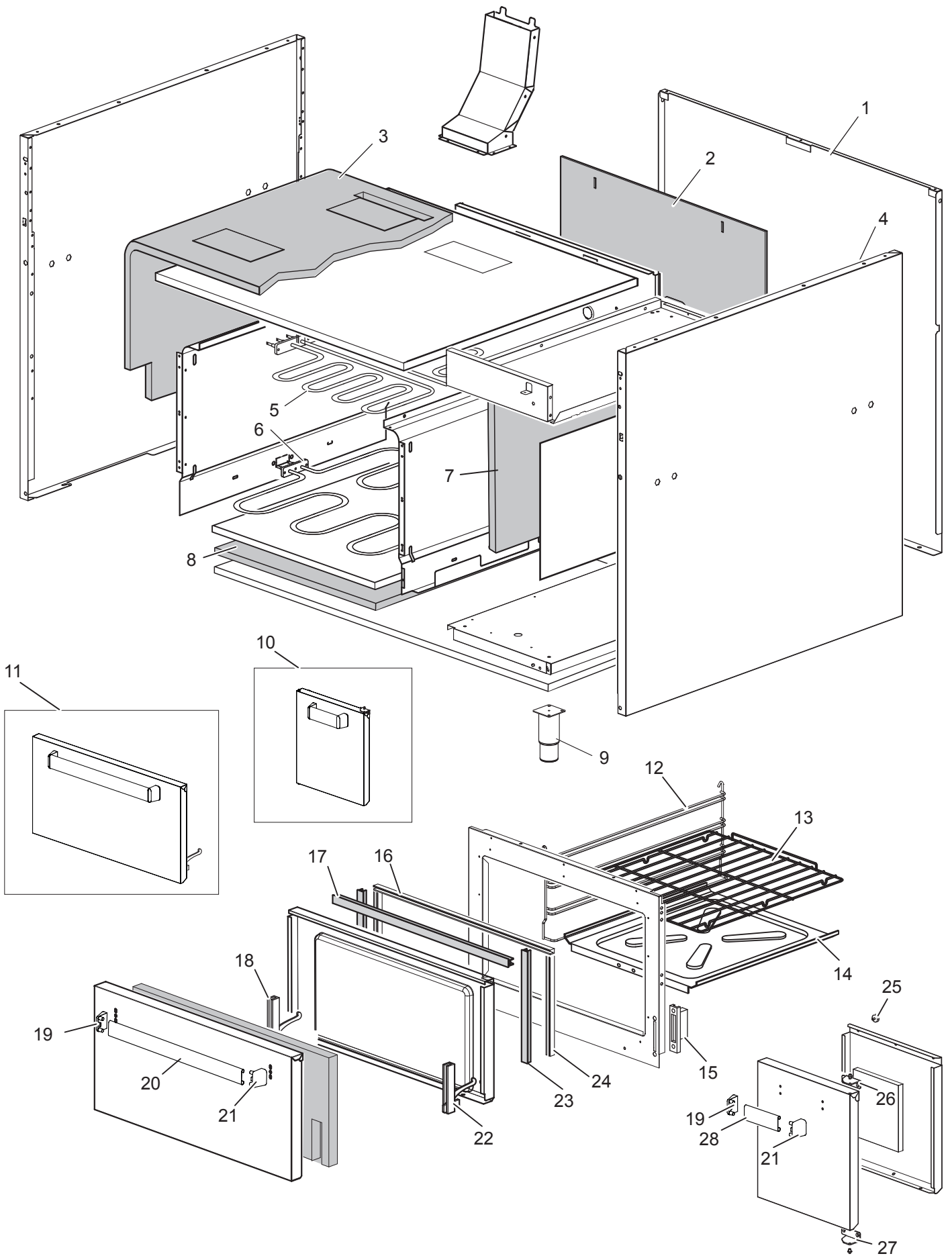
Die im vorliegenden Dokument aufgeführten Informationen und Bilder sind unverbindlich. Der Hersteller behält sich das Recht vor, jederzeit ohne vorherige Ankündigung Änderungen vorzunehmen

Info and drawing could be slightly different from reality and they cannot be considered as compelling. Manufacturer can modify info anytime without forewarning.

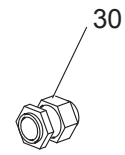
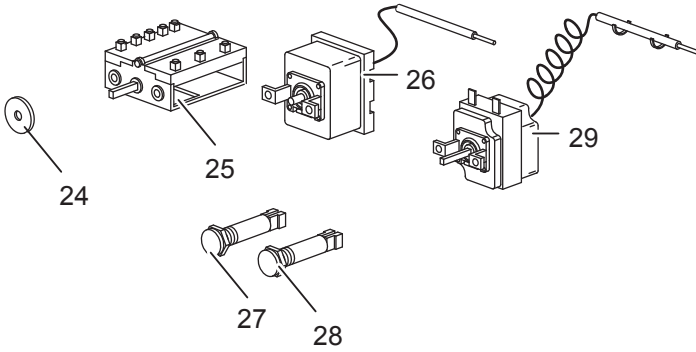
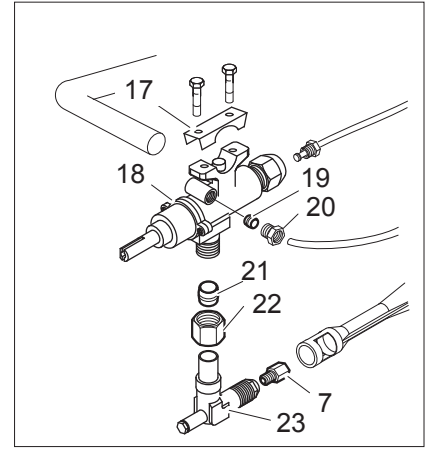
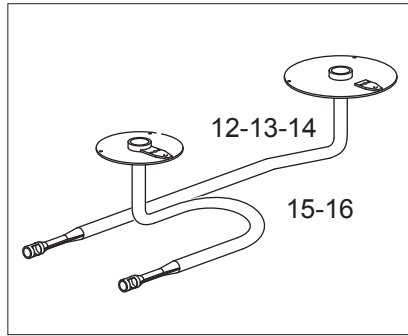
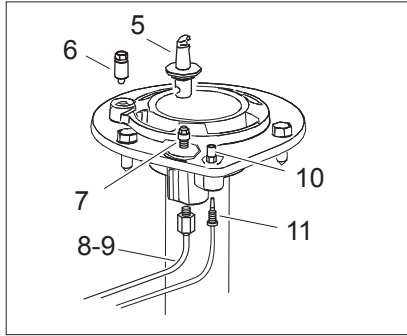
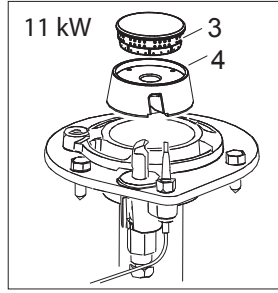
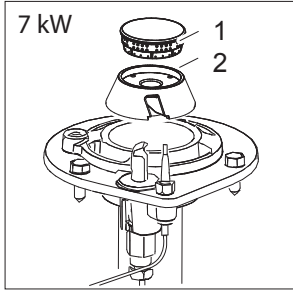
As Informações e desenhos podem estar um pouco diferente da realidade e são puramente indicativas. O fabricante pode modificar estas informações a qualquer momento sem aviso prévio.



Nr.	Code	Title	Recommended
1.	184978	CHIMNEY GRILL	
2.	185746	SINGLE CAST IRON GRID	
3.	186468	STAINLESS STEEL GRID	
4.	163603	TOP CONNECTION	
5.	180346	CONTROL PANEL	
6.	176318	CLIPS	✓
7.	171439	NUT	✓
9.	171437	BURNER KNOB	✓
10.	171436	COMMUTATOR KNOB	✓
11.	174332	KNOB RING	✓
12.	174238	OVEN RING	✓
13.	RTCU700274	SINGLE CAST IRON GRID	



Nr.	Code	Title	Recommended
1.	167414	<i>BACK SIDE</i>	
2.	167386	<i>INSULATING PANEL</i>	
3.	166251	<i>INSULATING PANEL</i>	
4.	173523	<i>LATERAL SIDE</i>	
5.	167380	<i>GRILL HEATING ELEMENT 1,5KW</i>	✓
6.	167379	<i>OVEN HEATING ELEMENT 3,8KW G4SFE77</i>	✓
7.	166252	<i>INSULATING PANEL</i>	
8.	RTCU700445	<i>INSULATING PANEL</i>	
9.	RTCU700277	<i>FOOT</i>	
10.	RIC0004738	<i>CABINET DOOR COMPLETE</i>	
11.	RIC0004732	<i>OVEN DOOR COMPLETE</i>	
12.	167223	<i>OVEN'S LATERAL GUIDES</i>	
13.	RTCU700341	<i>OVEN GRATE</i>	
14.	167218	<i>OVEN PLATE</i>	
15.	RTCU900004	<i>SUPPORT FOR OVEN HINGE</i>	✓
16.	184110	<i>GASKET HOLDER</i>	
17.	164738	<i>GASKET</i>	✓
18.	RTCU900027	<i>LEFT HINGE DOOR</i>	✓
20.	160738	<i>HANDLE</i>	
22.	RTCU900026	<i>RIGHT HINGE DOOR</i>	✓
23.	163888	<i>LATERAL GASKET FOR OVEN DOOR</i>	✓
24.	184105	<i>GASKET HOLDER</i>	
25.	181529	<i>DOOR MAGNET</i>	
26.	176894	<i>LEFT HINGE DOOR</i>	
27.	176895	<i>RIGHT HINGE DOOR</i>	
28.	160739	<i>HANDLE</i>	



Nr.	Code	Title	Recommended
1.	185734	BURNER CAP 7000 KCAL	✓
2.	185726	BURNER 7KW	✓
5.	185732	PILOT BURNER FLEX 2.0	✓
7.	INIETTORE	SEE HANDBOOK NOZZLES	
8.	173386	FRONT BURNER PILOT PIPE	
9.	173387	BACK BURNER PILOT PIPE	
10.	RTCU700391	NUT	
11.	RTCU700374	THERMOCOUPLE	✓
12.	185740	BACK BURNER DISTRIBUTION PIPE	
15.	185738	FRONT BURNER DISTRIBUTION PIPE	
17.	167184	SAFETY VALVE BRIDLE	✓
18.	167997	SAFETY VALVE	✓
19.	RTCU900018	BICONE D.6	✓
20.	RTCU900019	NUT D.6	✓
21.	RTCU900012	BICONE D.10	✓
22.	RTCU700297	NUT D.10	✓
23.	173320	INJECTOR SUPPORT TOP G4SF77	
24.	RTCU800185	GASKET FOR COMMUTATOR ROD	✓
25.	167516	COMMUTATOR	✓
26.	RTCU800152	SAFETY THERMOSTAT	✓
27.	166465	GREEN WARNING LIGHT	✓
28.	166466	ORANGE LAMP LIGHT	✓
29.	RTCU600067	WORKING THERMOSTAT	✓
30.	RTBF800138	CHOCK PG21	
31.	KFB70S	COMPLETE ENAMELLED BURNER KIT 7KW	
33.	KFB11S	COMPLETE ENAMELLED BURNER KIT 11KW	