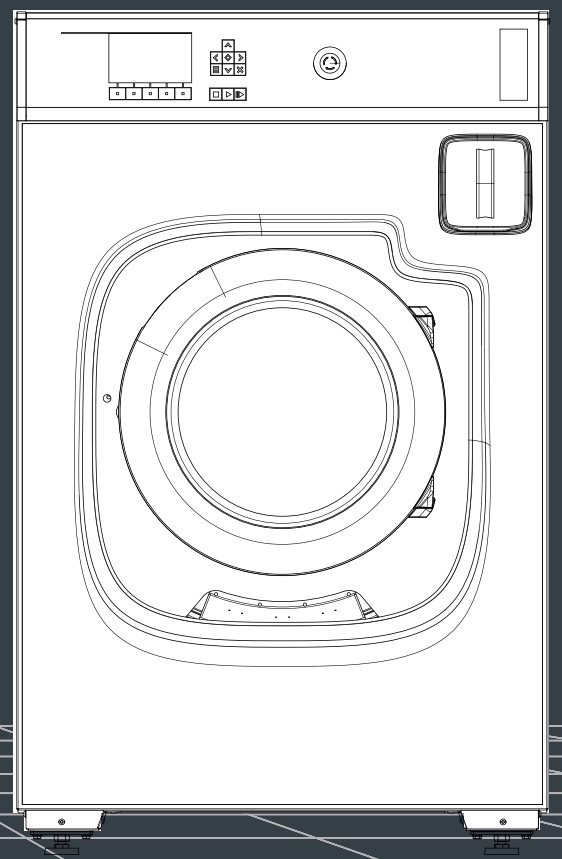


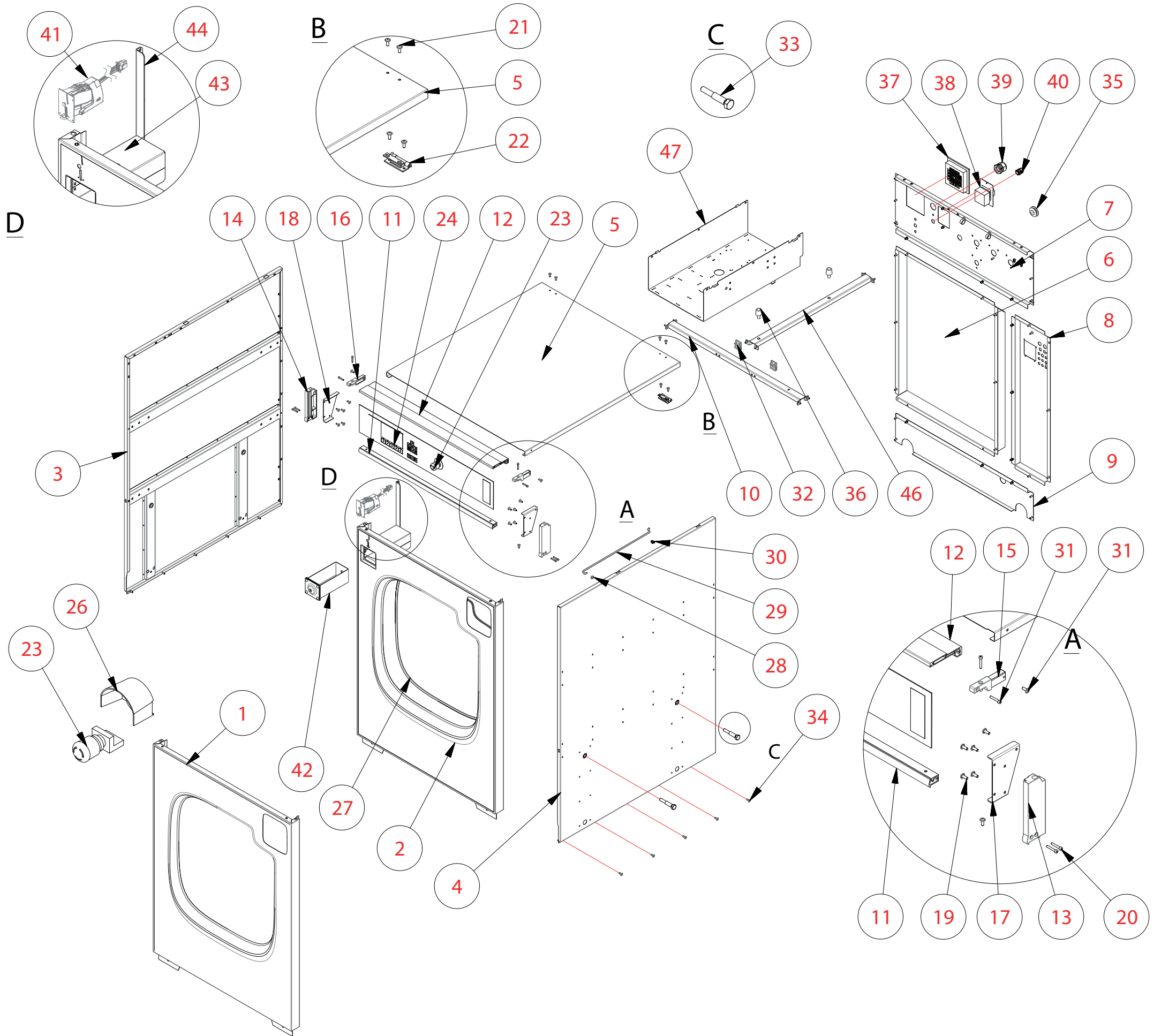
TOLON

Spare Parts List



TWE24
TWE28

WE24 - WE28 PANELS

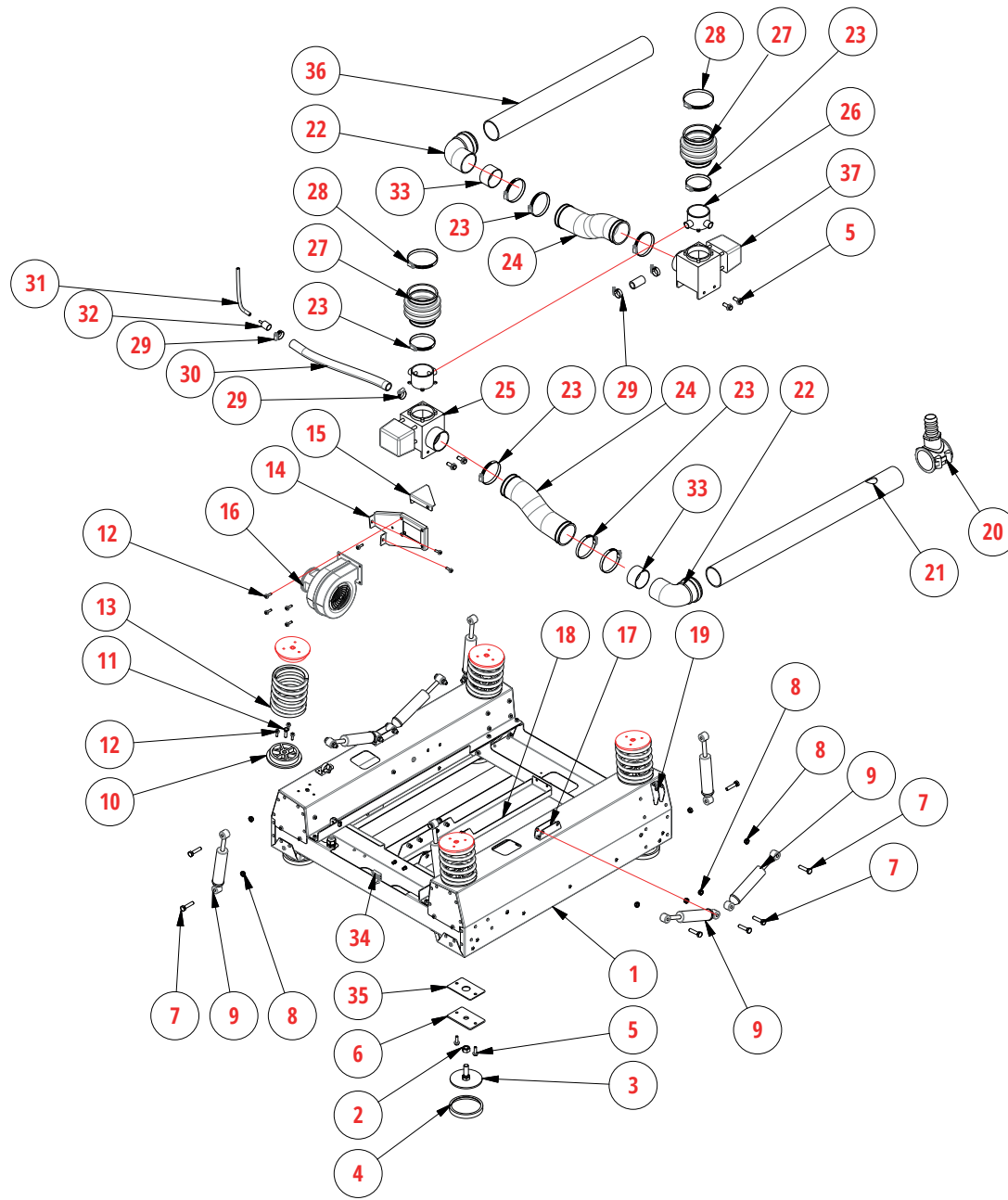


WE24 - WE28 PANELS

Item	Part Number	Description	RSP	Item	Part Number	Description	RSP
1	TY01881	Front Panel (Stainless) WE24-WE28		34	TH0510020098	Green Rubber Stopper	
2	TY01898	Panel Front (Stainless) (Coin) WE24-WE28					
3-1	TY02508	Panel Right Side (Painted) WE28		35	TH0510020078	Rubber Stopper	
3-2	TY01878	Panel Right Side (Painted) WE24		36	TH0370020007	Top Panel Wedge WE10-WE15-WE18-WE24-WE28-WE40	
3-3	TY02222	Panel Right Side (Stainless) WE28		37	TH0250510001	12x12 Fan Filter Cover	
3-4	TY01899	Panel Right Side (Stainless) WE24		38	TH0250070045	Paco Switch Kg64b T204/01e 4 WE24-WE28-WE40	
4-1	TY02509	Panel Left Side (Painted) WE28		39	TH0250110005	Cable Holder Pg29	
4-2	TY01879	Panel Left Side (Painted) WE24		40	TH0250110002	Cable Holder 13,5mm (Plastic)	
4-3	TY02223	Panel Left Side (Stainless) WE28		41-1	TH0370010056	Mechanical Coin Meter 0,25 Us Dollar	
4-4	TY01900	Panel Left Side (Stainless) WE24		41-2	TH0370010081	Mechanical Coin Meter 0,25 + 1 Us Dollar	
5-1	TY02510	Panel Top (Painted) WE28		41-3	TY01121	Electronic Coin Meter For Euro	
5-2	TY01880	Panel Top (Painted) WE24		41-4	TY01122	Electronic Coin Meter For British Pound	
6-1	TY01695	Panel Rear Right (Painted) WE24-WE28		41-5	TY01123	Electronic Coin Meter For Us And Canadian Dollar	
6-2	TY01745	Panel Rear Right (Stainless) WE24-WE28		41-6	T00007290	Electronic coin meter for Turkish Lira	
7-1	TY01696	Panel Rear Top (Stainless) WE24-WE28		42	TH0370010057	Coin Box WE	
7-2	TY01746	Panel Rear Top (Stainless) WE24-WE28		43	TSY00541	Coin Tank (Complete) WE	
8-1	TY01699	Panel Rear Left (Painted) WE24-WE28		44	TY01907	Coin case Support Plate WE10-WE15-WE18	
8-2	TY01747	Panel Rear Left (Stainless) WE24-WE28		46-1	TY02180	Electrical Assembly Plate WE28	
9-1	TY01700	Panel Rear Bottom (Painted) WE24-WE28		46-2	TY01680	Electrical Assembly Plate WE24	
9-2	TY01748	Panel Rear Bottom (Stainless) WE24-WE28		47	TY06178	Electrical Assembly Plate WE24-WE28-WE40	
10	TY01679	Detergent Box Connection Guide WE24-WE28					
11-1	TY01812	Front Panel Lower Fixing Profile (Tolon Paint) WE24-WE28					
11-2	TY01810	Front Panel Lower Fixing Profile (Jensen Paint) WE24-WE28					
12	TY01814	Front Panel Top Fixing Profile WE24-WE28					
13	TH0470130027	Top Panel Fixing Plate Left Side (Big) WE10-WE15-WE18-WE24-WE28					
14	TH0470130025	Top Panel Fixing Plate Right Side (Big) WE10-WE15-WE18-WE24-WE28					
15	TH0470130028	Top Panel Fixing Plate Left Side (Small) WE10-WE15-WE18-WE24-WE28					
16	TH0470130026	Top Panel Fixing Plate Right Side (Small) WE10-WE15-WE18-WE24-WE28					
17	TY17185	Front Panel Left Panel Connection Plate WE10-WE15-WE18-WE24-WE28					
18	TY17113	Front Panel Right Panel Connection Plate WE10-WE15-WE18-WE24-WE28					
19	TH0080220024	Mbolt M6x10					
20	TH0080050043	Bolt M5x30 Inbus					
21	TH0080220026	Bolt M6x16					
22	TH0360030024	Hinge Panel WE20-WE40					
23	TH0250150017	Emergency Stop Button	X				
24-1	TH0260400236	TWE3 Controller (with Ethernet) + Panel WE24-WE28	X				
24-2	TH0260400235	TWE3 Controller (with Ethernet) + Panel (For Coin Market) WE24-WE28	X				
26	TH0250150047	Emergency Stop Button Protection Cover					
27	TH0360520031	U Type Rubber Cover Front Panel					
28	TH0360520019	Top Cover Holder Arm Tire WE10-WE15-WE18-WE24-WE28-WE40					
29	TH0090010088	Top Panel Holder (Stick) WE15-WE24-WE28-WE40					
30	TH0250090133	Cable Holder With Plug					
31	TH0080060336	Bolt M5x30 Inbus Chrome					
32	TH0360520045	Cable Organiser					
33	TY06046	Transport Safety Screw M16X90 WE24-WE28-WE40					

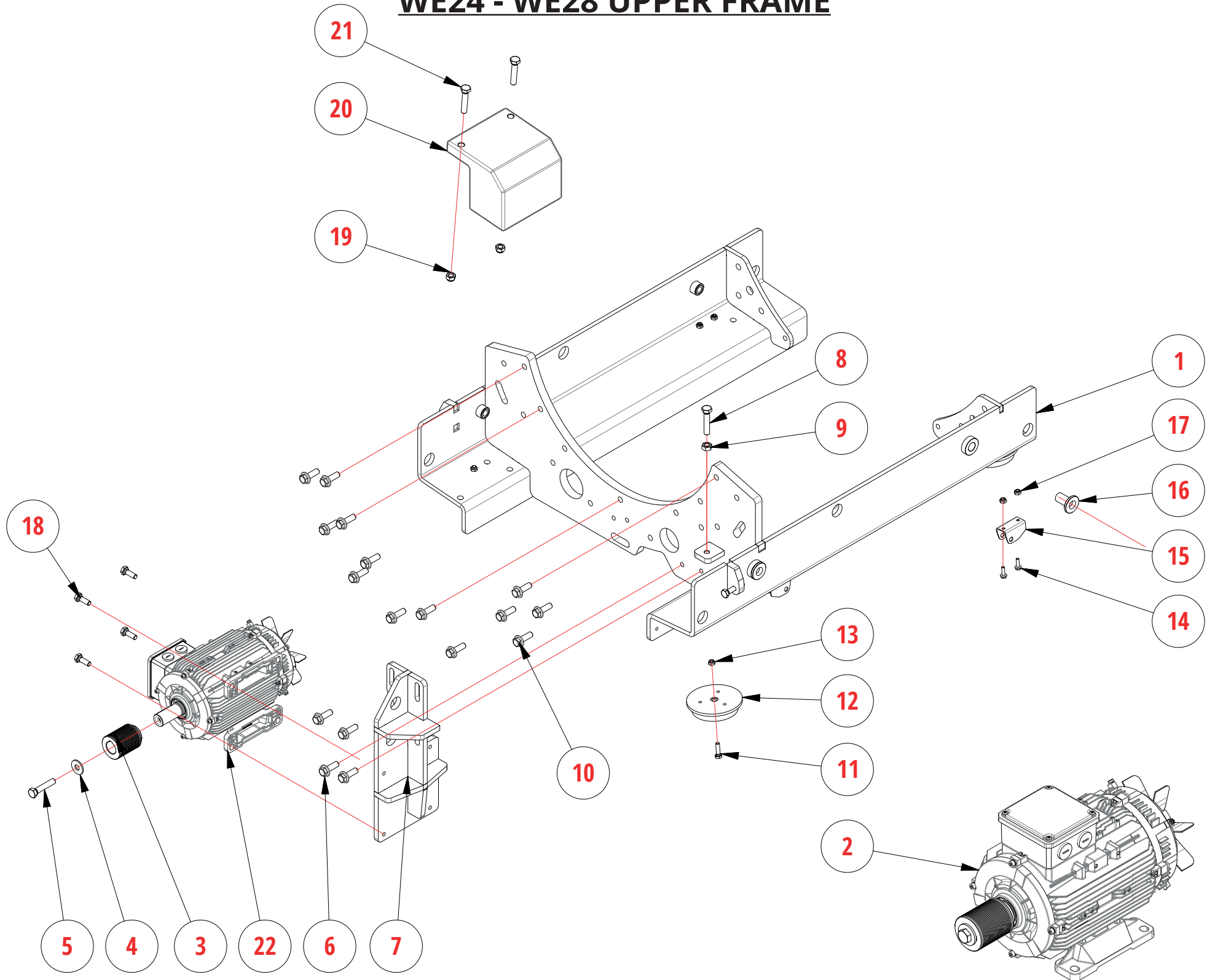
RSP: Recommended Spare Part

WE24 - WE28 BOTTOM FRAME & SUSPENSION



Item	Part Number	Description	RSP	Item	Part Number	Description	RSP
1-1	TY02502	Bottom Frame Plate (Painted) WE28		20	TH0030150025	Plastic Hose Union	
1-2	TY01866	Bottom Frame Plate (Painted) WE24		21-1	TH0020060053	PVC Drain Hose L:885mm WE28	
2	TH0080070008	Nut M16		21-2	TH0020060056	PVC Drain Hose L:885mm WE24	
3	TY00081	Adjustable Feet WE20-WE24-WE28-WE40		22	TH0020060018	Elbow D:75mm WE10-WE15-WE18-WE24-WE28-WE40	
4	TH0360520006	Foot Rubber WE20-WE24-WE28WE40		23	TH0100010045	Hose Clamp 70x90	
5	TH0080030020	Bolt M8x20		24	TH0130020078	Drain Hose	X
6	TY06610	Feet Support Bolt WE24-WE28		25	TH0370030019	Drain Valve 3" NO 230V (Main Drain) WE10-WE15-WE18-WE20-WE24-WE28-WE40	X
7	TH0080040013	Bolt M10x50		26	TH0510020130	Drain Valve Adaptor WE10-WE15-WE18-WE24-WE28-WE40	
8	TH0080070037	Nut M10 Fiber		27	TH0130080023	Hose Drain Top 3" WE10-WE15-WE18-WE24-WE28-WE40	
9	TH0120010019	Shock Absorber WE24-WE28-WE40	X	28	TH0100010049	Hose Clamp 80x100	
10	TH0990990071	Spring Holder Plastic WE10-WE15-WE18-WE24-WE28-WE40		29	TH0100010048	Hose Clamp 20x32	
11	TH0080030020	Bolt M8x20		30	TH0130020089	Level Hose Silicone WE24-WE28	
12	TH0080050002	Bolt M6x16 Inbus		31	TY00169	Level Hose Silicone WE10-WE15-WE18-WE20-WE24-WE28-WE40	
13	TH0090010172	Spring Compression 12mm WE24-WE28		32	TH0510020135	Level Hose Reduction WE10-WE15-WE18-WE24-WE28-WE40	
14	TY01703	Motor Cooling Fan Connection Plate WE24-WE28		33	TY17240	Drain Elbow Support Pipe WE10-15-18-24-28-40 *	
15	TY06204	Motor Cooling Fan Connection Support Plate WE24-WE28WE40		34	TH0360520041	Cable Holder	
16	TH0200060113	Cooling Fan Motor WE24-WE28-WE40-WE60-WE110		35	TY06011	Spacer WE24-WE28-WE40	
17	TY06189	Shock Absorber Mounting Plate Double WE24-WE28-WE40		36-1	TH0020060054	PVC Drain Pipe Recycle WE28	
18-1	TY02006	Bottom Frame Drain Connection Plate WE28		36-2	TH0020060057	PVC Drain Pipe RecycleWE24	
18-2	TY01506	Bottom Frame Drain Connection Plate WE24		37	TH0370030023	Drain Valve 3" 230V NC Open at Side (Recyle Drain) WE24-WE28-WE40	X
19	TY06027	Shock Absorber Mounting Plate Single WE24-WE28-WE40					

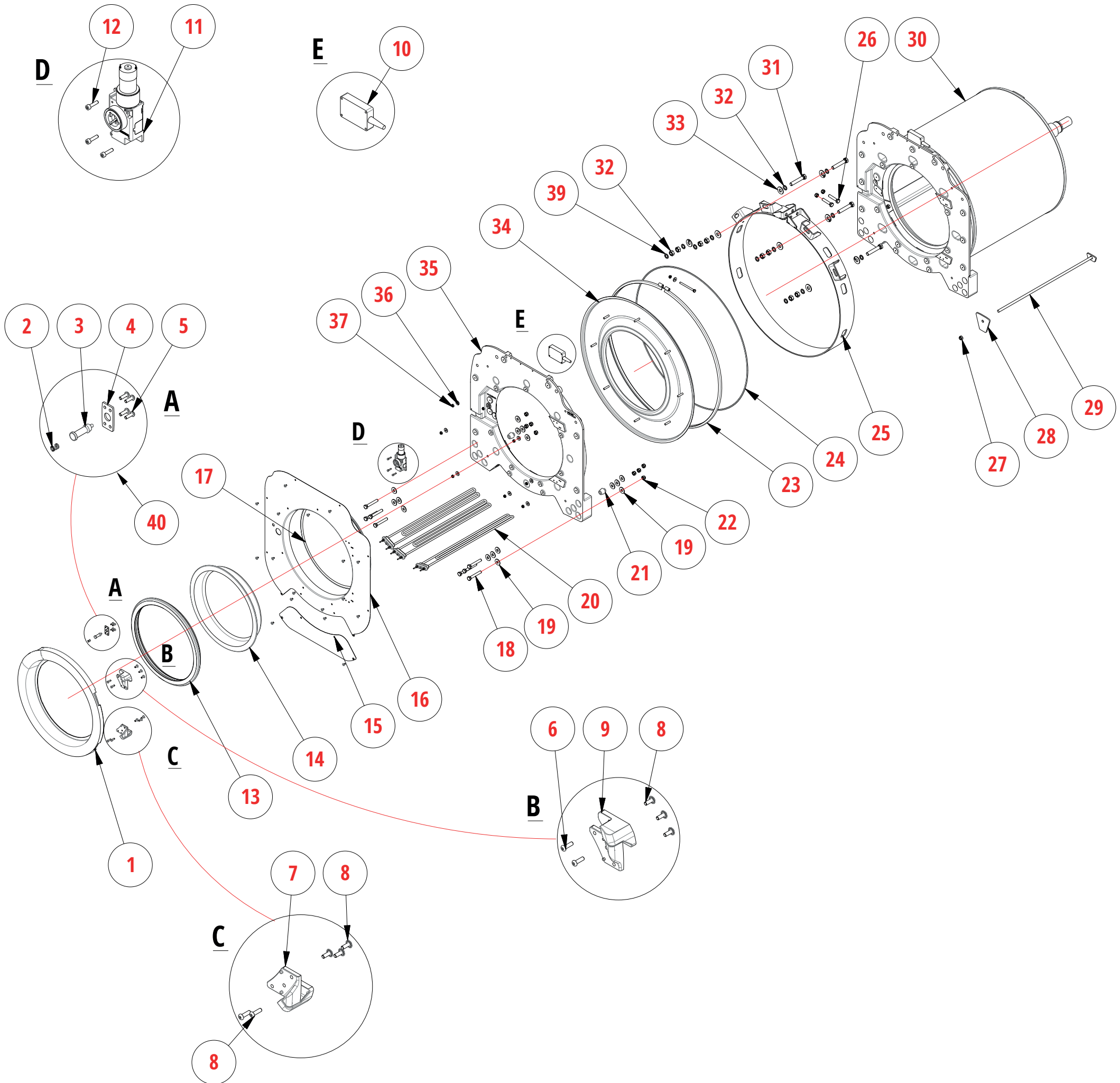
RSP: Recommended Spare Part

WE24 - WE28 UPPER FRAME

Item	Part Number	Description	RSP
1-1	TY02503	Upper Frame (Painted) WE28	
1-2	TY01867	Upper Frame (Painted) WE24	
2-1	TSY00510	Motor + Pulley WE24-WE28	X
2-2	TSY00527	Motor (UL) (USA) + Pulley WE24-WE28	X
3	TY01805	Motor Pulley (Coated) WE24-WE28	
4	TY05178	Washer Motor Pulley WE40	
5	TH0080040013	Bolt M10x50	
6	TH0080030033	Bolt M12x45	
7	TY01890	Motor Connection Plate WE24-WE28	
8	TH0080030058	Bolt M12x90	
9	TH0080070012	Nut M12	
10	TH0080220013	Bolt M12x30 Flanged	
11	TH0080030020	Bolt M8x20	
12	TH0990990071	Spring Holder Plastic WE10-WE15-WE18-WE24-WE28-WE40	
13	TH0080070033	Nut M8 Fiber	
14	TH0080050003	Bolt M6x20 Inbus	
15	TY06197	Shock Absorber Mounting Plate Single WE24-WE28-WE40	
16	TY06139	Transport Safety Bolt WE24-WE28-WE40	
17	TH0080070036	Nut M6 Fiber	
18	TH0080030031	Bolt M10x30	
19	TH0080070031	Nut M12 Fiber	
20	TH0470010030	Motor Counterweight WE24-WE28	
21	TH0080040089	Bolt M12x70	
22-1	TH0200020220	Motor 4kW WE24-WE28	
22-2	TH0200020229	Motor 4kW (thermistor)(UL) WE24-WE28	

RSP: Recommended Spare Part

WE24 - WE28 INNER DRUM & DOOR ASSEMBLY

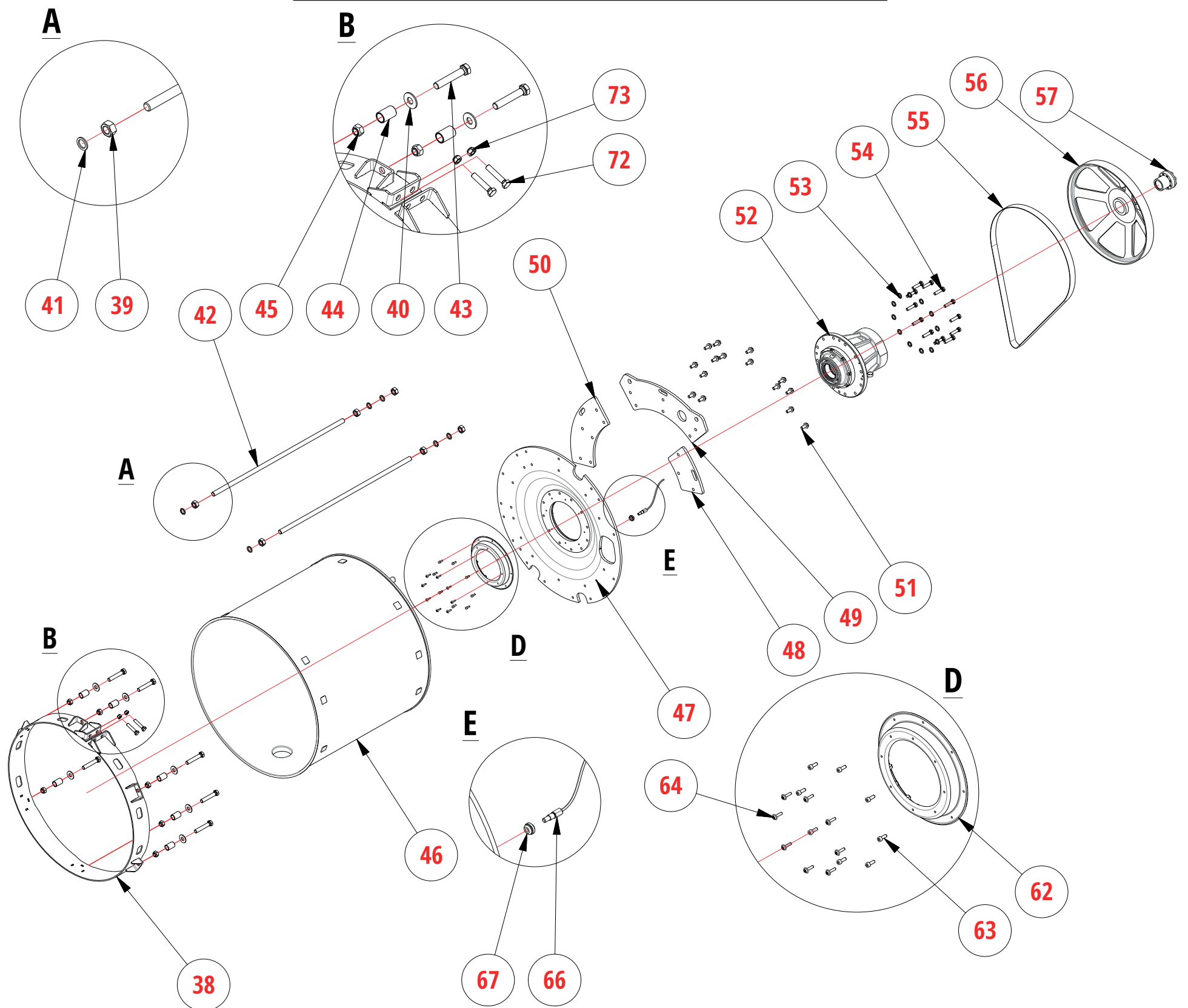


WE24 - WE28 INNER DRUM & DOOR ASSEMBLY

Item	Part Number	Description	RSP	Item	Part Number	Description	RSP
1	TY00312	Loading Door WE10-WE15-WE18-WE20-WE24-WE28-WE40		40	TSY00528	Loading Door Lock New Pin Kit WE10-WE15-WE18-WE20-WE24-WE28	X
2	TH0090010177	Spring for Meteor Door Lock WE10-WE15-WE18-WE20-WE24-WE28-WE40					
3	TY01647	Loading Door Lock Pin WE10-WE15-WE18-WE20-WE24-WE28-WE40					
4	TY01694	Loading Door Lock Pin Holder Plate WE10-WE15-WE18-WE20-WE24-WE28-WE40					
5	TH0080050164	Bolt M5x10 Inbus Chrome					
6	TH0080050131	Bolt M6x20 Inbus (Stainless)					
7/9	TSY00600	Loading Door Hinge Alignment Kit TWE 10-15-18-24-28	X				
8	TH0080050130	Bolt M6x16 Inbus (Stainless)					
10	TH0370010020	Balance Reader BR-01 WE20/40	X				
11	TH0360020003	Meteor Door Lock WE10-WE15-WE18-WE20-WE24-WE28-WE40	X				
12	TH0080050037	Bolt M5x10 Inbus					
13	TH0320010032	Loading Door Seal WE10-WE15-WE18-WE20-WE24-WE28-WE40	X				
14	TH0310020022	Loading Door Glass WE10-WE15-WE18-WE20-WE24-WE28-WE40	X				
15	TY01692	Electric Heating Element Cover WE24-WE28					
16-1	TY01876	Front Panel (Stainless) WE24-WE28					
16-2	TY01877	Front Panel (Stainless) (Coin) WE24-WE28					
17	TH0320030124	Outer Drum Front Plate Seal WE10-WE15-WE18-WE24-WE28-WE40					
18	TH0080040040	Bolt M12x90					
19	TH0080090004	Washer 1/2" Thick					
20-1	TH0210010035	Heating Element M type 700mm 08kW WE28	X				
20-2	TH0210010036	Heating Element M type 650mm 07kW WE24	X				
21	TY01720	Centering Pin WE24-WE28					
22	TH0080070031	Nut M12 Fiber					
23	TY01862	Outer Drum Front Clamping Ring WE24-WE28					
24	TH0320030123	Clamping Ring Seal					
25	TY01863	Outer Drum Front Connection Ring (Painted) WE24-WE28					
26	TH0080150003	Bolt M12x80					
27	TH0080080004	Nut M12 Stainless					
28	T00007680	Drum Support Plate					
29-1	TY02506	Inner Drum Support Rod WE28					
29-2	TY01872	Inner Drum Support Rod WE28					
30-1	TY02221	Inner Drum WE28					
30-2	TY01858	Inner Drum WE24					
31	TH0080030128	Bolt M16x100					
32	TH0080090005	Washer 5/8" Thick					
33	TH0080090043	Washer Spring Type 5/8"					
34-1	TY01861	Drum Front Outer Plate WE24-WE28					
34-2	TY01901	Drum Front Outer Plate (Coin) WE24-WE28					
35	TY01853	Outer Drum Front Plate (Painted) WE24-WE28					
36	TH0080090002	Washer 5/16" Thick					
37	TH0080070033	Nut M8 Fiber					
39	TH0080070008	Nut M16					

RSP: Recommended Spare Part

WE24 - WE28 OUTER DRUM ASSEMBLY

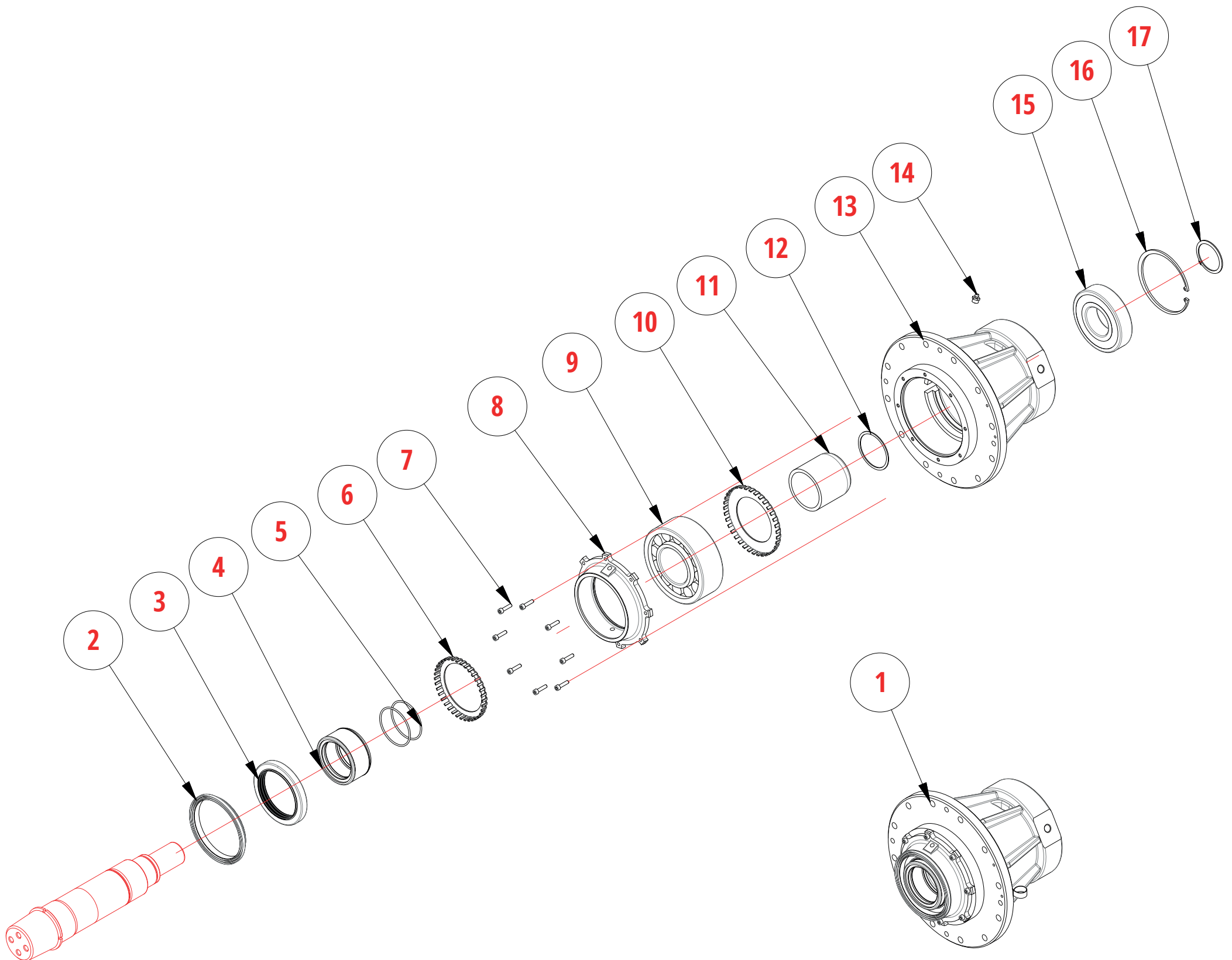


Item	Part Number	Description	RSP
38	TY01859	Outer Drum Rear Connection Ring (Painted) WE24-WE28	
39	TH0080070008	Nut M16	
40	TH0080090005	Washer 5/8" Thick	
41	TH0080090043	Washer Spring Type 5/8"	
42-1	TH0370010064	Upper Tension Rod WE28	
42-2	TH0370010063	Upper Tension Rod WE24	
43	TH0080030128	Bolt M16x100	
44	TY06590	OUTER DRUM REAR ENVIRONMENT CIRCLE BUSHING WE24-28-40	
45	TH0080070042	Nut M16 Fiber	
46-1	TY02220	Outer Drum WE28	
46-2	TY01857	Outer Drum WE24	
46-3	TY02224	Outer Drum (Coin) WE28	
46-4	TY01908	Outer Drum (Coin) WE24	
47	TY01620	Outer Drum	
48	TY01726	Outer Drum Back Plate Connection Plate-2 (Painted) WE24-WE28	
49	TY01727	Outer Drum Back Plate Connection Plate-3 (Painted) WE24-WE28	
50	TY01728	Outer Drum Back Plate Connection Plate-4 (Painted) WE24-WE28	

Item	Part Number	Description	RSP
51	TH0080220006	Bolt M12x25 Flanged	
52	TY01860	Bearing house (complete) WE24-WE28	
53	TH0080090042	Washer With Lock M12	
54	TH0080040079	Bolt M12x50	
55	TH0160010163	Belt WE20-WE24-WE28	X
56	TH0150020021	Pulley Drum WE20-WE24-WE28	
57	TH0300020023	Pulley Shaft Lock WE24-WE28	
62	TH0510020128	Outer Drum Support Plate WE24-WE28	
63	TH0080220002	Bolt M6x16 Flanged	
64	TH0080060338	Bolt M6x20 Inbus Chrome	
66	TH0260420011	Temperature Sensor WE10-WE15-WE15-WE18-WE20-WE24-WE28-WE40	X
67	TH0320010014	Temperature Sensor Connection EPDM WE10-WE15-WE18-WE24-WE28-WE20WE40	X

RSP: Recommended Spare Part

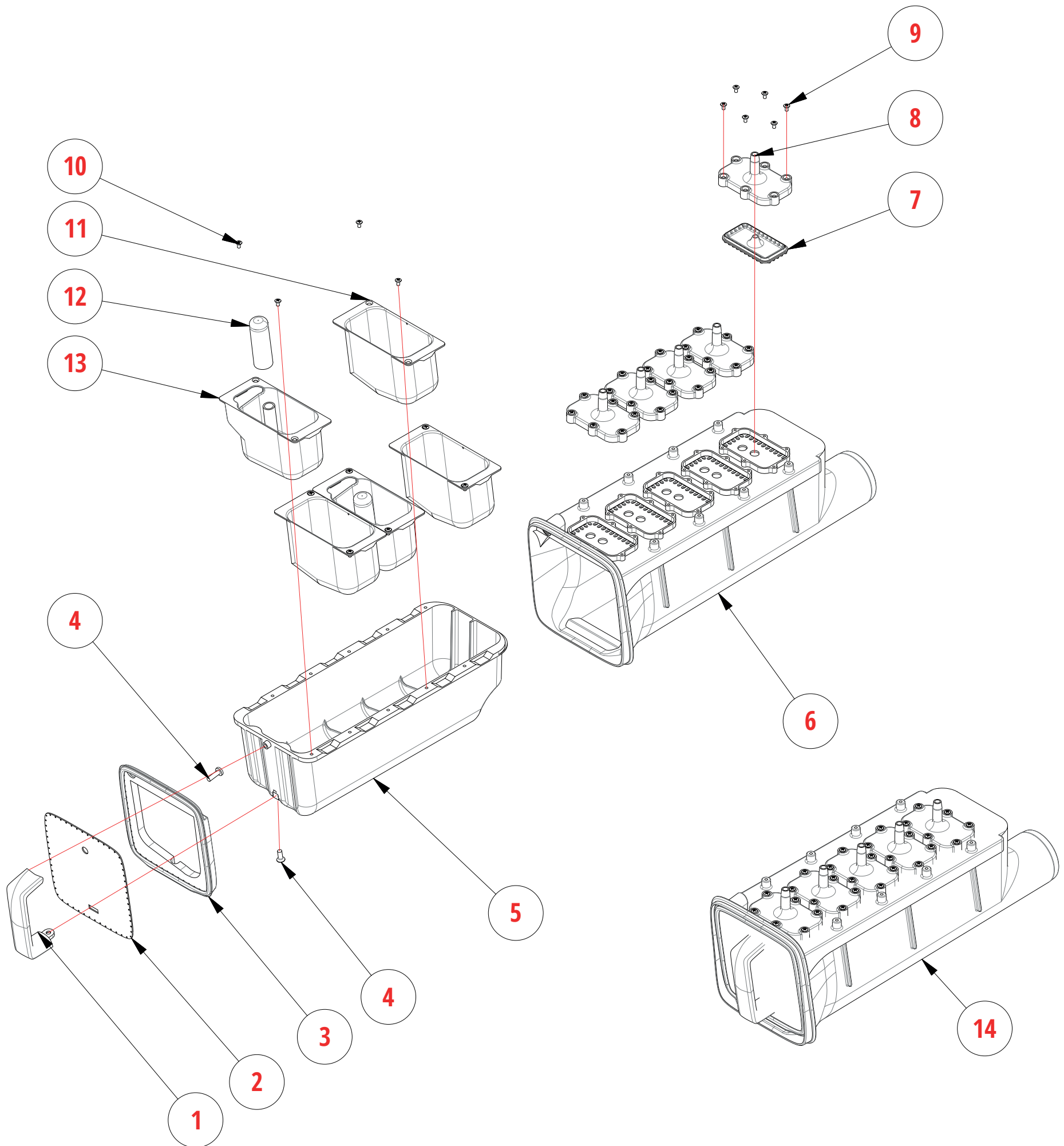
WE24 - WE28 BEARING HOUSE ASSEMBLY



Item	Part Number	Description	RSP
1	TY01860	Bearing house (complete) WE24-WE28	
2	TH0140010117	Seal 123,5X130X144X9/15,5 WE20-WE24-WE28	
3	TH0140010141	Seal 100x130x15 WE20-WE24-WE28	
4	TH0020020138	Seal Working Surface Ring Ceramic WE20-WE24-WE28	
5	TH0320040031	O-Ring 77x3 WE20-WE24-WE28	
6	TY01869	Front Bearing Grease Holder Front WE24-WE28	
7	TH0080050036	Bolt M6x25 Inbus	
8	TY02511	Seal Working Surface Ring WE24-WE28	
9	TH0230020080	Front Bearing WE24-WE28	
10	TY00093	Grease Holder WE20-WE24-WE28	
11	TH0510020120	Spacer Aluminium WE20-WE24-WE28	
12	TH0240010048	Retaining Ring Sp 75	
13	TY01892	Bearing House WE24-WE28	
14	TH0290020008	Gease Port 1/2 H1	
15	TH0230010119	Bearing Rear WE20-WE24-WE28	
16	TH0240020014	Retaining Ring 130 Inner	
17	TH0240010010	Retaining Ring 60 Outer	

RSP: Recommended Spare Part

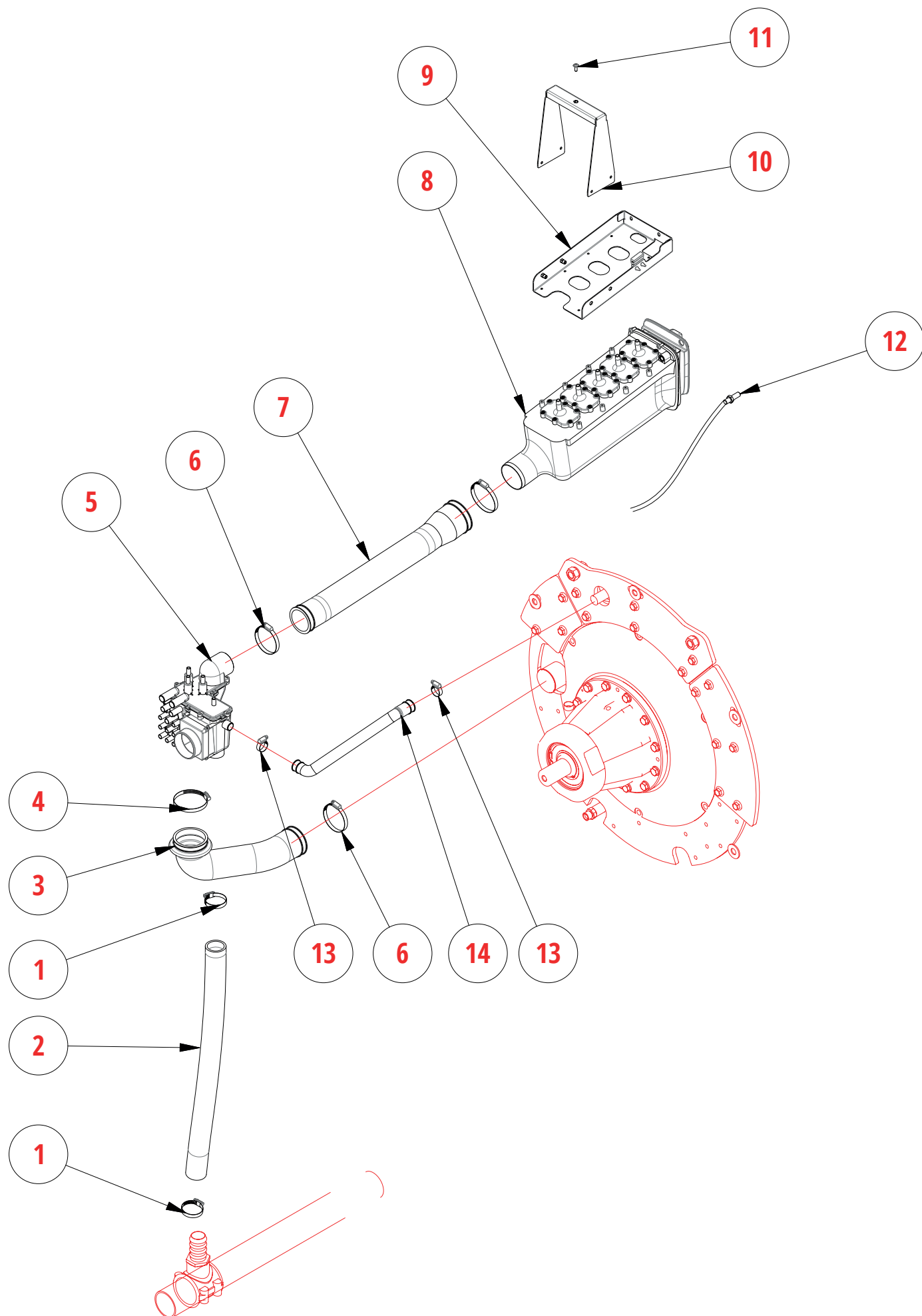
WE24 - WE28 DETERGENT DRAWERS



Item	Part Number	Description	RSP
1	TH0370010038	Detergent Box Handle WE10-WE15-WE18-WE24-WE28	
2	TY17563	Detergent Box Front Cover WE10-WE15-WE18-WE24-WE28	
3	TH0320010034	Detergent Box Seal WE10-WE15-WE18-WE24-WE28	
4	TH0080050141	Bolt M5x16 Inbus Chrome	
5	TH0370010037	Detergent Drawer WE10-WE15-WE18-WE24-WE28	
6	TH0370010033	Detergent Cabinet WE10-WE15-WE18-WE24-WE28	
7	TH0370010048	Detergent Box Flush Seal WE10-WE15-WE18-WE24-WE28	
8	TH0370010032	Detergent Box Flush Cover WE10-WE15-WE18-WE24-WE28	
9	TH0270160001	Bolt M5x12 Chrome	
10	TH0270010059	Plate Screw 3,9X9,5mm Chrome	
11	TH0370010036	Detergent Box (Powder) WE10-WE15-WE18-WE24-WE28	
12	TH0370010034	Detergent Box Flush WE10-WE15-WE18-WE24-WE28	
13	TH0370010035	Detergent Box (Liquid) WE10-WE15-WE18-WE24-WE28	
14	TY17505	Detergent Drawer (Complete) WE10-WE15-WE20-WE24-WE28	X

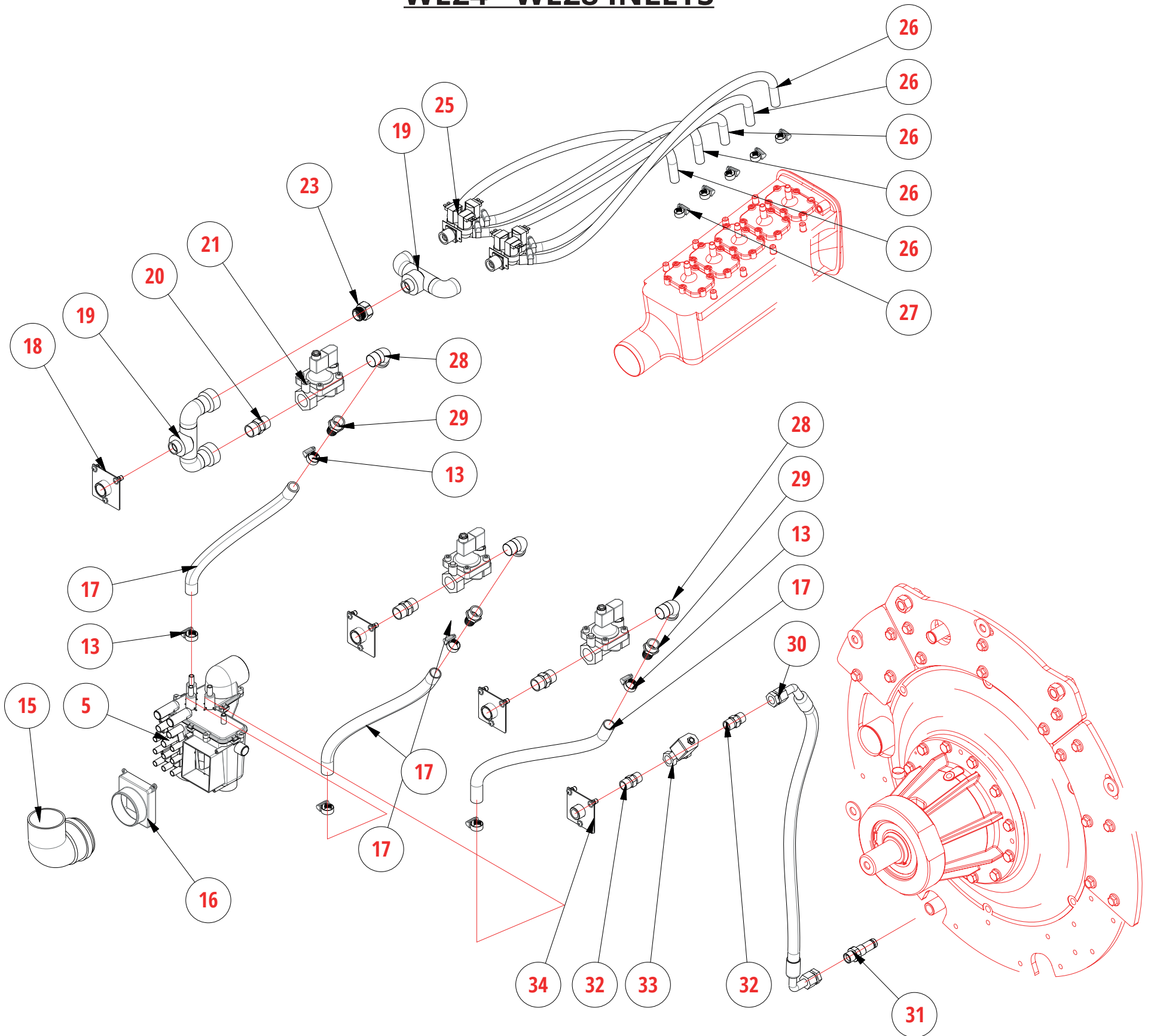
RSP: Recommended Spare Part

WE24 - WE28 HOSES



Item	Part Number	Description	RSP
1	TH0100010043	Hose Clamp 32x50	
2	TH0130020038	Hose Over Flow Ø75 150x700 WE10-WE15-WE20-WE24-WE28-WE40	
3	TH0130020080	Drum Water Inlet Hose WE24-WE28	X
4	TH0100010045	Hose Clamp 70x90	
5	TY00261	Liquid Detergent Inlet and Air Breaker WE10-WE15-WE18-WE20-WE24-WE28-WE40	
6	TH0100010044	Hose Clamp 60x80	
7	TH0130020079	Detergent Drawer Drain Hose WE24-WE28	X
8	TY17505	Detergent Drawer (Complete) WE10-WE15-WE20-WE24-WE28	X
9	TY17101	Detergent Drawer Body Plate WE10-WE15-WE18-WE24-WE28	
10	TY17112	Detergent Connection Plate WE10-WE18-WE24-WE28	
11	TH0080220026	Bolt M6x16	
12	TH0260220075	Detergent Drawer Door Sensor WE10-WE15-WE18 / WE20-WE30-WE40-WE60-WE110	
13	TH0100010006	Clamp 20x30	
14	TH0130020081	Hose Air Breaker WE24-WE28	

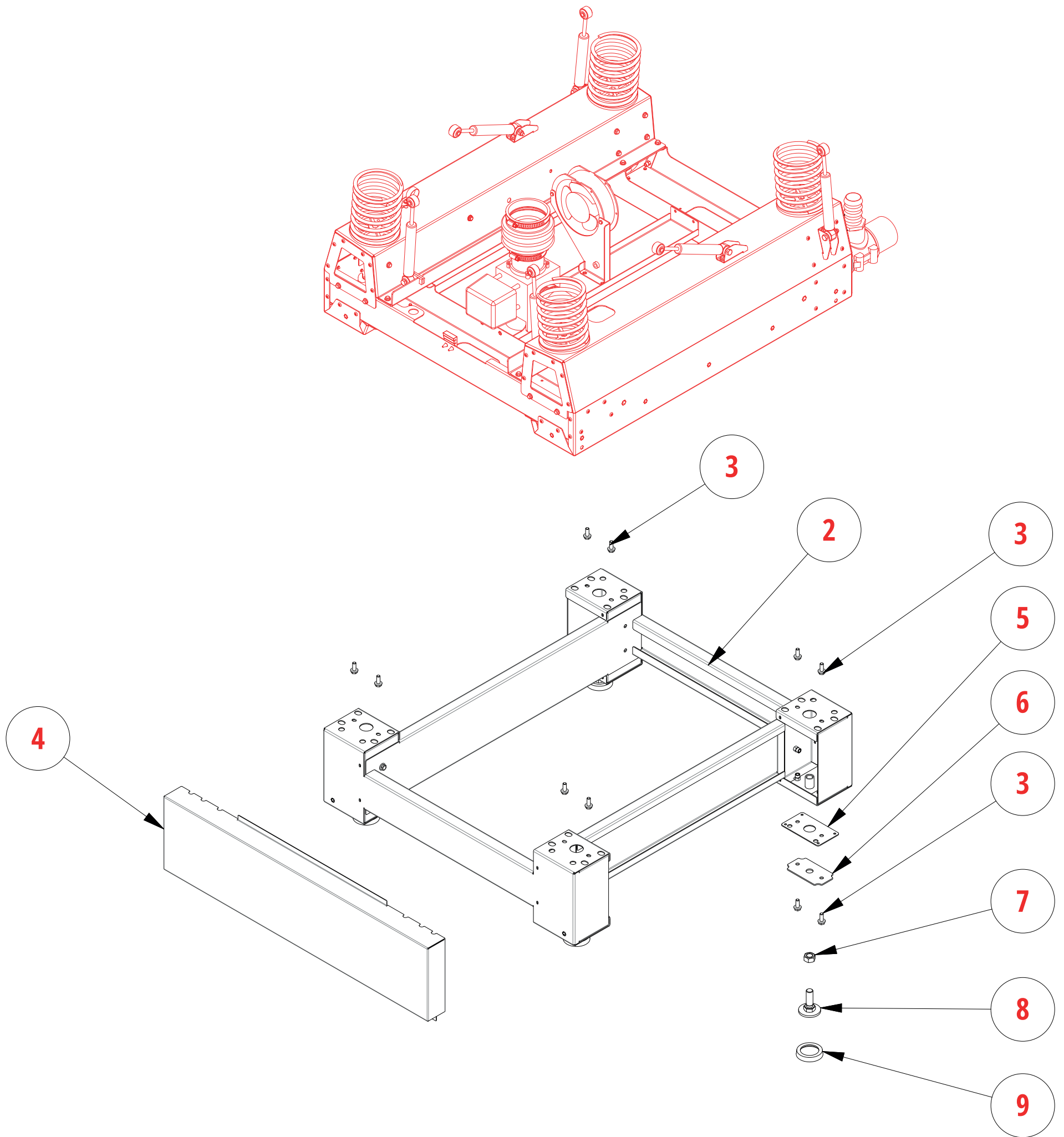
RSP: Recommended Spare Part

WE24 - WE28 INLETS

Item	Part Number	Description	RSP
5	TY00261	Liquid Detergent Inlet and Air Breaker WE10-WE15-WE18-WE20-WE24-WE28-WE40	X
13	TH0100010006	Clamp 20x30	
15	TH0020060018	Elbow D:75mm WE10-WE15-WE18-WE24-WE28-WE40	
16	TH0370010055	Detergent Box Dosage Adaptor WE10-WE15-WE18-WE20-WE24-WE28-WE40	
17	TH0130010002	Hose Water Inlet 3/4" WE10-WE15-WE18-WE24-WE28-WE40	X
18	TY05183	Water Inlet Plate WE10-WE15-WE18-WE24-WE28-WE40	
19	TY17507	Fitting T Type	
20	TH0030120011	Nipple 3/4" (Stainless)	
21	TH0110010101	Solenoid Valve Water Type 3/4" 24VDC	X
23	TSY00540	Connector	
25	TH0110010320	Water inlet Valve 3 Way WE10-WE15-WE18-WE24-WE28-WE40	X
26	TH0130120001	Hose Water 10mm	
27	TH0100010046	Hose Clamp 12x20	
28	TH0030030008	Elbow 3/4" CRNI	
29	TH0030150002	Hose Connector 3/4" Brass	
30	TY01902	Hose Steam Inlet 1/2" WE24-WE28	X
31	TY06128	Steam Injector	
32	TH0030130227	Steam Nipple 1/2" (Chrome)	
33	TSY00665	3/4" Solenoid Steam Valve Kit	X
34	TY00064	Steam Valve Connection Plate WE10-WE15-WE18-WE20-WE24-WE28-WE40	

RSP: Recommended Spare Part

WE24 - WE28 PLINTH



Item	Part Number	Description	RSP
2-1	TY02517	Plinth WE28	
2-2	TY01917	Plinth WE24	
3	TH0080030020	Bolt M8x20	
4	TY01773	Plinth Front Panel WE24-WE28	
5	TY06011	Spacer WE24-WE28-WE40	
6	TY06610	Feet Support Bolt WE24-WE28	
7	TY00081	Nut M16	
8	TH0360520006	Adjustable Feet WE20-WE24-WE28-WE40	
9	TH0360520006	Foot Rubber WE20-WE24-WE28-WE40	

RSP: Recommended Spare Part

