



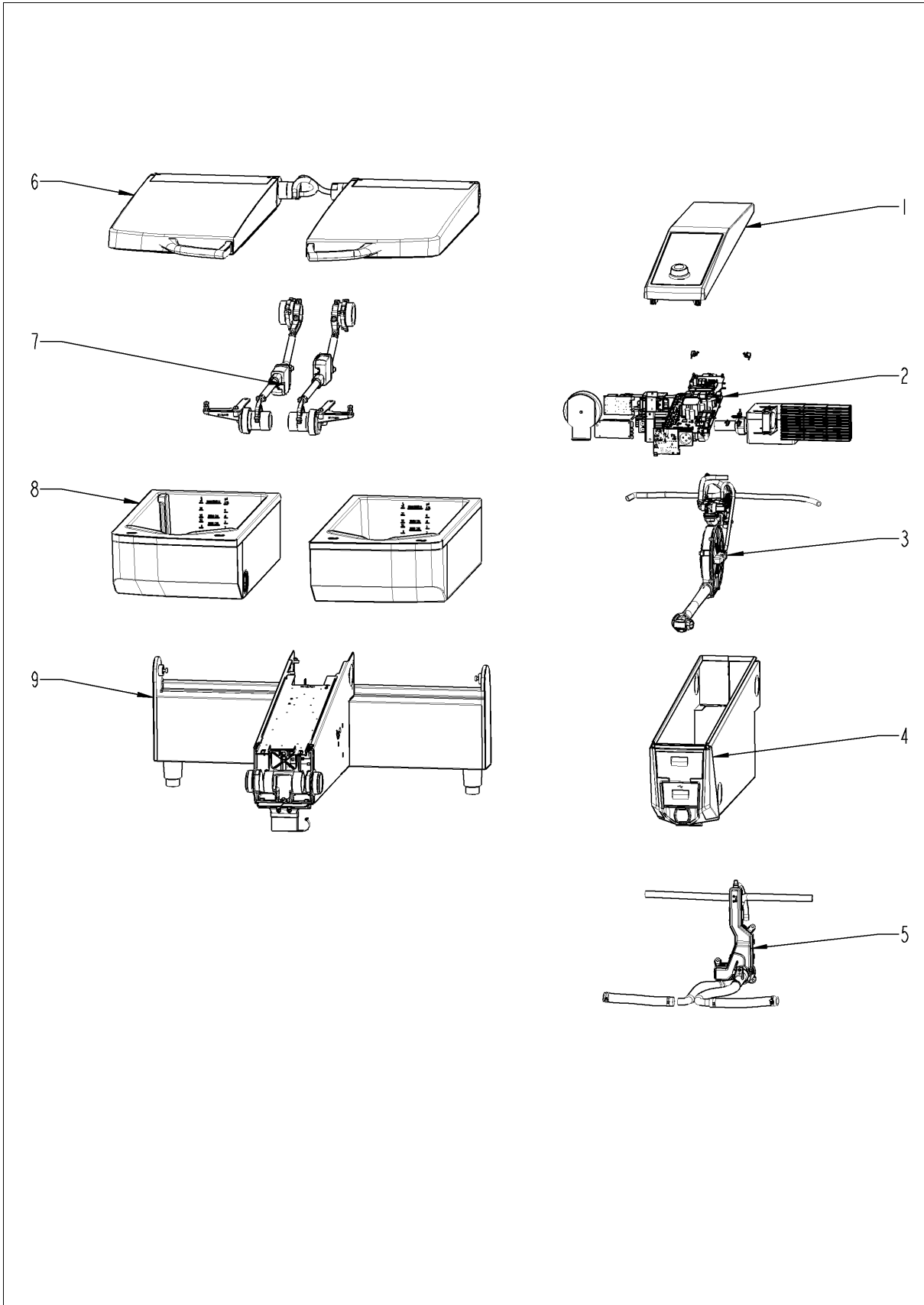
Service part catalogue

iVario® ab 03/2020 Pro 2-S (112) - 2 x 19 dm², 2 x 25 L
91+

E11PK1905



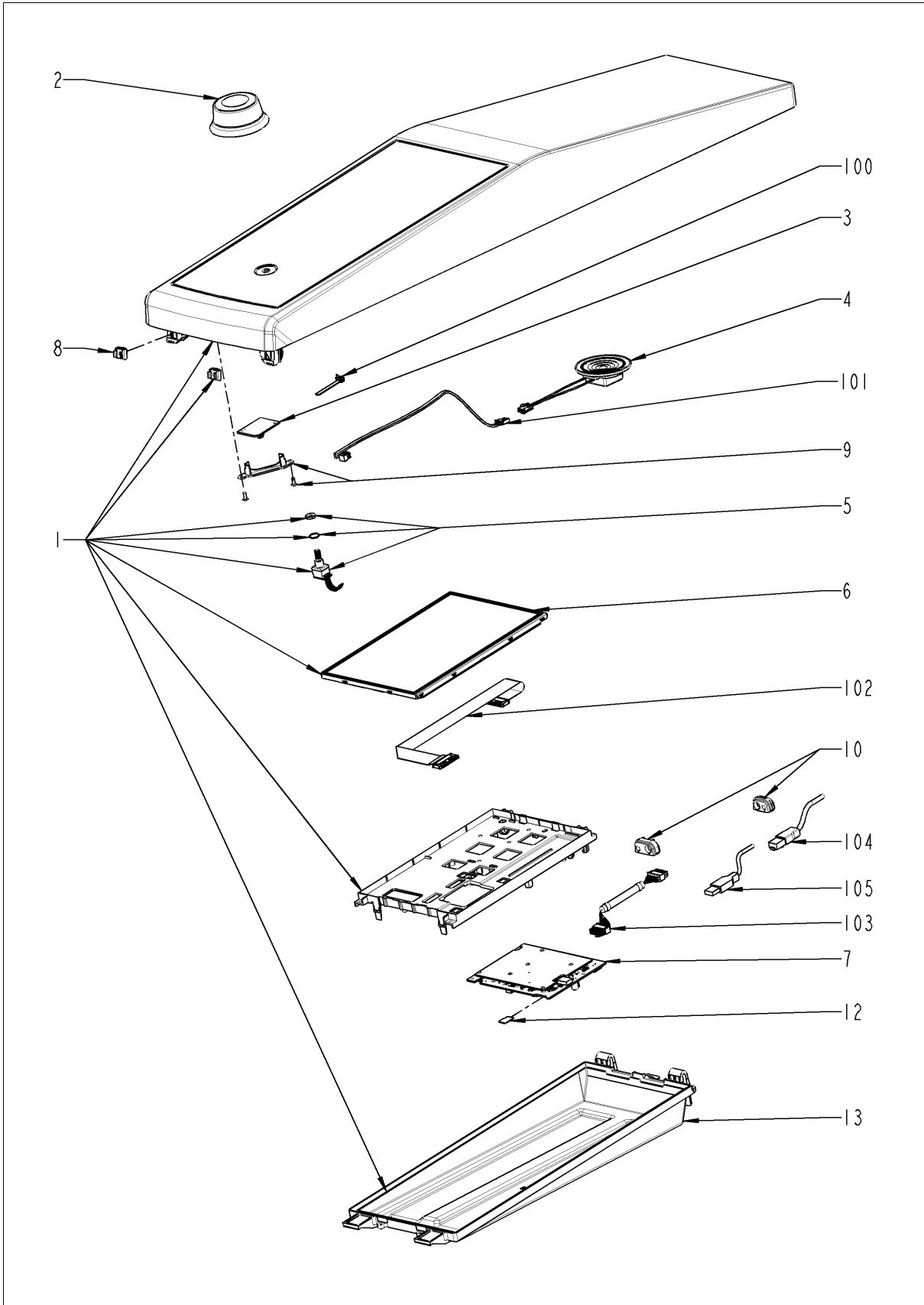
Overview



Overview

Pos.	Assembly	Page
1	Control panel	4
2	Electrical installation	6
3	Water distribution	8
4	Console	10
5	Water drain	12
6	Lid	14
7	Kinematic	18
8	Pan	20
9	Base structure	26
20	Accessories	28
30	Repair and retrofit kit	44

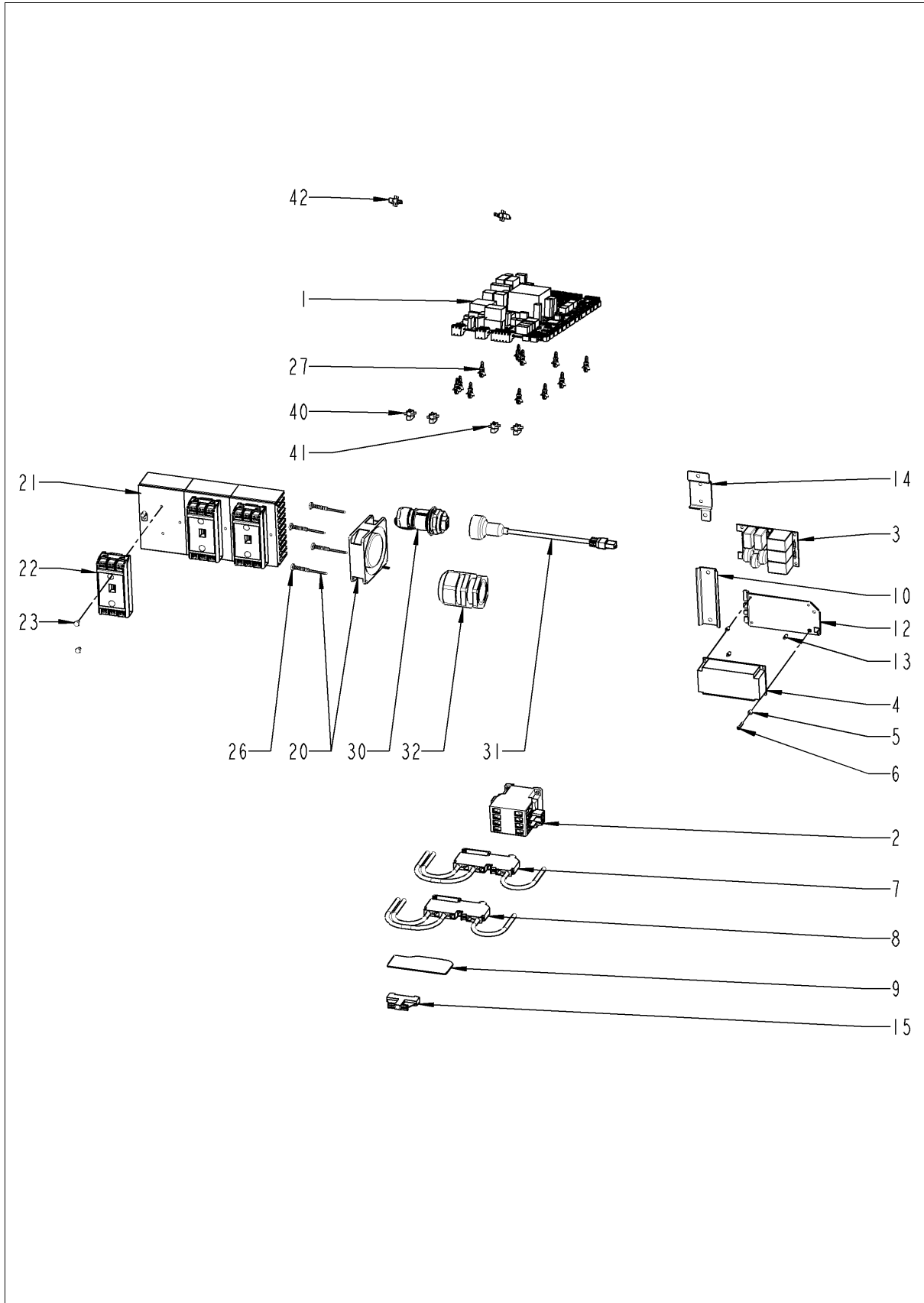
Control panel



Control panel

Pos.	Part no.	Description	Qty.
1	16.03.565P	Control panel RATIONAL	1
2	16.03.756P	Dial f. pulse generator	1
3	42.00.346P	Sensor on / off	1
4	40.06.728P	Loudspeaker K 64 WPTR	1
5	40.00.404P	Pulse generator	1
6	42.00.287P	Display *TFT*	1
7	42.00.251P	Control pcb (w/o SD-Card)	1
8	10.01.862P	Cage nut M5 for 1.7 up to 2.5mm	2
9	16.04.204S	On-Off sensor support	1
10	87.01.774S	Gasket kit for control panel cable	1
12	42.00.359P	Micro SD card	1
13	16.04.064P	Inner protective cover of the control panel	1
100	40.06.760P	Cable control pcb - capacitive switch	1
101	40.06.076P	Loudspeaker cable	1
102	40.06.569P	Cable CPU - TFT	1
103	40.06.103P	Bus cable 0,7m	1
104	40.06.732P	Interface cable LAN 2,3m	1
105	40.06.583P	Interface cable USB 1,4m	1

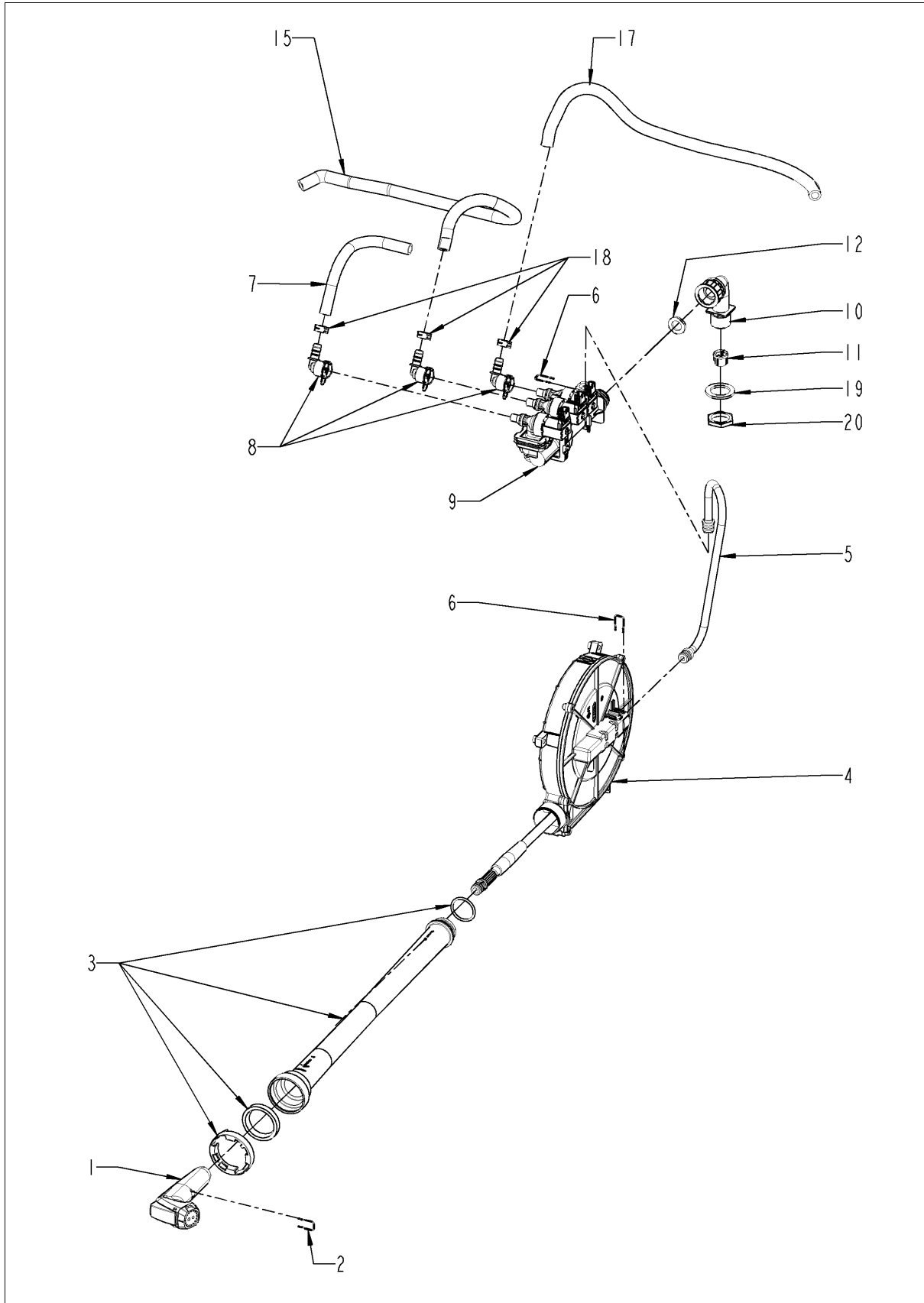
Electrical installation



Electrical installation

Pos.	Part no.	Description	Qty.
1	42.00.311P	Relay-I/O pcb A10	1
1.1	40.06.252P	Termination resistor	1
2	40.07.420P	Contacteur K3-18NBV10 190R T B01 AZ	1
3	42.00.322P	Electronic noise filter	1
4	40.06.712P	Power supply	1
5	10.01.907P	Spacer Ø int = 3,2mm, H = 6mm	1
6	10.00.144P	Socket cap screw M3x16mm	1
7	40.06.427P	Double level terminal block 10mm ² blue	1
8	40.04.643P	Double level earth terminal 10mm ² yellow/green	1
9	40.07.120P	End flask for block APFN 6 D1/2/35	1
10	12.02.769P	Installation rail for Contacteur Din 46277	1
12	12.02.847P	Power supply support	1
13	10.01.906P	Printed circuit board holder, clip-on H=6mm	3
14	12.02.902P	Contacteur support	1
15	4001.1203P	End plate for mounting rail	1
20	40.06.806S	Cooling fan	1
21	40.06.028P	Heat sink 1 SSR	3
22	40.05.670P	Solid state relais	3
23	10.02.263P	Raised countersunk head screw Torx M4x10 T20	6
26	10.01.339P	Fixing Elastomer	4
27	10.01.336P	Plastic spacer 7mm 12	11
30	40.06.327P	Interface LAN IPX6	1
31	40.06.732P	Interface cable LAN 2,3m	1
32	40.02.594P	Screwed cable gland PG 29	1
40	40.06.710P	Micro switch bundle lifting cylinder left S23/S24 X138	1
41	40.06.711P	Micro switch bundle lifting cylinder right S29/S30 X138	1
42	40.06.709P	Micro switch bundle lid up S10/S12 X150	1
100	40.06.091P	Control harness	1
109	40.04.656P	Micro switch NC, NO with strip	1

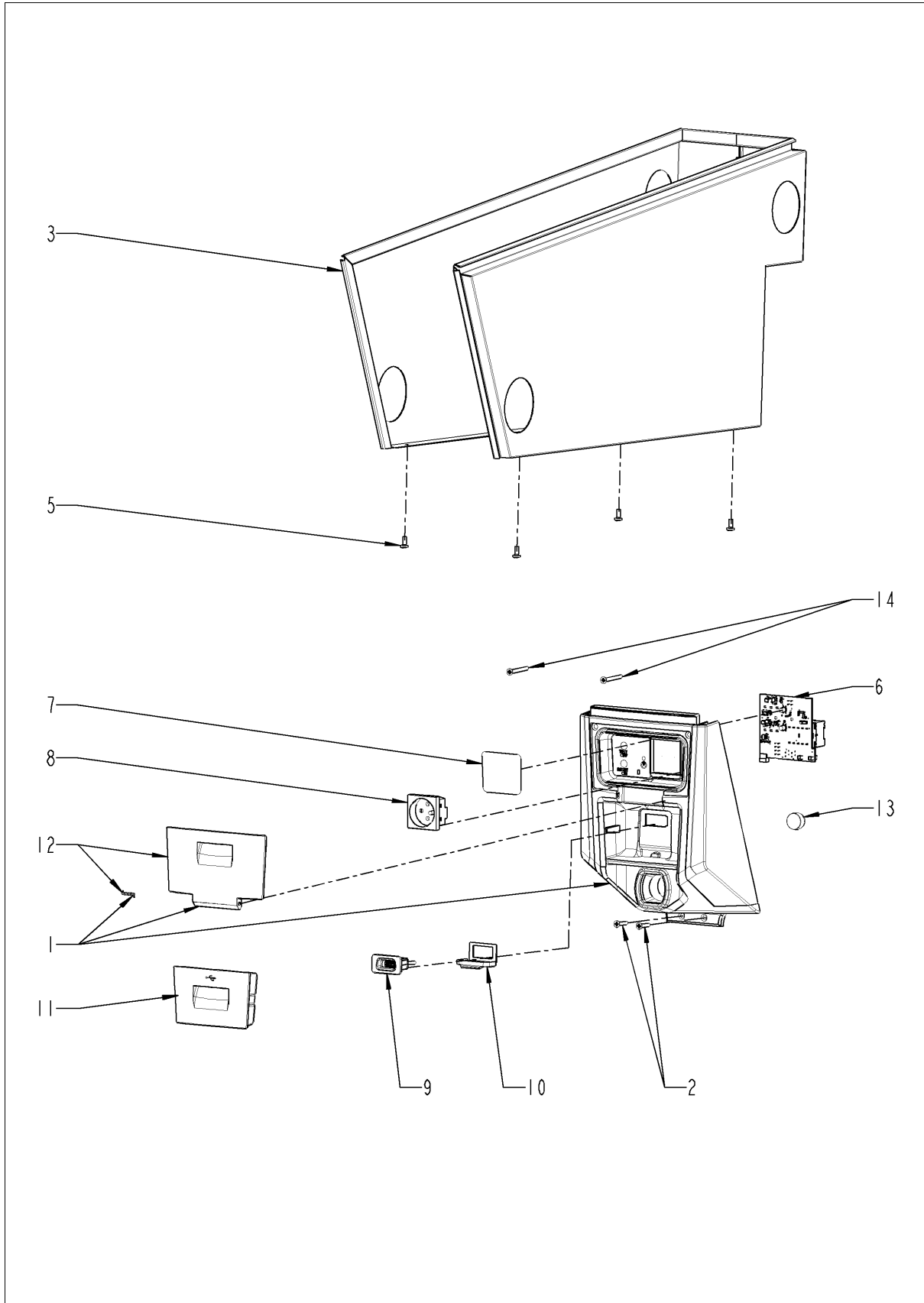
Water distribution



Water distribution

Pos.	Part no.	Description	Qty.
1	52.00.127S	Hand shower black	1
2	50.00.156P	Clamp f. hand shower roll guide	1
3	87.01.615S	Connection pipe hand shower roll guide	1
4	52.00.085P	Hand shower roll guide	1
5	52.00.094P	Hand shower roll guide water supply	1
6	50.00.085P	Plug-in spring f. hand shower roll guide	2
7	24.04.874S	Hose for control box	1
8	52.00.017P	Angle plug PS3 6-6-90°	3
9	50.02.055P	Triple solenoid valve block with flowmeter	1
10	50.02.087P	Elbow fitting 3/4" M/F	1
11	1900.0202P	Water filter	1
12	50.02.337P	3/4" gasket 3mm thick	1
15	24.04.817S	Pan filling hose left	1
17	24.04.871S	Pan filling hose right	1
18	10.02.239P	Hose clamp clic R86-145	3
19	50.02.351P	Gasket 26.8x38.8x3mm	1
20	50.02.325P	Fixing nut 3/4"	1

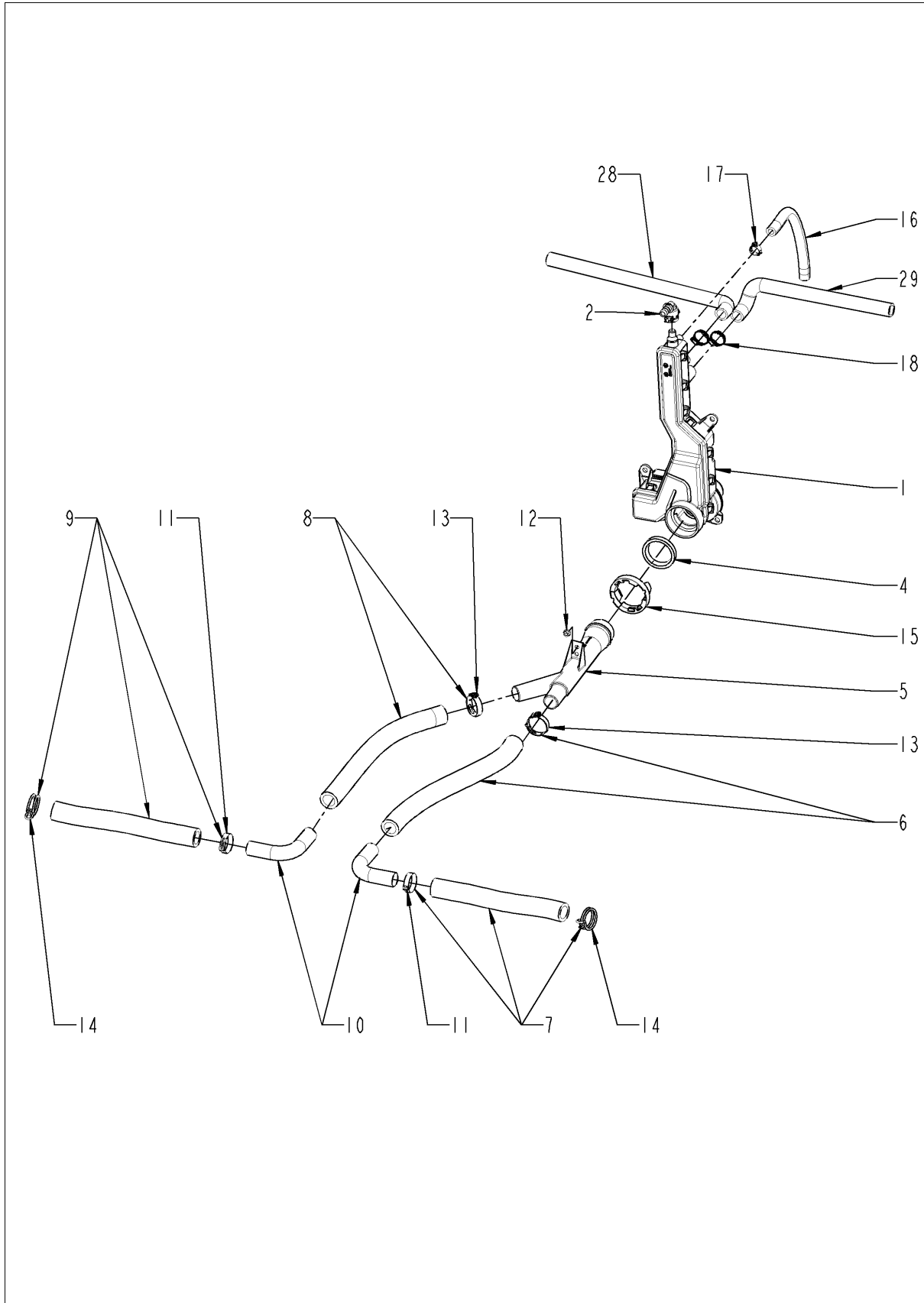
Console



Console

Pos.	Part no.	Description	Qty.
1	16.03.791P	Front panel console	1
2	10.01.669P	Slot counter head secur screw M5X20 Phillips	2
3	16.03.859P	Console panelling	1
5	10.01.615P	Pan head screw Torx M5x16	4
6	42.00.356P	Protection board for socket outlet protection	1
7	16.04.236P	Shutter sticker option without differential protection	1
8	40.01.410P	Socket 2P+T 16A (Germany)	1
9	40.06.583P	Interface cable USB 1,4m	1
10	40.06.045P	USB socket cover	1
11	16.03.878P	Front panel cover for USB assembly	1
12	16.03.997P	Socket flap	1
13	24.02.804P	Magnet 22x10mm	1
14	10.01.923P	Counter head screw M5x45 DIN965-H	2

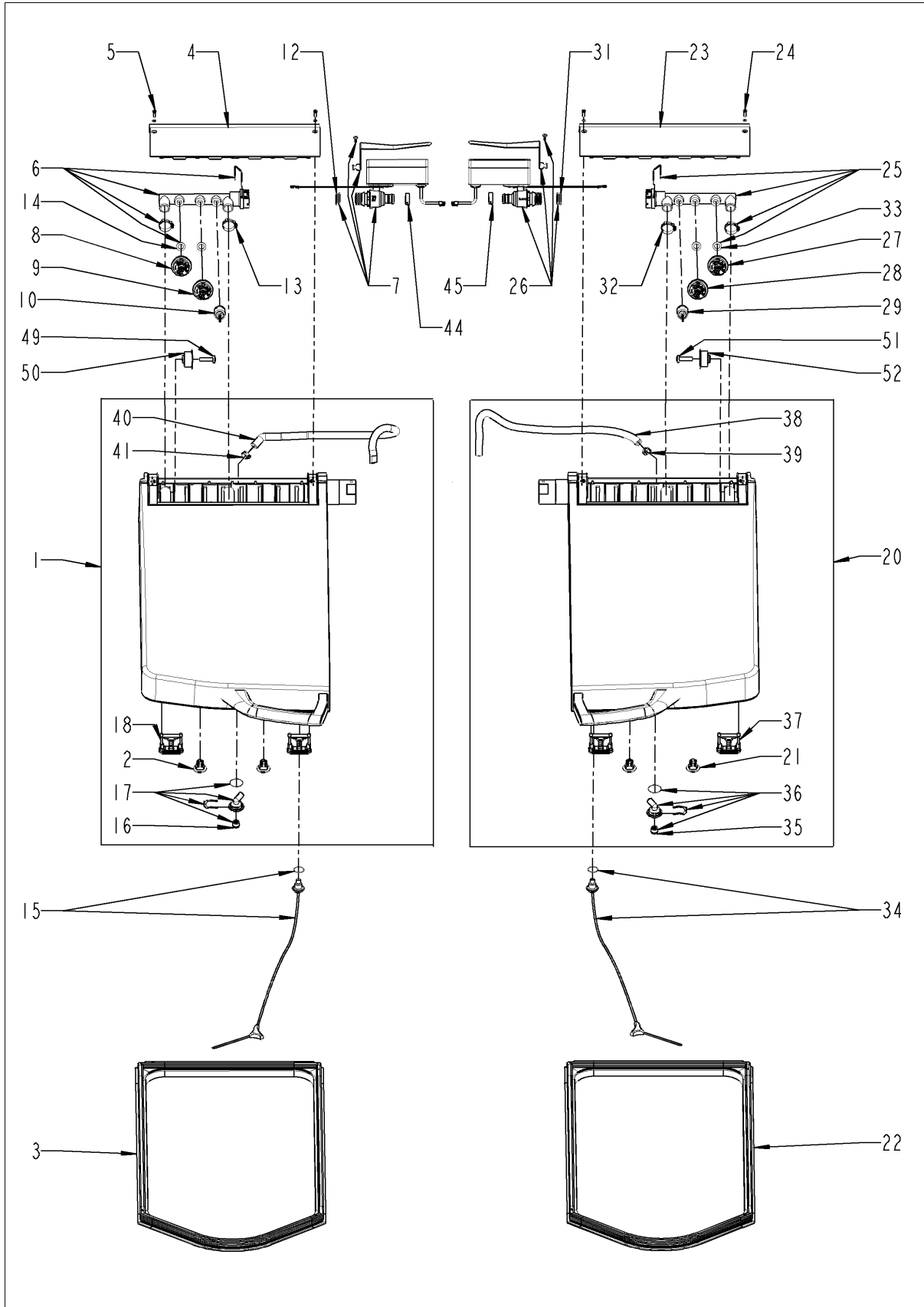
Water drain



Water drain

Pos.	Part no.	Description	Qty.
1	54.01.880P	Control chamber	1
2	52.00.017P	Angle plug PS3 6-6-90°	1
4	54.01.935P	Lip seal D40	1
5	54.01.899P	Discharge pipe 2xØ22/Ø40	1
6	54.01.997S	Drain hose	1
7	54.01.996S	Pan drain pipe	1
8	54.01.997S	Drain hose	1
9	54.01.996S	Pan drain pipe	1
10	50.01.670P	Ellbow stainless 90° Ø22x1	2
11	10.01.446P	Hose clamp clic R96-300	2
12	10.01.054P	Hexagonal nut with notched flange M5	1
13	10.02.238P	Hose clamp clic R96-315	2
14	2066.0522P	Hose clamp ø 31,3 mm	2
15	54.02.053P	Locking ring	1
16	24.04.940P	Silicon hose ø10x3mm	.2
17	10.02.239P	Hose clamp clic R86-145	1
18	10.02.313P	Clamp 21,8-27	2
28	54.01.981S	Drain hose left cover - control chamber	1
29	54.01.982S	Drain hose cover right - control chamber	1

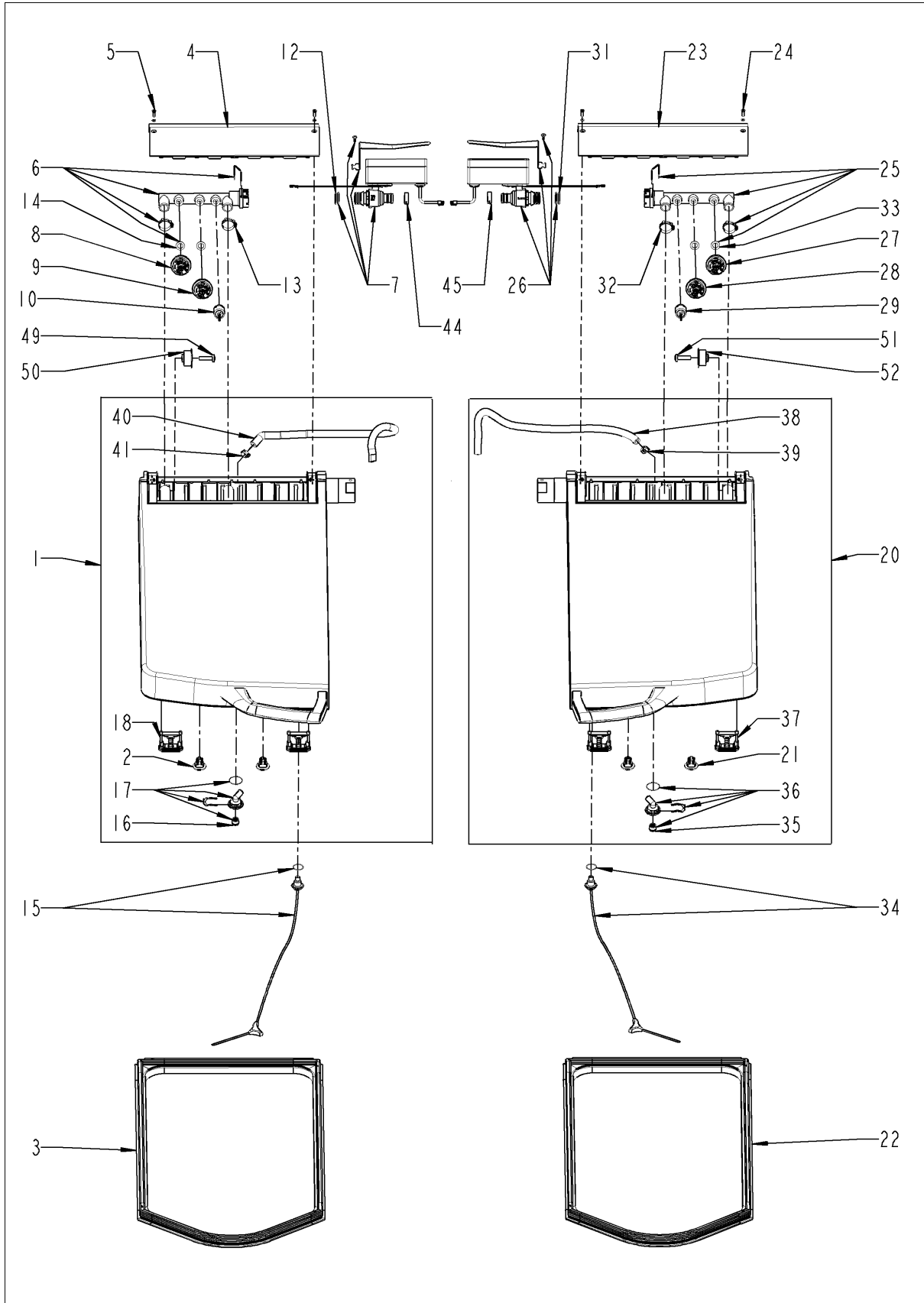
Lid



Lid

Pos.	Part no.	Description	Qty.
1	24.03.474P	Lid left	1
2	24.04.711P	Cover for pressure connection	2
3	24.04.951P	Lid gasket	1
4	24.03.863P	Inspection cover for lid	1
5	10.01.808P	Hex socket countersunk head screw M5x16	2
6	87.01.563S	Left module for sensors	1
7	87.01.837S	Pressure control valve	1
8	54.01.751S	Pressure switch 20 mbar	1
9	54.01.878S	Pressure switch 350 mbar	1
10	54.01.771P	Pressure sensor	1
12	54.02.082P	O-ring for ball valve 21,5 x 3	2
13	10.01.789P	Hose clamp clic 462640265B	2
14	54.01.962P	Flat gasket 20x13,5x2mm	2
15	40.07.165S	Meat probe sensor	1
16	50.02.248S	Aerator with service key	1
17	87.01.617S	Filling nozzle left cover	1
18	24.04.432P	Locking orifice plug	2
20	24.03.481P	Lid right	1
21	24.04.711P	Cover for pressure connection	2
22	24.04.951P	Lid gasket	1
23	24.03.863P	Inspection cover for lid	1
24	10.01.808P	Hex socket countersunk head screw M5x16	2
25	87.01.562S	Right module for sensors	1
26	87.01.837S	Pressure control valve	1
27	54.01.751S	Pressure switch 20 mbar	1
28	54.01.878S	Pressure switch 350 mbar	1
29	54.01.771P	Pressure sensor	1
31	54.02.082P	O-ring for ball valve 21,5 x 3	2
32	10.01.789P	Hose clamp clic 462640265B	2
33	54.01.962P	Flat gasket 20x13,5x2mm	2
34	40.07.164S	Meat probe sensor, right lid	1
35	50.02.248S	Aerator with service key	1
36	87.01.618S	Filling nozzle right cover	1
37	24.04.432P	Locking orifice plug	2
38	24.04.940P	Silicon hose ø10x3mm	.5
39	10.01.132P	Hose clamp clic R86-140	1

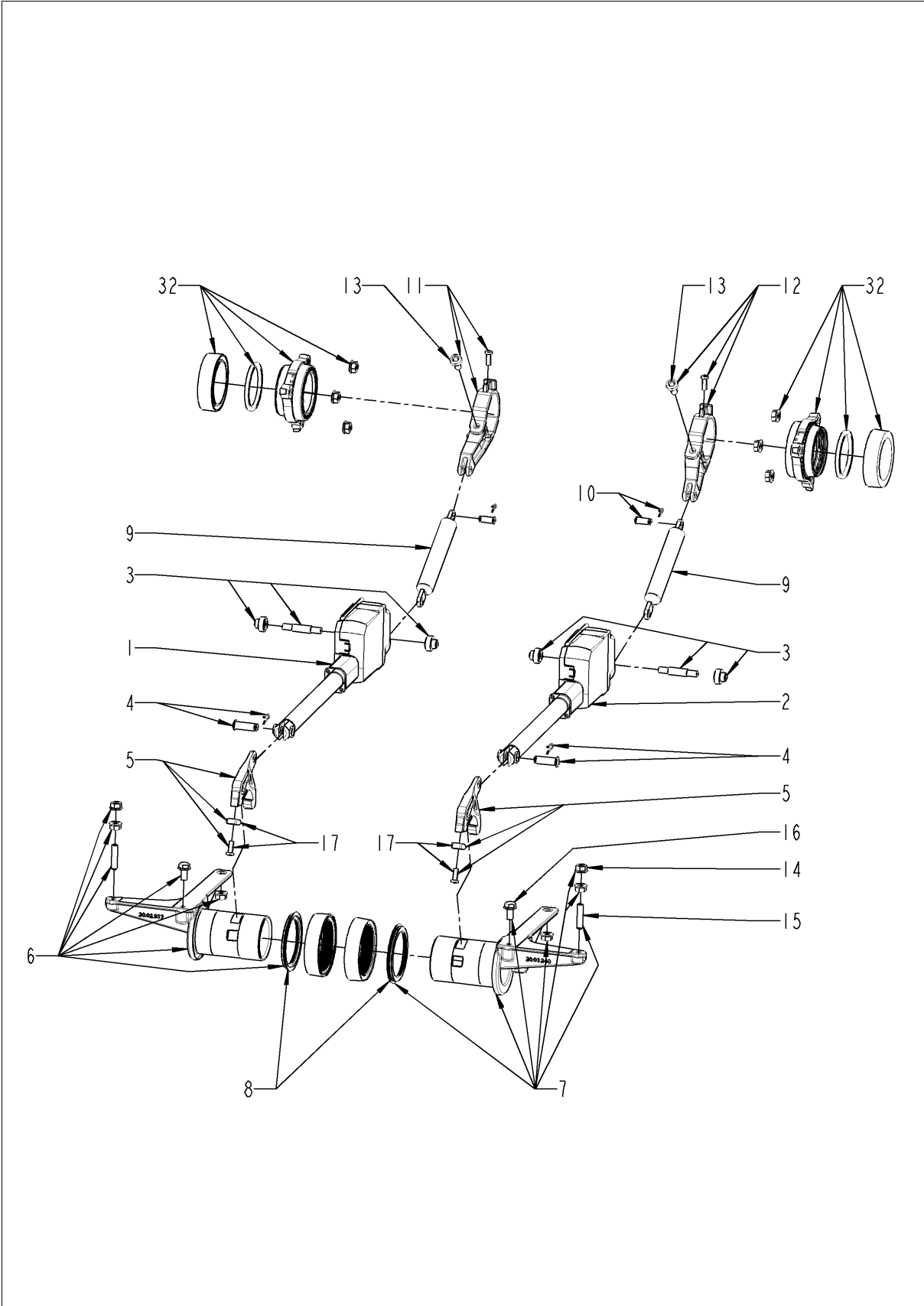
Lid



Lid

Pos.	Part no.	Description	Qty.
40	24.04.940P	Silicon hose ø10x3mm	.5
41	10.01.132P	Hose clamp clic R86-140	1
44	10.01.129P	Hose clamp clic R96-245	1
45	10.01.129P	Hose clamp clic R96-245	1
49	10.01.826P	Cylinder head screw torx T40 M8x30	1
50	24.04.707P	Lid retaining washer	1
51	10.01.826P	Cylinder head screw torx T40 M8x30	1
52	24.04.707P	Lid retaining washer	1

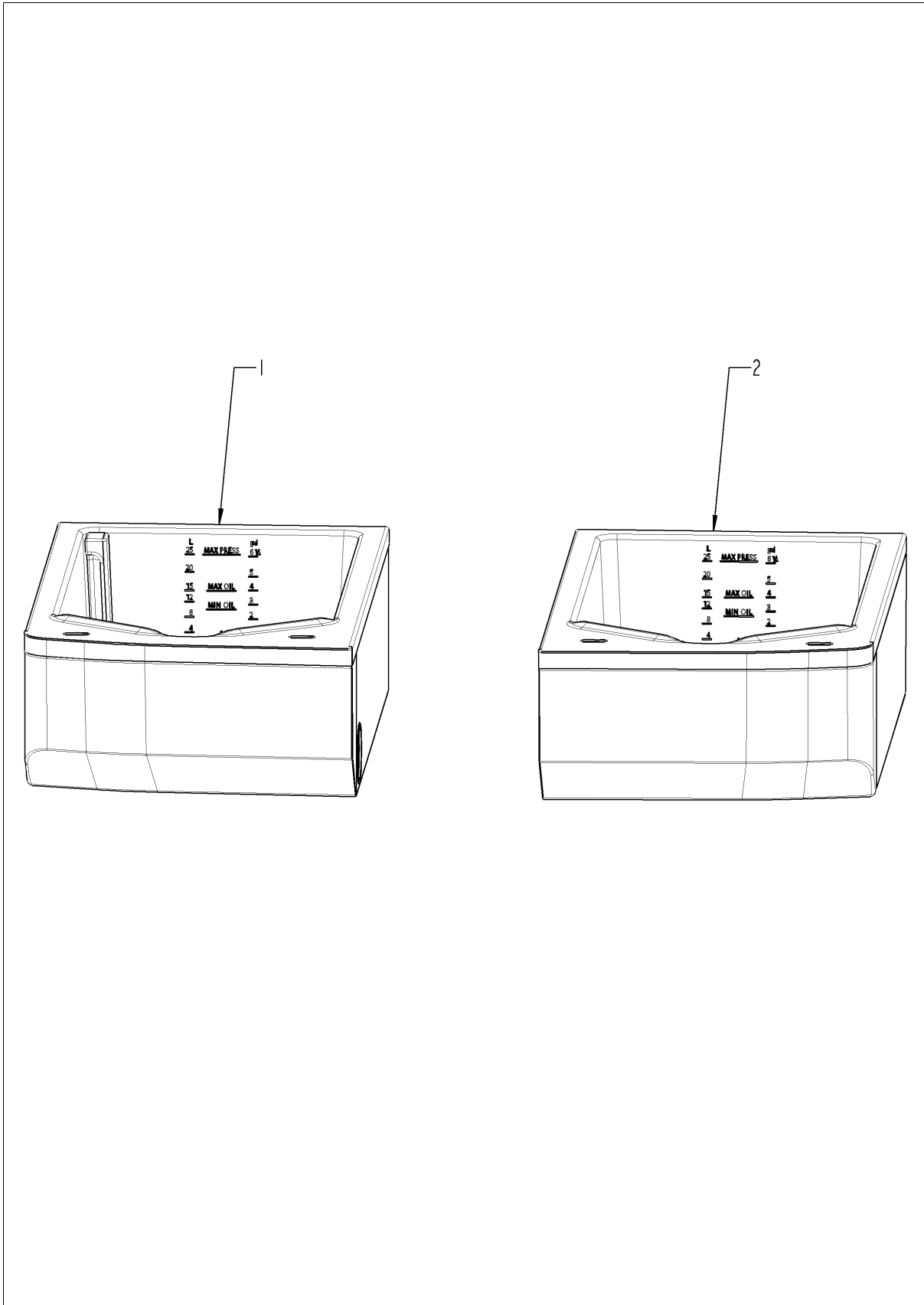
Kinematic



Kinematic

Pos.	Part no.	Description	Qty.
1	20.03.678P	Lifting cylinder for pan and lid	1
2	20.03.678P	Lifting cylinder for pan and lid	1
3	24.04.882S	Axis Autolift	2
4	20.02.130S	Shaft jack	2
5	20.02.872S	Lift arm for pan	2
6	20.02.937S	Left pan shaft	1
7	20.03.248S	Pan shaft right	1
8	20.02.940P	Sealing ring for pan shaft	2
9	24.04.307P	Jack gas 900N	2
10	24.04.155S	Shaft jack D8 with staple pin	1
11	24.03.808S	Lift arm for lid left	1
12	24.04.148S	Lift arm for lid right	1
13	10.01.616P	Pan head screw Torx T40 M8x16	2
14	10.01.851P	Collar nut M8 locking teeh	6
15	10.01.479P	Hex socket set screw cup point A2 M8x35 Tuflok	2
16	1008.0768P	Ornamental screw M8x16	2
17	20.02.588S	Fixing plate lever pan	2
32	24.04.424S	Lid bearing with sealing ring	2
100	40.04.656P	Micro switch NC, NO with strip	1

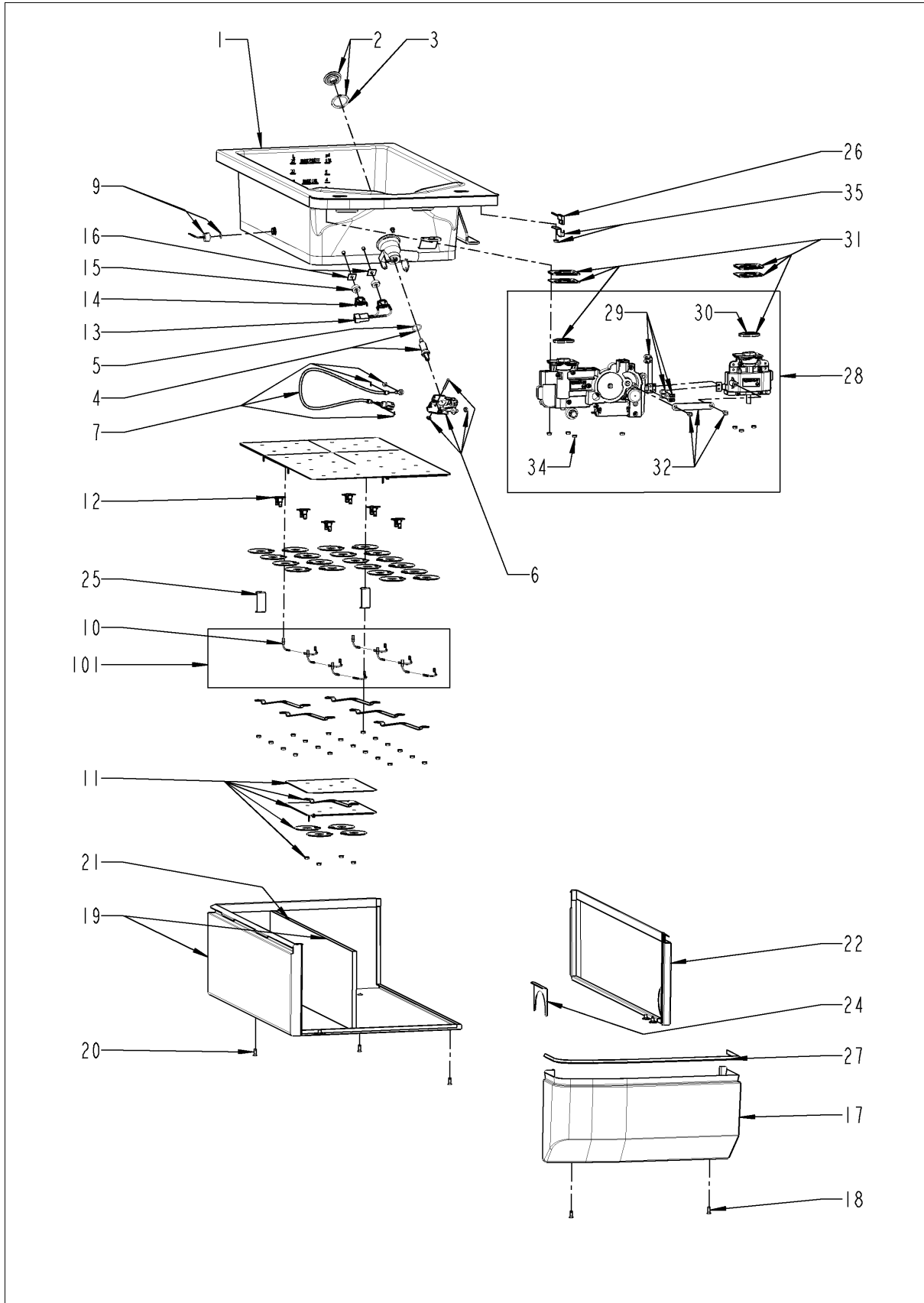
Pan



Pan

Pos.	Part no.	Description	Qty.
1		Pan left	1
2		Pan right	1

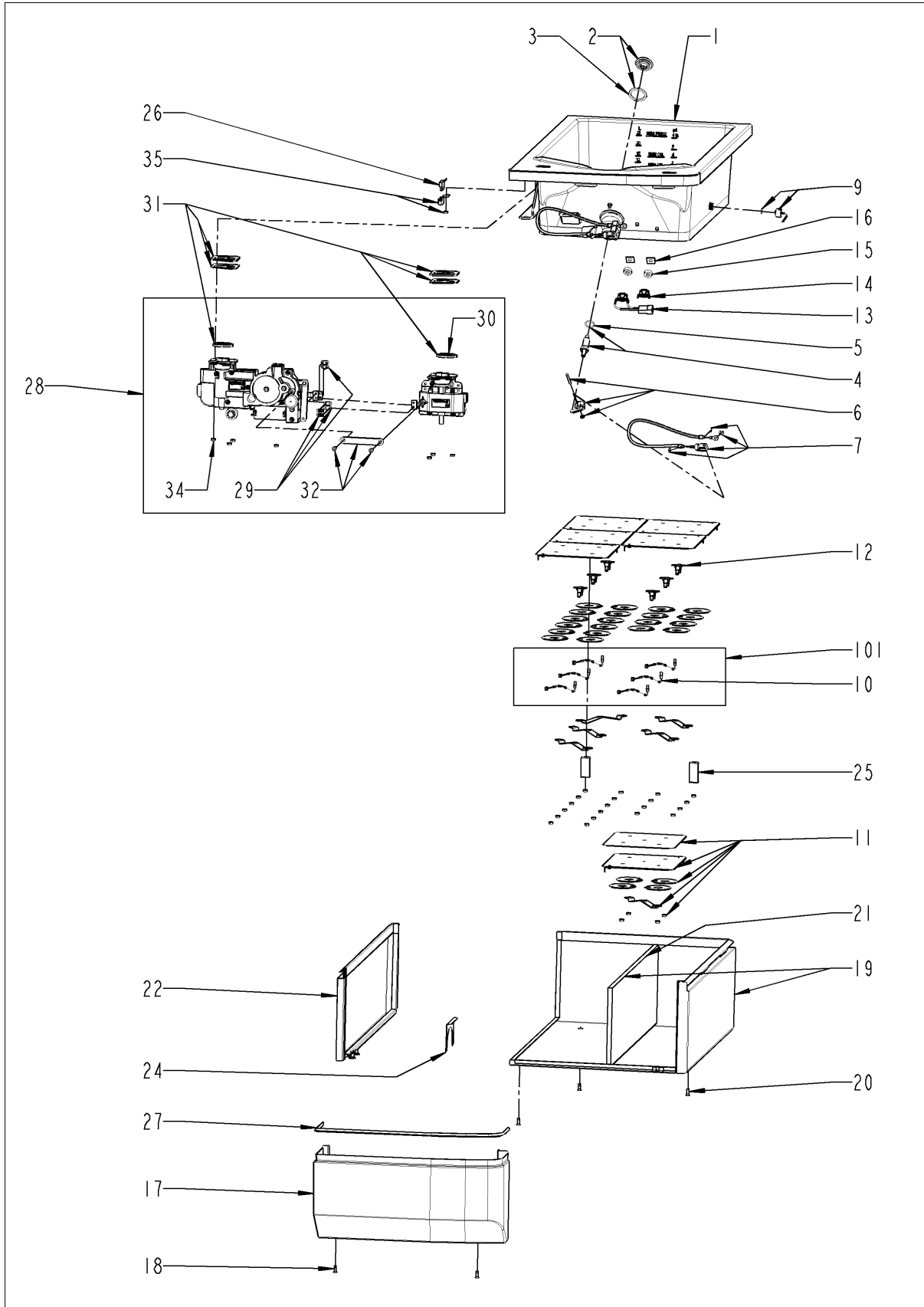
Pan left



Pan left

Pos.	Part no.	Description	Qty.
1	87.01.777S	Kit pan left with pressure	1
2	20.01.712S	Plug for pan valve with gasket	1
3	20.00.992P	Gasket for plug pan valve	1
4	20.00.905S	Sheath for pan valve	1
5	10.00.675P	O-ring f. pan valve 17.3 x 2.4	1
6	20.02.199S	Actuation for pan valve	1
7	20.03.450S	Pan valve cable pan left	1
9	40.06.857S	Thermocouple pan left	1
10	87.00.339	Thermocouple for heating element	1
11	87.00.674	Conversion kit heating element 2287W 230V	6
12	40.04.370P	Safety temperature limiter heating element	6
13	40.04.501P	Safety temperature limiter 130°	1
14	40.04.512P	Safety temperature limiter 205°C	1
15	20.01.508P	Spacer for safety temperature limiter	2
16	20.01.518P	Graphit plate for safety temperature limiter	2
17	20.03.564P	Left pan front panel	1
18	10.01.808P	Hex socket countersunk head screw M5x16	2
19	20.02.943P	Side panel left of pan left	1
20	10.01.808P	Hex socket countersunk head screw M5x16	3
21	20.03.472P	Pan insulation	1
22	20.02.935P	Side panel right for pan left	1
24	20.03.324P	Clip of pan side panel	1
25	20.03.265P	Mounting angle for pan panel	2
26	40.06.458P	Magnetic contact	1
27	20.03.466P	V-profile gasket	1
28	87.01.564S	Lid locking assembly	1
29	20.03.696P	Connecting link ISO06B-1 Form E	2
30	20.03.705P	Gasket for lid locking assembly	2
31	87.01.539S	Gaskets and shims for cover locking	1
32	20.03.626S	Master-slave locking system rigidifying piece	1
34	10.01.979P	Hexagonal nut with notched flange M5 Tuflock	7
35	20.03.649S	Magnetic contact support	1
100	40.05.944P	Power harness heating element pan left	1
101	40.05.931P	Thermocouple harness left and right	1

Pan right



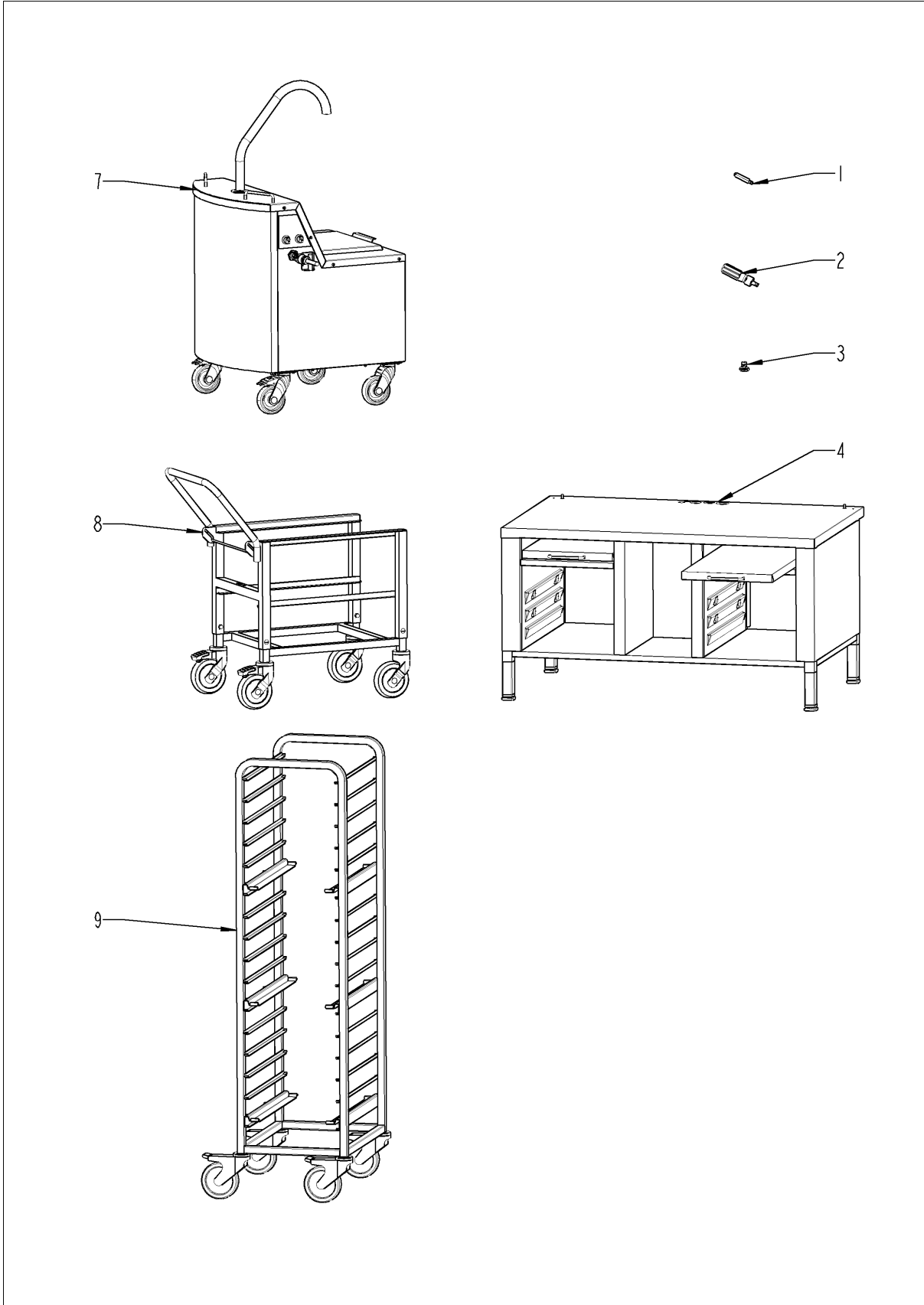
Pan right

Pos.	Part no.	Description	Qty.
1	87.01.778S	Kit pan right with pressure	1
2	20.01.712S	Plug for pan valve with gasket	1
3	20.00.992P	Gasket for plug pan valve	1
4	20.00.905S	Sheath for pan valve	1
5	10.00.675P	O-ring f. pan valve 17.3 x 2.4	1
6	20.01.030S	Actuation for pan valve	1
7	20.03.650S	Bowden cable pan right	1
9	40.06.858S	Thermocouple pan right	1
10	87.00.339	Thermocouple for heating element	1
11	87.00.674	Conversion kit heating element 2287W 230V	6
12	40.04.370P	Safety temperature limiter heating element	1
13	40.04.501P	Safety temperature limiter 130°	1
14	40.04.512P	Safety temperature limiter 205°C	1
15	20.01.508P	Spacer for safety temperature limiter	2
16	20.01.518P	Graphit plate for safety temperature limiter	2
17	20.03.566P	Right pan front panel	1
18	10.01.808P	Hex socket countersunk head screw M5x16	2
19	20.02.950P	Side panel right of pan right	1
20	10.01.808P	Hex socket countersunk head screw M5x16	3
21	20.03.472P	Pan insulation	1
22	20.02.949P	Side panel left of pan right	1
24	20.03.324P	Clip of pan side panel	1
25	20.03.265P	Mounting angle for pan panel	2
26	40.06.458P	Magnetic contact	1
27	20.03.466P	V-profile gasket	1
28	87.01.564S	Lid locking assembly	1
29	20.03.696P	Connecting link ISO06B-1 Form E	2
30	20.03.705P	Gasket for lid locking assembly	2
31	87.01.539S	Gaskets and shims for cover locking	1
32	20.03.626S	Master-slave locking system rigidifying piece	1
34	10.01.979P	Hexagonal nut with notched flange M5 Tuflock	7
35	20.03.649S	Magnetic contact support	1
100	40.05.945P	Power harness heating element pan right	1
101	40.05.931P	Thermocouple harness left and right	1

Base structure

Pos.	Part no.	Description	Qty.
1	12.02.979P	Chassis central	1
2	16.03.859P	Console panelling	1
3	10.01.912P	Crosshead screw M5x12	4
5	10.01.862P	Cage nut M5 for 1.7 up to 2.5mm	2
6	12.02.707P	Front foot 45mm	1
7	10.01.669P	Slot counter head secur screw M5X20 Phillips	2
8	12.02.088P	Rear technical compartment	1
9	16.03.552P	Rear technical compartment cladding	1
10	10.01.842P	Pan head screw Torx Ejot PT WA5463 60x1,8x18	12
11	12.02.159P	Cover left - right for rear technical compartment	1
12	12.02.159P	Cover left - right for rear technical compartment	1
13	12.02.684P	Central cover for rear technical compartment	1
14	10.02.080P	Countersunk screw DELTA PT 50*16 T+25 A2	14
15	12.02.434P	Gasket for rear technical compartment cover	2
16	12.02.157P	Outer bearing for lid left	1
17	12.02.397P	Outer bearing for lid right	1
18	12.02.408P	Protection for lid outer bearing	2
19	10.01.851P	Collar nut M8 locking teeh	8
20	10.01.616P	Pan head screw Torx T40 M8x16	2
21	12.02.423S	Adjustable rear foot 45mm with locking clip	2
22	12.02.472P	Spacer for rear technical compartment	4
24	10.02.227P	Cap for T25 Torx screws	14
30	40.06.327P	Interface LAN IPX6	1
31	12.02.450P	Fixing device for Ethernet connector	1
32	10.01.878P	Cylinder head screw torx M5x10	2
33	12.02.623P	Electric circuit board support	1
34	10.01.054P	Hexagonal nut with notched flange M5	2
35	12.02.643P	Slides linkage	1
40	60.75.807P	Foam support	1
41	87.01.591S	Front foot 90mm	1
42	87.01.590S	Extension 90mm for rear foot	2
45	60.75.016P	Securing device for discharge pipe	1
57	40.02.594P	Screwed cable gland PG 29	1

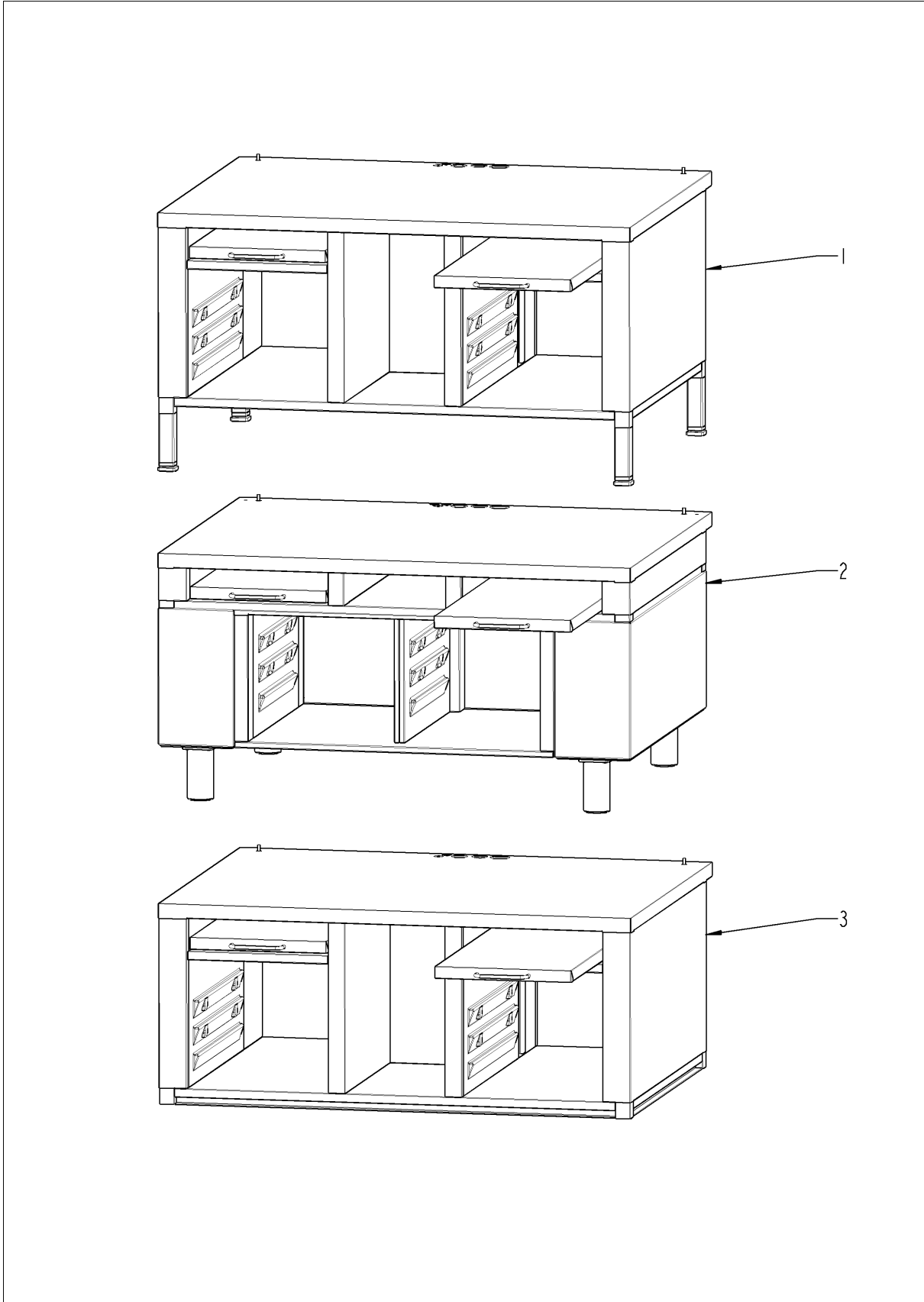
Accessories



Accessories

Pos.	Part no.	Description	Qty.
1	87.01.758	Memory-Stick USB iVario	1
2	W24001	Dynamometric screwdriver 4Nm	1
3	50.02.319P	Aerator service key	1
4		Installation variants	1
7		Oil cart	1
8		VarioMobil	1
9		Basket cart	1

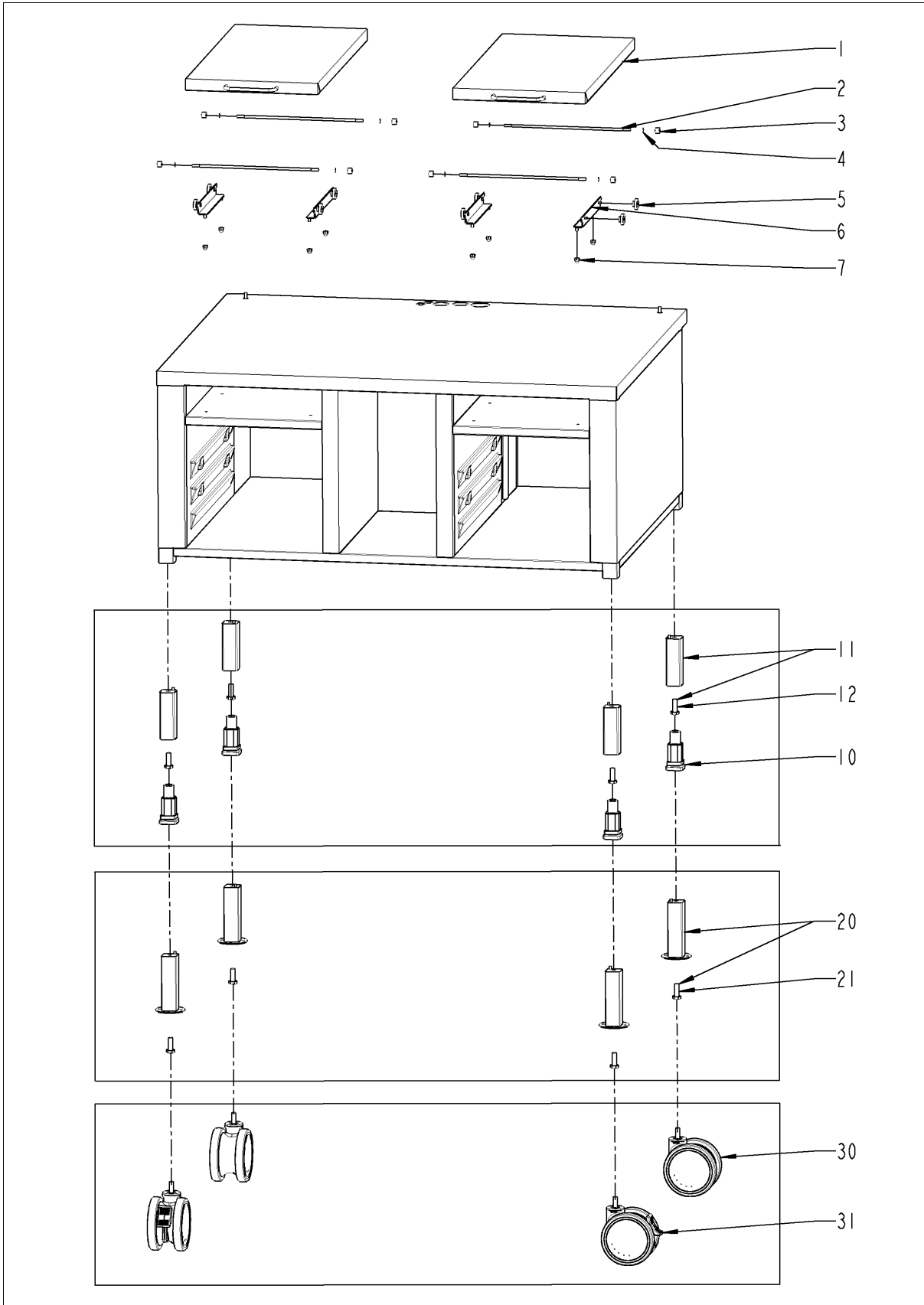
Installation variants



Installation variants

Pos.	Part no.	Description	Qty.
1		Underframe	1
2		Stand with electric height adjustment	1

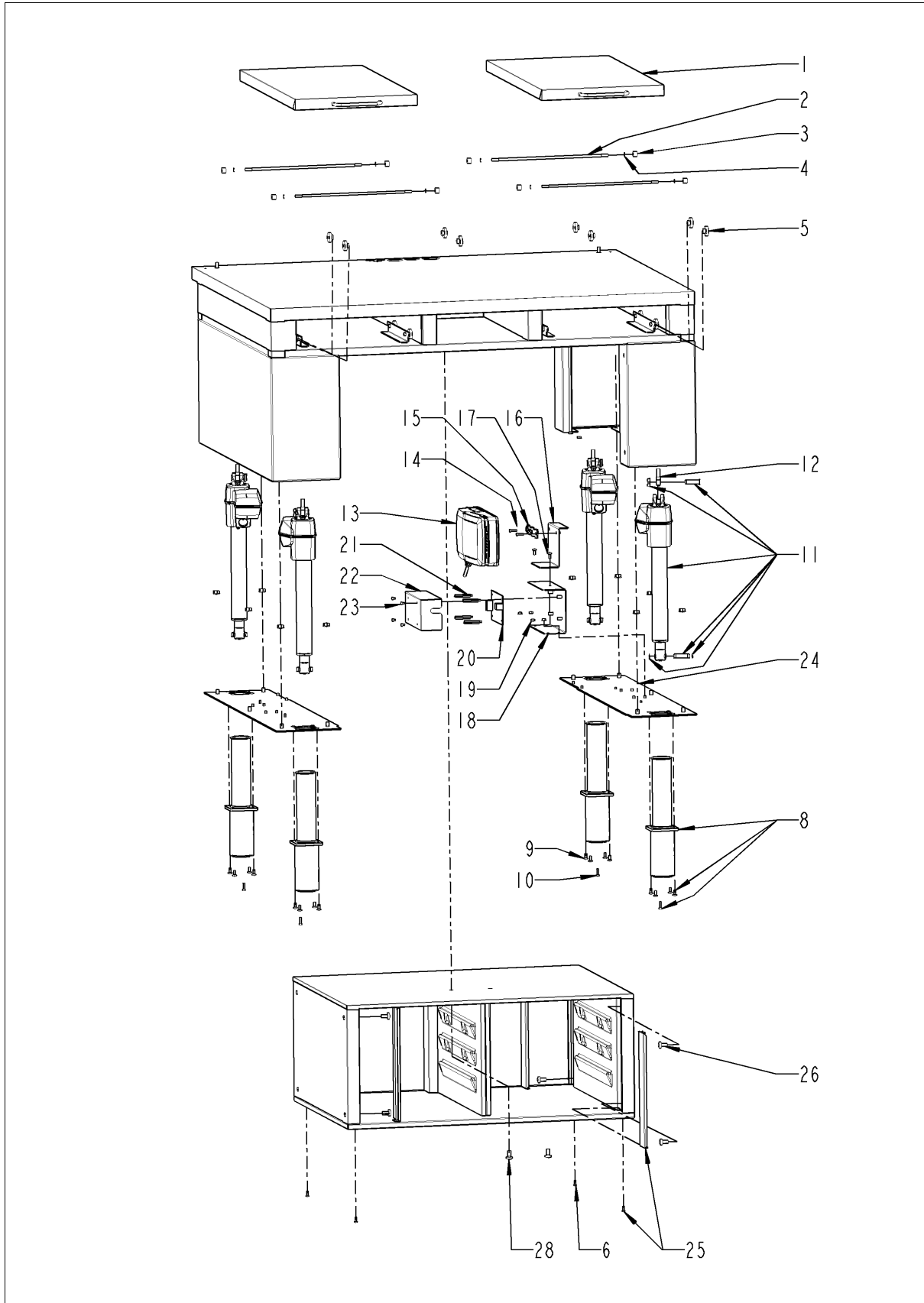
Standard underframe



Standard underframe

Pos.	Part no.	Description	Qty.
1	60.75.425P	Retractable shelf	2
2	60.30.928P	Stop for retractable shelf	4
3	2039.0326V	Spacer for pcb	8
4	10.02.229P	Circlips Øint 5mm	8
5	60.70.131P	Roller 25/6.5 HM5 stainless steel	8
6	60.76.712P	Drawer rail	4
7	1106.0360P	Cap nut M6, high shape	8
10	12.01.290P	Adjustable foot	4
11	60.75.429S	Plastic foot adaptor for substructure	4
12	1010.0761P	Hex screw M10x30	4
20	60.31.542S	Stainless steel substructure foot	4
21	1010.0761P	Hex screw M10x30	4
30	60.74.680P	Castor without brake ø125mm	1
31	60.74.681P	Castor with brake ø125mm	2

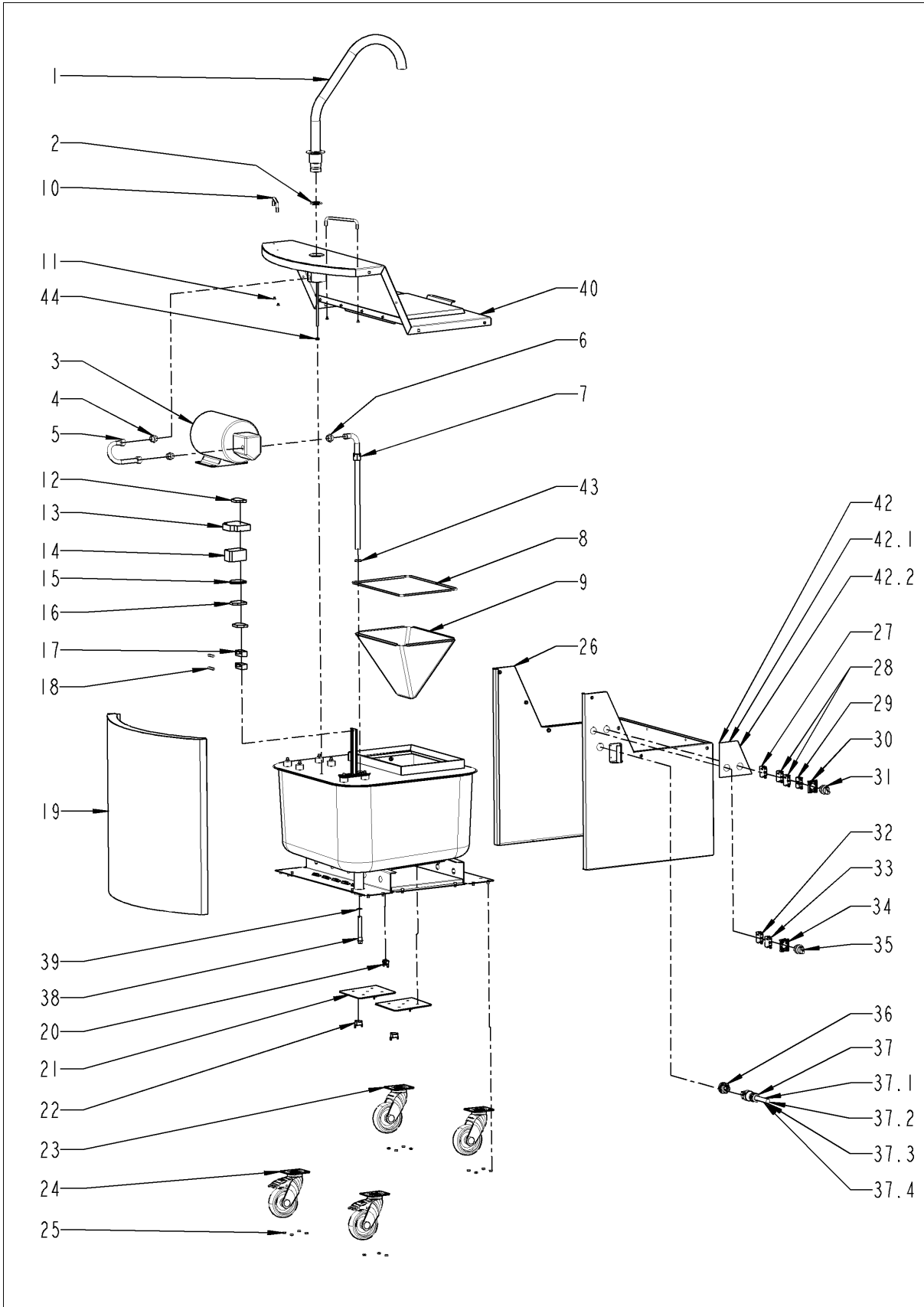
Stand with electric height adjustment



Stand with electric height adjustment

Pos.	Part no.	Description	Qty.
1	60.75.425P	Retractable shelf	2
2	60.30.928P	Stop for retractable shelf	4
3	2039.0326V	Spacer for pcb	8
4	10.02.229P	Circlips Øint 5mm	8
5	60.70.131P	Roller 25/6.5 HM5 stainless steel	8
6	10.01.776P	Pan head screw Torx T20 M4x12	4
8	60.74.713S	Telescopic foot	4
9	10.01.912P	Crosshead screw M5x12	16
10	10.01.778P	Pan head screw Torx M4x16	4
11	87.01.759S	Lifting cylinder for height adjustable substructure	1
12	60.74.853P	Eye socket with threaded shank M8x20	4
13	42.00.305S	Module CO61	1
14	10.01.778P	Pan head screw Torx M4x16	2
15	42.00.342P	Holder for module CO61	1
16	42.00.351P	CO61 module carrier	1
17	10.01.912P	Crosshead screw M5x12	2
18	42.00.344P	Converter holder part 1	1
19	10.01.054P	Hexagonal nut with notched flange M5	4
20	42.00.352P	RS232 converter for adjustable height	1
21	10.02.121P	Hexagonal spacer M4x40	4
22	42.00.375P	Converter protection cover	1
23	10.00.061P	Pan head screw Torx T20 M4x12	4
24	60.31.359P	Bottom plate for a height-adjustable substructure	2
25	60.76.630S	Side hatch for substructure box	4
26	10.01.616P	Pan head screw Torx T40 M8x16	8
28	10.01.616P	Pan head screw Torx T40 M8x16	2
30	54.02.056P	Flexible drain pipe DN50	1
100	40.06.499P	Power + bus cable for height-adjustable substructure	1
101	40.07.161P	Bus cable extender W66	1
102	40.06.762P	Short power supply cable height adjustable cylinder	2
103	40.06.763P	Cylinder connection cable to CO61 module	2
104	40.06.765P	Connection cable CO61 - RS232 converter	1

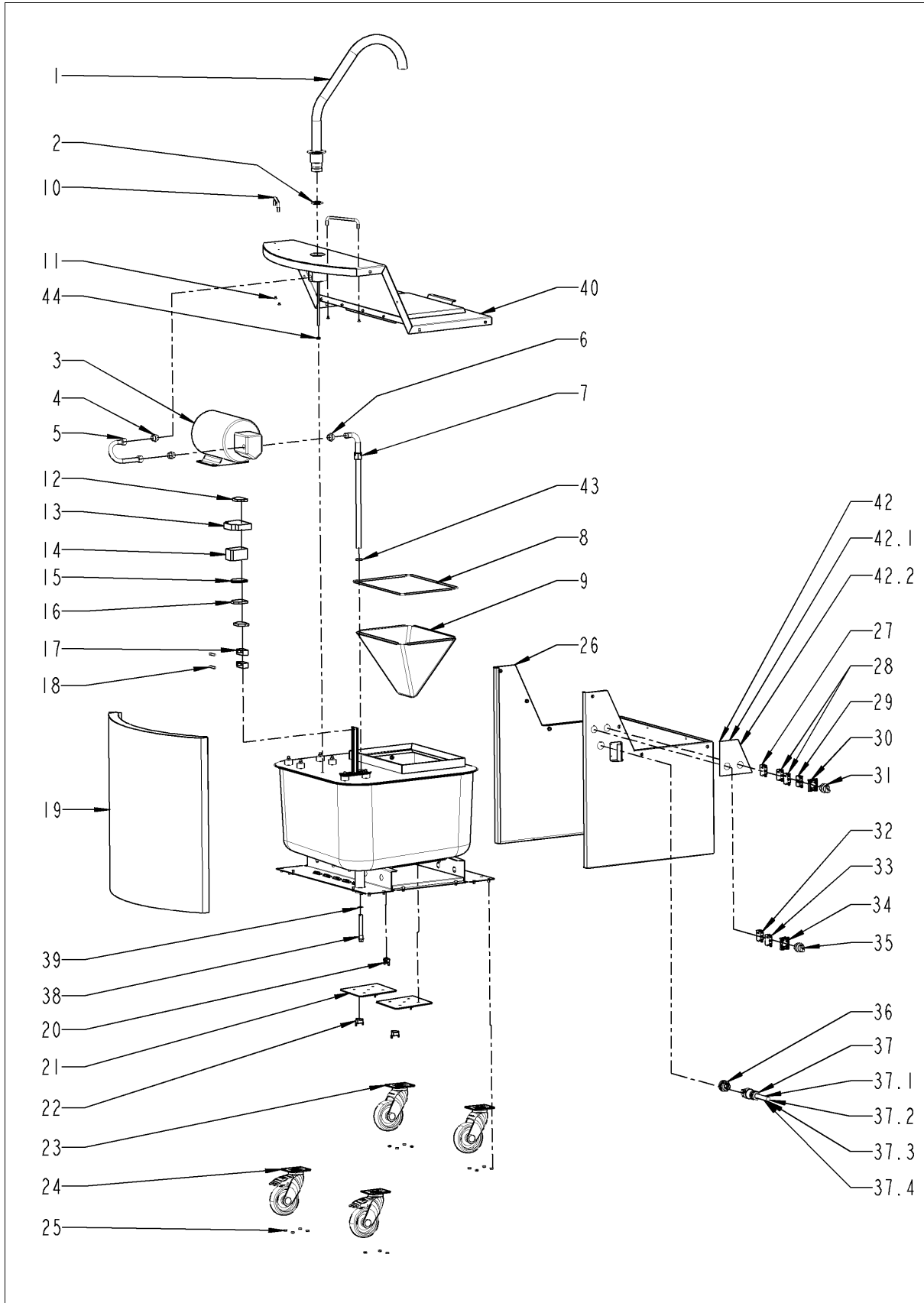
Oil cart



Oil cart

Pos.	Part no.	Description	Qty.
1	82.00.247	Kit filling pipe	1
1.01	82.00.674P	Filling pipe for 100mm extension	1
2	82.00.240	O-ring 34x3	1
3	82.00.235	Kit pump	1
4	82.00.243	Hex double nipple G 3/8"	2
5	82.00.291	Flexible pipe 350mm for oil trolley	1
6	82.00.268	Hex nipple M3/8"-F1/4"	1
7	82.00.246	Suction pipe complete	1
8	60.71.850	Support of oil filter	1
9	60.71.599	Oil filter	1
10	2610.400279F	Handle	1
11	1004.0665F	Allen screw M4x6	2
12	82.00.250	End plate for mounting rail	2
13	82.00.254	Timing relay	1
14	40.02.917	Contacto 3TG1010-2AK2	1
15	82.00.248	Terminal block 4mm ²	1
16	82.00.249	Terminal block 4mm ² blue	1
17	82.00.251	Fuse holder	2
18	4001.0226V	Fuse 6.35x32mm 16A, time-lag	2
19	82.00.288	Round panel	1
20	40.02.337	Safety temperature limiter 215°C	1
21	82.00.265	Kit heating element	1
22	82.00.261	Klixon 240°	2
23	82.00.230	Castor without brake	2
24	82.00.231	Castor with brake	2
25	1105.0121V	Hex combination nut M5 galv	16
26	82.00.289	External panel	1
27	82.00.259	Contact NC	1
28	82.00.258	Contact NO	2
29	82.00.260	Blue Led indicator	1
30	82.00.257	Adaptator for contact element	1
31	82.00.255	Selector 2 positions lighted	1
32	82.00.258	Contact NO	1
33	82.00.259	Contact NC	1
34	82.00.257	Adaptator for contact element	1
35	82.00.256	Selector 3 positions spring return	1

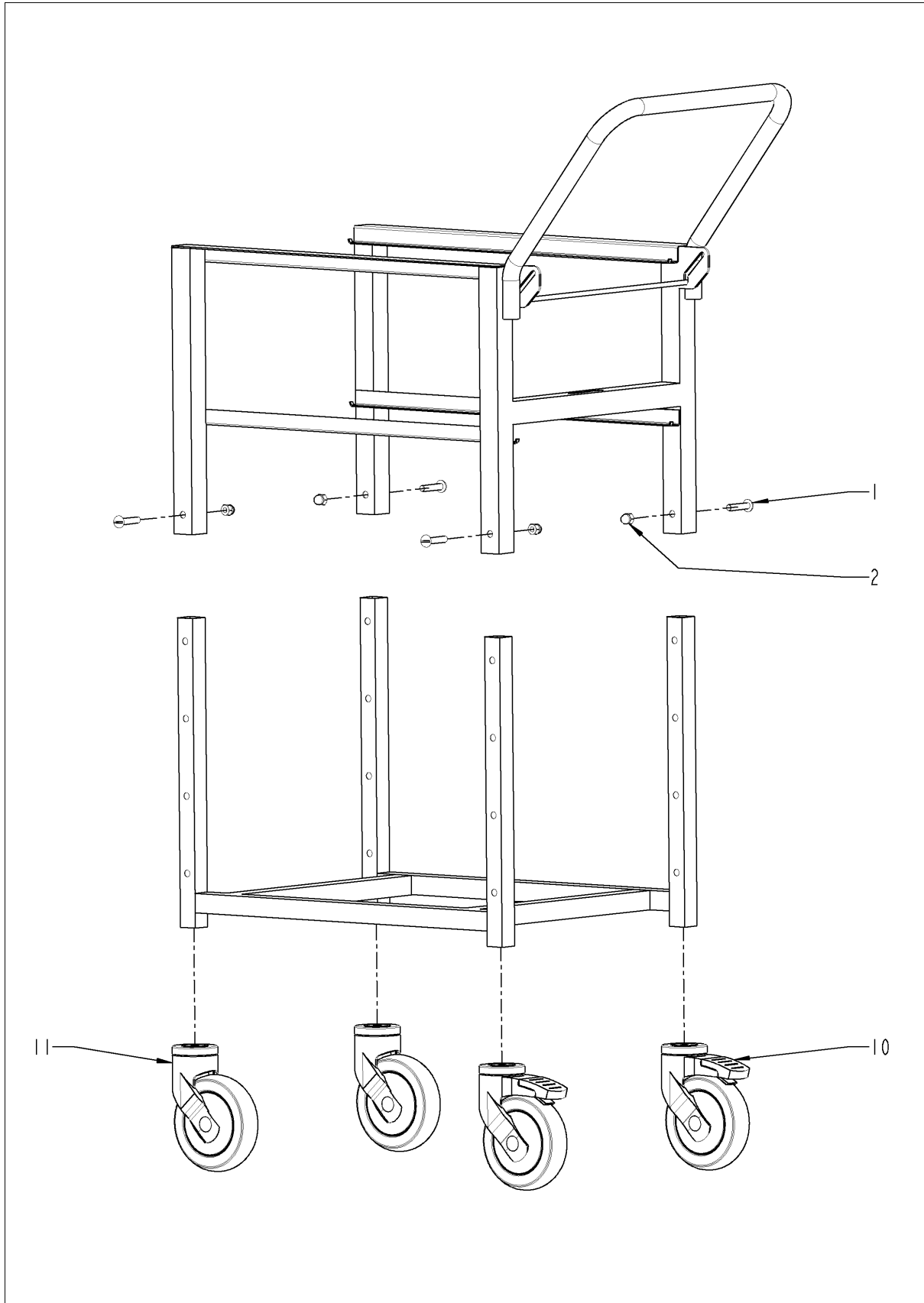
Oil cart



Oil cart

Pos.	Part no.	Description	Qty.
36	82.00.300	Connector for socket-outlet	1
37	40.04.518	Spiral cable FR/DE	1
37.1	40.04.519	Spiral cable UK	1
37.2	40.04.520	Spiral cable CH	1
37.3	40.04.522	Spiral cable AUS	1
37.4	40.04.521	Spiral cable DK	1
38	60.74.412	Drain plug oil reserve	1
39	60.99.244	Drain plug gasket	1
40	60.71.704	Lid complete oil cart	1
41	82.00.617	Insulation set for oil cart	1
42	82.00.363	Overlay FRIMA oil cart	1
42.1	60.74.940	Overlay RATIONAL oil cart	1
42.2	82.00.234	Overlay OEM oil cart	1
43	40.03.330P	Cable grommet Ø16	1
44	40.03.331P	Cable grommet Ø10	1

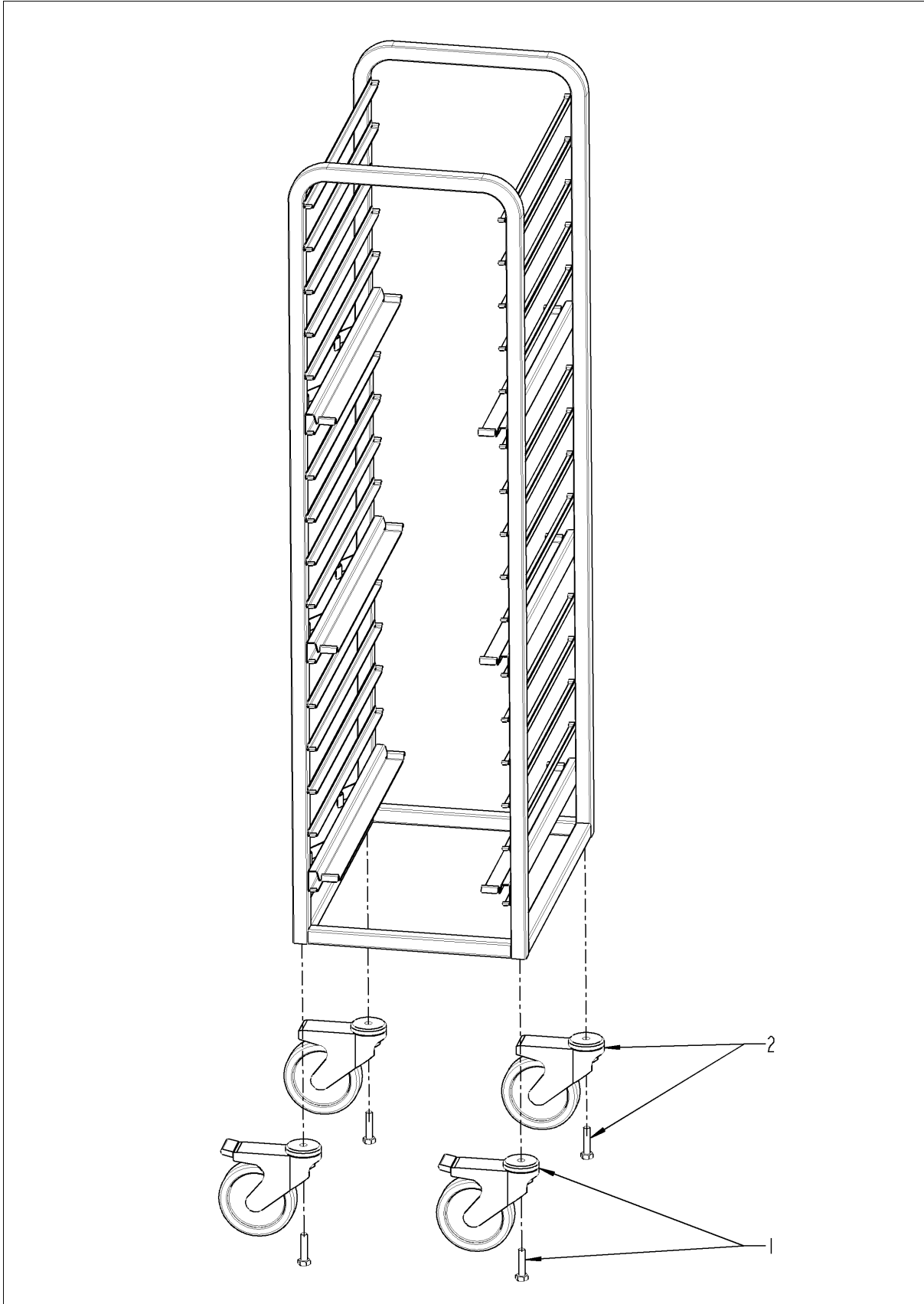
VarioMobil



VarioMobil

Pos.	Part no.	Description	Qty.
1	10.01.377P	Round head screw 8x38	4
2	10.00.175P	Cap nut M5	4
10	60.60.667S	Castor with brake ø125mm, screw M10 and M12	2
11	60.60.666S	Castor without brake ø125mm, screw M10 and M12	2

Basket cart



Basket cart

Pos.	Part no.	Description	Qty.
1	60.71.146	Castor with brake ø125mm, screw M12	2
2	60.71.147	Castor without brake ø125mm, screw M12	2

iVario® ab 03/2020 Pro 2-S (112) - 2 x 19 dm², 2
E11PK1905



Repair and retrofit kit

Repair and retrofit kit

Pos.	Part no.	Description	Qty.
1	87.01.813S	Kit connection to energy optimiser	1
2	87.01.643S	Retrofit kit interface Ethernet	1
3	87.01.821S	Potential free contact adapter kit	1
4	87.01.833S	Hand shower removal kit	1
5	87.01.848S	Retrofit kit lockable control panel RATIONAL	1
6	87.01.817S	Differential Switch-Adapter-Kit "Australia"	1
6	87.01.819S	Differential Switch-Adapter-Kit	1
10	87.01.783S	Repair kit for technical box thread	1
11	87.01.822S	Control panel fixing repair kit	1
12	87.01.875S	Loudspeaker kit SL70 8W	1
13	87.01.876S	CPU fan retro fit kit	1
14	87.01.864S	Pressure sensor grounding kit	1

Index

Part no.	Description	Page
50.02.337P	3/4" gasket 3mm thick	9
20.02.199S	Actuation for pan valve	23
20.01.030S	Actuation for pan valve	25
82.00.257	Adaptator for contact element	37
12.01.290P	Adjustable foot	33
12.02.423S	Adjustable rear foot 45mm with locking clip	27
50.02.319P	Aerator service key	29
50.02.248S	Aerator with service key	15
1004.0665F	Allen screw M4x6	37
52.00.017P	Angle plug PS3 6-6-90°	9, 13
24.04.882S	Axis Autolift	19
82.00.260	Blue Led indicator	37
60.31.359P	Bottom plate for a height-adjustable substructure	35
20.03.650S	Bowden cable pan right	25
40.06.103P	Bus cable 0,7m	5
40.07.161P	Bus cable extender W66	35
40.06.760P	Cable control pcb - capacitive switch	5
40.06.569P	Cable CPU - TFT	5
40.03.331P	Cable grommet Ø10	39
40.03.330P	Cable grommet Ø16	39
10.01.862P	Cage nut M5 for 1.7 up to 2.5mm	5, 27
10.02.227P	Cap for T25 Torx screws	27
10.00.175P	Cap nut M5	41
1106.0360P	Cap nut M6, high shape	33
82.00.231	Castor with brake	37
60.74.681P	Castor with brake ø125mm	33
60.60.667S	Castor with brake ø125mm, screw M10 and M12	41
60.71.146	Castor with brake ø125mm, screw M12	43
82.00.230	Castor without brake	37
60.74.680P	Castor without brake ø125mm	33
60.60.666S	Castor without brake ø125mm, screw M10 and M12	41
60.71.147	Castor without brake ø125mm, screw M12	43

Index

Part no.	Description	Page
12.02.684P	Central cover for rear technical compartment	27
12.02.979P	Chassis central	27
10.02.229P	Circlips Øint 5mm	33, 35
10.02.313P	Clamp 21,8-27	13
50.00.156P	Clamp f. hand shower roll guide	9
20.03.324P	Clip of pan side panel	23, 25
42.00.351P	CO61 module carrier	35
10.01.851P	Collar nut M8 locking teeh	19, 27
20.03.696P	Connecting link ISO06B-1 Form E	23, 25
40.06.765P	Connection cable CO61 - RS232 converter	35
87.01.615S	Connection pipe hand shower roll guide	9
82.00.300	Connector for socket-outlet	39
16.03.859P	Console panelling	11, 27
82.00.259	Contact NC	37
82.00.258	Contact NO	37
40.02.917	Contactora 3TG1010-2AK2	37
40.07.420P	Contactora K3-18NBV10 190R T B01 AZ	7
12.02.902P	Contactora support	7
54.01.880P	Control chamber	13
40.06.091P	Control harness	7
87.01.822S	Control panel fixing repair kit	45
16.03.565P	Control panel RATIONAL	5
42.00.251P	Control pcb (w/o SD-Card)	5
87.00.674	Conversion kit heating element 2287W 230V	23, 25
42.00.344P	Converter holder part 1	35
42.00.375P	Converter protection cover	35
40.06.806S	Cooling fan	7
10.01.923P	Counter head screw M5x45 DIN965-H	11
10.02.080P	Countersunk screw DELTA PT 50*16 T+25 A2	27
24.04.711P	Cover for pressure connection	15
12.02.159P	Cover left - right for rear technical compartment	27
87.01.876S	CPU fan retro fit kit	45

Index

Part no.	Description	Page
10.01.912P	Crosshead screw M5x12	27, 35
40.06.763P	Cylinder connection cable to CO61 module	35
10.01.878P	Cylinder head screw torx M5x10	27
10.01.826P	Cylinder head screw torx T40 M8x30	17
16.03.756P	Dial f. pulse generator	5
87.01.819S	Differential Switch-Adapter-Kit	45
87.01.817S	Differential Switch-Adapter-Kit "Australia"	45
54.01.899P	Discharge pipe 2xØ22/Ø40	13
42.00.287P	Display *TFT*	5
40.06.427P	Double level terminal block 10mm ² blue	7
40.04.643P	Double level earth terminal 10mm ² yellow/green	7
54.01.997S	Drain hose	13
54.01.982S	Drain hose cover right - control chamber	13
54.01.981S	Drain hose left cover - control chamber	13
60.99.244	Drain plug gasket	39
60.74.412	Drain plug oil reserve	39
60.76.712P	Drawer rail	33
W24001	Dynamometric screwdriver 4Nm	29
50.02.087P	Elbow fitting 3/4" M/F	9
12.02.623P	Electric circuit board support	27
42.00.322P	Electronic noise filter	7
50.01.670P	Elbow stainless 90° Ø22x1	13
40.07.120P	End flask for block APFN 6 D1/2/35	7
4001.1203P	End plate for mounting rail	7
82.00.250	End plate for mounting rail	37
87.01.590S	Extension 90mm for rear foot	27
82.00.289	External panel	37
60.74.853P	Eye socket with threaded shank M8x20	35
87.01.617S	Filling nozzle left cover	15
87.01.618S	Filling nozzle right cover	15
82.00.674P	Filling pipe for 100mm extension	37
12.02.450P	Fixing device for Ethernet connector	27

Index

Part no.	Description	Page
10.01.339P	Fixing Elastomer	7
50.02.325P	Fixing nut 3/4"	9
20.02.588S	Fixing plate lever pan	19
54.01.962P	Flat gasket 20x13,5x2mm	15
54.02.056P	Flexible drain pipe DN50	35
82.00.291	Flexible pipe 350mm for oil trolley	37
60.75.807P	Foam support	27
12.02.707P	Front foot 45mm	27
87.01.591S	Front foot 90mm	27
16.03.791P	Front panel console	11
16.03.878P	Front panel cover for USB assembly	11
4001.0226V	Fuse 6.35x32mm 16A, time-lag	37
82.00.251	Fuse holder	37
50.02.351P	Gasket 26.8x38.8x3mm	9
20.03.705P	Gasket for lid locking assembly	23, 25
20.00.992P	Gasket for plug pan valve	23, 25
12.02.434P	Gasket for rear technical compartment cover	27
87.01.774S	Gasket kit for control panel cable	5
87.01.539S	Gaskets and shims for cover locking	23, 25
20.01.518P	Graphit plate for safety temperature limiter	23, 25
87.01.833S	Hand shower removal kit	45
52.00.127S	Hand shower black	9
52.00.085P	Hand shower roll guide	9
52.00.094P	Hand shower roll guide water supply	9
2610.400279F	Handle	37
40.06.028P	Heat sink 1 SSR	7
82.00.268	Hex nipple M3/8"-F1/4"	37
1105.0121V	Hex combination nut M5 galv	37
82.00.243	Hex double nipple G 3/8"	37
1010.0761P	Hex screw M10x30	33
10.01.808P	Hex socket countersunk head screw M5x16	15, 23, 25
10.01.479P	Hex socket set screw cup point A2 M8x35 Tuflok	19

Index

Part no.	Description	Page
10.01.054P	Hexagonal nut with notched flange M5	13, 27, 35
10.01.979P	Hexagonal nut with notched flange M5 Tuflock	23, 25
10.02.121P	Hexagonal spacer M4x40	35
42.00.342P	Holder for module CO61	35
10.01.789P	Hose clamp clic 462640265B	15
10.01.132P	Hose clamp clic R86-140	15, 17
10.02.239P	Hose clamp clic R86-145	9, 13
10.01.129P	Hose clamp clic R96-245	17
10.01.446P	Hose clamp clic R96-300	13
10.02.238P	Hose clamp clic R96-315	13
2066.0522P	Hose clamp ø 31,3 mm	13
24.04.874S	Hose for control box	9
16.04.064P	Inner protective cover of the control panel	5
24.03.863P	Inspection cover for lid	15
12.02.769P	Installation rail for Contactor Din 46277	7
82.00.617	Insulation set for oil cart	39
40.06.732P	Interface cable LAN 2,3m	5, 7
40.06.583P	Interface cable USB 1,4m	5, 11
40.06.327P	Interface LAN IPX6	7, 27
24.04.307P	Jack gas 900N	19
87.01.813S	Kit connection to energy optimiser	45
82.00.247	Kit filling pipe	37
82.00.265	Kit heating element	37
87.01.777S	Kit pan left with pressure	23
87.01.778S	Kit pan right with pressure	25
82.00.235	Kit pump	37
82.00.261	Klixon 240°	37
87.01.563S	Left module for sensors	15
20.03.564P	Left pan front panel	23
20.02.937S	Left pan shaft	19
24.04.424S	Lid bearing with sealing ring	19
60.71.704	Lid complete oil cart	39

Index

Part no.	Description	Page
24.04.951P	Lid gasket	15
24.03.474P	Lid left	15
87.01.564S	Lid locking assembly	23, 25
24.04.707P	Lid retaining washer	17
24.03.481P	Lid right	15
24.03.808S	Lift arm for lid left	19
24.04.148S	Lift arm for lid right	19
20.02.872S	Lift arm for pan	19
87.01.759S	Lifting cylinder for height adjustable substructure	35
20.03.678P	Lifting cylinder for pan and lid	19
54.01.935P	Lip seal D40	13
24.04.432P	Locking orifice plug	15
54.02.053P	Locking ring	13
40.06.076P	Loudspeaker cable	5
40.06.728P	Loudspeaker K 64 WPTR	5
87.01.875S	Loudspeaker kit SL70 8W	45
24.02.804P	Magnet 22x10mm	11
40.06.458P	Magnetic contact	23, 25
20.03.649S	Magnetic contact support	23, 25
20.03.626S	Master-slave locking system rigidifying piece	23, 25
40.07.165S	Meat probe sensor	15
40.07.164S	Meat probe sensor, right lid	15
87.01.758	Memory-Stick USB iVario	29
42.00.359P	Micro SD card	5
40.06.709P	Micro switch bundle lid up S10/S12 X150	7
40.06.710P	Micro switch bundle lifting cylinder left S23/S24 X138	7
40.06.711P	Micro switch bundle lifting cylinder right S29/S30 X138	7
40.04.656P	Micro switch NC, NO with strip	7, 19
42.00.305S	Module CO61	35
20.03.265P	Mounting angle for pan panel	23, 25
82.00.240	O-ring 34x3	37
10.00.675P	O-ring f. pan valve 17.3 x 2.4	23, 25

Index

Part no.	Description	Page
54.02.082P	O-ring for ball valve 21,5 x 3	15
60.71.599	Oil filter	37
16.04.204S	On-Off sensor support	5
1008.0768P	Ornamental screw M8x16	19
12.02.157P	Outer bearing for lid left	27
12.02.397P	Outer bearing for lid right	27
82.00.363	Overlay FRIMA oil cart	39
82.00.234	Overlay OEM oil cart	39
60.74.940	Overlay RATIONAL oil cart	39
54.01.996S	Pan drain pipe	13
24.04.817S	Pan filling hose left	9
24.04.871S	Pan filling hose right	9
10.01.842P	Pan head screw Torx Ejot PT WA5463 60x1,8x18	27
10.01.778P	Pan head screw Torx M4x16	35
10.01.615P	Pan head screw Torx M5x16	11
10.01.776P	Pan head screw Torx T20 M4x12	35
10.00.061P	Pan head screw Torx T20 M4x12	35
10.01.616P	Pan head screw Torx T40 M8x16	19, 27, 35
20.03.472P	Pan insulation	23, 25
20.03.248S	Pan shaft right	19
20.03.450S	Pan valve cable pan left	23
60.75.429S	Plastic foot adaptor for substructure	33
10.01.336P	Plastic spacer 7mm 12	7
20.01.712S	Plug for pan valve with gasket	23, 25
50.00.085P	Plug-in spring f. hand shower roll guide	9
87.01.821S	Potential free contact adapter kit	45
40.06.499P	Power + bus cable for height-adjustable substructure	35
40.05.944P	Power harness heating element pan left	23
40.05.945P	Power harness heating element pan right	25
40.06.712P	Power supply	7
12.02.847P	Power supply support	7
87.01.837S	Pressure control valve	15

Index

Part no.	Description	Page
54.01.771P	Pressure sensor	15
87.01.864S	Pressure sensor grounding kit	45
54.01.751S	Pressure switch 20 mbar	15
54.01.878S	Pressure switch 350 mbar	15
10.01.906P	Printed circuit board holder, clip-on H=6mm	7
42.00.356P	Protection board for socket outlet protection	11
12.02.408P	Protection for lid outer bearing	27
40.00.404P	Pulse generator	5
10.02.263P	Raised countersunk head screw Torx M4x10 T20	7
12.02.088P	Rear technical compartment	27
16.03.552P	Rear technical compartment cladding	27
42.00.311P	Relay-I/O pcb A10	7
87.01.783S	Repair kit for technical box thread	45
60.75.425P	Retractable shelf	33, 35
87.01.643S	Retrofit kit interface Ethernet	45
87.01.848S	Retrofit kit lockable control panel RATIONAL	45
87.01.562S	Right module for sensors	15
20.03.566P	Right pan front panel	25
60.70.131P	Roller 25/6.5 HM5 stainless steel	33, 35
10.01.377P	Round head screw 8x38	41
82.00.288	Round panel	37
42.00.352P	RS232 converter for adjustable height	35
40.04.501P	Safety temperature limiter 130°	23, 25
40.04.512P	Safety temperature limiter 205°C	23, 25
40.02.337	Safety temperature limiter 215°C	37
40.04.370P	Safety temperature limiter heating element	23, 25
40.02.594P	Screwed cable gland PG 29	7, 27
20.02.940P	Sealing ring for pan shaft	19
60.75.016P	Securing device for discharge pipe	27
82.00.255	Selector 2 positions lighted	37
82.00.256	Selector 3 positions spring return	37
42.00.346P	Sensor on / off	5

Index

Part no.	Description	Page
20.02.130S	Shaft jack	19
24.04.155S	Shaft jack D8 with staple pin	19
20.00.905S	Sheath for pan valve	23, 25
40.06.762P	Short power supply cable height adjustable cylinder	35
16.04.236P	Shutter sticker option without differential protection	11
60.76.630S	Side hatch for substructure box	35
20.02.943P	Side panel left of pan left	23
20.02.949P	Side panel left of pan right	25
20.02.935P	Side panel right for pan left	23
20.02.950P	Side panel right of pan right	25
24.04.940P	Silicon hose ø10x3mm	13, 15, 17
12.02.643P	Slides linkage	27
10.01.669P	Slot counter head secur screw M5X20 Phillips	11, 27
40.01.410P	Socket 2P+T 16A (Germany)	11
10.00.144P	Socket cap screw M3x16mm	7
16.03.997P	Socket flap	11
40.05.670P	Solid state relais	7
2039.0326V	Spacer for pcb	33, 35
12.02.472P	Spacer for rear technical compartment	27
20.01.508P	Spacer for safety temperature limiter	23, 25
10.01.907P	Spacer Ø int = 3,2mm, H = 6mm	7
40.04.522	Spiral cable AUS	39
40.04.520	Spiral cable CH	39
40.04.521	Spiral cable DK	39
40.04.518	Spiral cable FR/DE	39
40.04.519	Spiral cable UK	39
60.31.542S	Stainless steel substructure foot	33
60.30.928P	Stop for retractable shelf	33, 35
82.00.246	Suction pipe complete	37
60.71.850	Support of oil filter	37
60.74.713S	Telescopic foot	35
82.00.248	Terminal block 4mm ²	37

Index

Part no.	Description	Page
82.00.249	Terminal block 4mm ² blue	37
40.06.252P	Termination resistor	7
87.00.339	Thermocouple for heating element	23, 25
40.05.931P	Thermocouple harness left and right	23, 25
40.06.857S	Thermocouple pan left	23
40.06.858S	Thermocouple pan right	25
82.00.254	Timing relay	37
50.02.055P	Triple solenoid valve block with flowmeter	9
40.06.045P	USB socket cover	11
20.03.466P	V-profile gasket	23, 25
1900.0202P	Water filter	9

