

Apach
COOK *line*

Viale Europa, 24 - 37045 S.PIETRO DI LEGNAGO (VR) - ITALY

EAC

**SPARE PARTS CATALOGUE
ERSATZTEILKATALOG
CATALOGUE PIECES DETACHEES
CATALOGO PARTI RICAMBIO
CATALOGO DE PIEZAS DE RECAMBIO
CATALOGO PECAS, DE REPOSICAO**

Catalogo parti di ricambio valido
dalla matricola 4348794 ad oggi (19/08/2020)

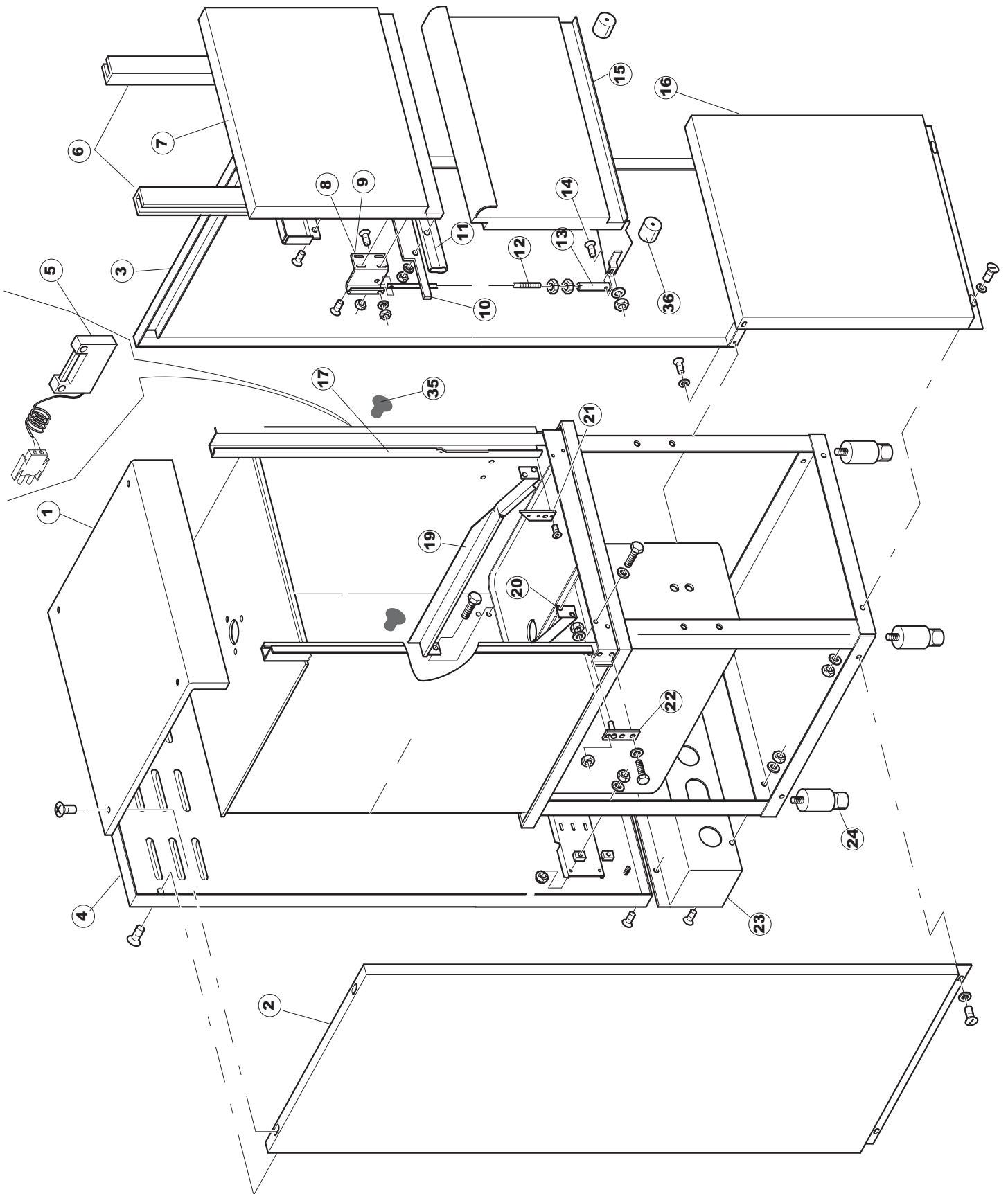
Catalogue pieces detachees
du numero de Série n. 4348794 jusqu'à aujourd'hui (19/08/2020)

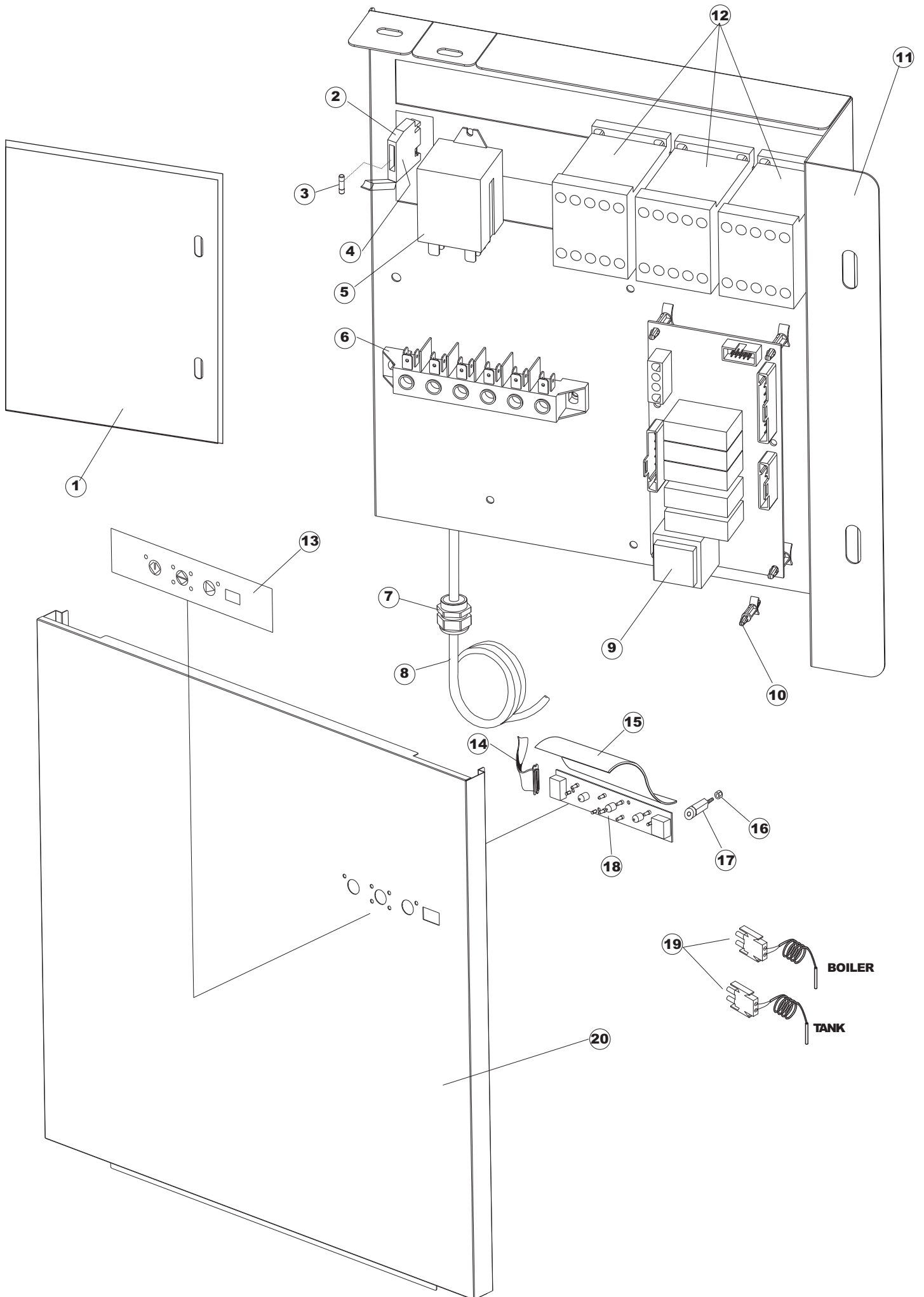
Ersatzteilkatalog
gültig ab Serien-Nr. 4348794 bis heute (19/08/2020)

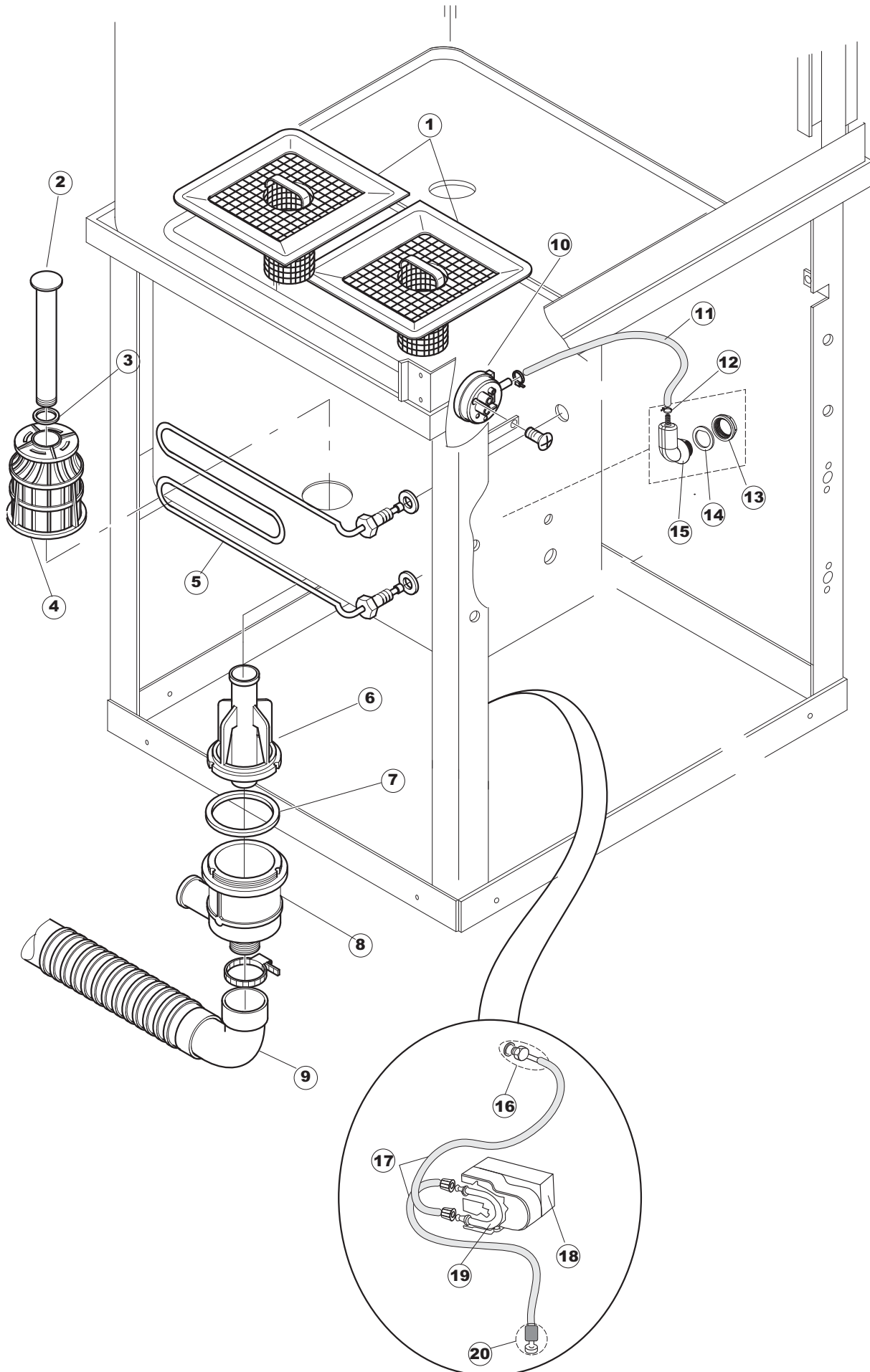
Spare parts catalogue
valid from serial no. 4348794 up today (19/08/2020)

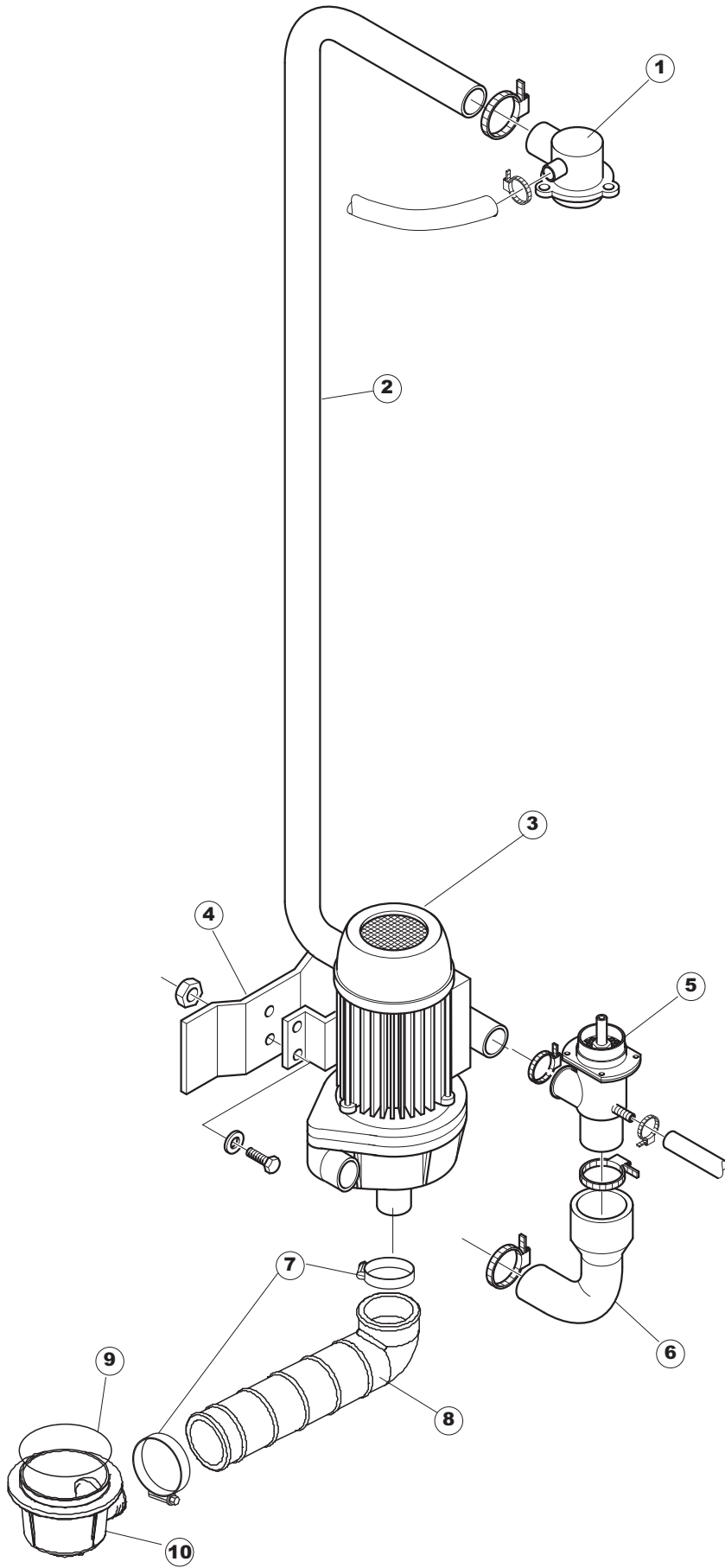
Catálogo de peças de reposição
válido do número de série 4348794 até hoje (19/08/2020)

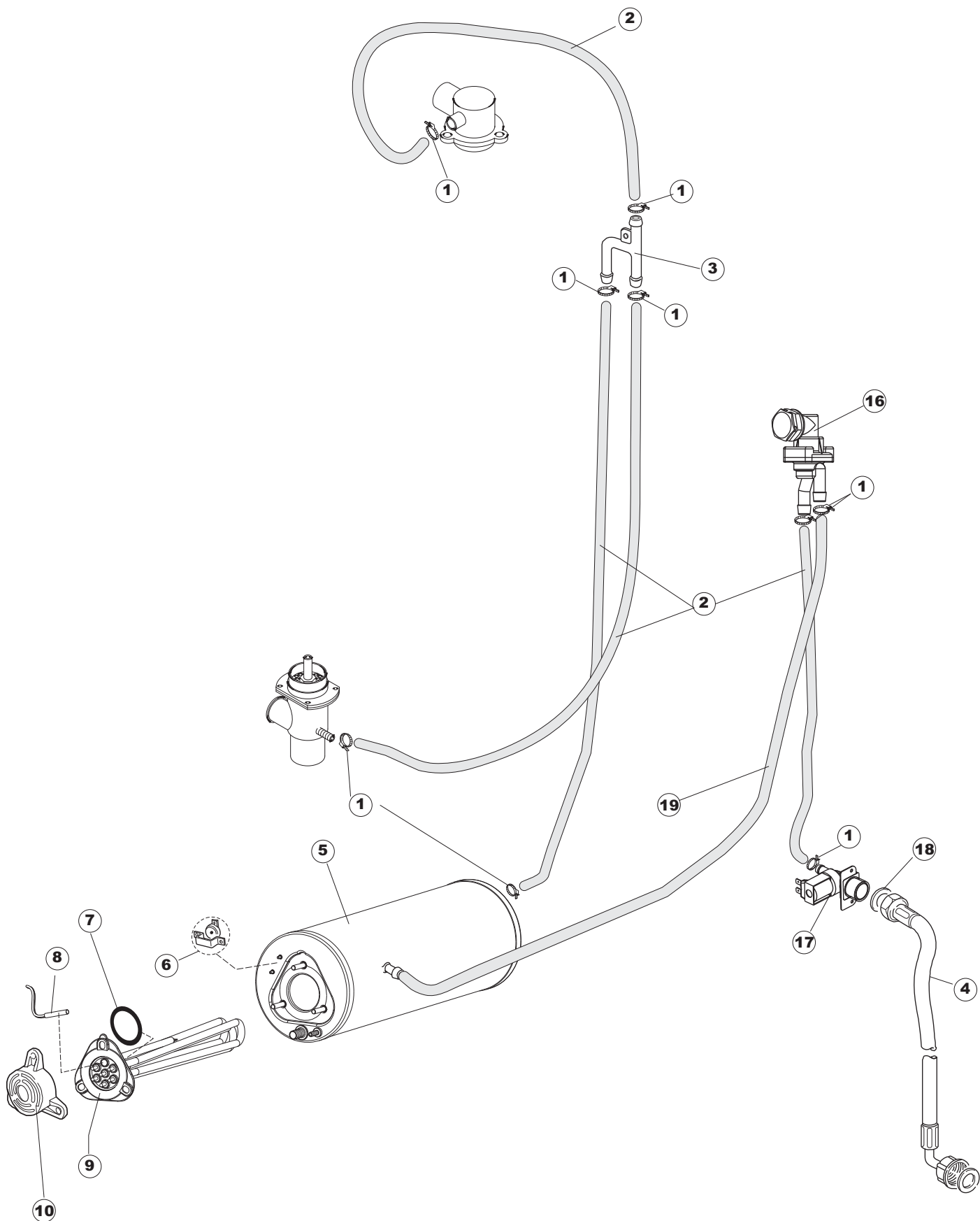
AK901

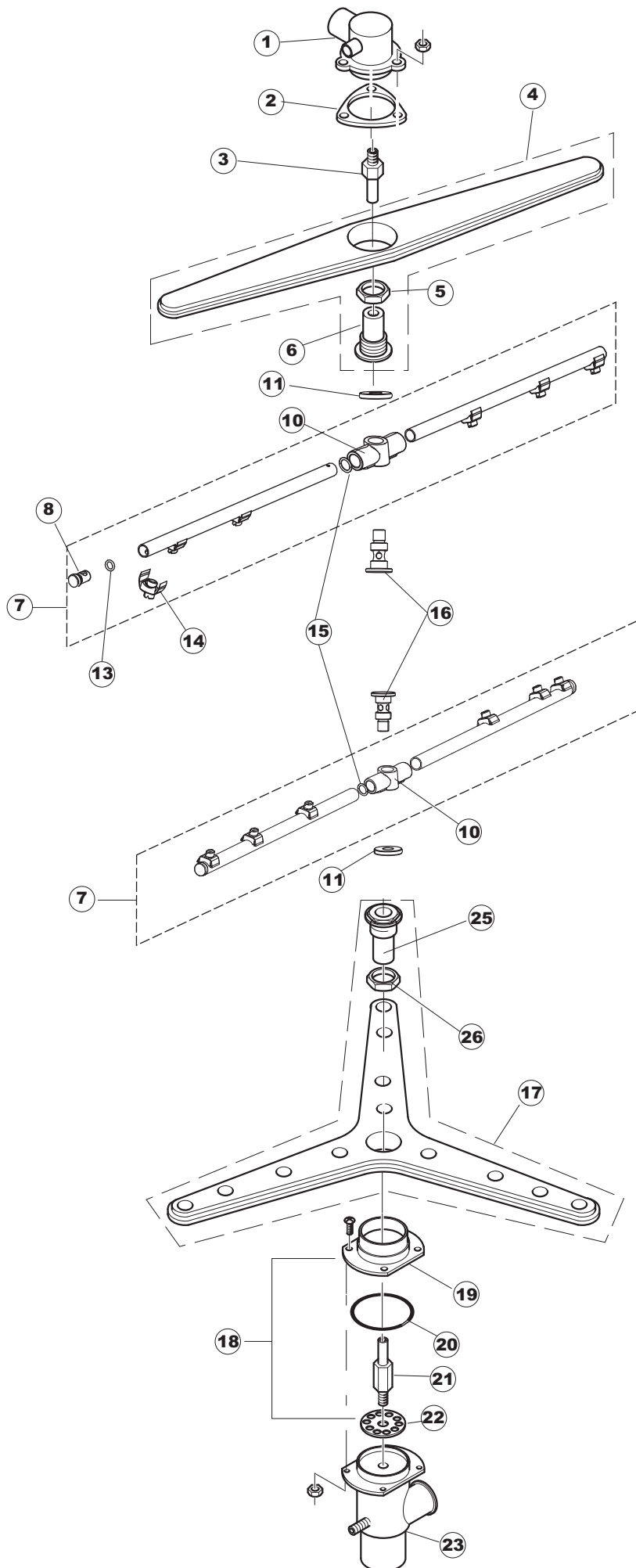


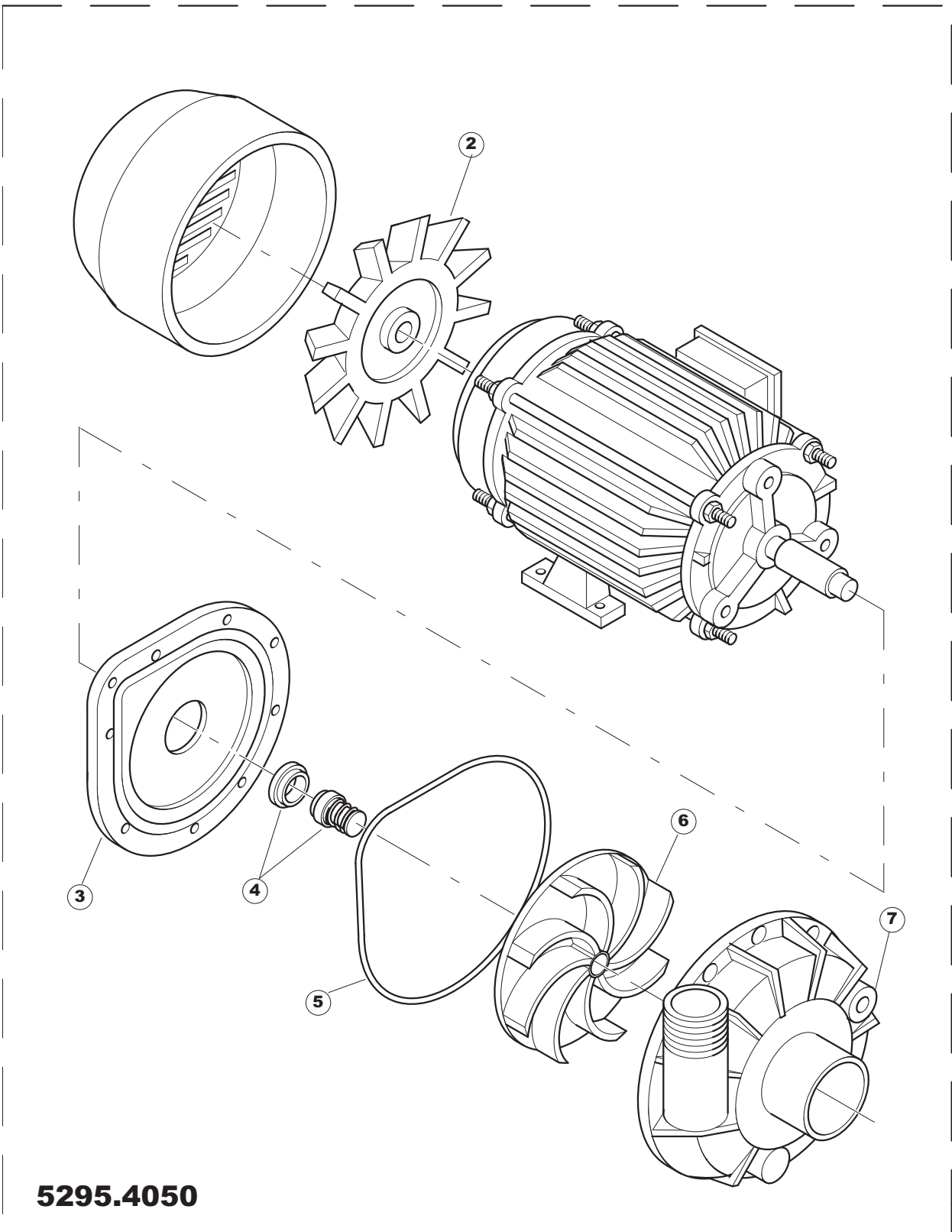












1

(*) Recommended spare part.

Page	Spare part position	Spare part code no.	Old code number	Description	U.m.
1	1	41118	C.41118	TOP PANEL	NR
1	2	41810		LEFT SIDE PANEL	NR
1	3	41814		RIGHT SIDE PANEL	NR
1	4	41122	C.41122	BACK PANEL	NR
1	5	80871		MAGNETIC DOOR SWITCH	NR
1	6	41038	C.41038	DOOR SLIDING GUIDE - UPPER FOR POT AND P AN WASHER	NR
1	7	41580		UPPER DOOR	NR
1	8	4108701	C.4108701	DOOR BRACKET	NR
1	9	4108801	C.4108801	SUPPORT BRACKET	NR
1	10	41582		DOOR PACKING SUPPORT - UPPER	NR
1	11	41583		DOOR GASKET	NR
1	12	4109301	C.4109301	DOOR TIE FOR POT AND PAN WASHERS	NR
1	13	41095	C.41095	UPPER BUSH FOR DOOR TIE FOR POT AND PAN WASHERS	NR
1	14	486078	CVI173	STAINLESS STEEL SCREW 6MAX30 T.1/2 TC	NR
1	15	41570		LOWER DOOR	NR
1	16	41327		FRONT PANEL	NR
1	17	929199	CWP25	FOOT TYPE 30191.1.2 (BLACK)	NR
1	18	41059	C.41059	SPLASH PROTECTION	NR
1	19	41539		RACK SLIDE	NR
1	20	41539		RACK SLIDE	NR
1	21	4113501	C.4113501	DOOR SIDE THICKNESS - DX/SX	NR
1	22	4114501	C.4114501	SMALL PLATE FOR DOOR PIN	NR
1	23	41622		BACK PANEL	NR
1	24	927006	DWP127	FOOT	NR
1	35	929199	CWP25	FOOT TYPE 30191.1.2 (BLACK)	NR
1	36	41100		DOOR BEATING POINT BUFFER	NR
2	1	41118	C.41118	TOP PANEL	NR
2	2	74935		FUSE-HOLDER	NR
2	3	228004		FUSE	NR
2	4	H.228048		PLUG	NR
2	5	929115	DER1108	RELAY 16A 230V	NR
2	6	220011	REB220011	TERMINAL BLOCK	NR

(*) Recommended spare part.

Page	Spare part position	Spare part code no.	Old code number	Description	U.m.
2	7	DEP521		CABLE GLAND	NR
2	8	80997		POWER CABLE	NR
2	9	215027		MAIN BOARD	NR
2	10	CWP2		FOOT	NR
2	12	73350		CONTACTOR	NR
2	13	41746		NOT IN PRICE-LIST	
2	14	80934		FLAT CABLE	NR
2	15	69810		CURTAIN	NR
2	16	417119		NUT	NR
2	17	419036		INTERFACE BOARD DISTANCE KEEPERS	NR
2	18	227074		CONTROL KEYBOARD	NR
2	19	231016		TEMPERATURE PROBE	NR
2	20	41327		FRONT PANEL	NR
3	1	41257		STAINER	NR
3	2	80250	C.80250	OVERFLOW PIPE	NR
3	3	CGR4131NT		O-RING	NR
3	4	121081	REB121081	STAINER	NR
3	5	70562		HEATING ELEMENT	NR
3	6	80470		RING NUT	NR
3	7	456040	REB456040	O-RING	NR
3	8	136020	REB136020	ASPIRATION AND DRAIN BODY	NR
3	9	143136	REB143136	DRAIN HOSE	NR
3	10	926049	DEP45	PRESSURE SWITCH	NR
3	11	143253		PIPE	MT
3	12	CFF10073		CABLE TIE	NR
3	13	417120		NUT	NR
3	14	437098		GASKET	NR
3	15	70600		AIR TRAP FOR PRESSURE SWITCH	NR
3	16	999348		DETERGENT TANK FITTING	NR
3	17	143194	REB143194	PIPE	MT
3	18	209021		DETERGENT AID PUMP	NR
3	19	143219	REB143219	"SANTOPRENE" PIPE	NR

(*) Recommended spare part.

Page	Spare part position	Spare part code no.	Old code number	Description	U.m.
3	20	121075	REB121075	DETERGENT PUMP FILTER (S6754)	NR
4	1	35604		UPPER MAIN MANIFOLD	NR
4	2	41554		PIPE	NR
4	3	80115		WASHPUMP	NR
4	4	41626		SUPPORT BRACKET	NR
4	5	4206301	C.4206301	LOWER MANIFOLD	NR
4	6	41560		DELIVERY WASH HOSE	NR
4	7	CFS3		CLAMP, HOSE-TYPE TORRO W2B 60-80/12	NR
4	8	80186	C.80186	SUCTION PIPE	NR
4	9	456040	REB456040	O-RING	NR
4	10	136020	REB136020	ASPIRATION AND DRAIN BODY	NR
5	1	927322	CFS14	HOSE CLAMP	NR
5	2	143010	SPG61	RUBBER PIPE 12X19,5	MT
5	3	143268		JUNCTION "Y"	NR
5	4	929169	RAT32	THERMOPLASTIC INLET HOSE	NR
5	5	41389		BOILER	NR
5	6	926189	DRT140	CONTACT SAFETY-THERMOSTAT	NR
5	7	456002	REB456002	O-RING	NR
5	8	231016		TEMPERATURE PROBE	NR
5	9	230083C	REB230083C	HEATING ELEMENT 6KW	NR
5	10	69870		BOILER HEATING ELEMENT PROTECTION	NR
5	16	144010	REB144010	NON RETURN VALVE	NR
5	17	240016	DEV3S16	SOLENOID VALVE	NR
5	18	437041	REB437041	GASKET	NR
5	19	41556		PIPE	NR
6	1	35604		UPPER MAIN MANIFOLD	NR
6	2	437064	REB437064	GASKET	NR
6	3	80282	C.80282	PIVOT	NR
6	4	80311	C.80311	COMPLETE WASH ARM	NR
6	5	80314	C.80314	RING NUT	NR
6	6	80310		GREY WASH ARM HOLDER (RAL 7001)	NR
6	7	41677		COMPLETE RINSE ARM	NR

(*) Recommended spare part.

Page	Spare part position	Spare part code no.	Old code number	Description	U.m.
6	8	926132		PLASTIC RINSE ARM CAP	NR
6	10	69632		BODY ARM	NR
6	11	K80679		RING NUT M12 WITH TEFLON WASHER	NR
6	13	456030		O-RING	NR
6	14	140036		RINSE JET	NR
6	15	456019	REB456019	O-RING	NR
6	16	80644		PIVOT	NR
6	17	929195		COMPLETE WASH ARM	NR
6	18	41064CP	C.41064CP	SUPPORT COUNTER-FLANG OF WASH ARM OF POT AND PAN WASHER	NR
6	19	41064	C.41064	SUPPORT COUNTER-FLANGE OF WASH ARM OF POT AND PAN WASHER	NR
6	20	926252	CGR4275	O-RING	NR
6	21	42053	C.42053	PIVOT	NR
6	22	41185	C.41185	REDUCER FOR POT AND PAN WASHER	NR
6	23	4206301	C.4206301	LOWER MANIFOLD	NR
6	25	926129	DAS258	SUPPORT/HUB FOR WASH-ARM - DISHWASHERS	NR
6	26	80314	C.80314	RING NUT	NR
7	1	80115		WASHPUMP	NR
7	2	80123		NOT IN PRICE-LIST	
7	3	70950		NOT IN PRICE-LIST	
7	4	80121		WASHPUMP SHAFT SEAL	NR
7	5	70949		GASKET	NR
7	6	80119		ELECTROPUMP IMPELLER	NR
7	7	70947		ELECTROPUMP HOUSING	NR