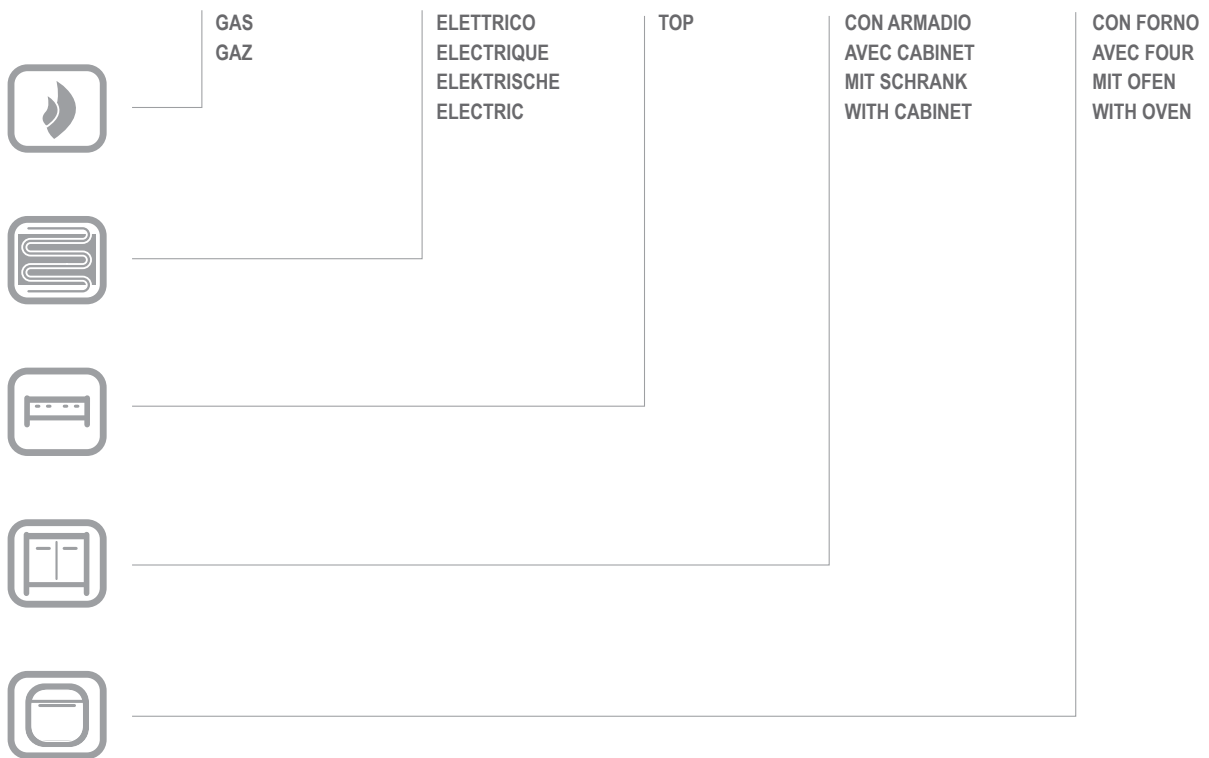




APFE-77P

EF777

CATALOGO PARTI DI RICAMBIO
CATALOGUE PIECES DETACHEES
ERSATZTEILKATALOG
SPARE PARTS CATALOGUE



Catalogo parti di ricambio valido
dalla matricola 1144218 (19.01.2017) ad oggi (20.01.2017)

Catalogue pieces detachees
valable à partir du numero de Série n. 1144218 (19.01.2017) jusqu'à aujourd'hui (20.01.2017)

Ersatzteilkatalog
gültig ab Serien-Nr. 1144218 (19.01.2017) bis heute (20.01.2017)

Spare parts catalogue
valid from serial no. 1144218 (19.01.2017) up today (20.01.2017)

Catálogo de peças de reposição
válido do número de série 1144218 (19.01.2017) até hoje (20.01.2017)

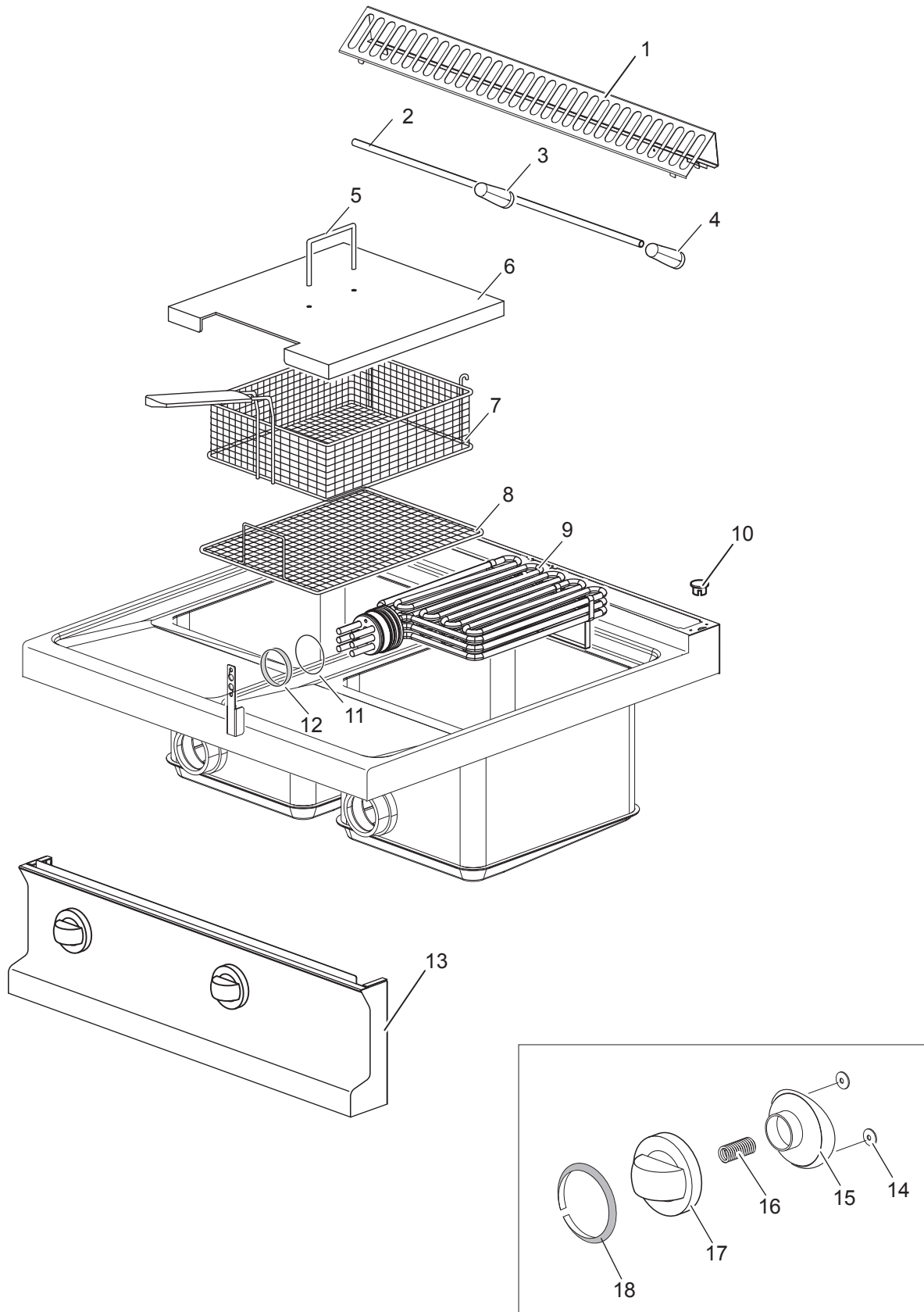
Le informazioni sono considerate non vincolanti. Le immagini rappresentate sono puramente indicative. Il produttore si riserva il diritto di apportare modifiche in qualsiasi momento senza preavviso.

Les informations données ne sont pas contraignantes. Les images montrées sont à titre indicatif. Le producteur se réserve le droit d'apporter des modifications sans préavis.

Die im vorliegenden Dokument aufgeführten Informationen und Bilder sind unverbindlich. Der Hersteller behält sich das Recht vor, jederzeit ohne vorherige Ankündigung Änderungen vorzunehmen

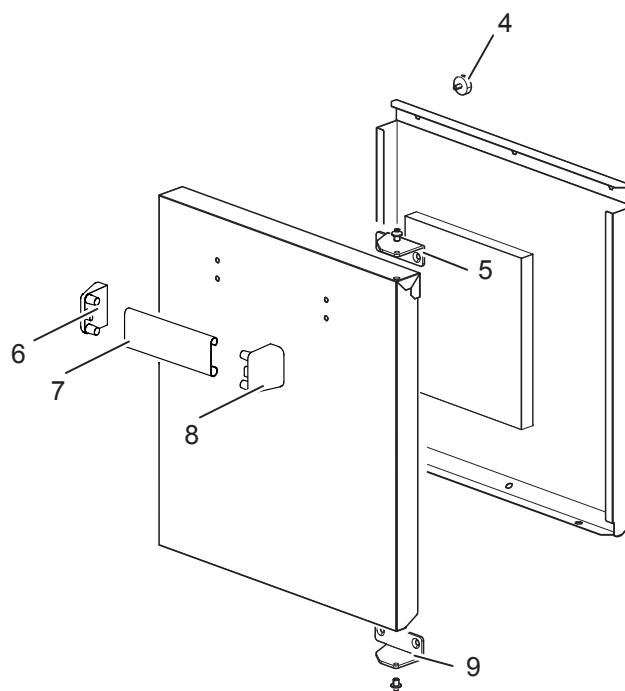
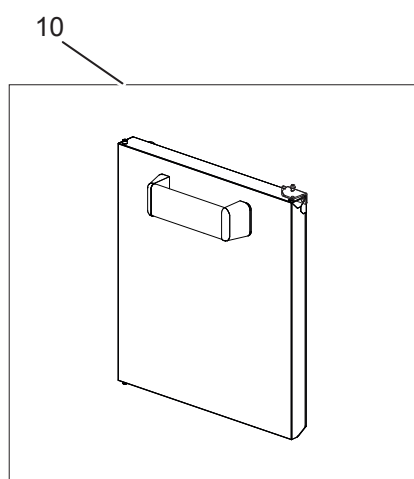
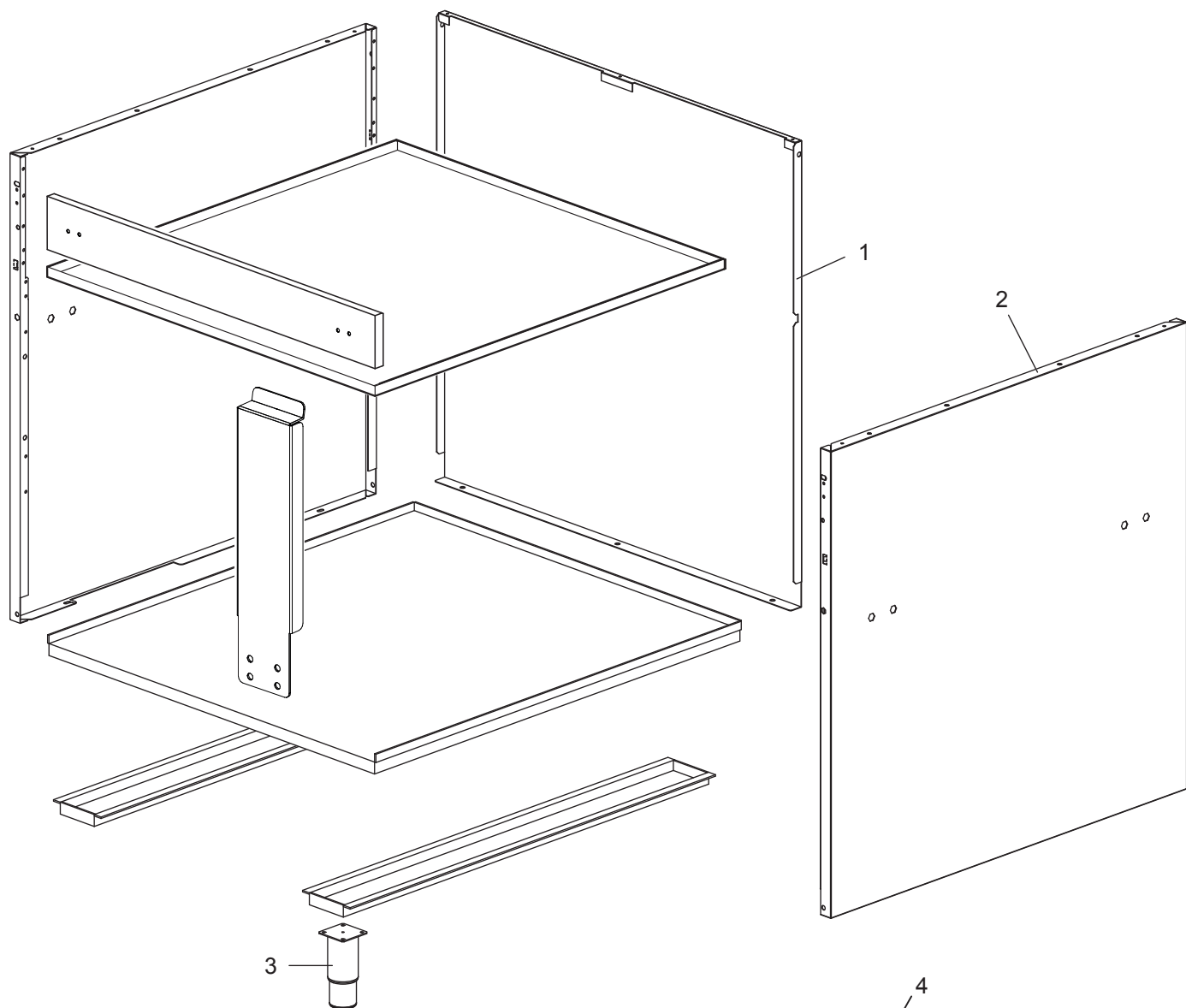
Info and drawing could be slightly different from reality and they cannot be considered as compelling. Manufacturer can modify info anytime without forewarning.

As Informações e desenhos podem estar um pouco diferente da realidade e são puramente indicativas. O fabricante pode modificar estas informações a qualquer momento sem aviso prévio.



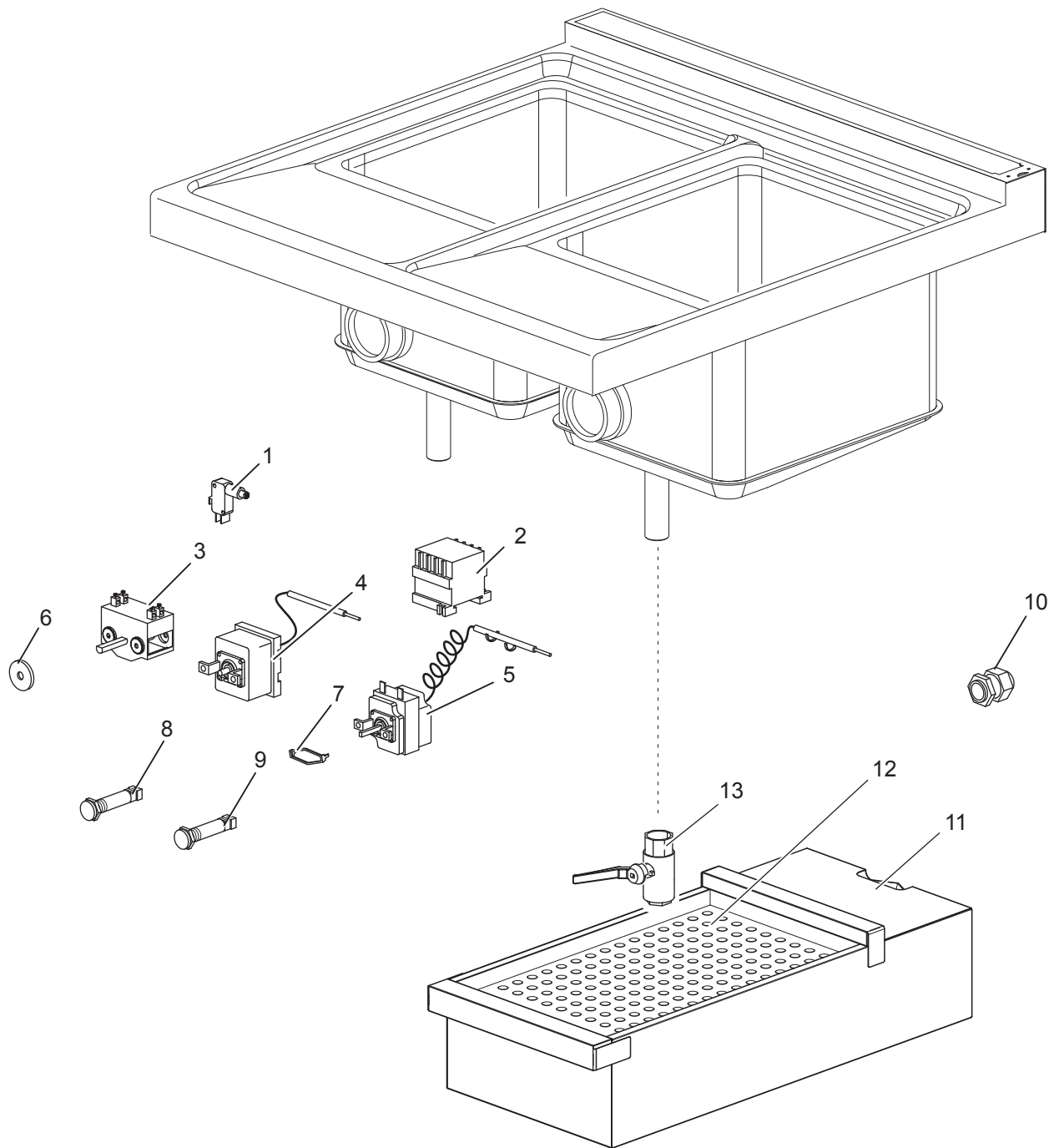
Listino componenti per pagina 1

| | | | |
|----|---|--|--|
| 1 | 184977 | GRIGLIA CAMINO GRILLE POUR CHEMINÉE KAMINROST CHIMNEY GRILL | |
| 2 | 180875 | SQUADRETTA PLAQUE WINKEL PLATE | |
| 5 | RTBF800020 | MANIGLIA MANETTE HANDGRIFF HANDLE | |
| 6 | 166648 | COPERCHIO VASCA COUVERCLE CUVE BECKEN-DECKEL TANK LID | |
| 7 | A770000150 | A770046.CESTELLO X FRIGGITRICE A770046.PANIER X FRITEUSE A770046-OMN, 26x29,5x12cm KORB FUER FRITTEUSE A770046.BASKET FRYER | |
| 8 | RTCU700448 | GRIGLIA SUPPORTO CESTELLO GRILLE SUPPORT PANIER ROST FUER KORBHALTER BASKET SUPPORT GRID | |
| 9 | 180950 <i><u>Recommended spare parts</u></i> | RESISTENZA 9KW RESISTANCE 9KW HEIZKÖRPER 9KW HEATING ELEMENT 9KW | |
| 11 | RTCU700565 <i><u>Recommended spare parts</u></i> | GUARNIZIONE RESISTENZA JOINT POUR RESISTANCE DICHTUNG GASKET FOR HEATING ELEMENT | |
| 12 | RTMIN00283 | SEEGER SEEGER SEEGER SEEGER | |
| 13 | 182581 | CRUSCOTTO PANNEAU DE CONTROLE FRONT BLENDE CONTROL PANEL | |
| 17 | 168878 | CORPO MANOPOLA COMMUTATORE POIGNEE COMMUTATEUR UMSCHALTER-KNOPFKOERPER COMMUTATOR KNOB | |
| 18 | 186403 | ANELLO MANOPOLA TERMOSTATO RING THERMOSTAT KLEBERING KNEBEL THERMOSTAT THERMOSTAT RING | |



Listino componenti per pagina 2

| | | | |
|----|------------|---|--|
| 1 | 167252 | POSTERIORE ARRIERE RÜCKWAND BACK SIDE | |
| 2 | 173523 | FIANCO TOLE LATERAL SEITENWAND LATERAL SIDE | |
| 3 | RTCU700277 | PIEDE PIED FUSS FOOT | |
| 4 | 181529 | ATTACCO MAGNETICO AIMANT MAGNET DOOR MAGNET | |
| 5 | 176894 | CERNIERA SX CHARNIERE PORTE GAUCHE KOMPLETTER SCHARNIERBLOCK LEFT HINGE DOOR | |
| 6 | RTCU800001 | TERMINALE MANIGLIA TÉRMINAL POIGNÉE HANDGRIFFSVERSCHLUSS HANDLE TERMINAL | |
| 7 | 168204 | MANIGLIA MANETTE HANDGRIFF HANDLE | |
| 8 | RTCU800001 | TERMINALE MANIGLIA TÉRMINAL POIGNÉE HANDGRIFFSVERSCHLUSS HANDLE TERMINAL | |
| 9 | 176895 | CERNIERA DX CHARNIERE PORTE DROITE KOMPLETTER SCHARNIERBLOCK RIGHT HINGE DOOR | |
| 10 | RIC0004749 | GRUPPO PORTA ARMADIO PORTE D'ARMOIRE COMPLETE KOMPLETTE SCHRANKTÜR CABINET DOOR COMPLETE | |



Listino componenti per pagina 3

| | | | |
|----|---|---|--|
| 1 | 175286 <i><u>Recommended spare parts</u></i> | MICROINTERRUTTORE MICRO INTERRUPTEUR -UL- MICROSCHALTER -UL- MICRO SWITCH -UL- | |
| 2 | RTFOC00466 <i><u>Recommended spare parts</u></i> | RELE RELAIS SCHÜTZ RELAIS CONTACTOR | |
| 3 | RTCU900110 <i><u>Recommended spare parts</u></i> | COMMUTATORE TERMOSTATO COMMUTATEUR POUR THERMOSTAT TAKTSCHALTER THERMOSTAT COMMUTATOR | |
| 4 | 182100 | TERMOSTATO DI SICUREZZA THERMOSTAT DE SECURITE SICHERHEITSTHERMOSTAT SAFETY THERMOSTAT | |
| 5 | 180498 <i><u>Recommended spare parts</u></i> | TERMOSTATO DI LAVORO T.180°C THERMOSTAT DE TRAVAIL T.180°C ARBEITSTHERMOSTAT T.180°C WORKING THERMOSTAT T.180°C | |
| 6 | RTCU800185 <i><u>Recommended spare parts</u></i> | GUARNIZIONE ASTA COMMUTATORE JOINT POUR BARRE DU COMMUTATEUR DICHTUNG WELLE TAKTSCHALTER GASKET FOR COMMUTATOR ROD | |
| 7 | RTCU900112 <i><u>Recommended spare parts</u></i> | STAFFA ALTA COMMUTATORE/TERMOSTATO CROCHET POUR COMMUTATEUR/THERMOSTAT HOEHER HALTEBUEGEL UMSCHALTER/THERMOSTAT HIGH BRACKET COMMUTATOR/THERMOSTAT | |
| 8 | 166465 <i><u>Recommended spare parts</u></i> | LAMPADINA SPIA VERDE LAMPE TEMOIN VERTE GRUNE KONTROLLEUCHTE GREEN WARNING LIGHT | |
| 9 | 166466 <i><u>Recommended spare parts</u></i> | LAMPADINA SPIA ARANCIONE LAMPE DE SIGNALATION ORANGE ORANGE KONTROLLEUCHTE ORANGE LAMP LIGHT | |
| 10 | RTBF800138 | F/CAVO PG21 SERRE CABLE PG21 KABELDURCHFÜHRUNG PG21 CHOCK PG21 PRENSA CABO PG21 | |
| 11 | 173259 | VASCA R/OLIO RECIPIENT DE L'HUILE OELBECKEN OIL TANK | |
| 12 | 173272 | FILTRO VASCA R/OLIO FILTRE RECIPIENT D'HUILE FILTER FUER OELBECKEN OIL TANK FILTRE | |
| 13 | 177037 <i><u>Recommended spare parts</u></i> | RUBINETTO SCARICO OLIO COMPLETO DI LEVA COMANDO ROBINET VIDANGE D'HUILE OEL-ABLASSHAHN OIL DRAIN TAP | |