



REV.00  
09M2020Y)

TYPE 3455-3456

TAV.0

CATALOGO PARTI DI RICAMBIO  
SPARE PARTS CATALOGUE  
CATALOGUE PIECES DETACHEES  
ERSATZTEILKATALOG  
CATALOGO DE PIEZAS DE RICAMBIO  
CATALOGO PEÇAS DE REPOSIÇÃO

**TYPE 3455-3456**  
**Utensil washer basket 56.5x69**  
**Double skinned**  
**Electronic controls**



**INFORMAZIONI GENERALI**

- A. Il catalogo serve per richiedere con esattezza le parti di ricambi, in base al **MODEL** indicato nella matricola della macchina. Negli ordini indicare la posizione, il codice, la descrizione e la quantità delle parti di ricambio;
- B. I disegni delle parti di ricambio sono indicativi e NON rappresentano il pezzo reale;
- C. I dati contenuti in questo catalogo sono indicativi e possono essere soggetti a modifiche senza preavviso.

**GENERAL INFORMATION**

- A. This catalog order exactly the right spare parts, according to the **MODEL** indicated on the identification plate of the machine. When ordering, specify the position, the code, the description and the quantity of spare parts;
- B. The spare parts drawings are general and DO NOT represent the real part;
- C. The contents of this catalog are general, and can undergo changes without prior notice.

**INFORMATIONS GÉNÉRALES**

- A. Ce catalogue est utilisé pour commander exactement les pièces détachées, selon le **MODEL** indiqué sur la plaque d'identification de la machine. Les commandes doivent indiquer la position, le code, la description et la quantité des pièces détachées;
- B. Les dessins des pièces détachées sont indicatif, et NE représentent pas le pièces concernée;
- C. Les données de ce catalogue sont citées seulement à titre indicatif et peuvent être l'objet de modifications sans avis préalable.

LETTURA DELLA MATRICOLA MACCHINA

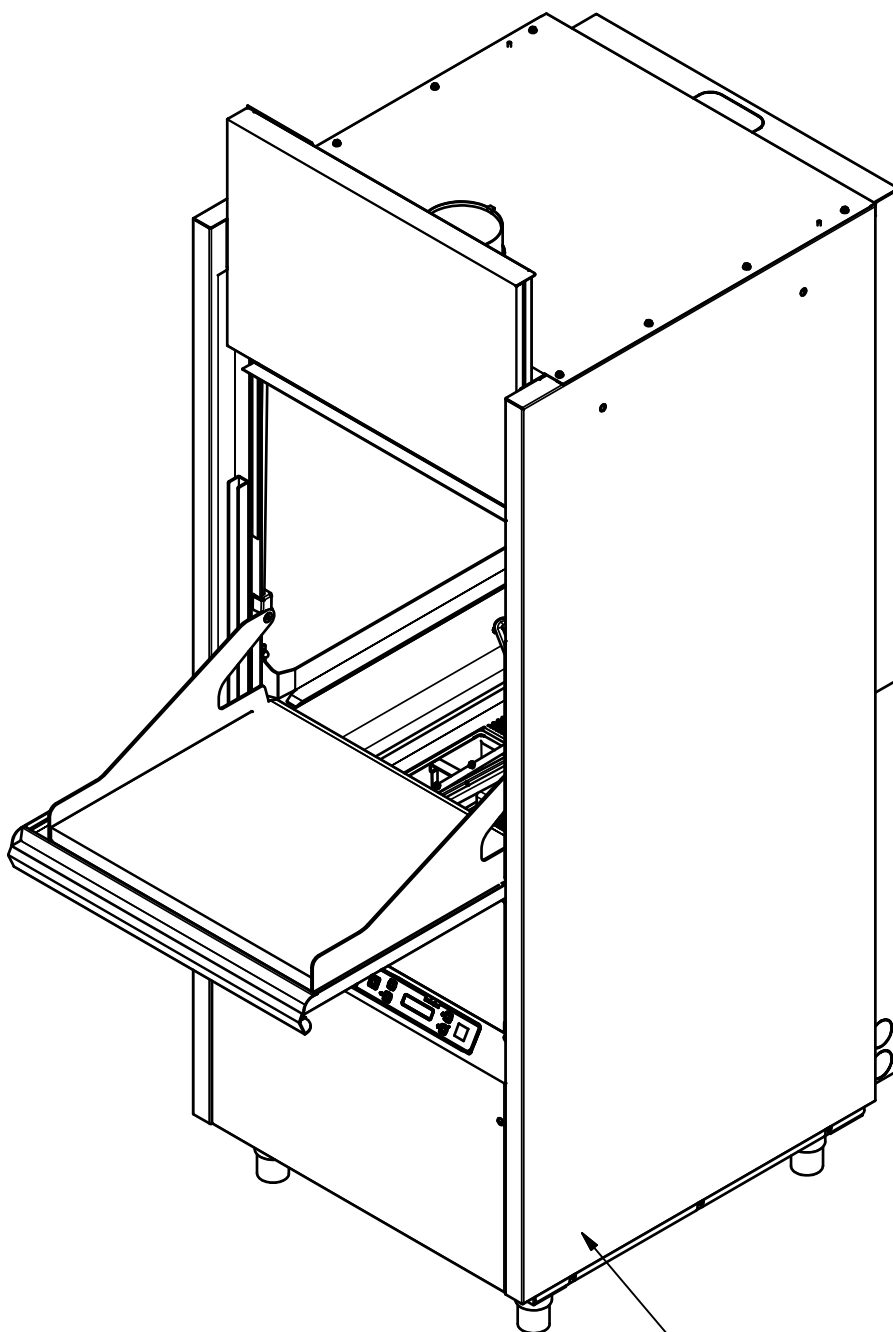
CONSTRUCTION OF MACHINE ID NUMBER

LECTURE DONNÉE DE LA MACHINE

DATI IDENTIFICATIVI  
IDENTIFICATION DATA  
DONNÉES D'IDENTIFICATION

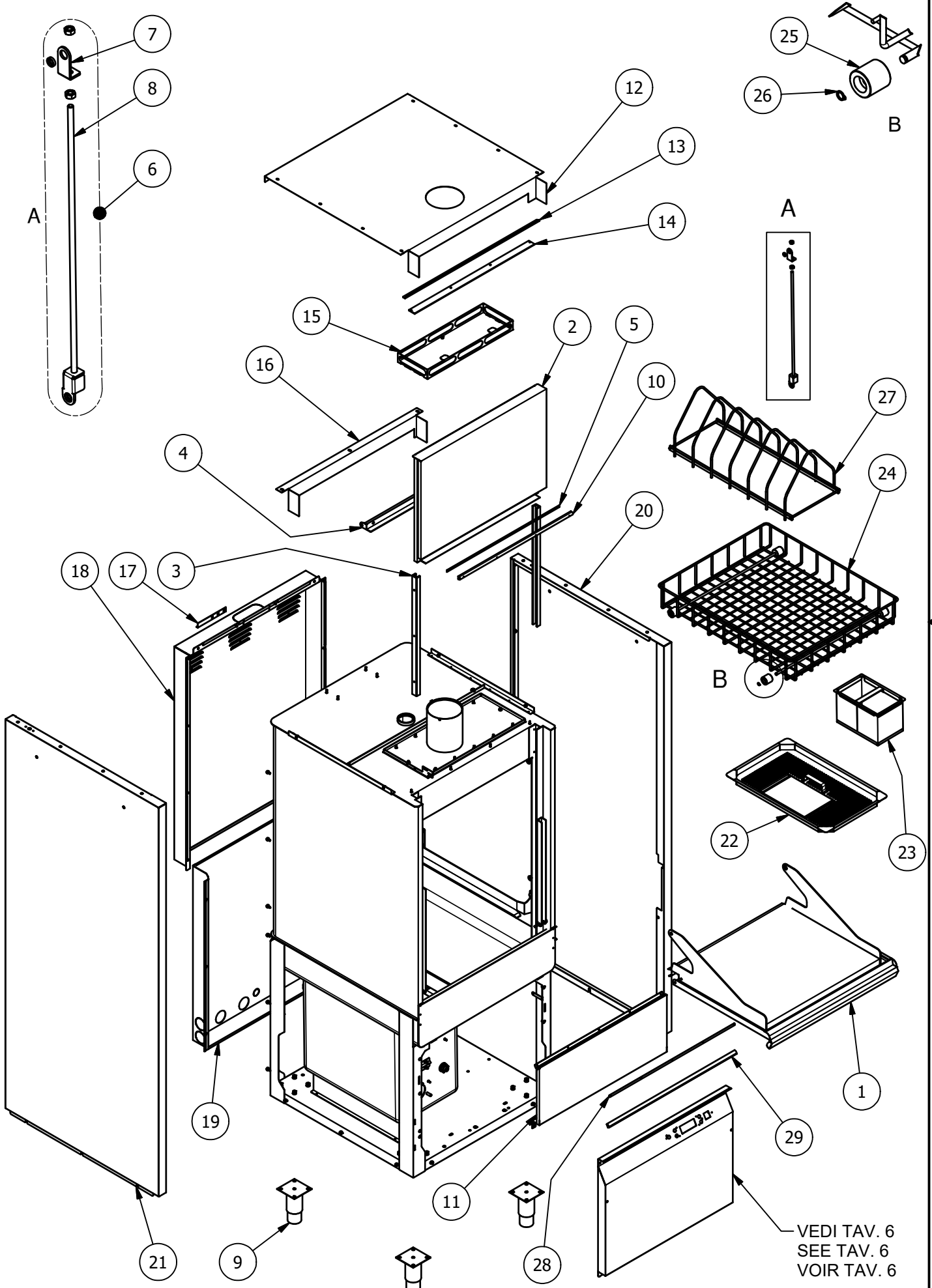
LOGO FABBRICANTE MANUFACTURER LOGO	INDIRIZZO FABBRICANTE MANUFACTURER ADDRESS
<b>MODEL</b> TYPE ..... CODE 1234-123456 SERIAL No. YYYYYYYY ARTICLE .....	220-240V~50Hz 14A Power 3185 W IP25
WATER SUPPLY 200+500 kPa/MAX 50°C Electronic code: XXXX PW: XXXX	

DATI TECNICI  
TECHNICAL SPECIFICATIONS  
DONNÉES TECHNIQUES



MATRICOLA  
IDENTIFICATION PLATE  
PLAQUE D'IDENTIFICATION

TAV 1	CARROZZERIA	BODY	CARROSSERIE
TAV 2	COMPONENTI ELETTRICI	ELECTRICAL COMPONENTS	COMPOSANTS ÉLECTRIQUES
TAV 3	COMPONENTI IDRAULICI	HYDRAULIC COMPONENTS	COMPOSANT HYDRAULIQUES
TAV 4	BRACCI LAVAGGIO / RISCIAQUO	WASH/RINSE ARMS	BRAS DE LAVAGE ET RINÇAGE
TAV 5	POMPA DI SCARICO	DRAIN PUMP	POMPE DE VIDANGE
TAV 6	PANNELLO DI CONTROLLO	FRONT PANEL	PANNEAU DE CONTROLE
TAV 7	POMPA DI LAVAGGIO	WASHING PUMP	POMPE DE LAVAGE
TAV 8	DOSATORE DETERGIVO E BRILLANTANTE	DETERGENT AND RINSE AID DISPENSER	DOSEURS PRODUIT DE LAVAGE ET RINÇAGE
TAV 9	DOSATORE DETERGIVO E BRILLANTANTE AD IMPULSI	IMPULSE DETERGENT AND RINSE AID DISPENSER	DOSEURS PRODUIT DE LAVAGE ET RINÇAGE IMPULSION



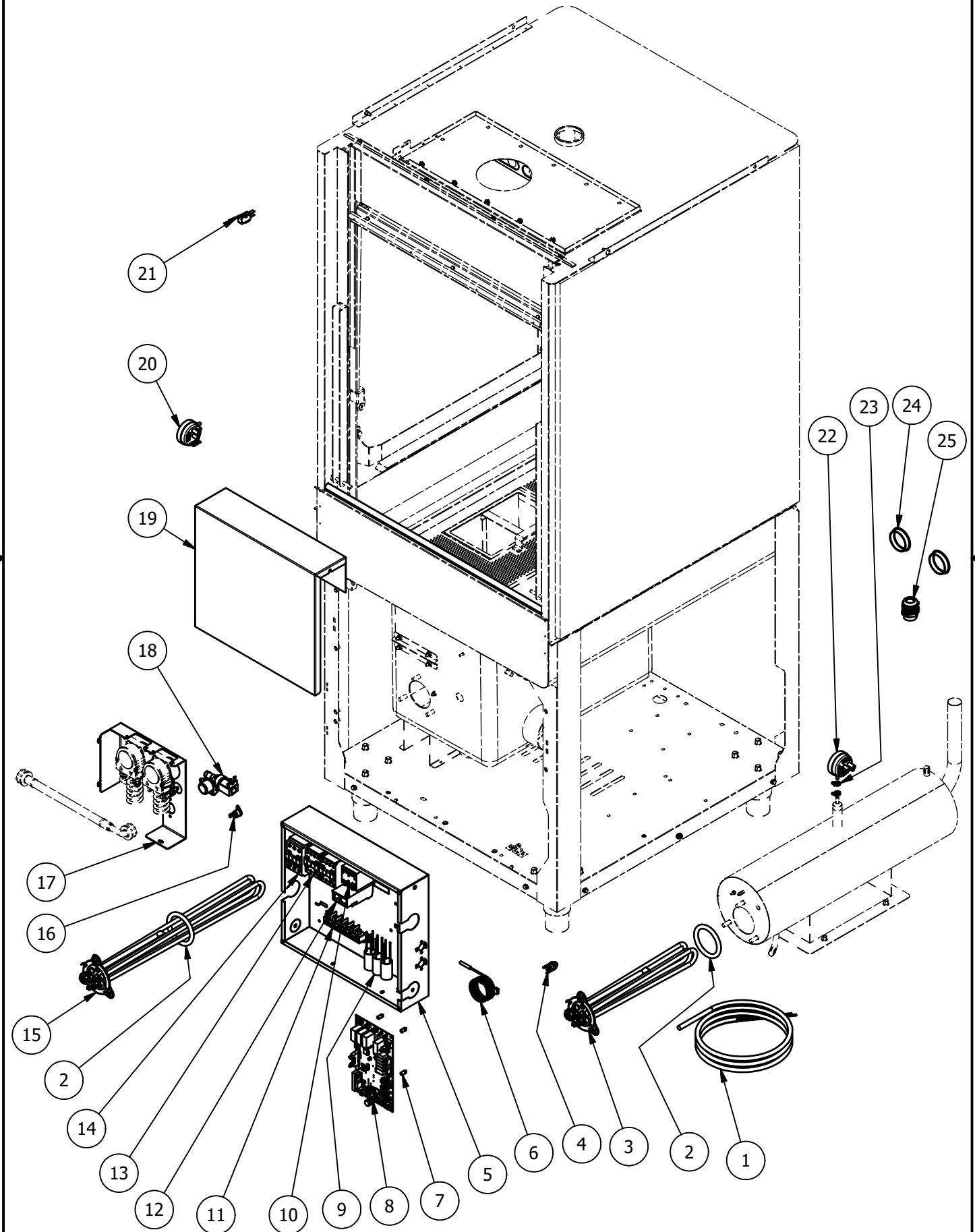
REV.00  
(09/2020)

TYPE 3455-3456  
CARROZZERIA - BODY - CARROSSERIE

TAV.1\_2

ELEM.	CODICE	DA/FROM MATR.	DESCRIZIONE	DESCRIPTION [EN]	DESCRIPTION [FR]	U.M.
1	00011828		ASS. PORTA	DOOR ASSY	ENS. DE LA PORTE	No.
2	00011823		ASS. SERRANDA	DOOR ASSY	ENS. DE LA PORTE	No.
3	00006616		GUIDA DI SCORR. SERRANDA	SLIDING DOOR SUPPORT	GUIDE PORTE COULISSANTE	No.
4	00009226		PROFILO AGGANCIAMENTO ASTE	BRACKET CONNECTION PROFILE	PROFIL JOINT	No.
5	00014362		ANIMA GUARNIZIONE SERRANDA	FIXING PIECE IN S/S SEAL	PIECE DE FIXATION	No.
6			ASS. ASTA DI RINVIO CPL.	COMPL. SHAFT ASSY	ENS. BRAS DE LEVIER COMPLETE	No.
7	00009245		TERMINALE SUPERIORE	SUPPORT BRACKET	SUPPORT BRIDE	No.
8	00006613		ASS. ASTA DI RINVIO	SHAFT ASSY	ENS. BRAS DE LEVIER	No.
9	2026-0001		PIEDINO FLAGIATO	ADJUSTABLE FEET	PIEDS RÉGLABLES	No.
10	00006493		GUARNIZ. AUTOAD.	ADHESIVE GASKET	JOINT ADHÉSIVE	No.
11	3014-0024		PANNELLO SOTTO PORTA	UNDER DOOR PANEL	SOUS PANNEAU DE PORTE	No.
12	00016885		PANN. SUPERIORE	UPPER PANEL	PANNEAU SUPÉRIEUR	No.
13	00010626		PROFILO DI FISSAGGIO	FIXING PROFILE	PROFIL DE FIXATION	No.
14	00014368		GUARNIZIONE SUP.SERRANDA	DOOR GASKET	JOINT DE LA PORTE	No.
15	00016967		LAMIERA PARASPRUZZI	SPLASH GUARD	GARDE-ÉCLABOUSSURES	No.
16	00015555		LAMIERA DI CHIUSURA CARTER	CLOSING CARTER	FERMETURE DE CARTER	No.
17	00009265		STAFFA PER MICRO SERRANDA	BRACKET FOR SWITCH	BRIDE POUR MICRO CONTACTEUR	No.
18	00009269		PANNELLO POSTERIORE	REAR PANEL	PANNEAU ARRIÈRE	No.
19	00011780		PANNELLO POSTERIORE INF.	REAR LOWER PANEL	PANNEAU ARRIÈRE INF.	No.
20	00011826		FIANCO DX	RIGHT PANEL	PANNEAU DROITE	No.
21	00011827		FIANCO X	LEFT PANEL	PANNEAU GAUCHE	No.
22	00006690		FILTRO VASCA	TANK FILTER	FILTRE DE RÉSERVOIR	No.
23	00005533		FILTRO VASCA	TANK FILTER	FILTRE DE RÉSERVOIR	No.
24	00006597		CESTO INOX	SS BASKET ASSY	PANIER EN ACIER	No.
25	00004524		RUOTA CESTO	BASKET WHEEL	ROUE DE PANIER	No.
26	00004416		SEEGER DIN471 8x0.8	SEEGER DIN471 8x0.8	SEEGER DIN471 8x0.8	No.
27	OB005971		PORTATEGLIE	TRAY HOLDER	PORTE-PLATEAU	No.
28	3020-0014		ANIMA GUARNIZIONE SOTTOPORTA	PLATE FOR UNDER DOOR PANEL GASKET	PLAQUE POUR JOINT DE PANNEAU SOUS PORTE	No.
29	00015765		GUARNIZIONE SOTTOPORTA L=0.66m	UNDER DOOR PANEL GASKET L=0.66m	JOINT DE PANNEAU SOUS PORTE L=0.66m	No.

(\* ) RICAMBI CONSIGLIATI / RECOMMENDED SPARE PARTS / PIECES DETACHEES RECOMMANDEES

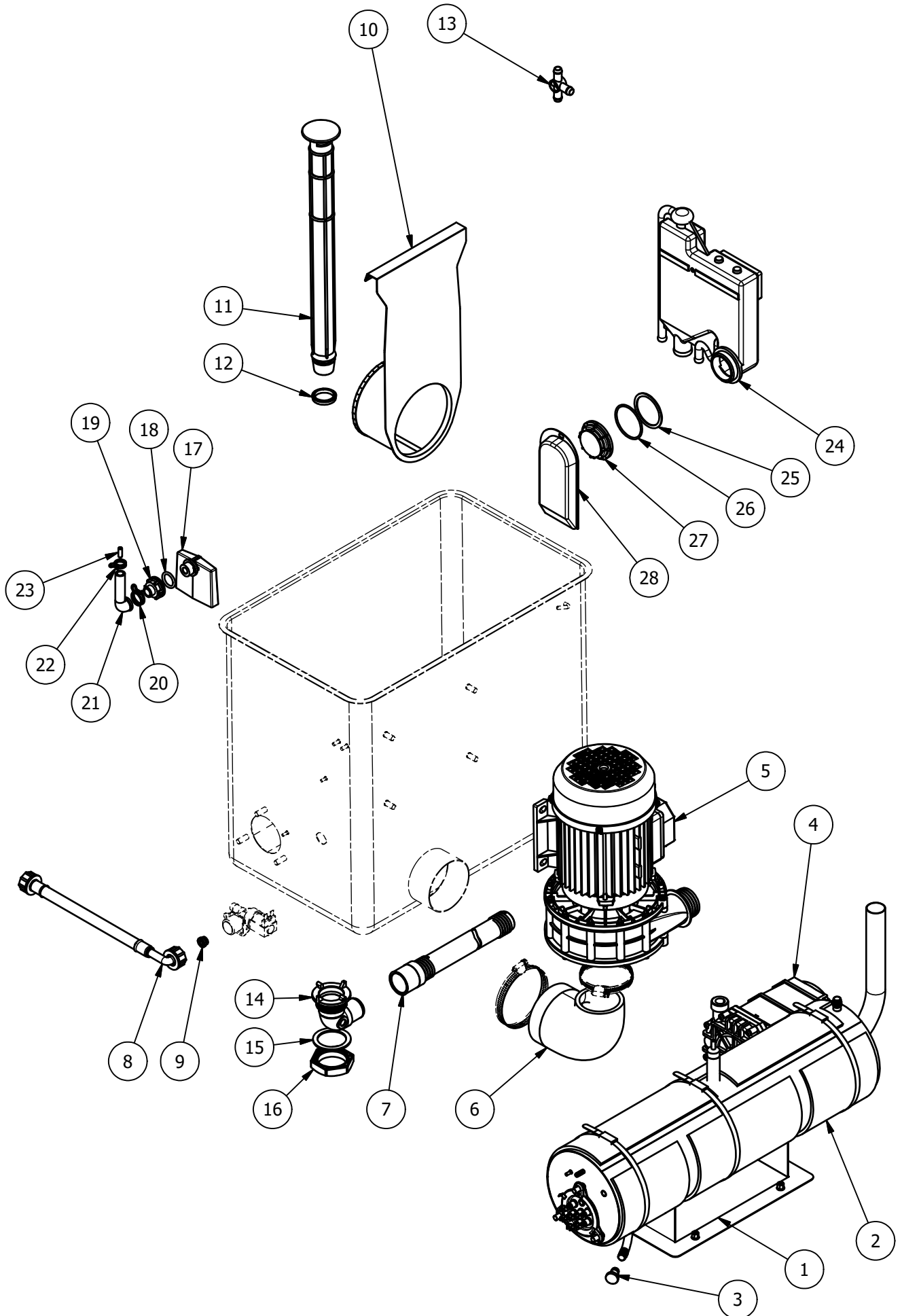


REV.00  
(09/2020)TYPE 3455-3456  
COMPONENTI ELETTRICI - ELECTRICAL COMPONENTS - COMPOSANT ELECTRIQUES

TAV.2\_2

ELEM.	CODICE	DA/FROM MATR.	DESCRIZIONE	DESCRIPTION [EN]	DESCRIPTION [FR]	U.M.
1	00001679		CAVO ALIMENTAZIONE 5G 3.5	POWER CABLE 5G 3.5	CABLE D'ALIMENTATION 5G 3.5	No.
2	00000057		OR PER FLANGIA BOILER (*)	OR FOR BOILER FLANGE (*)	OR POUR BRIDE DU CHAUD. (*)	No.
3	00016572		RESISTENZA 230V 6kW (*)	RESISTANCE 230V 6kW (*)	RÉSISTANCE 230V 6kW (*)	No.
4	00004913		TERMOSTATO BIMETALL. A R.M. (*)	MANUAL RESET SAFETY THERMOSTAT (*)	THERMOSTAT DE SECURITÉ À RÉARM. MANUEL (*)	No.
5	3024-0001		SCATOLA QUADRO ELETTRICO	WIRING METAL BOX	BOÎTE ÉLECTRIQUE	No.
6	4011-0002		SONDA NTC AMP MODU II PER BOILER/VASCA (*)	NTC PROBE AMP MODU II FOR BOILER/TANK (*)	SONDE NTC AMP MODU II POUR CHAUDIÈRE/RÉSERVOIR (*)	No.
7	1020-0001		DISTANZIALE SCHEDA ELETTRONICA	ELECTRONIC CARDBOARD SPACER	ESPACEUR DE CARTE ÉLECTRONIQUE	No.
8	4030-0002		SCHEDA ELETTRONICA (*)	ELECTRONIC CARDBOARD (*)	CARTE ÉLECTRONIQUE (*)	No.
9	00002779		FILTRO ANTIDISTURBO 0,47 uF	FILTER 0,47 uF	FILTRE ANTIPARASITE 0.47 uF	No.
10	00005140		TELERUTTORE 230V 50-60Hz (*)	CONTACTOR 230V 50-60Hz (*)	TELERUPETUR 230V 50-60Hz (*)	No.
11	4055-0001		MORSETTIERA FV122 40A 450V	TERMINAL BOARD FV122 40A 450V	BLOC TERMINAL FV122 40A 450V	No.
12	00003540		RELE' TERMICO PROT. MOT. 11RF9-5	OVER CURRENT RELAY 11RF9-5	RELAIS 11RF9-5	No.
12A	4021-0003		RELE' TERMICO PROT. MOT. 11RF9-75 (**)	OVER CURRENT RELAY 11RF9-75 (**)	RELAIS 11RF9-75 (**)	No.
13	00004375		TELERUTTORE 230V 50Hz BF09 4.2kW	CONTACTOR 230V 50Hz BF09 4.2kW	TELERUPETUR 230V 50Hz BF09 4.2kW	No.
14	4016-0001		TELERUTTORE BF26 230 45	CONTACTOR BF26 230 45	TELERUPETUR BF26 230 45	No.
15	00017405		RESISTENZA 230V 6kW (*)	RESISTANCE 230V 6kW (*)	RÉSISTANCE 230V 6kW (*)	No.
16	00004066		TERMOSTATO BIMETALL. A R.M. (*)	MANUAL RESET SAFETY THERMOSTAT (*)	THERMOSTAT DE SECURITÉ À RÉARM. MANUEL (*)	No.
17	00014349		SUPPORTO DOSATORI	DETERGENT DISPENSER SUPPORT	DOSEUR SOUTIEN	No.
18	00000394		ELETTOVALVOLA SING. 90° 230V 230V (*)	SINGLE SOLEN. VALVE 90° 230V (*)	ELECTROV. UNIQUE 90° 230V (*)	No.
19	3022-0004		PANNELLO CHIUSURA SCATOLA ELETTRICA	WIRING METAL BOX COVER	COUVERTURE BOÎTE ÉLECTRIQUE	No.
20	00005594		PRESSOSTATO 260-90 (*)	PRESSURE SWITCH 260-90 (*)	PRESSOSTAT DE NIVEAU D'EAU 260-90 (*)	No.
21	00002384		MICROINT. A LEVA LUNGA	MICRO SWITCH	MICRO CONTACTEUR	No.
22	00016403		PRESSOSTATO LIVELLO 28/12 (*)	PRESSURE SWITCH 28/12 (*)	PRESSOSTAT DE NIVEAU D'EAU 28/12 (*)	No.
23	00002152		FASCETTA BIFIL. Ø10,4-9,8	CLAMP Ø10,4-9,8	COLLIER Ø10,4-9,8	No.
24	00014489		PASSACAVO	CABLE GUIDE	GUIDE DU CABLE	No.
25	00000462		FISSACAVO PG 21	PG 21 CABLE CLAMP	GUIDE DU CABLE PG 21	No.

(\*) RICAMBI CONSIGLIATI / RECOMMENDED SPARE PARTS / PIECES DETACHEES RECOMMANDEES  
 (\*\*\*) ONLY FOR 230V3 PHASE



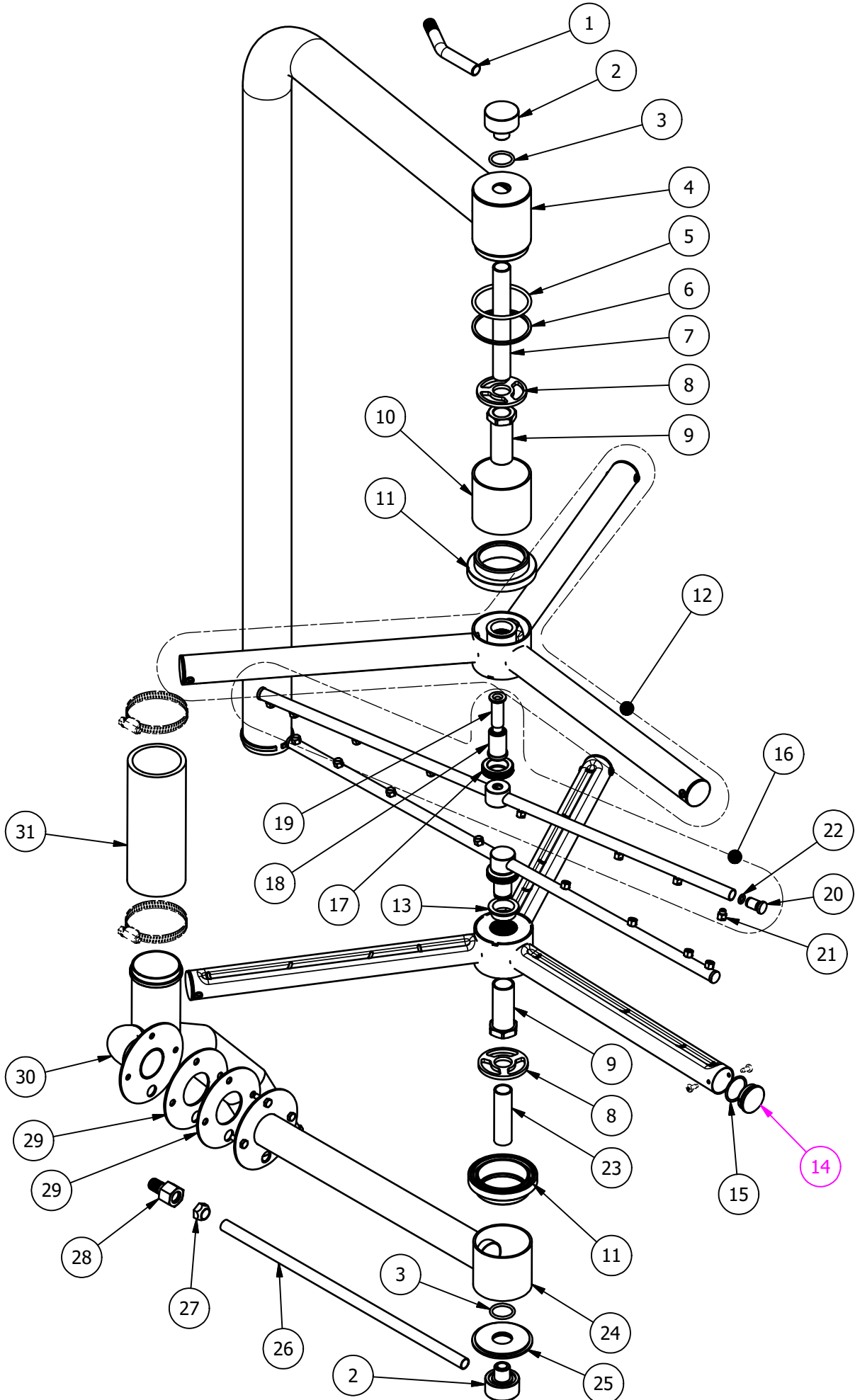


REV.00  
(09/2020)TYPE 3455-3456  
COMPONENTI IDRAULICI - HYDRAULIC COMPONENTS - COMPOSANT HYDRAULIQUES

TAV.3\_2

ELEM.	CODICE	DA/FROM MATR.	DESCRIZIONE	DESCRIPTION [EN]	DESCRIPTION [FR]	U.M.
1	00015620		ASS. BOILER 12L	12L BOILER ASSY	12L BOILER ASSY	No.
2	00015910		COIBENTAZIONE BOILER	BOILER INSULATION BAND	ISOLATION DE LA CHAUDIÈRE	No.
3	3033-0001		TAPPO MASCHIO	CAP	BOUCHON	No.
4	00015422		POMPA RISC. 230V 50Hz	RINSE PUMP 230V 50Hz	POMPE DE RINC. 230V 50Hz	No.
4A	00016697		POMPA RISC. 230V 60Hz	RINSE PUMP 230V 60Hz	POMPE DE RINC. 230V 60Hz	No.
5	00015774		POMPA LAV. 50Hz 1.5 Kw SX	W. PUMP 50Hz 1.5 Kw SX	POMPE DE LAV. 50Hz 1.5 Kw SX	No.
5A	00017484		POMPA LAV. 60Hz 1.5 Kw SX	W. PUMP 60Hz 1.5 Kw SX	POMPE DE LAV. 60Hz 1.5 Kw SX	No.
6	3080-0010		MANICOTTO POMPA	PUMP HOSE	TUYAU DE LA POMPE	No.
7	00002188		TUBO SCARICO L=2000mm	WATER OUTLET HOSE L=2000mm	TUYAU D'ENTRÉE L=2000mm	No.
8	00000139		TUBO CARICO L=2000mm	WATER INLET HOSE L=2000mm	WATER INLET HOSE L=2000mm	No.
9	00016405		RID. DI PORTATA ENTRATA 8 L/MIN	INLET REG. 8 L/min	RÉG. DE DÉBIT 8 L/min	No.
10	8308-0001		FILTRO POMPA	PUMP FILTER	FILTRE DU POMPE	No.
11	00017161		TROPPOPIENO VASCA	OVERFLOW	TROP PLEIN EN PLASTIQUE	No.
12	000017178		GUARNIZIONE TROPPOPIENO	OVERFLOW GASKET	JOINT DU TROP PLEIN	No.
13	00004120		DISTRIBUTORE 3 VIE	THREE-WAY DISTRIBUTOR	DISTRIBUTEUR TROIS VOIES	No.
14	00017159		PILETTA DI SCARICO	DRAIN	TASSE D'ÉCHAPPEMENT	No.
15	00000204		GUARNIZIONE POZZETTO	EXHAUST COCKPIT GASKET	JOINT DU Puits DU FILTRE	No.
16	00000203		DADO PILETTA	DRAIN SCREW	ÉCROU TASSE D'ÉCHAPP.	No.
17	00003535		GABBIA D'ARIA VASCA (*)	AIR TRAP (*)	TRAPPE D'AIR (*)	No.
18	00002934		OR4081	OR4081	OR4081	No.
19	00003536		DADO GABBIA D'ARIA	NUT FOR AIR TRAP	ÉCROU POUR TR. DE L'AIR	No.
20	00000391		FASCETTA BIFIL. Ø19.6x20.6	CLAMP Ø19.6x20.6	COLLIER Ø19.6x20.6	No.
21	00002927		RACCORDO ANTICONDENSA	FITTING	RACCORD ANTI-COND	No.
22	00000388		FASCETTA BIFIL. Ø14.4X15.1	CLAMP Ø14.4X15.1	COLLIER Ø14.4X15.1	No.
23	00002933		TUBO TENUTA GABBIA D'ARIA	AIR TRAP JUNCTION	JONC. POUR TRAPPE D'AIR	No.
24	00015941		AIR BREAK	AIR BREAK	AIR BREAK	No.
25	00015778		GUARNIZIONE PIANA AIR BREAK	PLANAR GASKET AIR BREAK	JOINT PLANAIRE AIR BREAK	No.
26	00015777		ORING AIR BREAK	ORING AIR BREAK	ORING AIR BREAK	No.
27	00015779		GHIERA AIR BREAK	THREADED RING FOR AIR BREAK	BAGUE POUR AIR BREAK	No.
28	00016028		PROTEZIONE	PROTECTION	PROTECTION	No.

(\*) RICAMBI CONSIGLIATI / RECOMMENDED SPARE PARTS / PIECES DETACHEES RECOMMANDEES



REV.00  
(09/2020)

TYPE 3455-3456  
BRACCI DI LAVAGGIO/RISCIACQUO - WAS/RINSE ARMS - BRAS DE LAVAGE/RINCAGE

TAV.4\_2

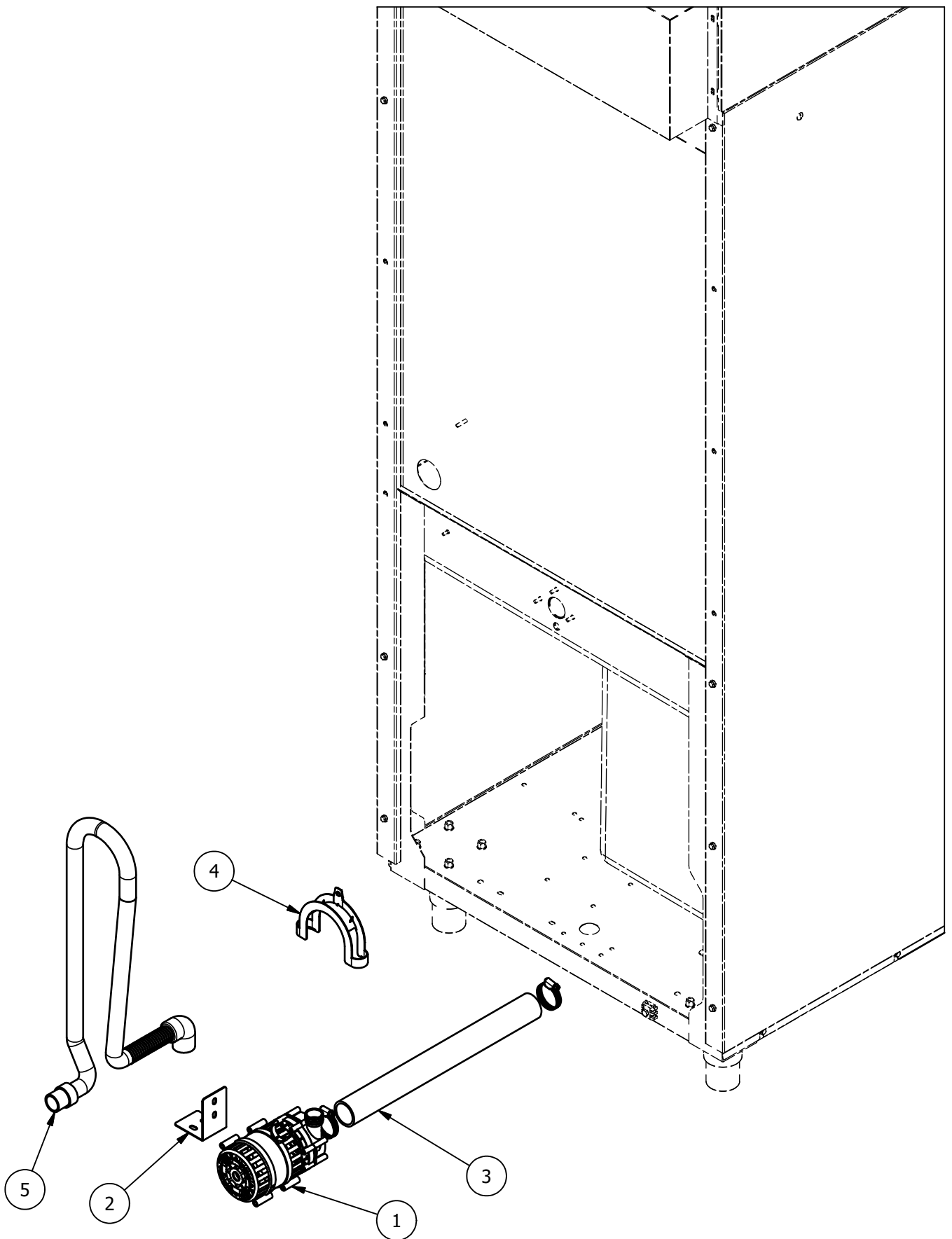
ELEM.	CODICE	DA/FROM MATR.	DESCRIZIONE	DESCRIPTION [EN]	DESCRIPTION [FR]	U.M.
1	00008648		RACCORDO INOX M12x1	M12x1 SS FITTING	RACCORD M12x1 INOX	No.
2	00006590		RACCORDO A 90°	90° ELBOW	RACCORD 90°	No.
3	00000025		OR 128	OR 128	OR 128	No.
4	00011830		ASS. RAMPA LAVAGGIO SUPERIORE	UPPER WASHING PIPE ASSY	TUYAU DE LAVAGE SUPÉRIEUR	No.
5	00006546		OR 158	OR 158	OR 158	No.
6	00009249		ANELLO DI TENUTA	O-RING	JOINT TORIQUE	No.
7	00006598		TIRANTE SUPERIORE	UPPER TENSIONER	TENDEUR SUPÉRIEUR	No.
8	00017541		FLANGIA INT. COPRITIRANTE	INTERNAL FLANGE	BRIDE INTERNE	No.
9	00002587		PERNO DI LAVAGGIO	WASH PIN	PIN DE LAVAGE	No.
10	3040-0095		FODERO COPRITIRANTE	TENSIONER COVER	COUVERTURE DU TENDEUR	No.
11	8395-0031		KIT FLANGIA COPRITIRANTE	FLANGE KIT	KIT BRIDE	No.
12	8304-0010		ASS. GIRANTE LAVAGGIO	WASHING ARM	BRAS DE LAVAGE	No.
13	00002445		BUSSOLA IN TEFLON (*)	TEFLON PLAN BEARINGS (*)	ROULEMENTS PLAN TEFLON (*)	No.
14	00004842		TAPPO TUBI LAVAGGIO (*)	WASHING ARM CAP (*)	BOUCH. BRAS DE LAVAGE (*)	No.
15	00002038		OR 2100	OR 2100	OR 2100	No.
16	00004510		ASS. GIRANTE RISCIACQUO	RINSE ARM ASSY	ENS. BRAS DE RINCAGE	No.
17	00002416		GHIERA INOX	SS RING NUT	ECROU EN INOX	No.
18	00002419		BUSSOLA IN TEFLON	TEFLON PLAN BEARINGS	ROULEMENTS PLAN TEFLON	No.
19	00002417		PERNO INOX	SS PIN	PIN EN INOX	No.
20	00002502		TAPPO RISCIACQUO (*)	RINSE ARM PLUG (*)	BOUCHON BRAS DE RINCAGE (*)	No.
21	00017155		UGELLO RISCIACQUO INOX	RINSE NOZZLE	GICLEUR RINCAGE	No.
22	00002531		OR 106	OR 106	OR 106	No.
23	00006601		TIRANTE SUPERIORE	UPPER TENSIONER	TENDEUR SUPÉRIEUR	No.
24	8305-0006		ASS. RAMPA INFERIORE	LOWER WASHING PIPE ASSY	TUYAU DE LAVAGE INFÉRIEUR	No.
25	8380-0010		ASS. DISCO RAMPA SUPERIORE	DISC ASSY OF SUP. WASHING	ENS. DISC DU TUYAU DE LAVAGE SUP.	No.
26	00011803		TUBO RISCIACQUO INF.	LOWER RINSE PIPE	TUYAU INF. DU RINCAGE	No.
27	00003265		DADO M12X1	NUT M12x1	ÉCROU M12x1	No.
28	00011992		RACCORDO PER TIRANTE INOX	SS TENSIONER CONNECTION	RACCORD EN INOX POUR TENDEUR	No.
29	00010955		GUARNIZIONE GOMMA FLANGIA	GASKET FOR WASHING FLANGE	JOINT POUR BRIDE DE LAVAGE	No.
30	00011808		ASS. RAMPA LAVAGGIO INFERIORE	LOWER WASHING PIPE ASSY	TUYAU DE LAVAGE INFÉRIEUR	No.
31	00000427		TUBOR RADIOR 50X60 L 0.15	RADIOR HOSE 50X60 L 0.15	TUYAU RADIOR 50X60 L 0.15	No.

(\*) RICAMBI CONSIGLIATI / RECOMMENDED SPARE PARTS / PIECES DETACHEES RECOMMANDEES

REV.00  
(09/2020)

TYPE 3455-3456  
KIT POMPA DI SCARICO - KIT DRAIN PUMP - KIT POMPE DE VINDAGE

TAV.5\_1



KIT POMPA DI SCARICO COMPLETO - COMPLETE DRAIN PUMP KIT - KIT POMPE DE VIDANGE COMPLET: 17769

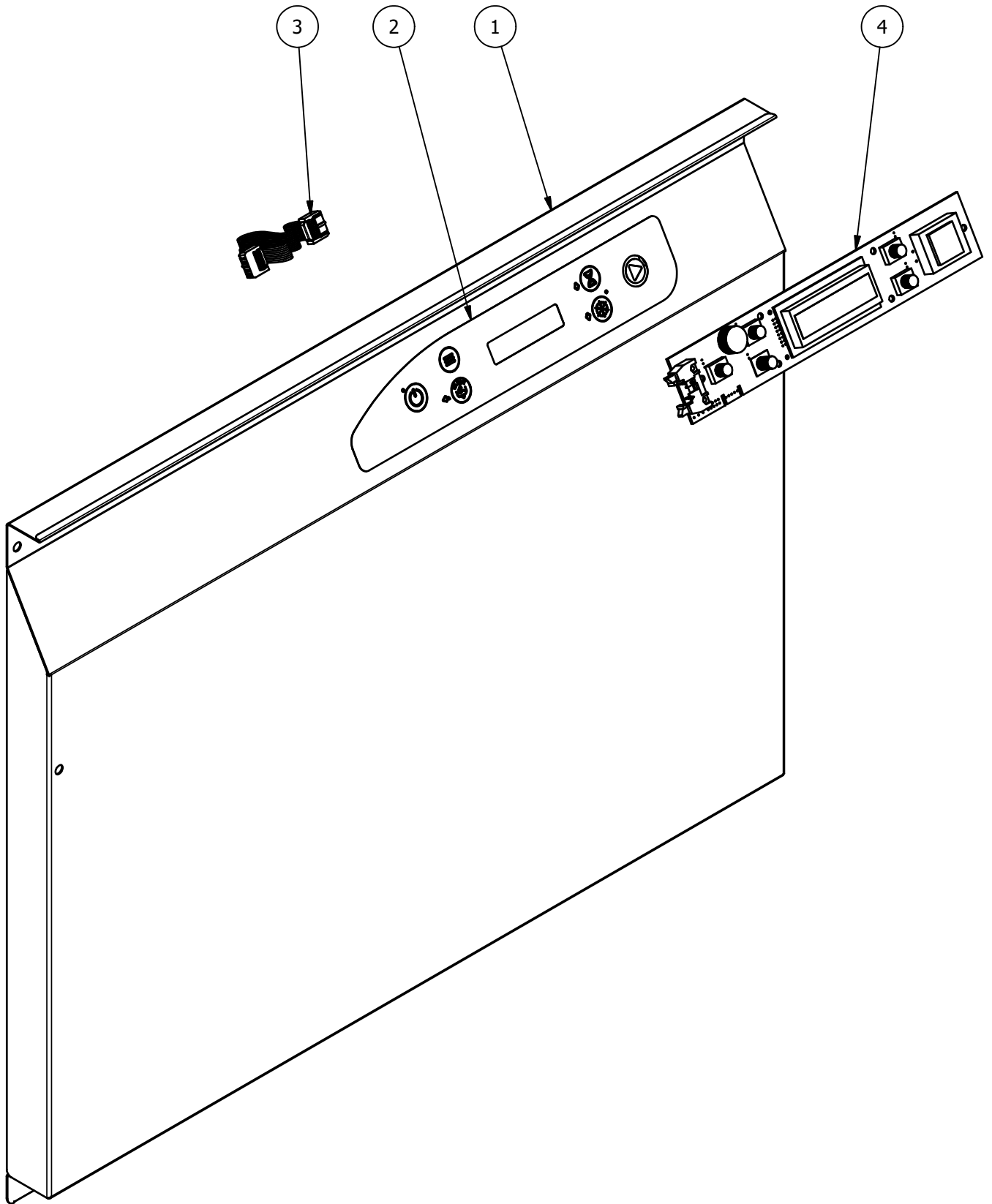
REV.00  
(09/2020)

TYPE 3455-3456  
KIT POMPA DI SCARICO - KIT DRAIN PUMP - KIT POMPE DE VIDANGE

TAV.5\_2

ELEM.	CODICE	DA/FROM MATR.	DESCRIZIONE	DESCRIPTION [EN]	DESCRIPTION [FR]	U.M.
1	00015537		POMPA SCARICO 0.25HP 230V 50Hz	DRAIN PUMP 0.25HP 230V 50Hz	POMPE DE VIDANGE 0.25HP 230V 50Hz	No.
1A	6006-0003		POMPA SCARICO 0.25HP 230V 60Hz	DRAIN PUMP 0.25HP 230V 60Hz	POMPE DE VIDANGE 0.25HP 230V 60Hz	No.
2	00015586		SUPPORTO POMPA SCARICO	DRAIN PUMP SUPPORT	SUPPORT DU POMPE DE VIDANGE	No.
3	00002669		TUBO RADIOR	RADIOR HOSE	TUYAU RADIOR	No.
4	00016395		CURVA SUPPORTO TUBO SCARICO	DRAIN HOSE SUPPORT	SUPPORT DU TUYAU D'ÉCHAPPEMENT	No.
5	0271500002		TUBO SCARICO LAVAGG. L=2500 mm -	DRAIN HOSE L= 2500 mm	TUYAU D'ÉCHAPPEMENT L=2500mm	No.

(\*) RICAMBI CONSIGLIATI / RECOMMENDED SPARE PARTS / PIECES DETACHEES RECOMMANDEES



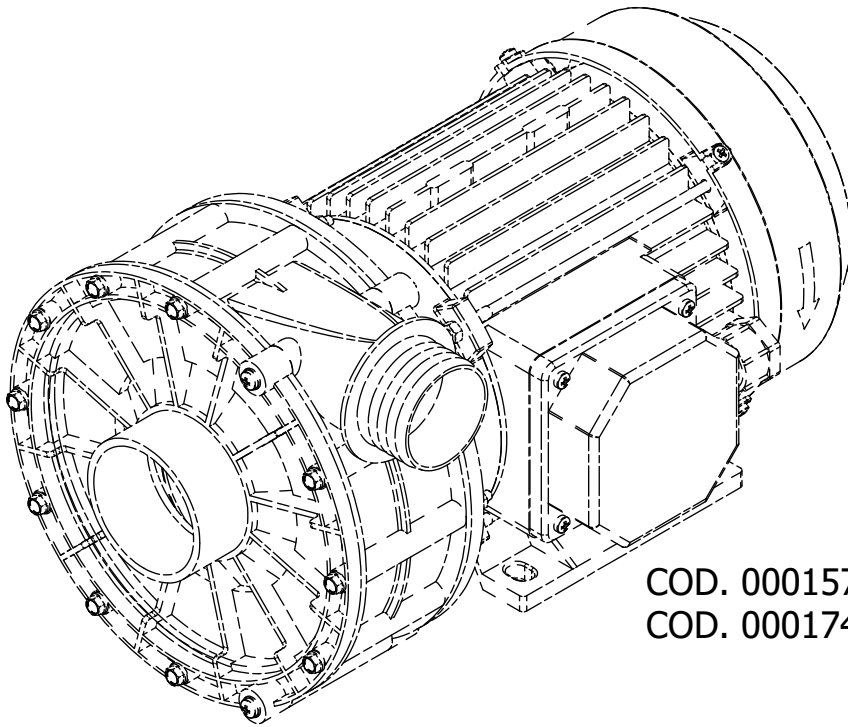
REV.00  
(09/2020)

TYPE 3455-3456  
PANNELLO COMANDI - FRONT PANEL - PANNEAU DE CONTROLE

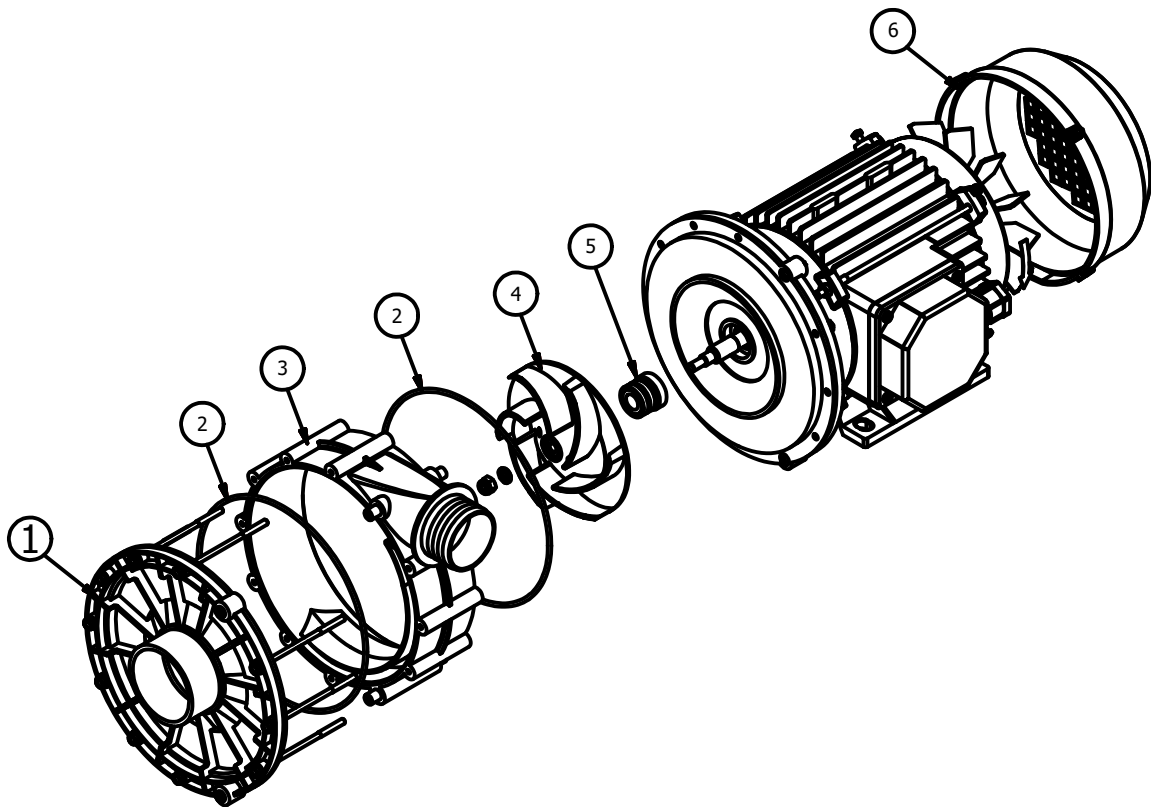
TAV.6\_2

ELEM.	CODICE	DA/FROM MATR.	DESCRIZIONE	DESCRIPTION [EN]	DESCRIPTION [FR]	U.M.
1	3013-0027		PANNELLO FRONTALE	FRONT PANEL	PANNEAU AVANT	No.
2	3501-0016		MEMBRANA ADESIVA	ADHESIVE LABEL	MEMBRANE ADHÉSIVE	No.
3	4040-0001		CAVO FLAT 10 FILI (*)	10-WIRES FLAT CABLE (*)	CÂBLE PLAT À 10 FILS (*)	No.
4	4035-0001		DISPLAY 6 TASTI (*)	6-KEYS DISPLAY (*)	AFFICHAGE À 6 BOUTONS (*)	No.

(\*) RICAMBI CONSIGLIATI / RECOMMENDED SPARE PARTS / PIECES DETACHEES RECOMMANDEES



COD. 00015774 (230V 50Hz)  
COD. 00017484 (230V 60Hz)





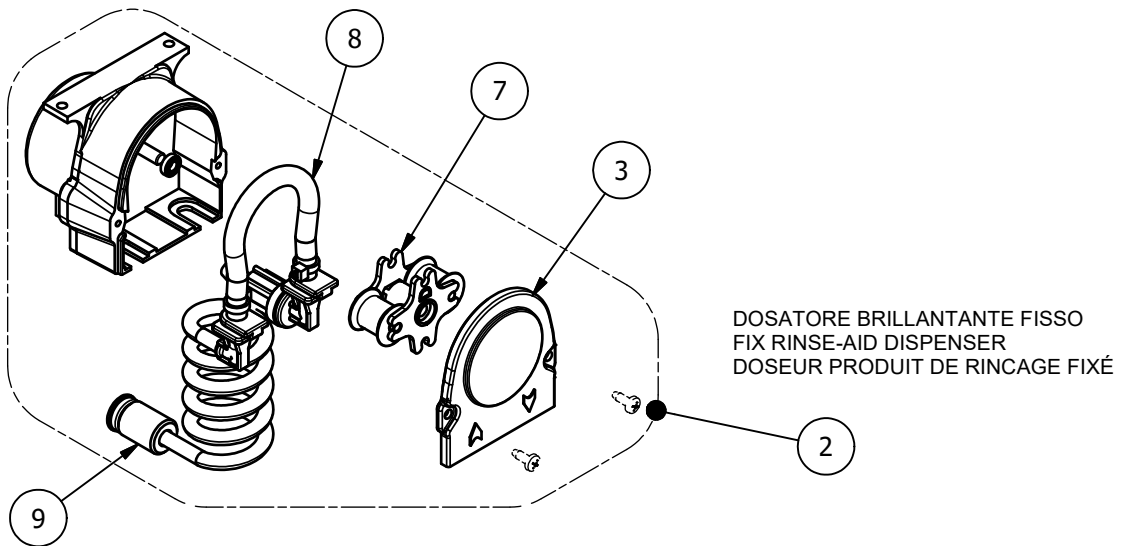
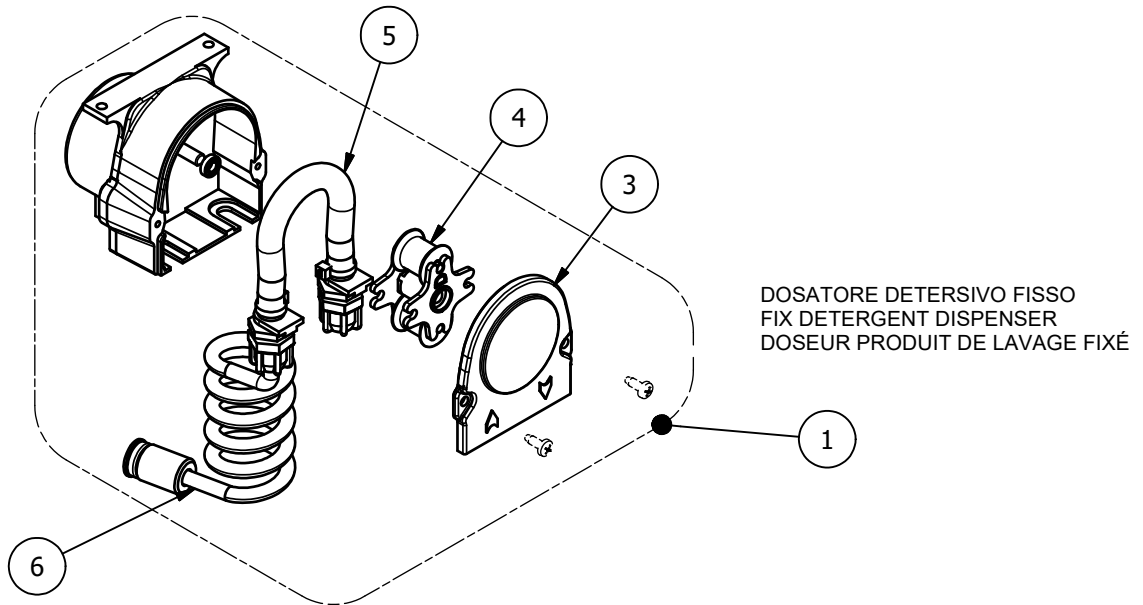
REV.00  
(09/2020)

TYPE 3455-3456  
POMPA DI LAVAGGIO - WASHING PUMP - POMPE DE LAVAGE

TAV.7\_2

ELEM.	CODICE	DA/FROM MATR.	DESCRIZIONE	DESCRIPTION [EN]	DESCRIPTION [FR]	U.M.
1	00017856		FLANGIA	FLANGE	BRIDE	No.
2	2060-0002		OR 150x2.5	OR 150x2.5	OR 150x2.5	No.
3	00017858		CHIOCCIOLA	PUMP CASE	CARTER POUR POMPE	No.
4	00017859		GIRANTE D.118 SX	IMPELLER D.118 LH	ROUE D.118 GAUCHE	No.
5	00014564		KIT TENUTA ROTANTE	SEAL KIT	KIT D'ÉTANCHÉITÉ	No.
6	00017860		COPRIVENTOLA	FAN COVER	COUVERCLE DE VENTILATEUR	No.

(\*) RICAMBI CONSIGLIATI / RECOMMENDED SPARE PARTS / PIÈCES DÉTACHÉES RECOMMANDÉES



REV.00  
(09/2020)

TYPE 3455-3456

DOS. DET. E BRILL. - DETERG. AND RINSE-AID DISPENSER - DOS. PRODUIT DE LAV. ET RINC.

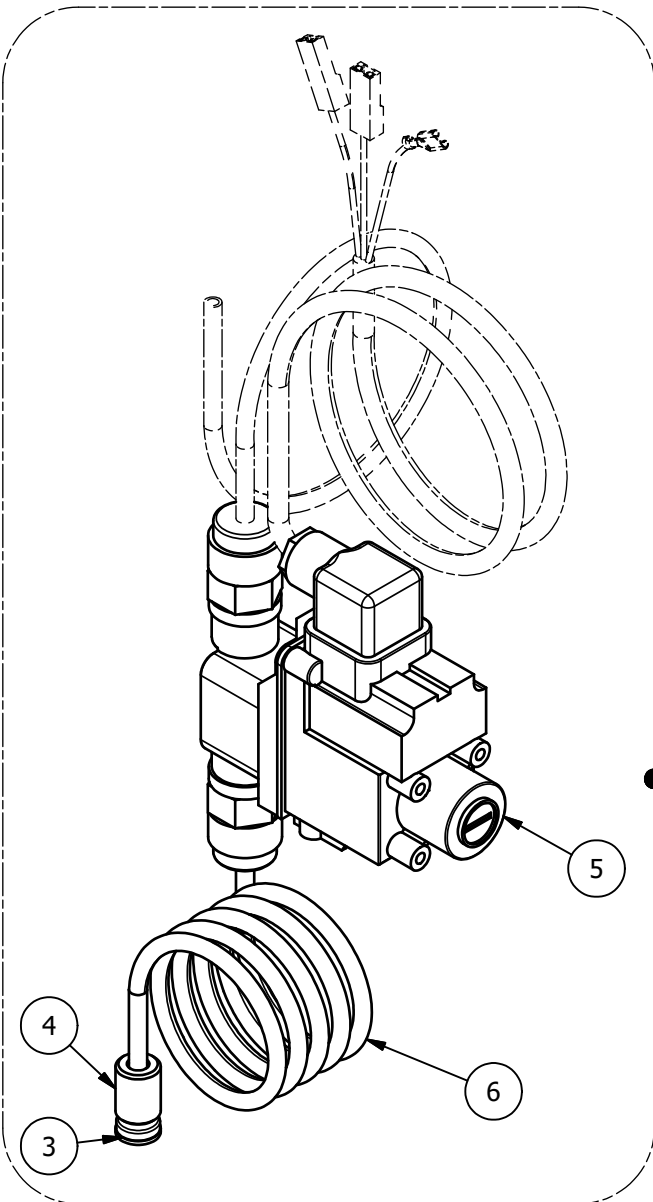
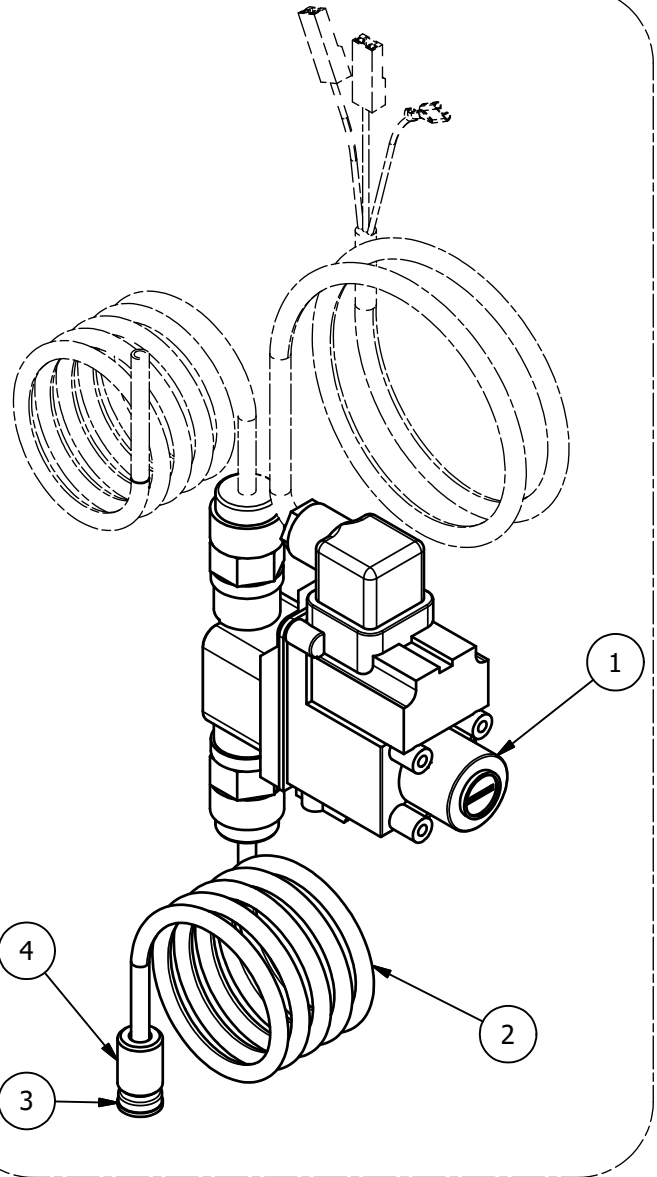
TAV.8\_2

ELEM.	CODICE	DA/FROM MATR.	DESCRIZIONE	DESCRIPTION [EN]	DESCRIPTION [FR]	U.M.
1	00016182		ASS. DOS.DETER. ELETTR. FISSO 3Lt/h	FIX DETER. DISPENSER 3Lt/h	DOSEUR PRODUIT DE LAV. FIXE 3Lt/h	No.
2	8395-0011		ASS. DOS. BRILL. ELETTR. FISSO 0.5Lt/h	FIX RINSE AID DISPENSER 0.5Lt/h	DOSEUR RINCAGE FIXE 0.5Lt/h	No.
3	8395-0013		COPERCHIO DI CHIUSURA	COVER ASSY	COUVERTURE DE FERMETURE	No.
4	00006632		ASS. PORTARULLI DOS. DETERSIVO (*)	DETERGENT DISPENSER ROLL HOLDER ASSY (*)	ENSEMBLE SUPPORT DE ROULEAU DOSEUR PRODUIT DE LAV. (*)	No.
5	00017128		TUBO INTERNO DOSAT. DETERSIVO (*)	INTERNAL DETERG. DISPENSER HOSE (*)	TUBE INTERNE POUR DOSEUR PRODUIT DE LAV. (*)	No.
6	00005069		ASS. FILTRO DOSAT. DETERS. CON TUBO	DETERG. DISPENS. FILTER ASSY	ENS. DU FILTRE DU DOSEUR PRODUIT DE LAV. AVEC TUBE	No.
7	8395-0014		ASS. PORTARULLI DOS. BRILL. (*)	RINSE AID DISPENSER ROLL HOLDER ASSY (*)	ENSEMBLE SUPPORT DE ROULEAU DOSEUR RINC. (*)	No.
8	8395-0012		TUBO INTERNO DOSAT. BRILLANTE CON VALV. (*)	INTERNAL RINSE AID DISP. HOSE WITH VALVE (*)	TUBE INTERNE POUR DOSEUR RINC. AVEC VANNE(*)	No.
9	00005070		ASS. FILTRO DOSAT. BRILL. CON TUBO	RINSE AID DISPENS. FILTER ASSY	ENS. DU FILTRE DU DOSEUR RINCAGE AVEC TUBE	No.

(\*) RICAMBI CONSIGLIATI / RECOMMENDED SPARE PARTS / PIECES DETACHEES RECOMMANDEES

DOSATORE DETERGIVO AD IMPULSI  
IMPULSE DETERGENT DISPENSER  
DOSEUR PRODUIT DE LAVAGE IMPULSION

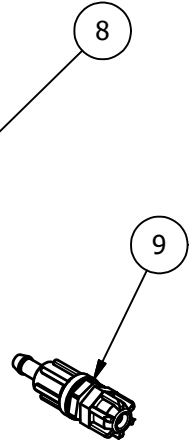
7



8

9

DOSATORE BRILLANTANTE AD IMPULSI  
IMPULSE RINSE-AID DISPENSER  
DOSEUR PRODUIT DE RINCAGE IMPULSION



REV.00  
(09/2020)

TYPE 3455-3456  
DOS. DET./BRILL. IMP.- IMP. DETERG./RINSE-AID DISP. - DOS. PRODUIT LAV./RINC. IMP.

TAV.9\_2

ELEM.	CODICE	DA/FROM MATR.	DESCRIZIONE	DESCRIPTION [EN]	DESCRIPTION [FR]	U.M.
1	00006938		DOSATORE DETERSIVO AD IMPULSI	IMPULSE DETERGENT DISPENSER	DOSEUR PRODUIT DE LAVAGE IMPULSE	No.
2	00012961		TUBO PER DOSATORE DETERSIVO	DETERGENT DISPENSER HOSE	TUYAU DU DOSEUR PRODUIT DE LAVAGE	No.
3	00001368		FILTRO DOSATORE	DISPENSER FILTER	FILTRE DU DOSEUR	No.
4	00002447		ZAVORRA FILTRO	FILTER BALLAST	BALLAST DU FILTRE	No.
5	00006937		DOSATORE BRILLANTANTE AD IMPULSI	IMPULSE RINSE-AID DISPENSER	DOSEUR PRODUIT DE RINCAGE IMPULSE	No.
6	00000061		TUBO PER DOSATORE BRILLANTANTE	RINSE-AID DISPENSER HOSE	TUYAU DU DOSEUR PRODUIT DE RINCAGE	No.
7	00010395		ASS. DOSATORE DETERSIVO AD IMPULSI	IMPULSE DETERGENTE DISPENSER ASSY	ENS. DU DOSEUR PRODUIT DE LAVAGE IMPULSE	No.
8	00010396		ASS. DOSATORE RISCIAQUO AD IMPULSI	IMPULSE RINSE-AID DISPENSER ASSY	ENS. DU DOSEUR PRODUIT DE RINCAGE IMPULSE	No.
9	2018-0001		VALVOLA DI NON RITORNO	NON-RETURN VALVE	CLAPET ANTI-RETOUR	No.

(\*) RICAMBI CONSIGLIATI / RECOMMENDED SPARE PARTS / PIECES DETACHEES RECOMMANDEES