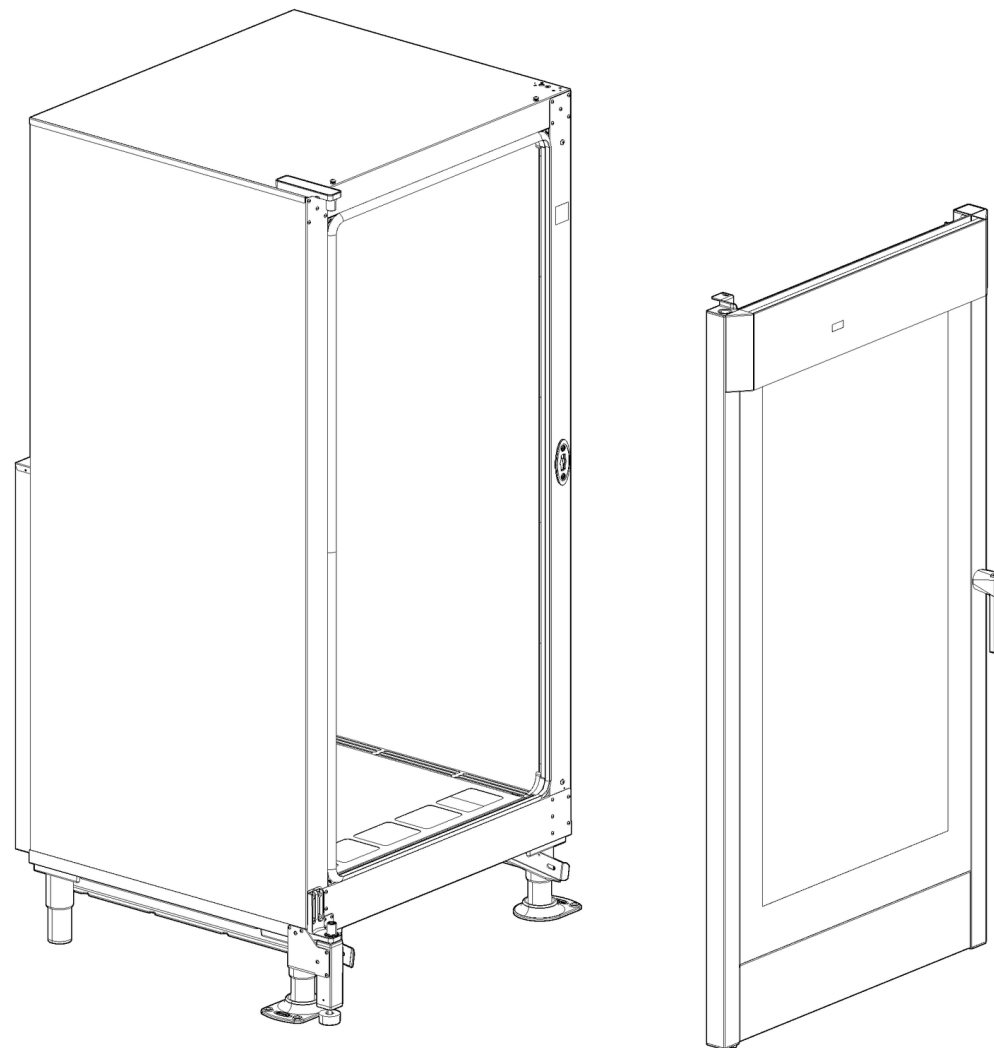
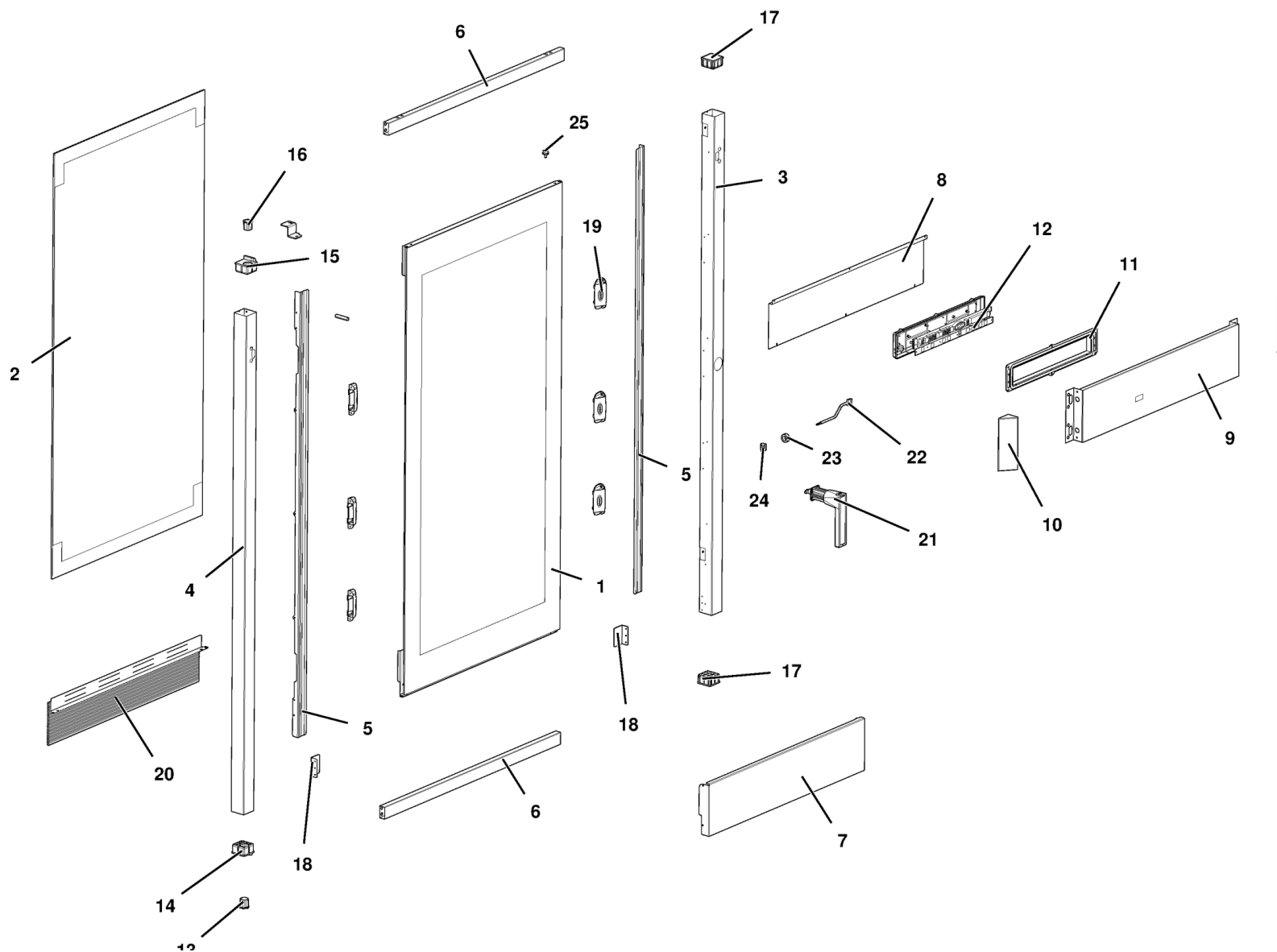


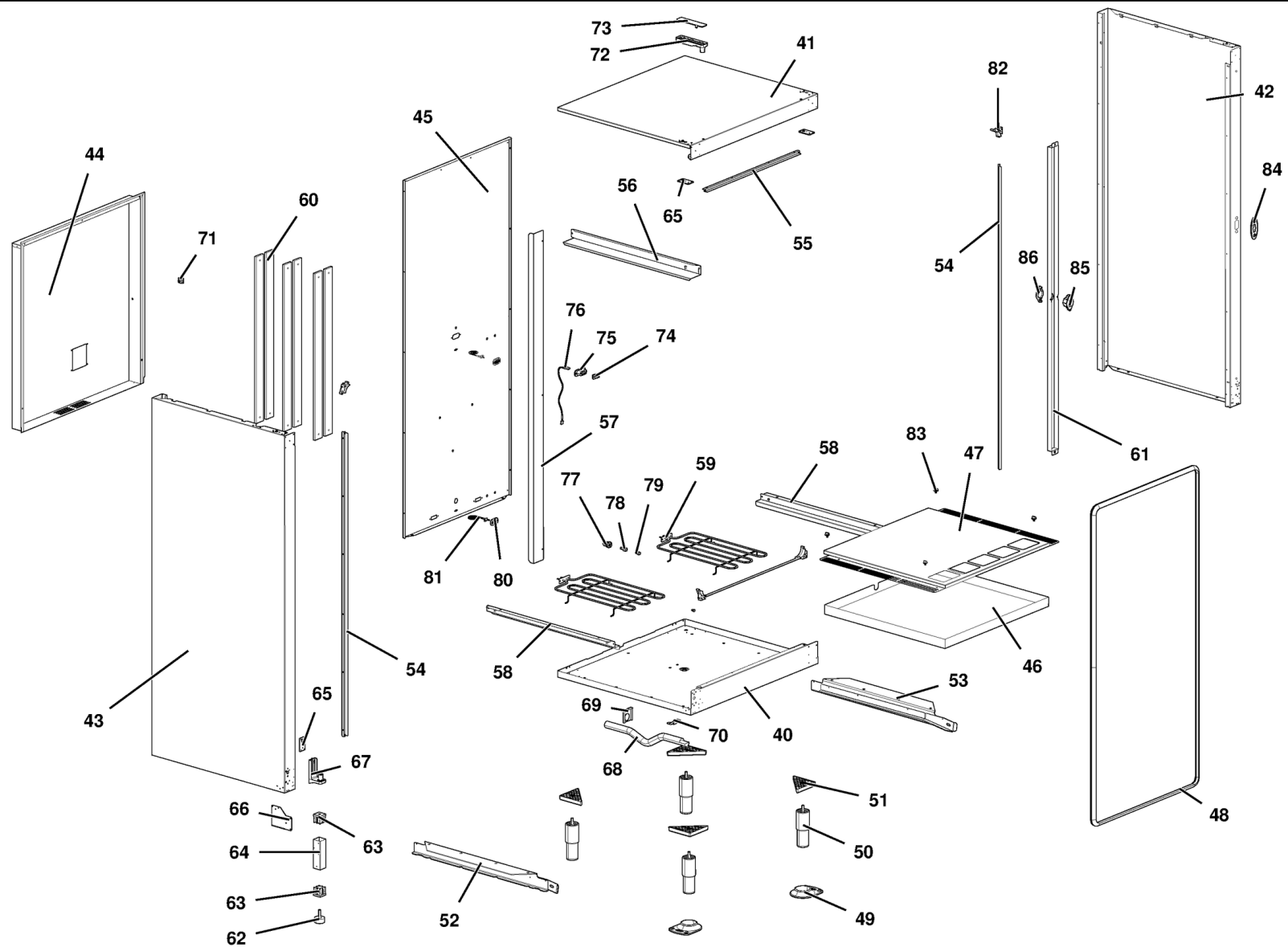
MOD:XL1005



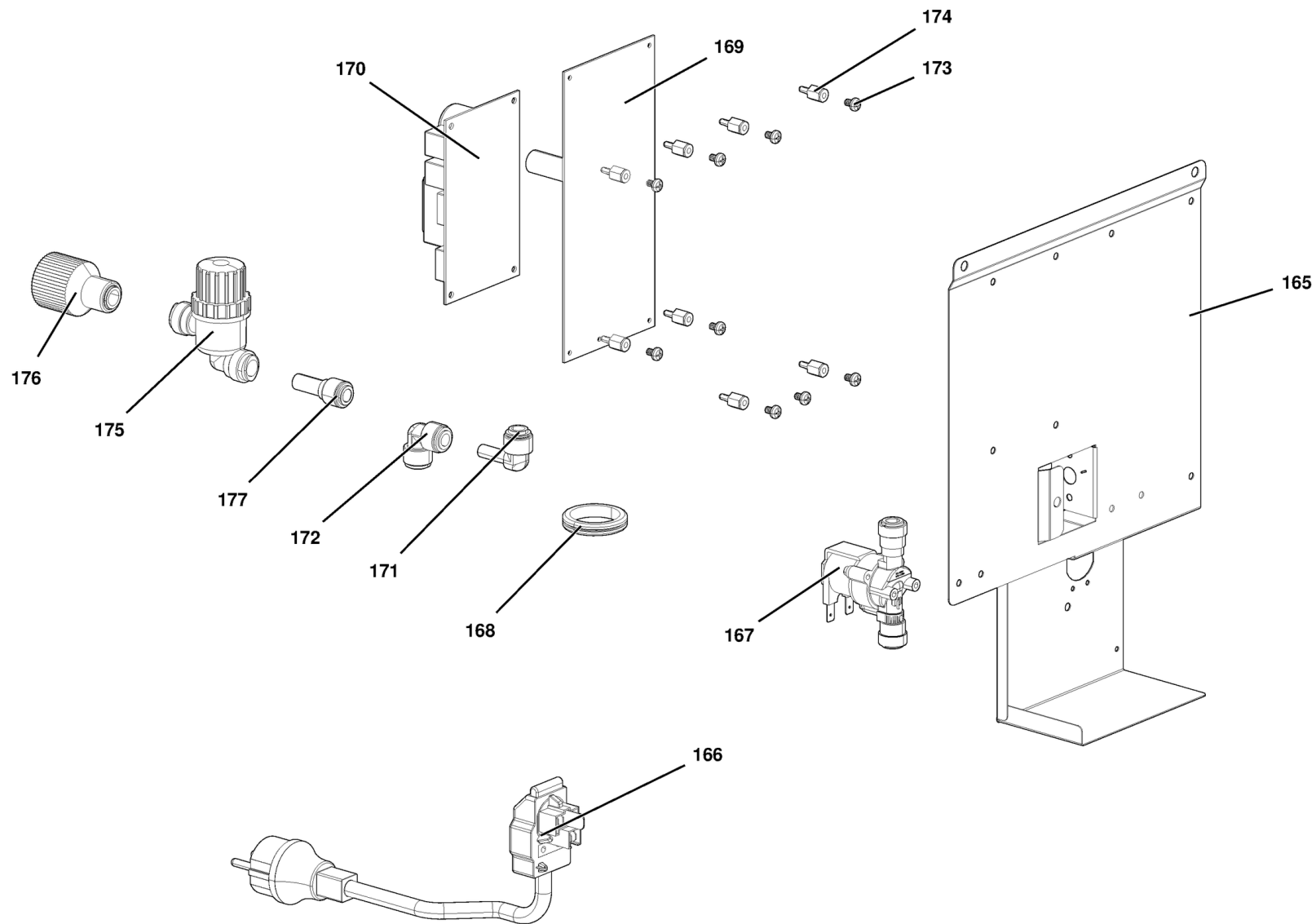
MOD:XL1005



MOD:XL1005



MOD:XL1005



MOD:XL1005



IT

Descrizione codici

1	VT1161A	VETRO ESTERNO SER. 757X1467X5
2	VT1160A	VETRO INTERNO SER. 730X1395X6
3	TB2550A	COLONNINA DX LIEVI. XL100-1005 50x50x1.2
4	TB2336A	COLONNINA SX SERIE 1000/3200/4000 S.5E
5	OH4952A	PROFILO INOX SUPPORTO VETRO EST.
6	OH3170A	LIST. INF/SUP XVC1004/XBC1004 40x20x1
7	OH6458A	PROFILO INFERIORE PORTA XVC1005E/XBC1005
8	OH4450A	LAMIERA CHIUSURA POST. CRUSCOTTO
9	VT1170B	VETRO CRUSCOTTO SER. 757X170X4 XVC1005P
10	OH6720A	FIANCHETTO CRUSCOTTO COMANDI
11	VM1145A	CORNICE CRUSCOTTO C.T.
12	PE1740B	SCHEDA CONTROLLO PE1705 CT BT
13	VM1510A	BOCCOLA SCANALATA PERNO PORTA XBC/XVC
14	VM1171B	TAPPO FULCRO INF. PORTA XVC204/304/504/7
15	VM1170B	TAPPO FULCRO SUP. PORTA XVC204/304/504/7
16	VM1511A	BOCCOLA LISCIA PERNO PORTA CHEFFTOP
17	VM1175A	TAPPO ESTETICO COLONNINA PORTA
18	OH6445A	LAMIERA CAMMA PORTA BIG S.5E
19	VM1591A	STAFFA SPINGIVETRO INTERNO XVC1004
20	GN1348E	GUARNIZIONE PORTA-CARRELLO GN1341B
21	VM1180B	IMPUGNATURA MANIGLIA CT BT
22	CE1310A	CAVO COLLEGAMENTO POTENZA CONTROLLO L3.5
23	CE1285A	FERRITE EMI ROUND MOD. 2643801502
24	CE1290A	MORSETTO FEMMINA ESTRAIBILE CPF 5/4
25	VM1815A	NOTTOLINO M6 CROMATO FISS. GRIGLIE
40	OE1334A	FONDO LIEVITATORE BIG
41	OD2219B	COPERCHIO LIEVITATORE XL1005
42	OD2221A	FIANCO DX LIEVITATORE BIG
43	OD2220B	FIANCO SX LIEVITATORE BIG
44	OH6753B	COVER POSTERIORE LIEVITATORI BIG
45	OF1467B	SCHIENA LIEVITATORE BIG XL1005

46	OH6749A	VASCA LIEVITATORE BIG
47	OH6750A	COPERCHIO VASCA LIEVITATORE BIG
48	GN1392C	GN1006A-GUARNIZIONE PORTA XVC1005-4005
49	VM1014A	ANELLO FISSAGGIO FORNO A PAVIMENTO
50	PD1073A	PIEDE REGOLABILE D50 130-185
51	VM1281A	STAFFA TRIANGOLARE PIEDINO-RUOTA
52	OH6898A	ASM GUIDE CARRELLO SX LIEVIT BIG
53	OH6897A	ASM GUIDE CARRELLO DX LIEVIT BIG
54	OH6752A	GUIDA GUARNIZIONE VERT
55	OH6751A	GUIDA GUARNIZIONE ORIZZ
56	OH6937B	COVER ORIZZ INTERNA LIEVIT BIG
57	OH6936A	COVER VERTICALE INTERNO LIEVIT BIG
58	OH6755A	GUIDA VASCA LIEVITATORE BIG
59	RS1270A	RESISTENZA PIANA 1,2kW 230V
60	VM2180A	BARRA CONTRAPPESSO 50X10
61	OH3280A	LAMIERA REGGI SROCCO XVC1004 XBC1004
62	PD1065A	PIEDINO D45 H20 M10X40
63	VM1125A	TAPPO NYLON CARICATO VETRO FILETTATO
64	TB2461A	TUBO PIEDINO 40x40x1.2
65	OH6718A	ASM CONTROSTAFFA PORTA S.E AISI 304
66	OH6894A	FISSAGGIO LATERALE PIEDINO
67	VM1160B	STAFFA INFERIORE PORTA CT BT
68	TB2463A	TUBO SCARICO LIEVITATORE BIG Ø30x1
69	OH6756A	SUPPORTO POSTERIORE SCARICO
70	OH6896A	SUPPORTO ANTERIORE SCARICO
71	VM1750A	MORSETTIERA A PETTINE
72	VM1165B	STAFFA SUPERIORE PORTA CT BT
73	VM1166A	COPERCHIO STAFFA SUPERIORE PORTA
74	VM1690A	SUPPORTO Sonda UMIDITA XL405
75	VM2160A	PROLUNGA SENSORE UMIDITA
76	TR1120A	SENSORE UMIDITA

77	EL1125A	PASSAPARETE Ø8
78	RC1380A	RIDUZIONE 1/8 FEMM-D8 LIEVITATORE BIG
79	UG1004A	UGELLO ACQUA 1/8" XC415-515-625
80	VM1465A	COPERCHIO Sonda TEMPERATURA CHEFTOP
81	TR1105A	SONDA TEMPERATURA PT100 L1000
82	VM1645A	ANGOLO GUARNIZIONE XL405
83	VM1820A	NOTTOLINO M6 CROMATO FISS. SUPPORTI
84	VM1455A	COPERCHIO PER SCROCCO FORNO XVC-XBC1004
85	VM1190A	SCROCCO MANIGLIA DX CT BT
86	VM1192A	COPERCHIO SCROCCO MANIGLIA CT BT
165	OH6938B	PORTACOMPONENTI LIEVITATORI BIG
166	MR1000A	CAVO 3X1,5 H07RN-F MT1,5+K2/3+SCHUKO
167	EL1411A	ELETTROVALVOLA H2O CON CHECK VALVE
168	GN1045A	GUARN.ANTIVIBR. CAMINO-SCARICO
169	PE1969A	SCHEDA LIEVITATORE
170	PE1780A	SCHEDA ALIMENTAZIONE BUS 230V 50/60HZ
171	EL1195B	RACCORDO GOMITO D8F-D8M
172	EL1185B	RACCORDO GOMITO D8F-D8F
173	V1019A	VITE M4X6 TCB INOX
174	VM1745A	SUPPORTO PER SCHEDA
175	VL1034A	FILTRO ACQUA Ø10 MESH100
176	RC1365A	RACCORDO JG FEMMINA 3/4"-10
177	RC1002A	RACCORDO RIDUZIONE CODOLO 10M-8F
178	TR1100A	TERMOSTATO REG. 269°C 55.19052.80
179	MN1090B	MANOPOLA TIMER 0-60 MIN LM

MOD:XL1005



EN

Codes descriptions

1	VT1161A	SER. EXTERNAL GLASS 757X1467X5
2	VT1160A	SER. INTERNAL GLASS 730x1395x6
3	TB2550A	XL100-1005 PROVER RIGHT DOOR COLUMN
4	TB2336A	S.5E LEFT DOOR COLUMN 1000/3200/4000
5	OH4952A	EXTERNAL GLASS HOLDING PROFILE
6	OH3170A	UPPER/LOWER DOOR LISTEL XVC1004/XBC1004
7	OH6458A	XVC1005E/XBC1005 LOWER DOOR PROFILE
8	OH4450A	CLOSING PLATE BACK COVER
9	VT1170B	XVC1005 CONTROL PANEL GLASS 757X170X4
10	OH6720A	CONTROL BOARD EXTERNAL LATERAL SIDE
11	VM1145A	C.T. BOARD FRAME
12	PE1740B	CT BT CONTROL BOARD PE1705 + BOARD COVER
13	VM1510A	XBC/XVC GROOVED DOOR PIN BUSHING
14	VM1171B	DOOR LOWER FULCRUM CAP
15	VM1170B	UPPER DOOR FULCRUM CAP
16	VM1511A	XBC/XVC SLEEK DOOR PIN BUSHING
17	VM1175A	DOOR COLUMN BLANKING CAP
18	OH6445A	E SERIES BIG OVENS CAM PLATE
19	VM1591A	GLASS BRACKET INT. XVC1004
20	GN1348E	E SERIES DOOR-TROLLEY SEALING H140.3
21	VM1180B	ChefTop/BakerTop HANDLE HAFT
22	CE1310A	POWER - CONTROL BOARD CONNECTING CABLE
23	CE1285A	EMI ROUND FERRITE MOD.2643801502
24	CE1290A	EXTRACTABLE FEMALE TERMINAL CPF 5/4
25	VM1815A	M6 LATERAL SUPPORTS FIXING BOLT
40	OE1334A	XL100-1005 EXTERNAL BOTTOM PANEL
41	OD2219B	XL100-1005 EXTERNAL COVER
42	OD2221A	XL100-1005 EXTERNAL RIGHT SIDE PANEL
43	OD2220B	XL100-1005 EXTERNAL LEFT SIDE PANEL
44	OH6753B	XL100-1005 EXTERNAL BACK COVER
45	OF1467B	XL100-1005 EXTERNAL BACK PANEL

46	OH6749A	XL100-1005 PROVER WATER TRAY
47	OH6750A	XL100-1005 PROVER WATER TRAY
48	GN1392C	XVC1005-4005 DOOR GASKET - GN1006A
49	VM1014A	RING MOUNTING OVEN TO THE FLOOR
50	PD1073A	D50 ADJUSTABLE FOOT 130-185mm
51	VM1281A	TRIANGULAR BRACKET FOR FOOT AND WHEEL
52	OH6898A	XL100-1005 PROVER TROLLEY LEFT GUIDE
53	OH6897A	XL100-1005 PROVER TROLLEY RIGHT GUIDE
54	OH6752A	VERTICAL SEALING GUIDE
55	OH6751A	HORIZONTAL SEALING GUIDE
56	OH6937B	XL100-1005 PROVER INT. HORIZONTAL COVER
57	OH6936A	XL100-1005 PROVER INT. HORIZONTAL COVER
58	OH6755A	XL100-1005 PROVER WATER TRAY GUIDE
59	RS1270A	1,2kW 230V FLAT HEATING ELEMENT
60	VM2180A	50X10 BALANCE BAR
61	OH3280A	XVC1004 XBC1004 SPRING LATCH HOLDER
62	PD1065A	ACCESSORY FOOT D45 H20 M10X40
63	VM1125A	NYLON/GLASS THREADED CAP FOR SQUARE
64	TB2461A	FOOT SQUARE TUBE 40x40x1.2
65	OH6718A	S.E DOOR COUNTERBRACKET
66	OH6894A	FOOT LATERAL LOCK
67	VM1160B	CT BT DOOR LOWER BRACKET
68	TB2463A	XL100-1005 DRAIN PIPE Ø30x1
69	OH6756A	DRAIN BACK SUPPORT
70	OH6896A	DRAIN FRONT SUPPORT
71	VM1750A	TERMINAL BOARD
72	VM1165B	CT BT DOOR UPPER BRACKET
73	VM1166A	CAP FOR DOOR UPPER STIRRUP XVC204/304/5
74	VM1690A	HUMIDITY PROBE SUPPORT XL405
75	VM2160A	HUMIDITY SENSOR EXTENSION
76	TR1120A	HUMIDITY SENSOR

77	EL1125A	WALL PASSING SEAL Ø8
78	RC1380A	XL100-1005 FEMALE D8 1/8 REDUCER
79	UG1004A	XC415-515-625 1/8" WATER NOZZLE
80	VM1465A	CHEFTOP TEMPERATURE PROBE COVER
81	TR1105A	TEMPERATURE PROBE PT100 L1000
82	VM1645A	CABINET AND PROVER GASKET CORNER
83	VM1820A	LATERAL SUPPORTS M6 FIXING BOLTS
84	VM1455A	SPRING LATCH COVER XVC-XBC1004
85	VM1190A	CT BT RIGHT DOOR SPRING LATCH
86	VM1192A	CT BT DOOR SPRING LATCH COVER
165	OH6938B	XL100-1005 ELECTRIC COMPONENTS HOLDER
166	MR1000A	CABLE 3X1,5 H07RN-F MT1,5+K2/3+SCHUKO
167	EL1411A	SOLENOID VALVE WITH CHECK VALVE
168	GN1045A	ANTIVIBR.SEAL FOR EXHAUST CHIMNEY
169	PE1969A	BAKERTOP PROVER POWER CARD
170	PE1780A	CARDBUS 230V 50/60HZ
171	EL1195B	D8F-D8M ELBOW CONNECTION
172	EL1185B	D8F-D8F ELBOW FITTING
173	V1019A	SCREW M4x6 TCB INOX
174	VM1745A	BOARD SUPPORT
175	VL1034A	Ø10 MESH100 WATER FILTER
176	RC1365A	3/4"-10 JG FEMALE CONNECTION
177	RC1002A	10M-8F J.G. TERMINAL REDUCTION FITTING
178	TR1100A	269°C ADJUSTABLE THERMOSTAT 55.19052.80
179	MN1090B	0-60 MIN TIMER KNOB