

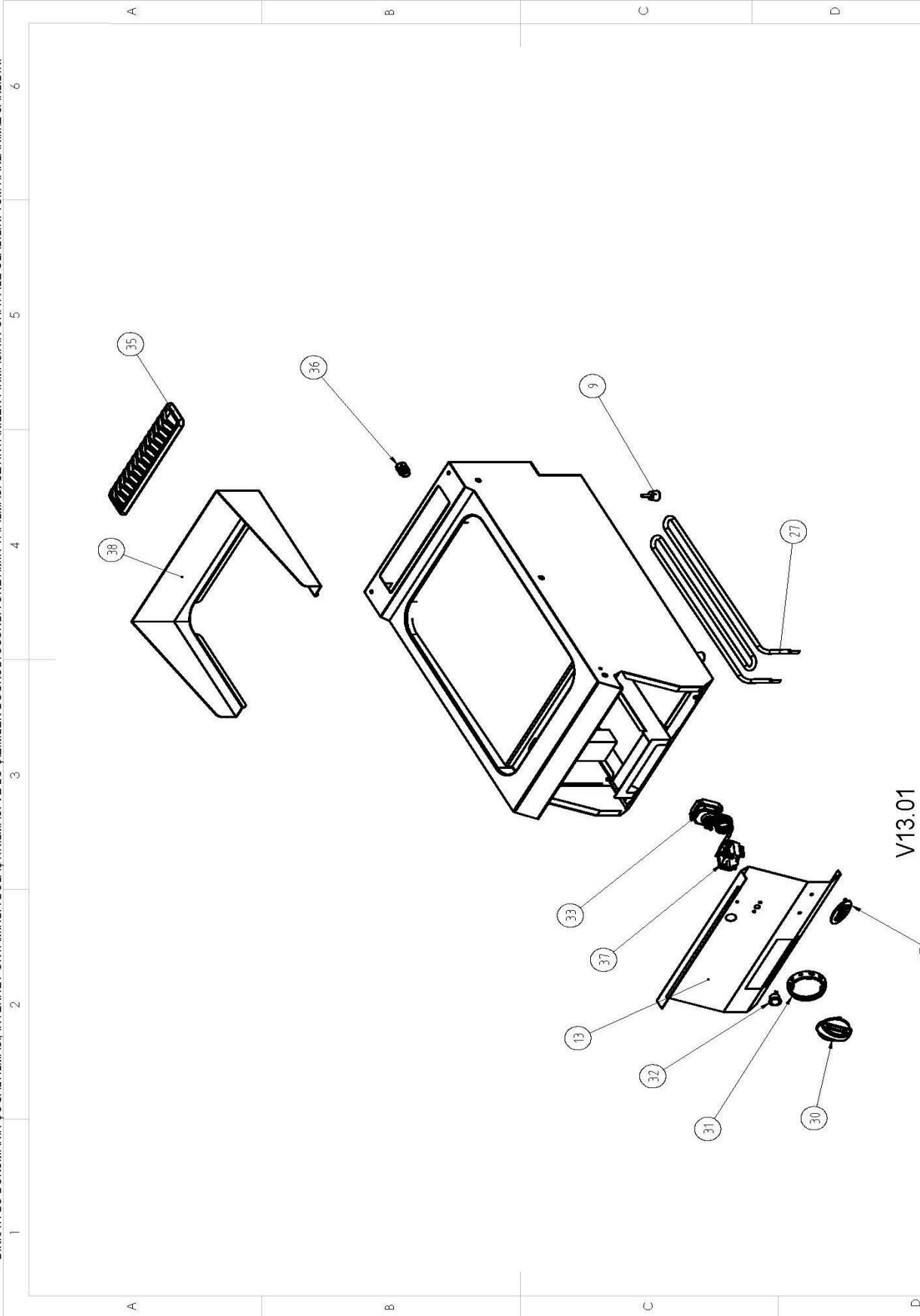


SPARE PART LIST

Spare Part ItemCode	Item name.	PictureId
2864.N20.04000290.E.10	FRONT PANEL FOR 40'S ELECTRICAL GRILLS	13
6246.00011.03	HEATING ELEMENT 1500 W 230 V	27
6260.00015.45	THERMOPLASTIC KNOB MAIN BODY WITH 6 mm INSERT	30
6260.00015.32	THERMOPLASTIC KNOB SCALE 50-300 C	31
6251.00004.30	SIGNAL LAMP BLACK BODY GREEN LENS NEON 100K-220V	32
6234.00001.14	THERMOSTAT 50-300 C TRIPHASE	33
2179.09028.01	LABEL FOR FRONT PANEL "ÖZT RYAK LER"	34
6260.00058.96	FLUE COVER CAST IRON WITH CERAMIC ENAMEL COATED FOR ALL 700&900	35
6259.00003.10	CABLE GLAND PG 21	36
6254.00005.04	4 POLE ON-OFF SWITCH	37
2864.N20.09880139.9.15	SPLASHGUARD FOR 40'S GRILLS	38
6260.00002.05	ADJUSTABLE LEG M6	9



DIKKAT: BU DÖKÜMANIN COĞALTILMASI İNTERNET ORTAMINDA DOLAŞTIRILMASI VE BU ÇİZİMLER DOĞRULUSUNDA ÜRETİMİN YAPILMASI ÖZTİRYAKİLER FİRMANININ ONAYI İLE OLABİLİR. TÜM HAKLARIMIZ SAKLIDIR.



V13.01

Özti ryakiler

OG E 4070 PATLAM IŞ

RİSD	BİİM	İMZA	TARİH	MATERYAL	TOLERANS
ÇİZEN	T.ERDOĞAN		04.01.2013		DIN 7168
KONTROL	M.HACI		04.01.2013		ORTA
ONAY	M.HACI		04.01.2013		PARÇ ADE
					OG E 4070 PATLAM IŞ
					T. RESİM NO
					ÖLÇEK 1:1
					REVİZYON 2
					KALINLIK
					38427.46
					TÜM ÖLÇÜLER mm ÇİNSİNDİR

Ar-Ge

KONTROLLÜ KOPYA

V13.01

RESİM ÜZERİNDEN ÖLÇÜ ALMAYINIZ!
WARNING: IT IS APPROPRIATE TO MULTIPLY, USE, DISPLAY AT COMPUTER/INTERNET AND PRODUCE THE PRODUCT WITH ITS DRAWINGS WITH THE APPROVAL OF ÖZTİRYAKİLER COMPANY. ALL RIGHTS RESERVED.