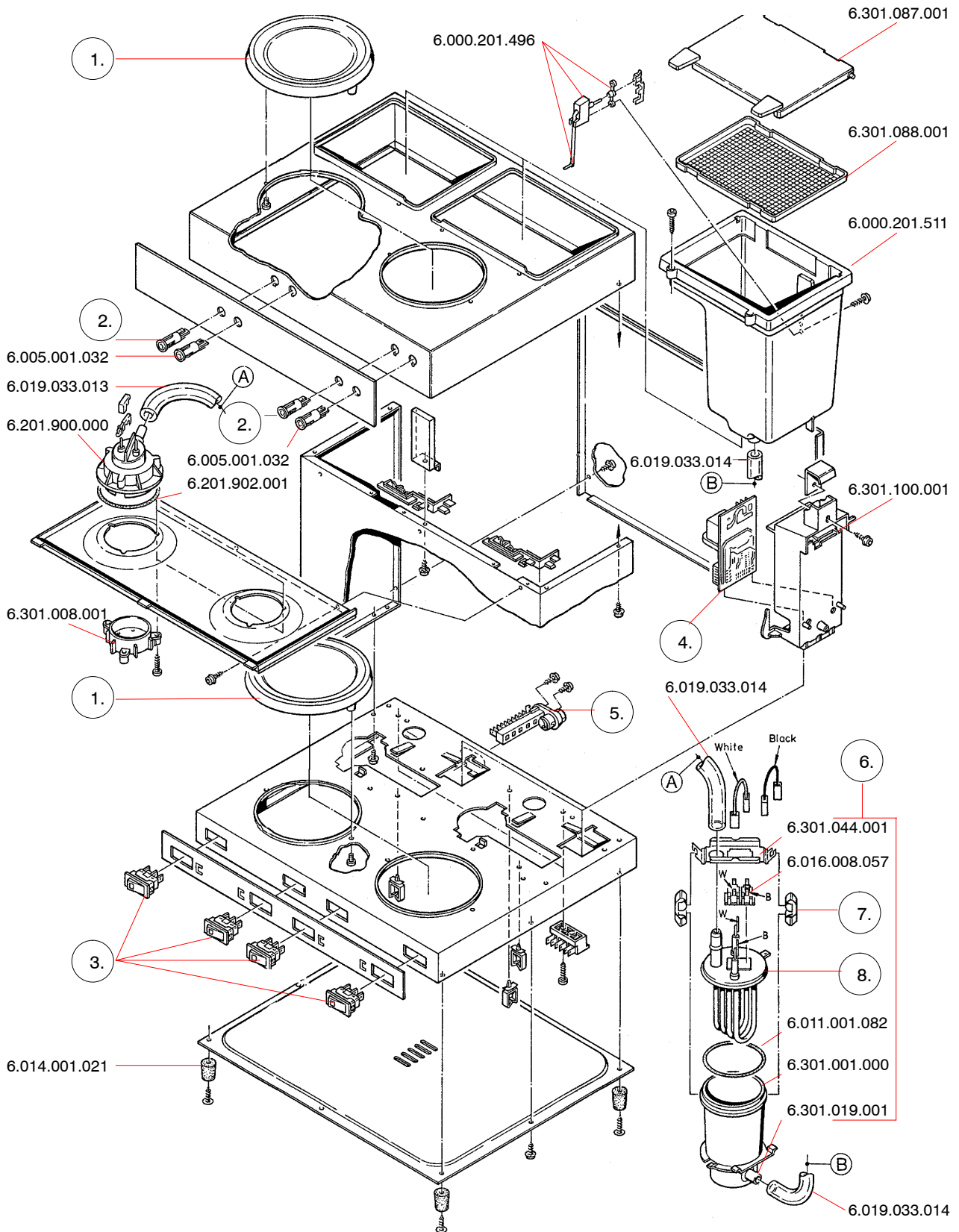
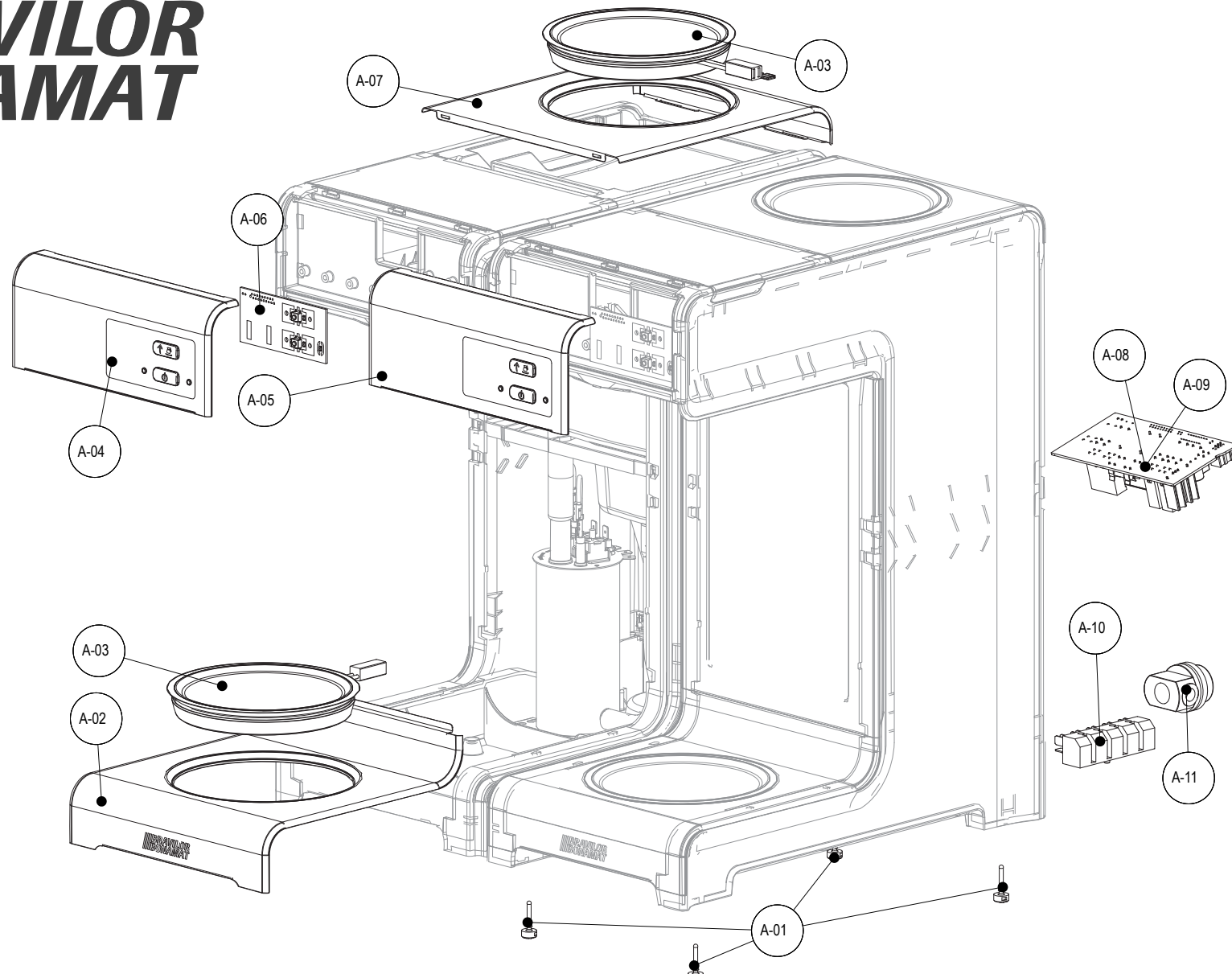


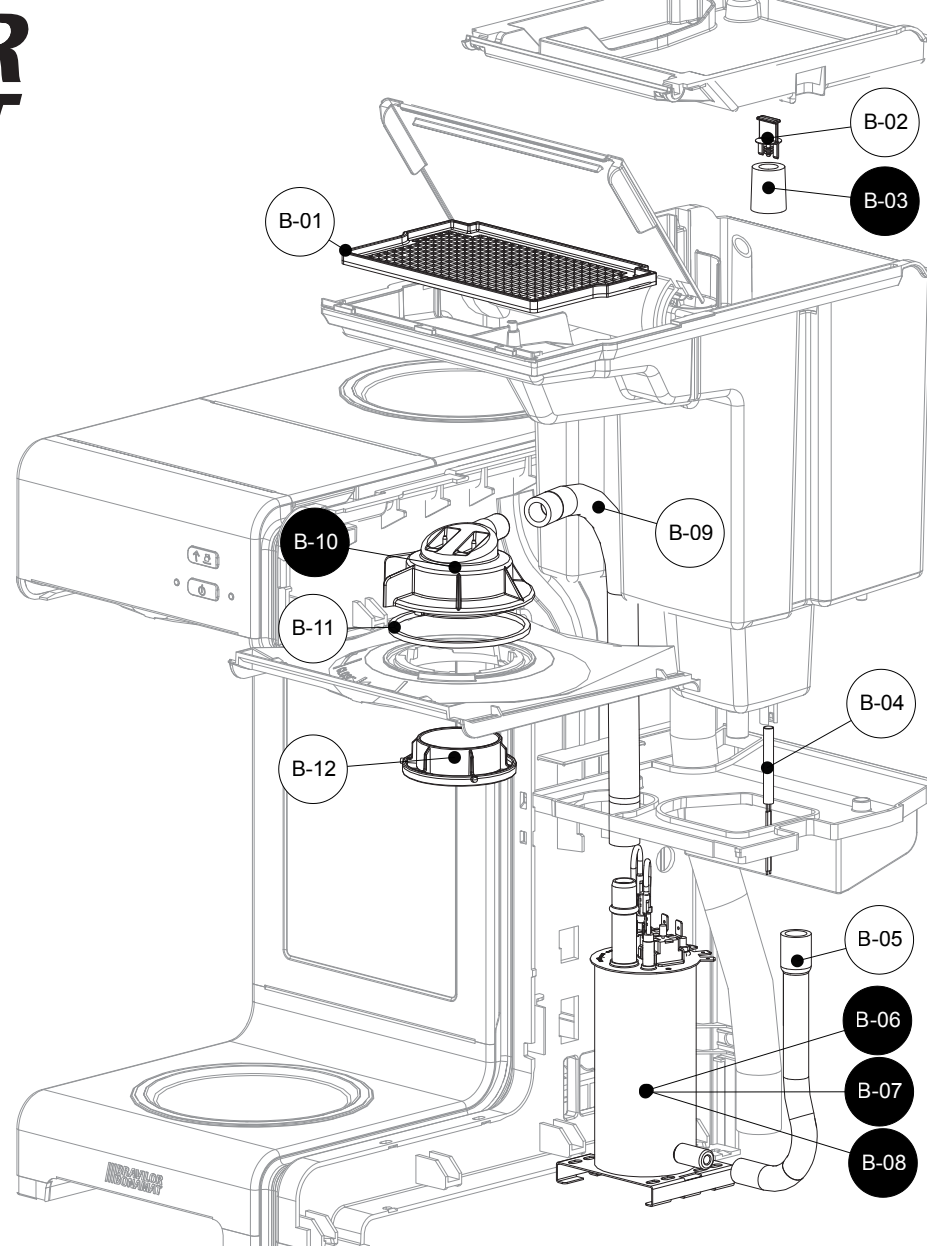
MONDO TWIN (<-- 1996)



		Mondo Twin (220V~ / 240V~)	Mondo Twin (200V3~ / 380V3N~ / 415V3N~)
1.	STD	6.301.023.000	6.301.023.000
	GB / HK	6.301.134.000	6.301.134.000
2.	STD	6.005.001.035	6.005.001.035
	DE	6.005.001.034	6.005.001.034
3.	STD	6.004.001.045	6.004.001.045
	DE	6.004.001.051	6.004.001.051
4.	STD	6.301.713.000	6.301.173.000
	SF	6.301.718.000	6.301.718.000
5.	STD	6.006.001.101	6.006.001.102
	OCE / AUS / NZ / RP	6.006.001.107	
6.	STD	6.000.201.675	6.000.201.652
	GB / HK	6.000.201.676	6.000.201.652
	OCE / AUS / NZ	6.000.201.601	
7.	STD	6.301.045.001	6.301.045.001
	GB / HK	6.000.201.581	6.000.201.581
8.	STD	6.301.201.000	6.301.002.000
	GB / HK	6.301.338.000	6.301.002.000
	OCE / AUS / NZ	6.301.492.000	



BOM Id	Description	S-RS	Nederlands	English	Deutsch	Français
A-01	6.101.039.001	S	Insert pootje	Insert foot	Einsatz Fuss	Caoutchouc pied
A-02	6.101.033.001	S	Onderpaneel	Lower panel	Unterspanel	Panneau inférieur
A-03	6.101.072.000	RS	Warmhoudplaat	Hotplate	Heiplatte	Plaque chauffante
A-04	6.101.139.001	S	Bovenpaneel bedrukt	Upperpanel printed	Obenspanel Bedrukt	Panneau suprieur imprim
A-05	6.101.140.001	S	Bovenpaneel bedrukt	Upperpanel printed	Obenspanel Bedrukt	Panneau suprieur imprim
A-06	6.101.160.000	RS	Keyboard	Keyboard	Tastatur	Slecteur
A-07	6.101.027.001	S	Bovenpaneel	Upper panel	Obenspanel	Panneau suprieur
A-08	6.101.047.000	RS	Print	Print board	Leiterplatte	Circuit imprim
A-09	6.101.151.000	RS	Print (GB)	Print board (GB)	Leiterplatte (GB)	Circuit imprim (GB)
A-10	6.002.019.150	S	Bedradingsstrip	Wire clamp	Drahtstreifen	Domino raccord
A-11	6.006.001.019	S	Snoerinvoer	Cord inlet	Kabeleinfuhr	Passe fil



BOM Id	Description	S-RS	Nederlands	English	Deutsch	Français
B-01	6.101.011.001	S	Zeef waterreservoir	Sieve for watertank	Sieb für Wasserbehälter	Tamis pour réservoir eau
B-02	6.101.105.001	S	Borging vlotter	Locking device float	Schützvorrichtung Schwimmer	Blockage du flotteur
B-03	6.101.093.001	RS	Vlotter	Float	Schwimmer	Flotteur
B-04	6.101.113.000	RS	Magneetschakelaar	Reed contact	Magnetschalter	Contact magnétique
B-05	6.101.081.001	S	Slang	Tube	Schlauch	Tuyau
B-06	6.101.061.000	RS	Doorstroomelement 230V 2000W	Flow boiler 230V 2000W	Durchlauferhitzer 230V 2000W	Chaudière 230V 2000W
B-07	6.101.133.000	RS	Doorstroomelement 230V 1600W	Flow boiler 230V 1600W	Durchlauferhitzer 230V 1600W	Chaudière 230V 1600W
B-08	6.101.137.000	RS	Doorstroomelement 240V 1400W	Flow boiler 240V 1400W	Durchlauferhitzer 240V 1400W	Chaudière 240V 1400W
B-09	6.101.080.000	S	Slang	Tube	Schlauch	Tuyau
B-10	6.101.008.001	S	Sproeikop (compleet)	Water spreader (assy)	Sprühkopf (komplett)	Arroseur (ens)
B-11	6.011.001.157	S	O-ring	O-ring	O-Ring	Rondelle
B-12	6.101.062.001	S	Sproeibakje	Spraying tank	Sprühkasten	Bassin d'arrosage