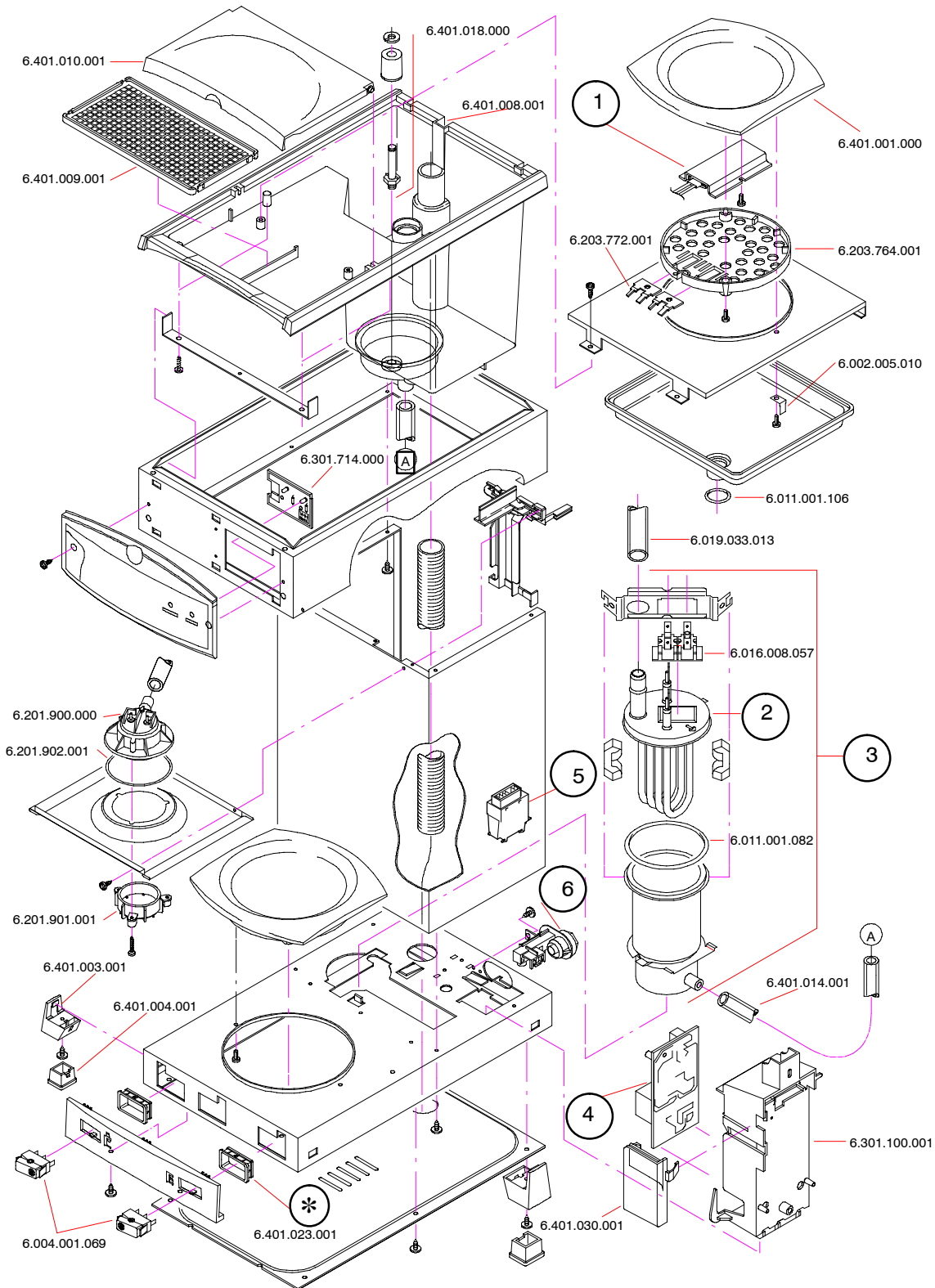
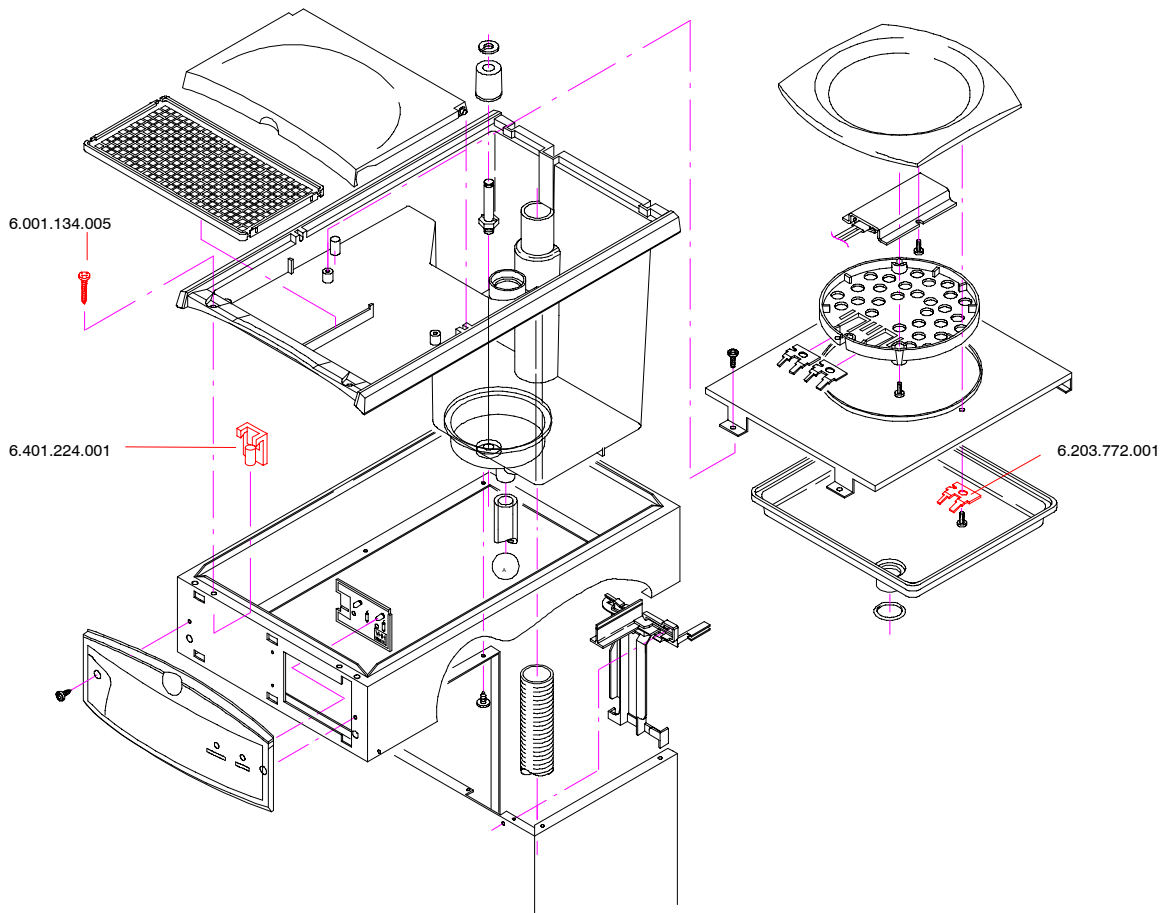
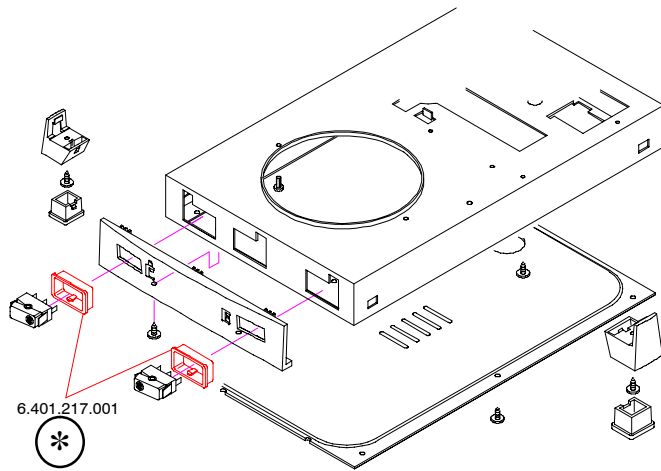


MONDO (1996 -->)

V1.0

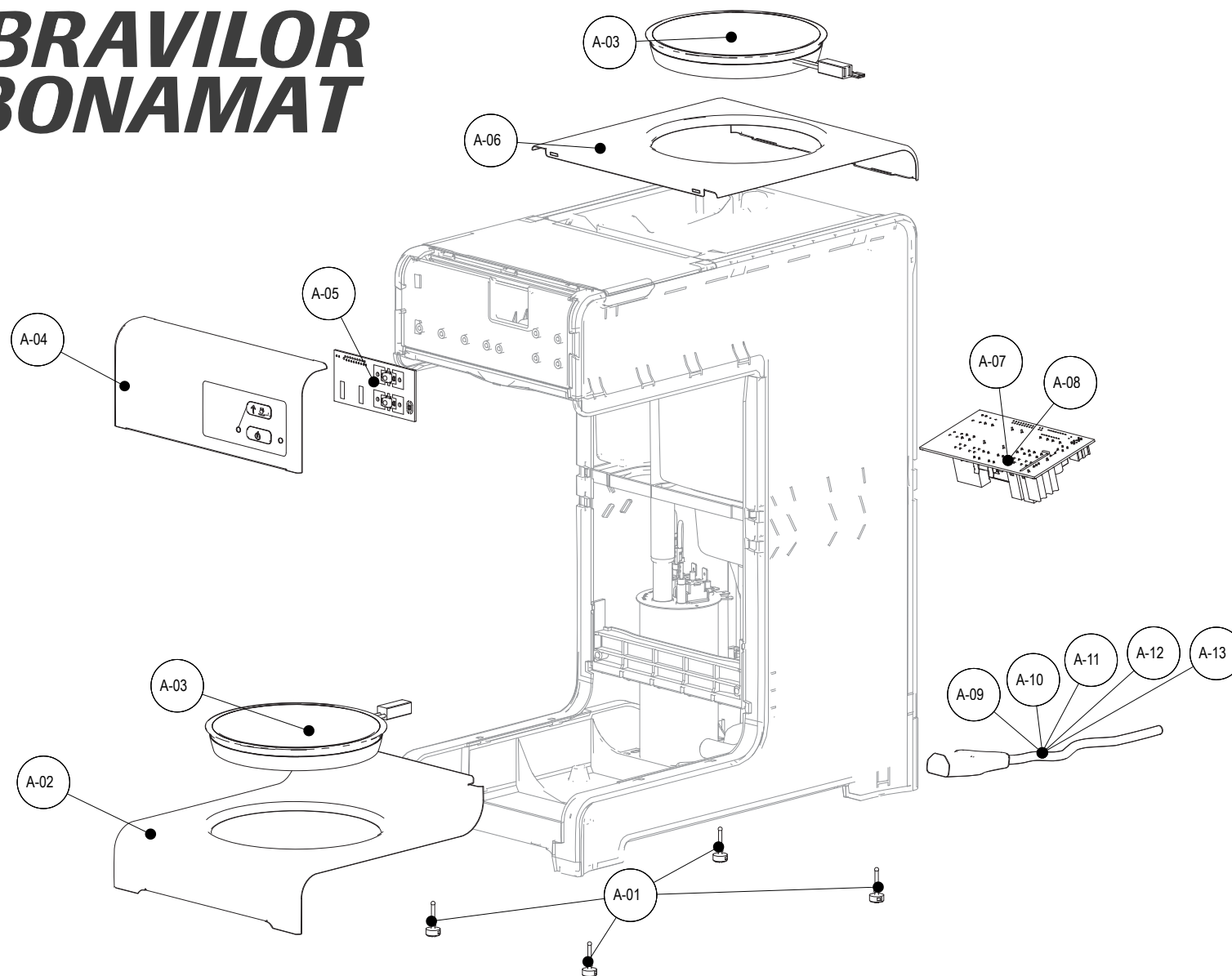


V2.0

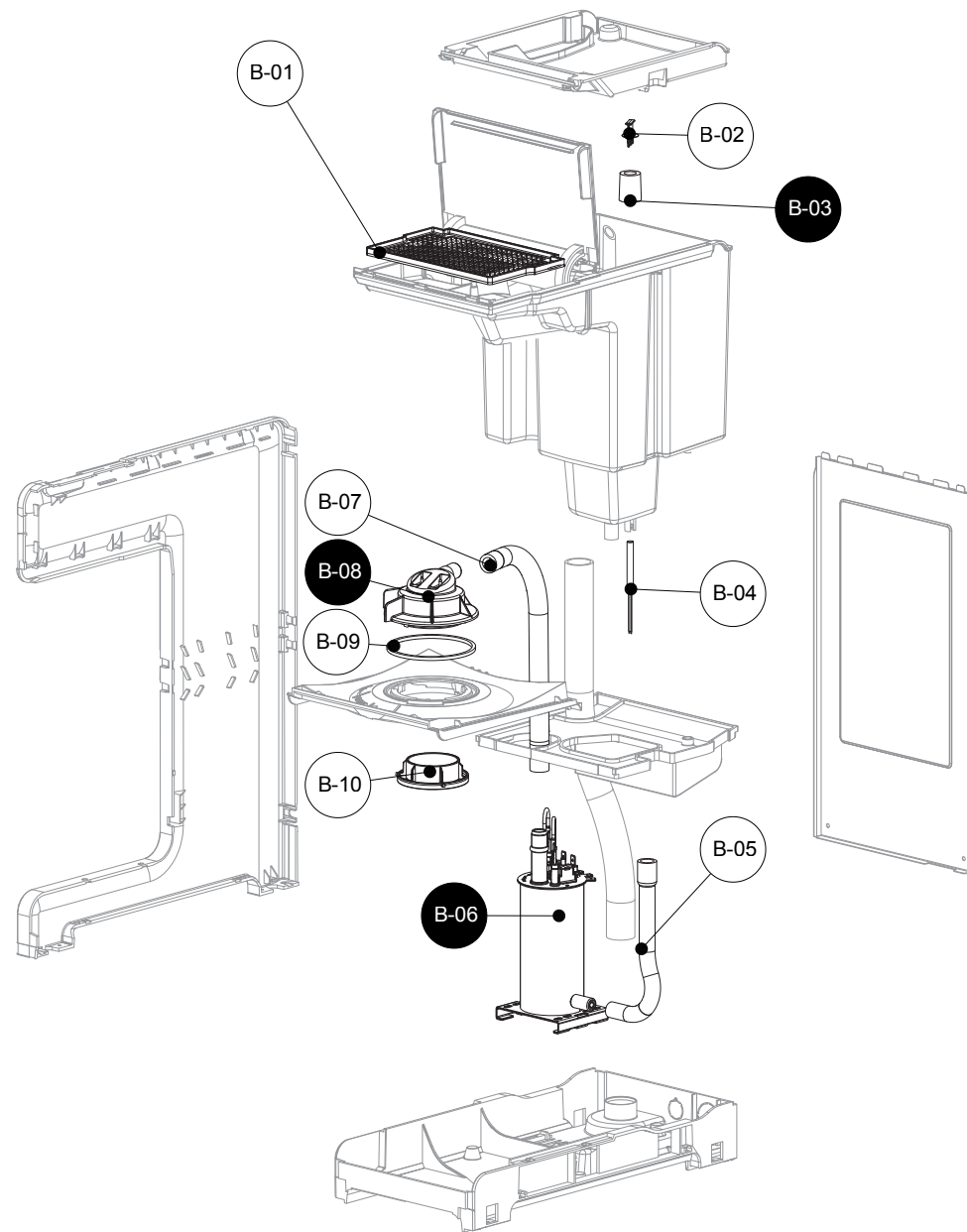


		Mondo 1, 2, 3WB	Mondo Twin (1N)	Mondo Twin (3N)
1.	STD	6.401.076.000	6.401.076.000	6.401.076.000
	IRL / GB	6.401.077.000	6.401.077.000	6.401.077.000
	HK	6.401.077.000		6.401.077.000
	OCE	6.401.212.000	6.401.242.000	
2.	STD	6.301.002.000	6.301.201.000	6.301.002.000
	IRL / GB / STA	6.301.002.000	6.301.338.000	6.301.002.000
	MEX (127V)	6.301.788.000	6.301.492.000	6.301.492.000
	OCE	6.301.492.000	6.301.492.000	6.301.492.000
	TWN (110V)/ SPE (127V)	6.301.191.000		
	STA		6.301.338.000	
3.	STD	6.000.201.652	6.000.201.675	6.000.201.652
	IRL / GB	6.000.201.652	6.000.201.676	6.000.201.652
	MEX (127V)	6.000.201.691	6.301.492.000	6.301.492.000
	OCE	6.000.201.658	6.000.201.658	
	TWN (110V) / SPE (127V)	6.000.201.660		
	STA		6.000.201.676	
4.	STD	6.301.713.000	6.301.713.000	6.301.713.000
	IRL / GB	6.301.719.000	6.301.719.000	6.301.719.000
	SF	6.301.718.000	6.301.718.000	6.301.718.000
	TWN (110V)/ MEX (127V)/ SPE (127V)	6.301.717.000		
5.	STD			
	TWN (110V)	6.004.002.059		
6.	STD	6.006.001.101	6.006.001.101	6.006.001.102
	RP / TWN (110V)/ MEX (127V)	6.006.001.107	6.006.001.107	
7.	STD			6.002.019.160

		Mondo 3WB
*	STD	6.004.001.070



BOM Id	Description	S-RS	Nederlands	English	Deutsch	Français
A-01	6.101.039.001	S	Insert pootje	Insert foot	Einsatz Fuss	Caoutchouc pied
A-02	6.101.033.001	S	Onderpaneel	Lower panel	Unterspanel	Panneau inférieur
A-03	6.101.072.000	RS	Warmhoudplaat	Hotplate	Heiplatte	Plaque chauffante
A-04	6.101.139.001	S	Bovenpaneel bedrukt	Upperpanel printed	Obenspanel Bedrukt	Panneau suprieur imprim
A-05	6.101.160.000	RS	Keyboard	Keyboard	Tastatur	Slecteur
A-06	6.101.027.001	S	Bovenpaneel	Upper panel	Obenspanel	Panneau suprieur
A-07	6.101.047.000	RS	Print	Print board	Leiterplatte	Circuit imprim
A-08	6.101.151.000	RS	Print (GB)	Print board (GB)	Leiterplatte (GB)	Circuit imprim (GB)
A-09	6.003.012.151	S	Aansluitsnoer (STD)	Power cord (STD)	Anschlusskabel (STD)	Cble (STD)
A-10	6.003.012.156	S	Aansluitsnoer (DK)	Power cord (DK)	Anschlusskabel (DK)	Cble (DK)
A-11	6.003.012.157	S	Aansluitsnoer (OCE)	Power cord (OCE)	Anschlusskabel (OCE)	Cble (OCE)
A-12	6.003.012.158	S	Aansluitsnoer (CH)	Power cord (CH)	Anschlusskabel (CH)	Cble (CH)
A-13	6.003.012.160	S	Aansluitsnoer (GB)	Power cord (GB)	Anschlusskabel (GB)	Cble (GB)



BOM Id	Description	S-RS	Nederlands	English	Deutsch	Français
B-01	6.101.011.001	S	Zeef waterreservoir	Sieve for watertank	Sieb für Wasserbehälter	Tamis pour réservoir eau
B-02	6.101.105.001	S	Borging vlotter	Locking device float	Schützvorrichtung Schwimmer	Blockage du flotteur
B-03	6.101.093.001	RS	Vlotter	Float	Schwimmer	Flotteur
B-04	6.101.113.000	RS	Magneetschakelaar	Reed contact	Magnetschalter	Contact magnétique
B-05	6.101.081.001	S	Slang	Tube	Schlauch	Tuyau
B-06	6.101.061.000	RS	Doorstroomelement 230V 2000W	Flow boiler 230V 2000W	Durchlauferhitzer 230V 2000W	Chaudière 230V 2000W
B-07	6.101.080.000	S	Slang	Tube	Schlauch	Tuyau
B-08	6.101.008.001	S	Sproeikop (compleet)	Water spreader (assy)	Sprühkopf (komplett)	Arroseur (ens)
B-09	6.011.001.157	S	O-ring	O-ring	O-Ring	Rondelle
B-10	6.101.062.001	S	Sproeibakje	Spraying tank	Sprühkasten	Bassin d'arrosage