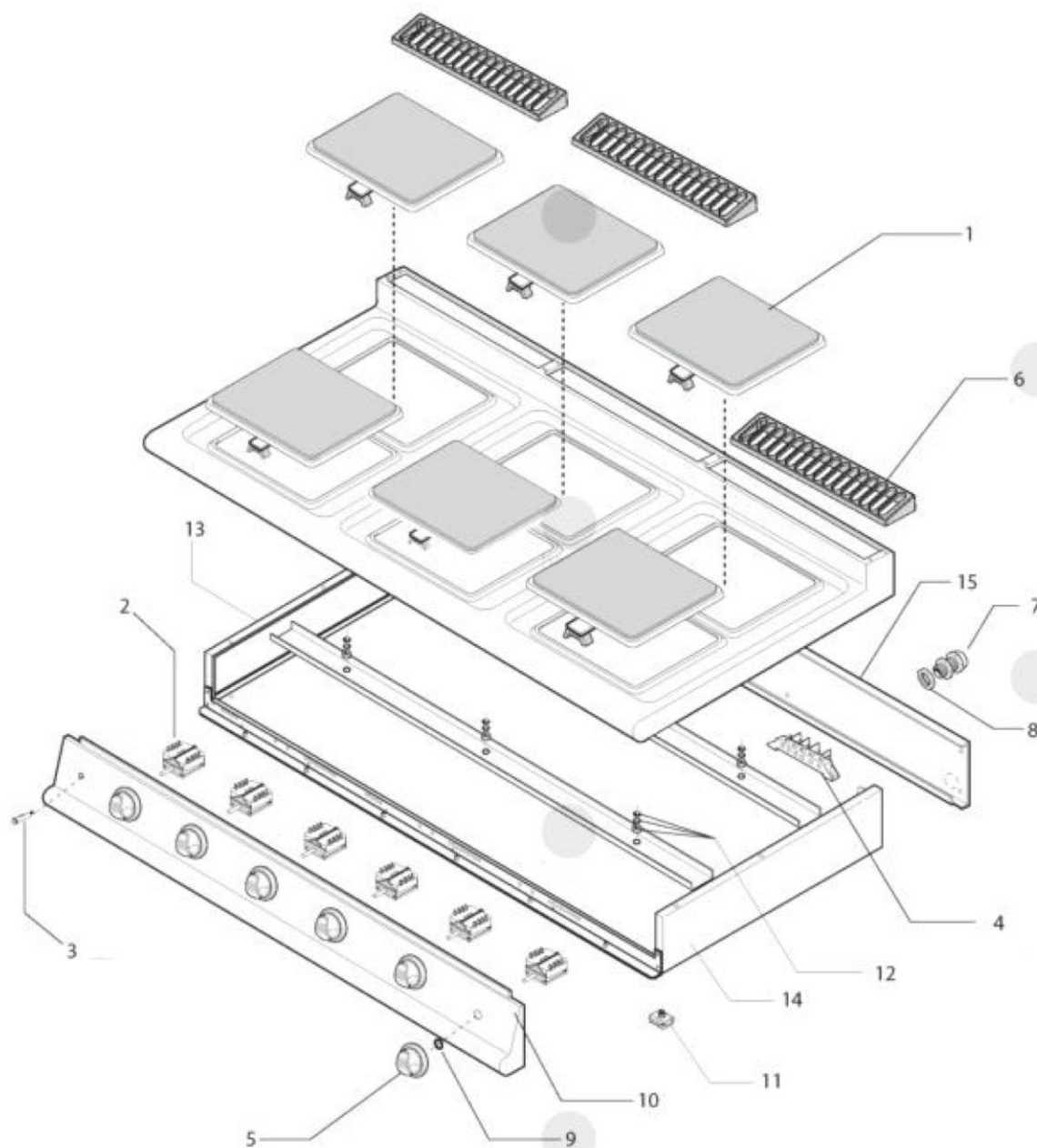


Apach
CHEF *line*

700
ELECTRIC RANGE / CUCINE ELETTRICHE



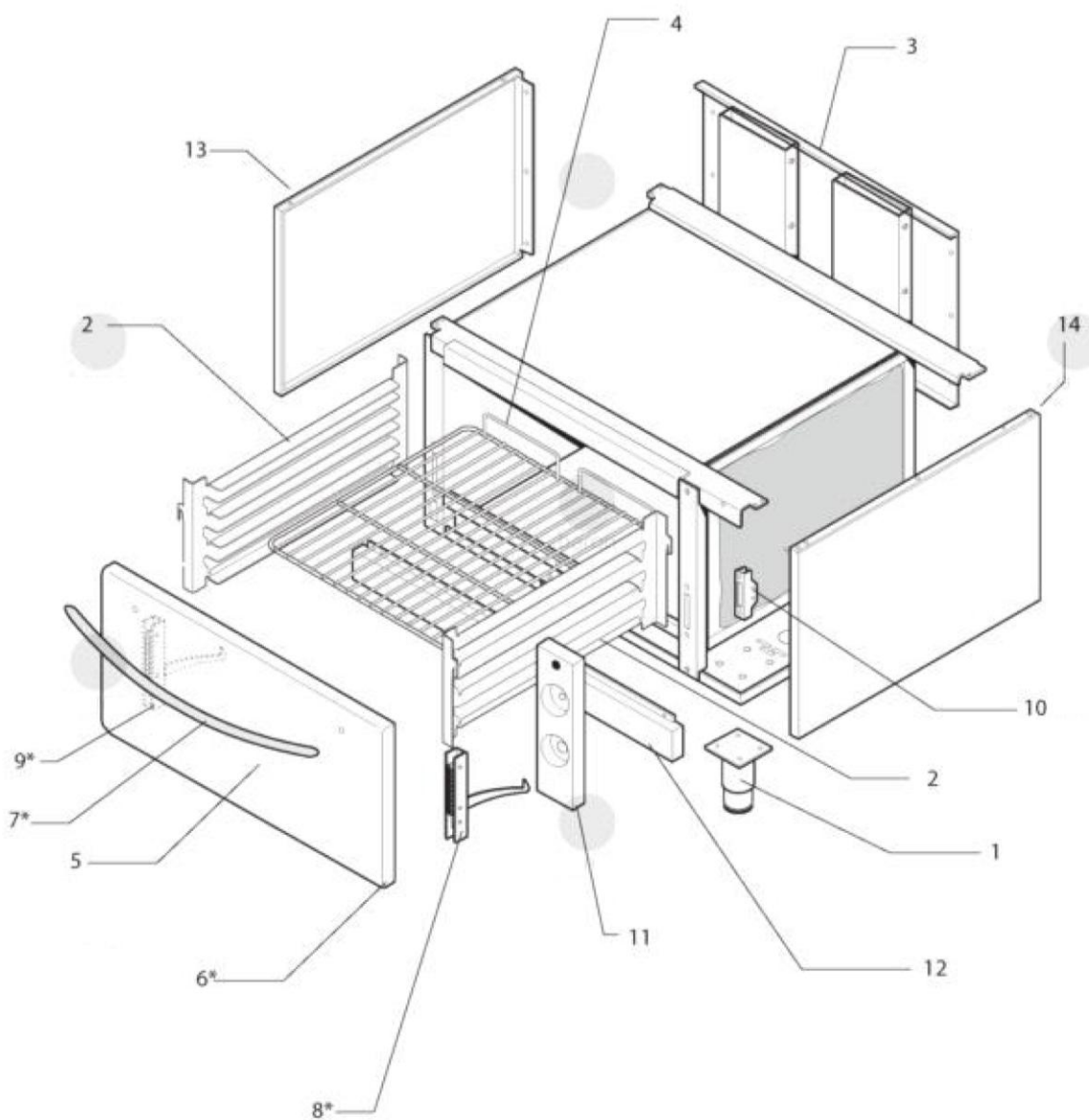
Table_A

LRE127FECS

Pos	Code	Description	Price (€)
0001	CR1078117R	ELECTRIC PLATE [C] 2600W	
0001	MA1712913	SQUARE EL. PLATE 220X220 2600W 230V EGO1122454237	
0002	MA1616100	SWITCHER EGO PLATE 4927215746	
0003	CR0587500	ORANGE LIGHT WITH GASKET 3122000478	
0004	CR0588170	TERMINAL BOARD	
0005	CR0934760R	KNOB [C] 6 WAYS COMMUTATOR 60	
0006	CR0901240	PROTECTION GRID [C] SMOKE DRAIN M40	
0007	CR1020960	FAIRLEAD [C]	
0008	CR1020970	CONTRODADO OBO 116/PG21 NY	
0009	CR0587650	GASKET	
0010	CR0903280	ASS.CRUSCOTTO CUCINE INDUZ.WOK M40 BARON	
0011	MA1878400	TERMINAL BLOCK [C]	
0012	BN6A005305	ROSETTE PIANE DIAM. 8 A2	
0012	BN6A008500	ROSETTE DEV. M8 BRUNITE (KB W)	
0012	BN6A011000	DADO M 8 ZINCATO 6S (KB W)	
0013	CR0907090	SIDE PANEL LH TOP 700	
0014	CR0907070	ASS.FIANCO DX TOP 700 BARON	
0015	CR1023010	BACK PANEL [C] M80	

Apach
CHEF *line*

700
ELECTRIC OVENS / FORNO ELETTRICO



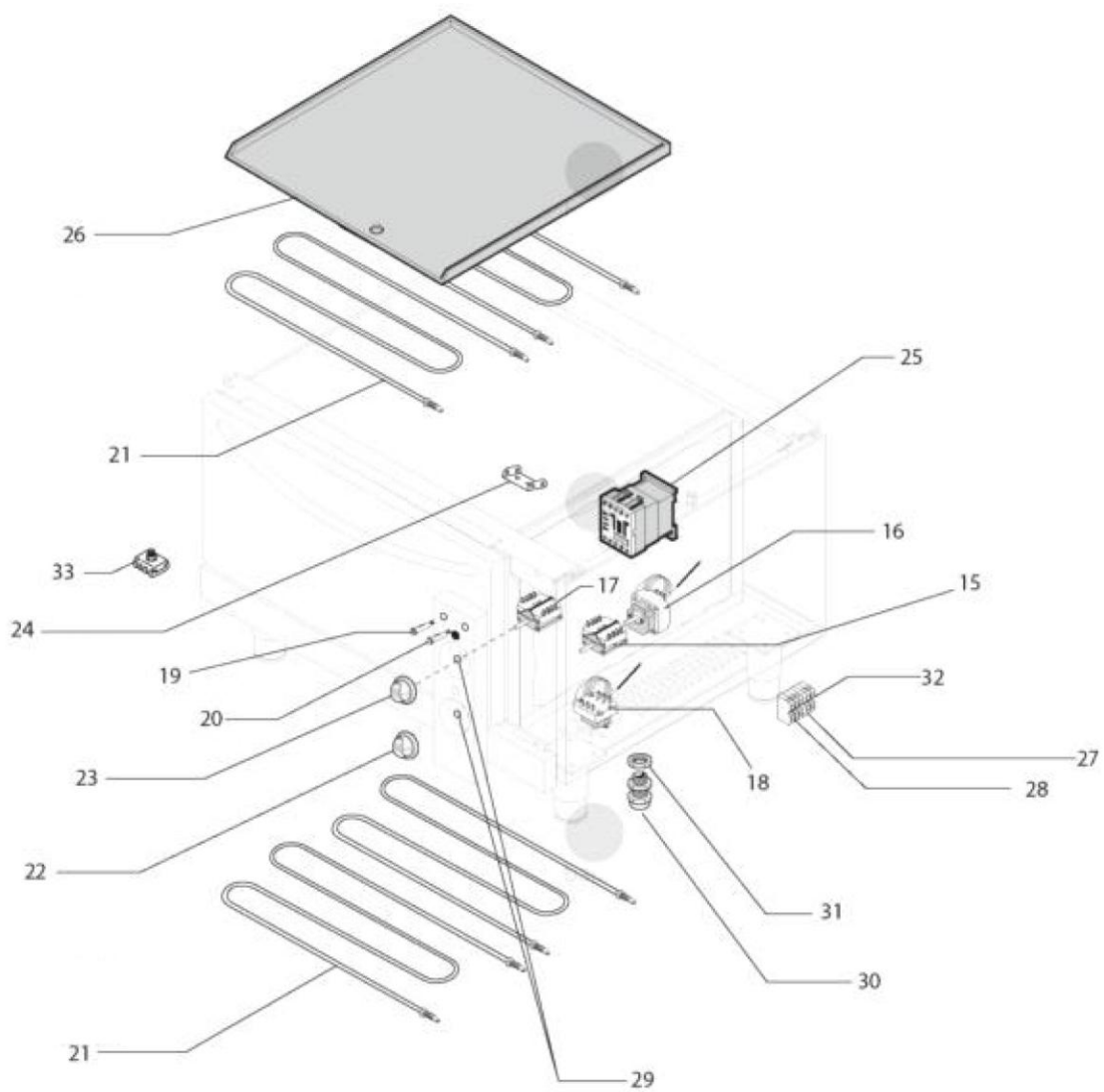
Table_B

LRE127FECS

Pos	Code	Description	Price (€)
0001	MA6086113	FOOT ASSEMBLY [C] H. 200	
0002	BN41821300150	SUPPORT [C] GRID OVEN 700	
0003	CR0583400	SCHIENALE BASE VANO M80	
0004	BN41826330030	SHELF GRID [C] OVEN 700	
0005	BN826900050	DOOR [C] OVEN 70-90	
0006	BN821390011	OVEN DOOR	
0007	BN826430030	OVEN DOOR HANDLE	
0008	BN6A035920	LHS OVEN DOOR HINGE STF4596Y	
0009	BN6A035910	RHS OVEN DOOR HINGE STF4596X	
0010	MA1304500	BRACKET ROLLER DOOR	
0011	BN2557720	ASS. CRUSC. VERTIC. FORNO CE 90/04	
0012	BN821740030	BULB SUPPORT 74 FTEC - 94 KBE	
0013	BN41821310140	FIANCO SX CELLA FORNO 700	
0014	BN41821310510	FIANCO DX CAMERA FORNO EL 70	

Apach
CHEF *line*

700
ELECTRIC OVENS / FORNO ELETTRICO



Table_B

LRE127FECS

Pos	Code	Description	Price (€)
0015	BN6A046001	CHANGE OVER SW. FOR THERM. 3PH	
0016	BN826630123	CONTROLLER 50-300 3F 5534062800	
0017	MA1309000	EGO SWITCHER 4934615701	
0018	BN826630130	SECUR.THERMOSTAT 360 3F	
0019	CR0903610	GREEN PILOT LAMP [C]	
0020	CR0587500	ORANGE LIGHT WITH GASKET 3122000478	
0021	BN826620041	HEATING ELEM. 1500W 240V 90F	
0022	CR0902800R	MANOPOLA ELET.50-300 D55 CH6 CROM. BARON CROMATA	
0023	CR0902810R	KNOB [C] D. 55	
0024	BN2530158	SUPP. BULBO ELETTR. SR 70/02-90	
0025	BN6A047031	MINICONTRACT.20A MC1 A301AT6 G.EL	
0026	BN41821410191	BOTTOM [C]	
0027	BN6A035020	MORSETTO PASS.10 BLU CBD10 (EX)I10	
0028	BN6A035010	TERMINAL [C]	
0029	BN825110510	GASKET [C]	
0030	CR1020960	FAIRLEAD [C]	
0031	CR1020970	CONTRODADO OBO 116/PG21 NY	
0032	BN6A035030	MORSETTO TERRA TE10/O CABURTO500	
0033	MA1878400	TERMINAL BLOCK [C]	