

MKK-300-01.000H PC v.1.0

code 1C 710000109884

KITCHEN POTATO-PEELING MACHINE MKK-300-01
with support and peel holding tank
(model with upper control panel)

Abrasive wheel
MKK-300-01.001H PC

Abrasive paper
code 1C 100000050272

Drum
code 1C 100000050270

Arch
code 1C 100000050254

Cover axis
code 1C 720000012037

Unloading hatch
MKK-300-01.002H PC

Ready-assembles cylinder
code 1C 100000050256

Ready-assembled case
MKK-300-01.003H PC

Edge
code 1C 100000049727

Lock
code 1C 100000050315

Stopper axis
code 1C 720000027150

Ready-assembles cover
MKK-300-01.004H PC

Ready-assembled protective shield
MKK-300-01.005H PC

Corrugated PVH pipe
code 1C 100000049712

Connectiq pipe
code 1C 720000027145

Plug
code 1C 120000000556

Rubber bushing
code 1C 120000002230

Angle piece 1/2"
code 1C 120000000555

Brass ball valve 1/2"
code 1C 120000132715

Spring-board
code 1C 120000025973

Belt 14PJ4.83
code 1C 120000020556

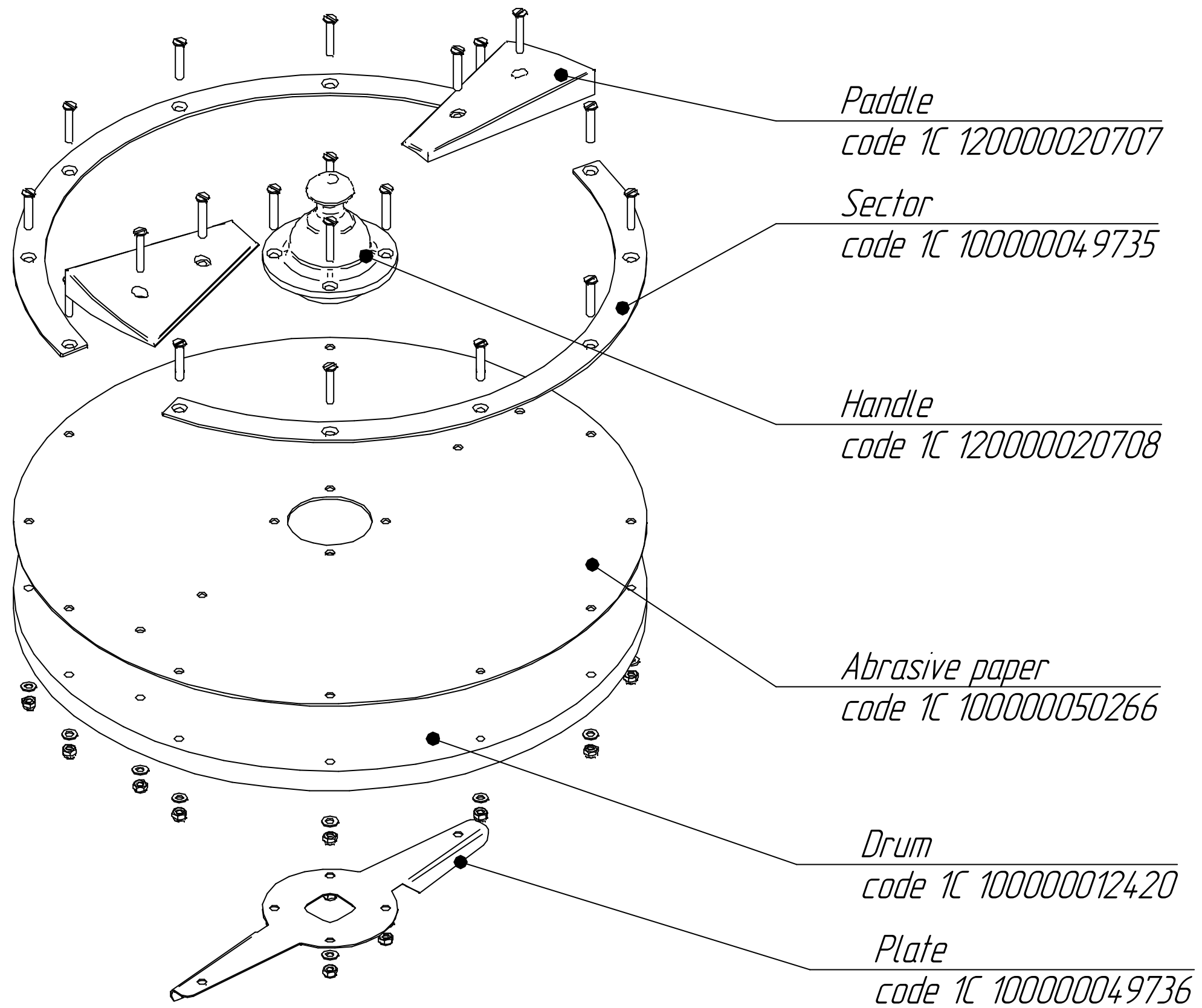
Ready-assembled engine
MKK-300-01.006H PC

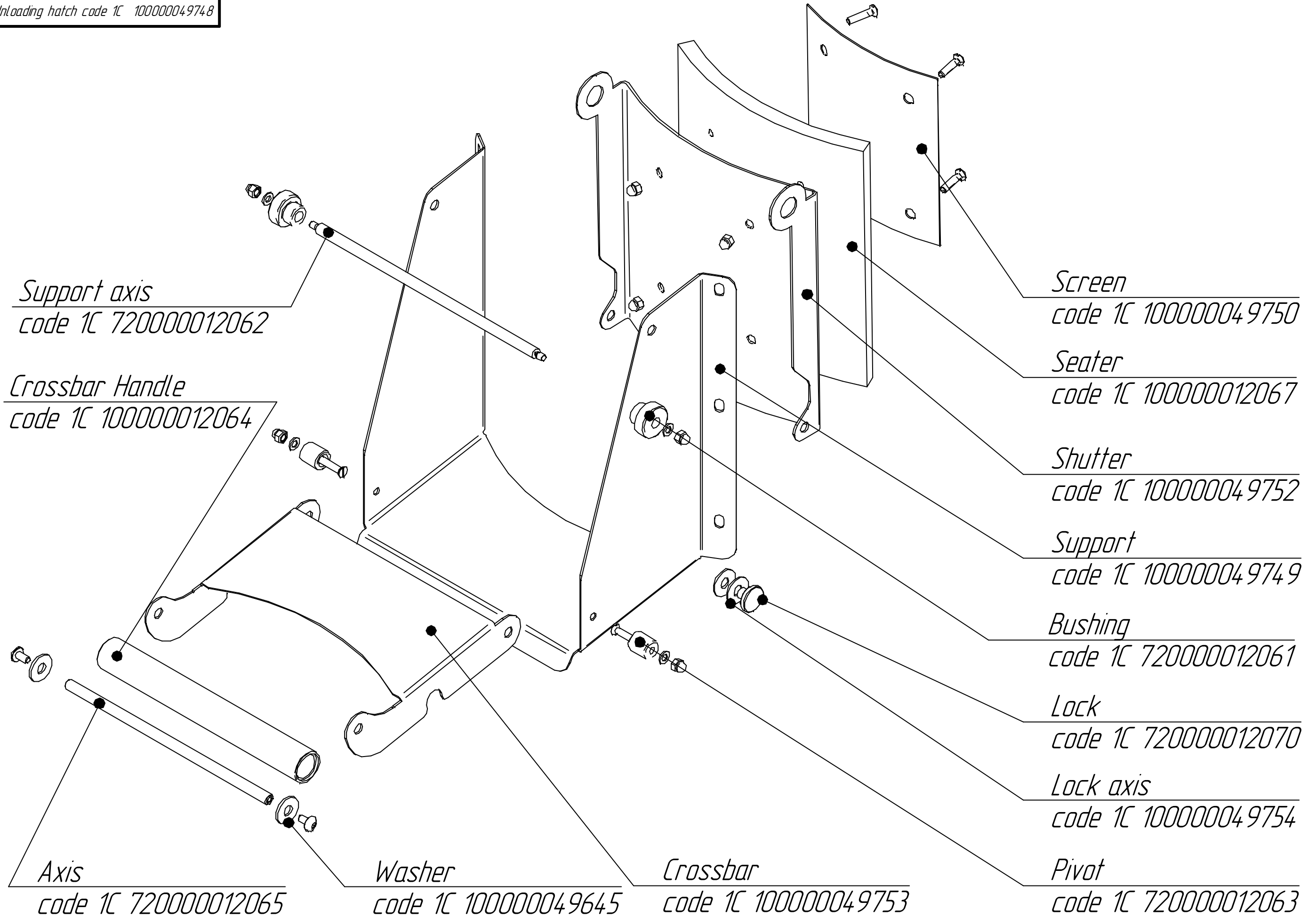
Protection
code 1C 100000050248

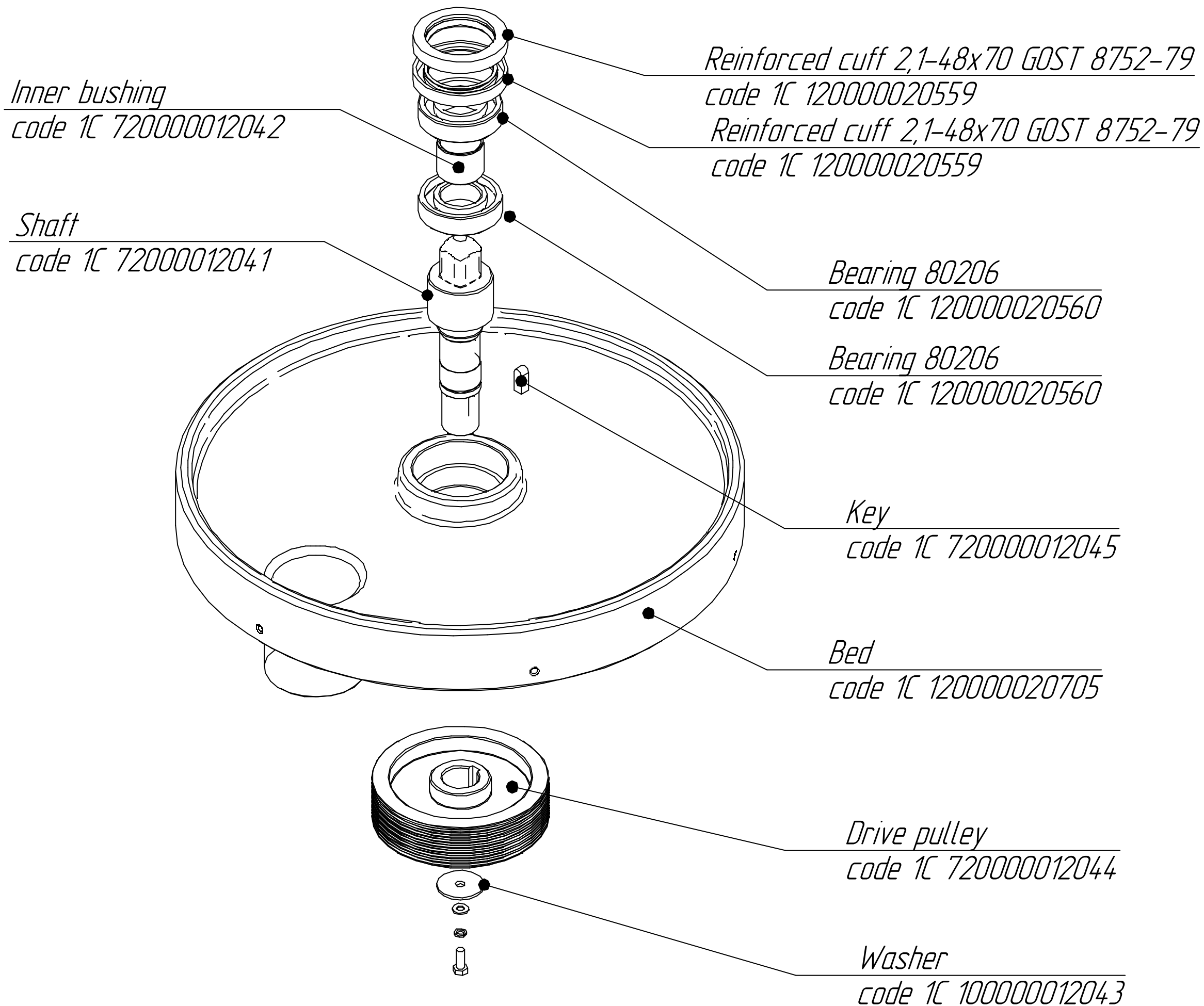
Support
code 1C 100000050288

Recycle bin
код 1C 100000050299

Case
code 1C 100000050310







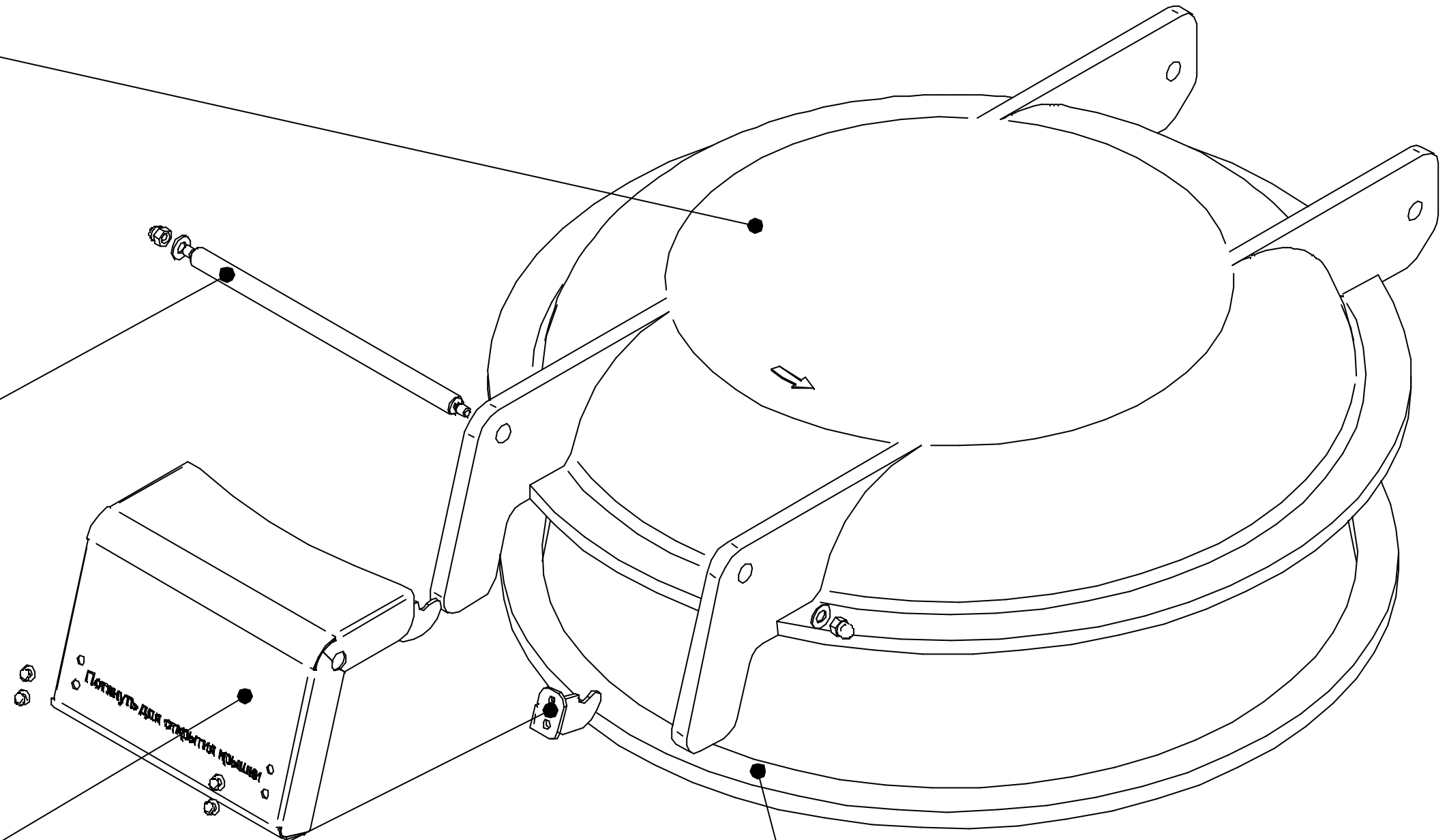
Cover
code 1C 720000027193

Cover axis
code 1C 720000027151

Lever
code 1C 100000050276

Hitches
code 1C 100000012268
code 1C 100000012269

Cover sealer EPDM 21 x 15
code 1C 100000012267



Bracket
code 1C 100000050284

Microswitch
code 1C 120000044628

Insulator
code 1C 100000049683

Lock
code 1C 100000050282

Green button SHNXB5AA31
code 1C 120000060158

Rail
code 1C 100000012058

Washer
code 1C 100000050286

Contactor NC1-1810 18A
код 1C 120000061046

Relay PTT 5-10-1
code 1C 120000060111

White indicator lamp
code 1C 120000006277

Yellow indicator lamp
code 1C 120000006276

Thermoregulator hangle
code 1C 120000020122

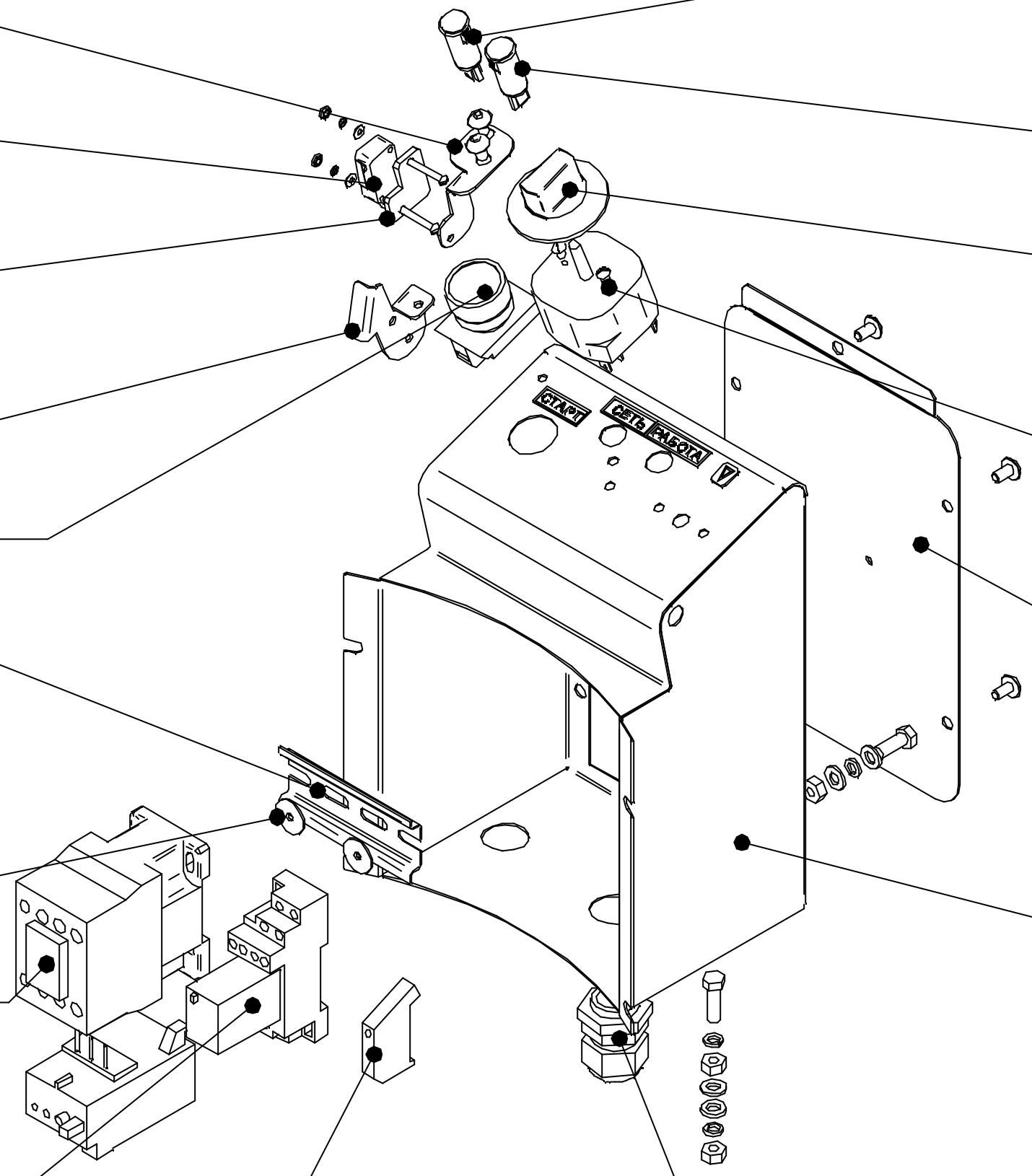
Time relay 2PB-6
code 1C 120000060953

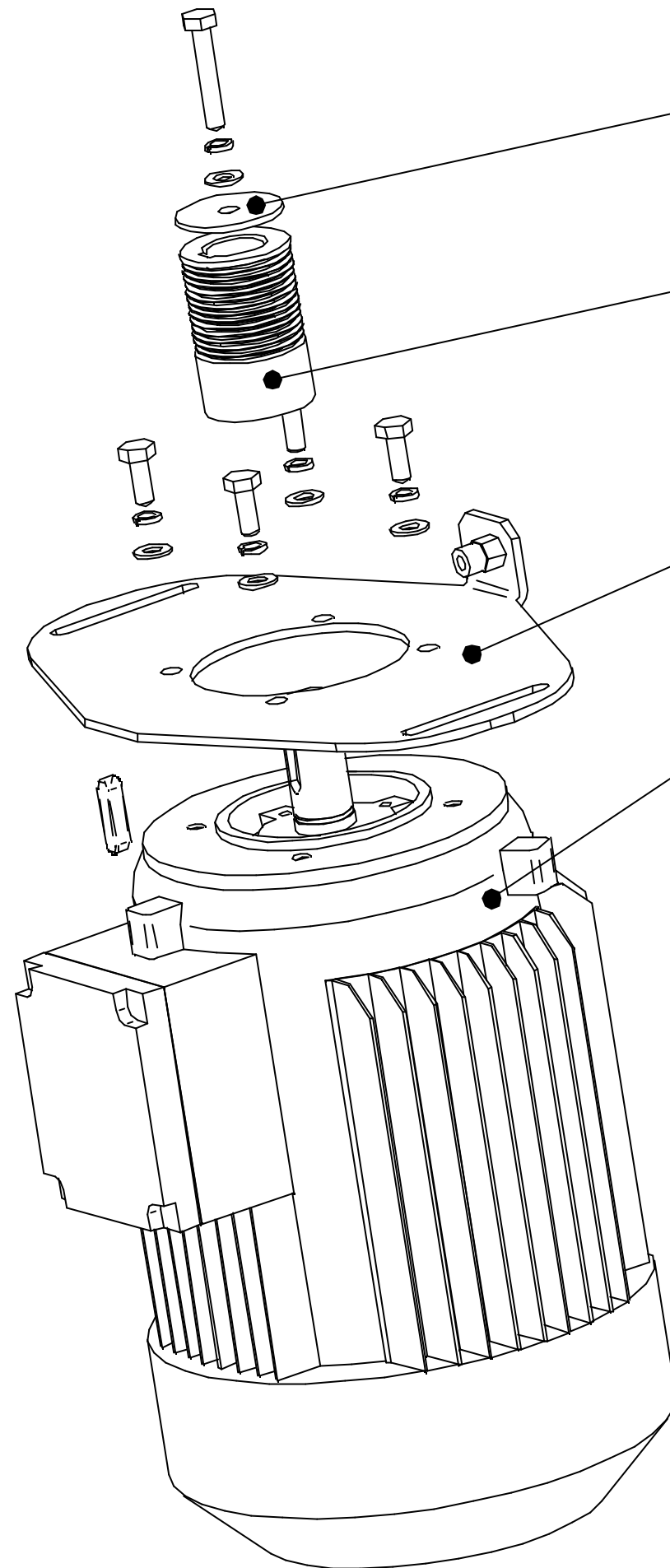
Backing
code 1C 100000049861

Protective shield
code 1C 100000050280

Terminal KD 3
code 1C 120000060668

Cable entry KGV16
code 1C 120000060633





Washer
code 1C 100000012043

Drive pulley
code 1C 720000012046

Sheet
code 1C 10000004.9738

Engine
code 1C 120000060952