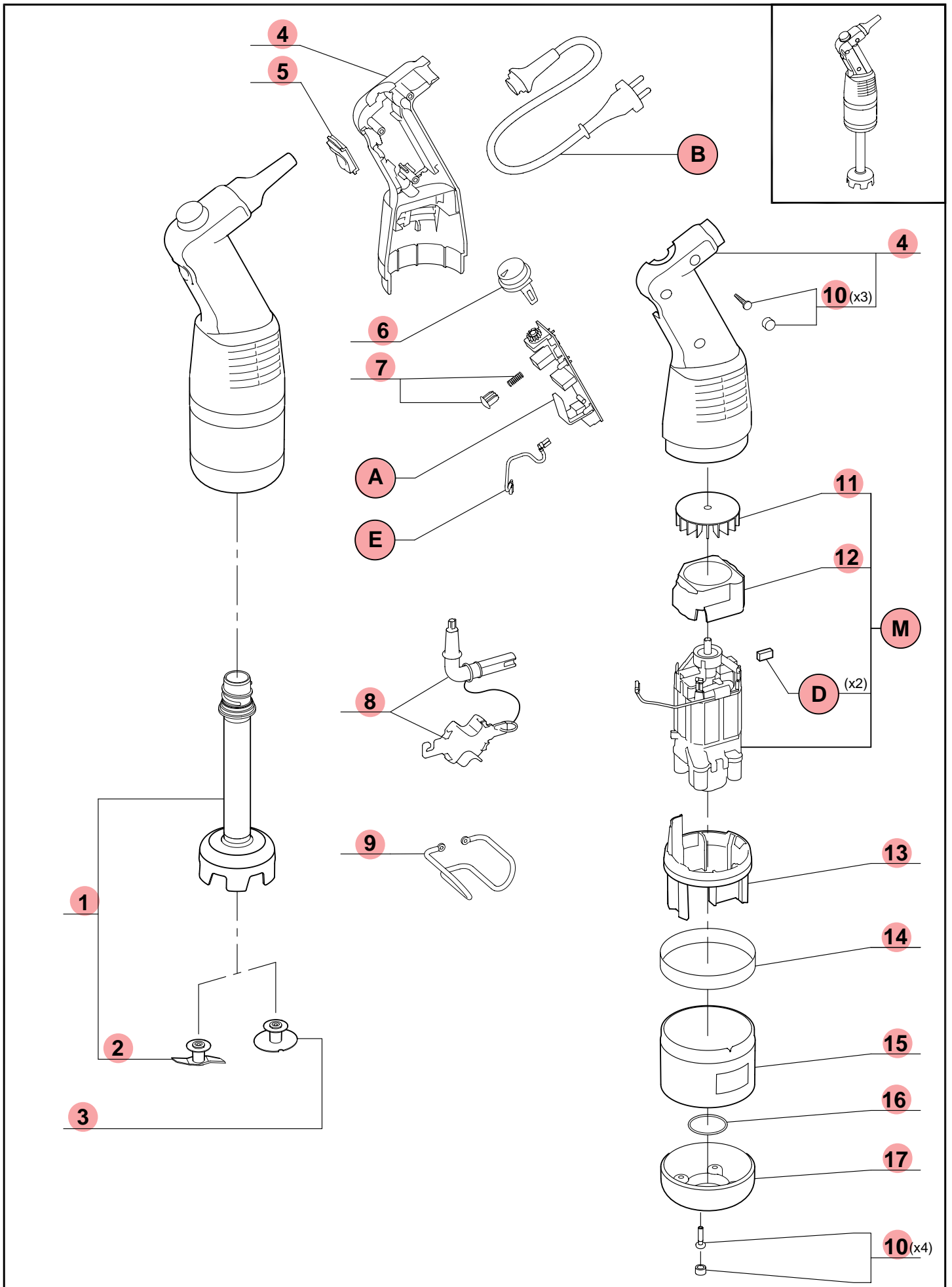


robotcoupe®

Mini MP 160 V.V.

N° de série / Serial number  
- 508 - - - - -



INDEX	PART NUMBER	DESCRIPTION
1	89101	FOOT MMP160
2	89102	COUTEAU MMP 160
3	89103	MMP 160 EMULSION DISC
4	89551	MMP HANDLES L+R KIT
5	89056	MMP CAP KNOB
6	89059	MMP VARIATOR SWITCH
7	89550	KNOB- SPRING KIT
8	89058	MMP DISMOUNT TOOL
9	89614	MMP WALL SUPPORT
10	89568	MMP SCREW KIT
11	89067	MMP VENTILATOR
12	89066	MMP VENTILATOR PIPE
13	89065	MOTOR RING MMP
14	89100	MMP160VV FERRULE
15	89070	MMP MOTOR FERRULE
16	89158	MMP MOTOR O RING
17	89159	DRIVING CAGE CMP COMBI
A	89168	MMP 230V CIRC BOARD
B	89163	MMP 230V POWER CORD
D	89173	MMP BRUSHES
E	89171	MMP ELECT WIRING
M	89175	MMP170 230V MOTOR