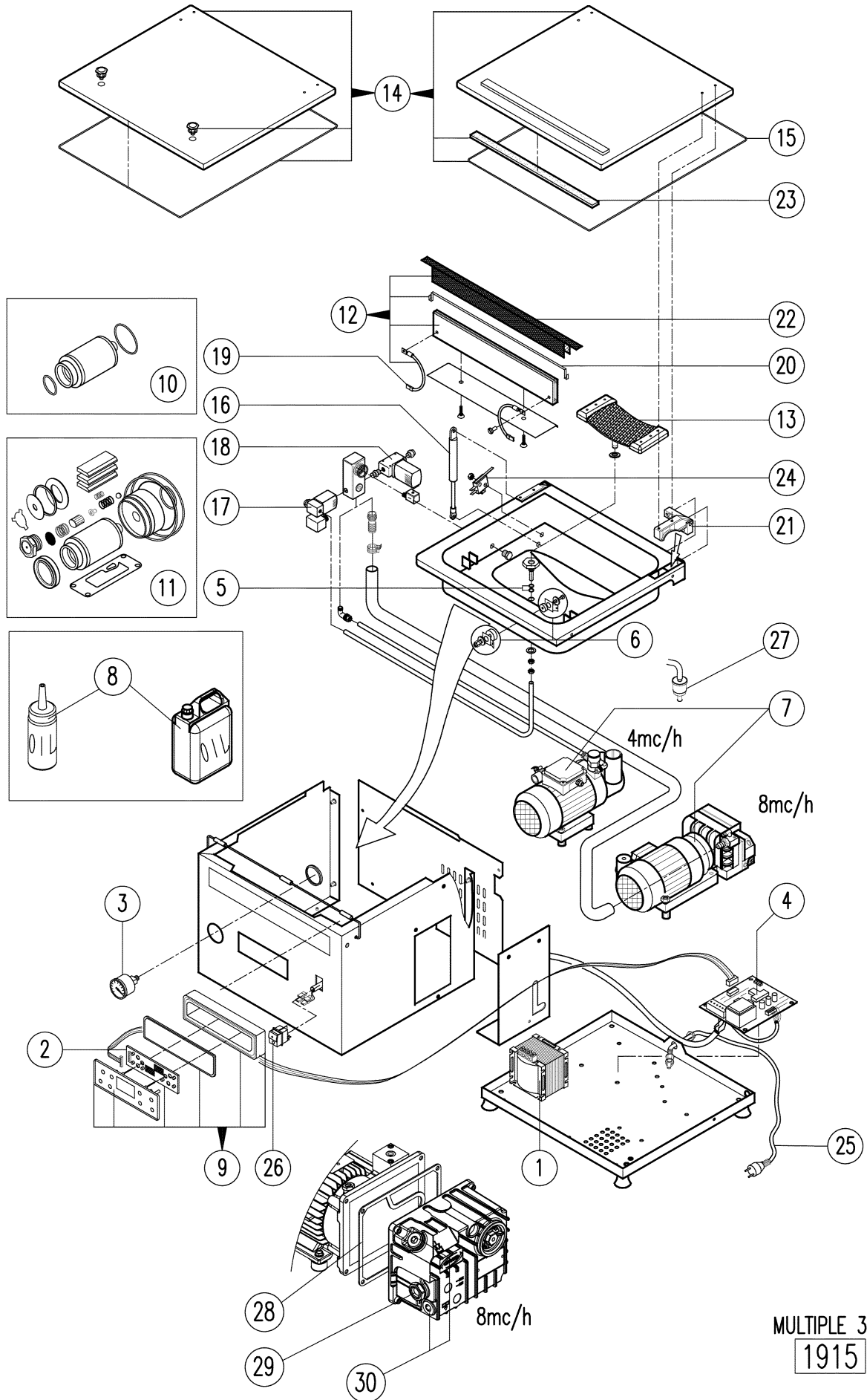


# MULTIPLE315 - 1031507234

N.	Item Code	M.U.	Description
01	1603279	PZ.	TRANSFORMER 200VA 220/10-12V
02	1604093	PZ.	COMMAND BOARD B081_2
03	1603378	PZ.	VACUUM GAUGE D=50MM
04	1601834	PZ.	POWER BOARD H102_2 - 230V MC
05	1604043	PZ.	O-R FOR COUPLING NOZZLE (10 PCS)
06	1601095	PZ.	CHAMBER CONTACT KIT MC
07	1600549	PZ.	VACUUM PUMP LC 4 230V 50/60HZ M315
08	1600500	PZ.	PUMP OIL ORV40 1L
08	1601037	PZ.	PUMP OIL ORV40 10L
08	1601422	PZ.	PUMP OIL ORV40 250ML
09	1604055	PZ.	COMPLETE CONTROL PANEL B081.2
10	1601009	PZ.	REPAIR KIT MINOR FOR PUMP LB4-LC4-LA6(K9601057) (EXHAUST FILTER)
10	1602531	PZ.	VACUUM PUMP EXHAUST FILTER MULTIPLE315 BUSCH PB0004
11	1600847	PZ.	MAJOR KIT FOR VACUUM PUMP LB4 (K9601057/1)
12	1604046	PZ.	SEALING BAR 322X45X15 M315/FC300
13	1604057	PZ.	UNDER-BAR SEALBAG WITH FITTING L=225MM
14	1601793	PZ.	LID MULTIPLE 315
15	1604421	PZ.	COVER SEAL D=6MM (2 MT)
16	1604073	PZ.	GAS PRESSURE SPRING (1 PC) 198.220.18
17	1603364	PZ.	SEALBAG SOLENOID VALVE 3 WAYS 1/8"FF D=2 24V-DC
18	1603362	PZ.	DEVACUMATE SOLENOID VALVE 1/4"FF D=4 MULT.315-N-H-EN/VM12
19	1604050	PZ.	SEALING BAR CONNECTION WIRE (2 PCS)
20	1603265	PZ.	ROUNDED SEALING WIRE 5x0.3 (1 MT)
21	1603681	PZ.	HINGES (L+R)
22	1604427	PZ.	HAVANA TEFLON BAND L=65MM (1 MT) IDEA-IDEA OEM/
MC/NEW/V.2010/400G-DG/VM98/F420/C-SERIES/FC30-36-41 CHEF VAC			
23	1604085	PZ.	SILICONE RUBBER 22X8X320 (1 PC/PCS)
24	1603449	PZ.	SWITCH CONTACT MC
25	1603292	PZ.	POWER CABLE 3X1X3000 SHUKO EUR
26	1604071	PZ.	MAIN SWITCH 20A
27	1601815	PZ.	VACUUM PUMP EXHAUST FILTER CP30/EVP30

# MULTIPLE315 - 1031507234



MULTIPLE 315  
1915