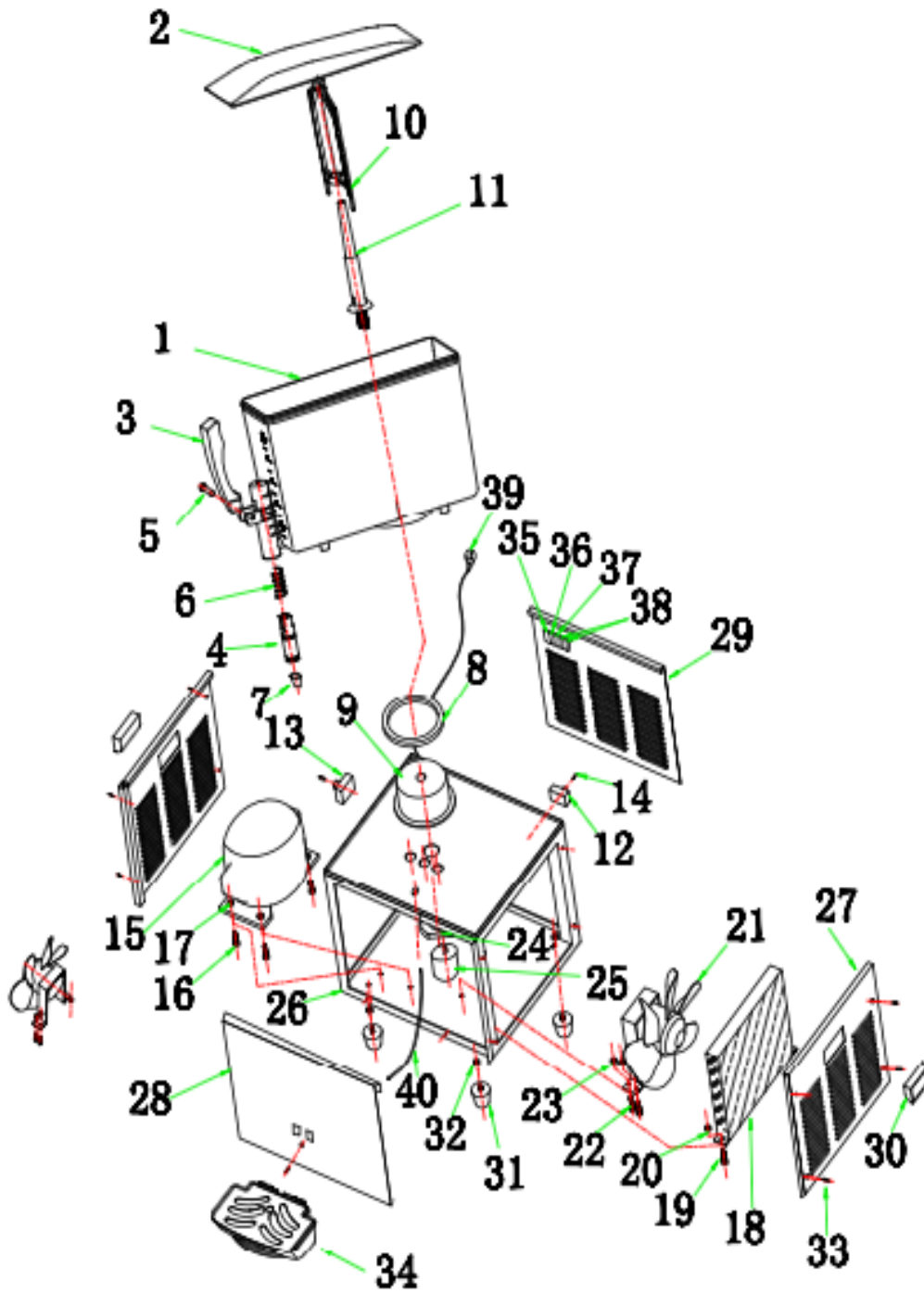


MODEL

Model

Dimensions (mm)
Capacity (Litres)
Bowls
Watts (cold/hot)
Temp:
Net Weight (Kgs)
Gross Weight (Kgs)
Packing Size(mm)
Q' ty/20'GP
Q' ty/40'GP
Q' ty/40'HQ

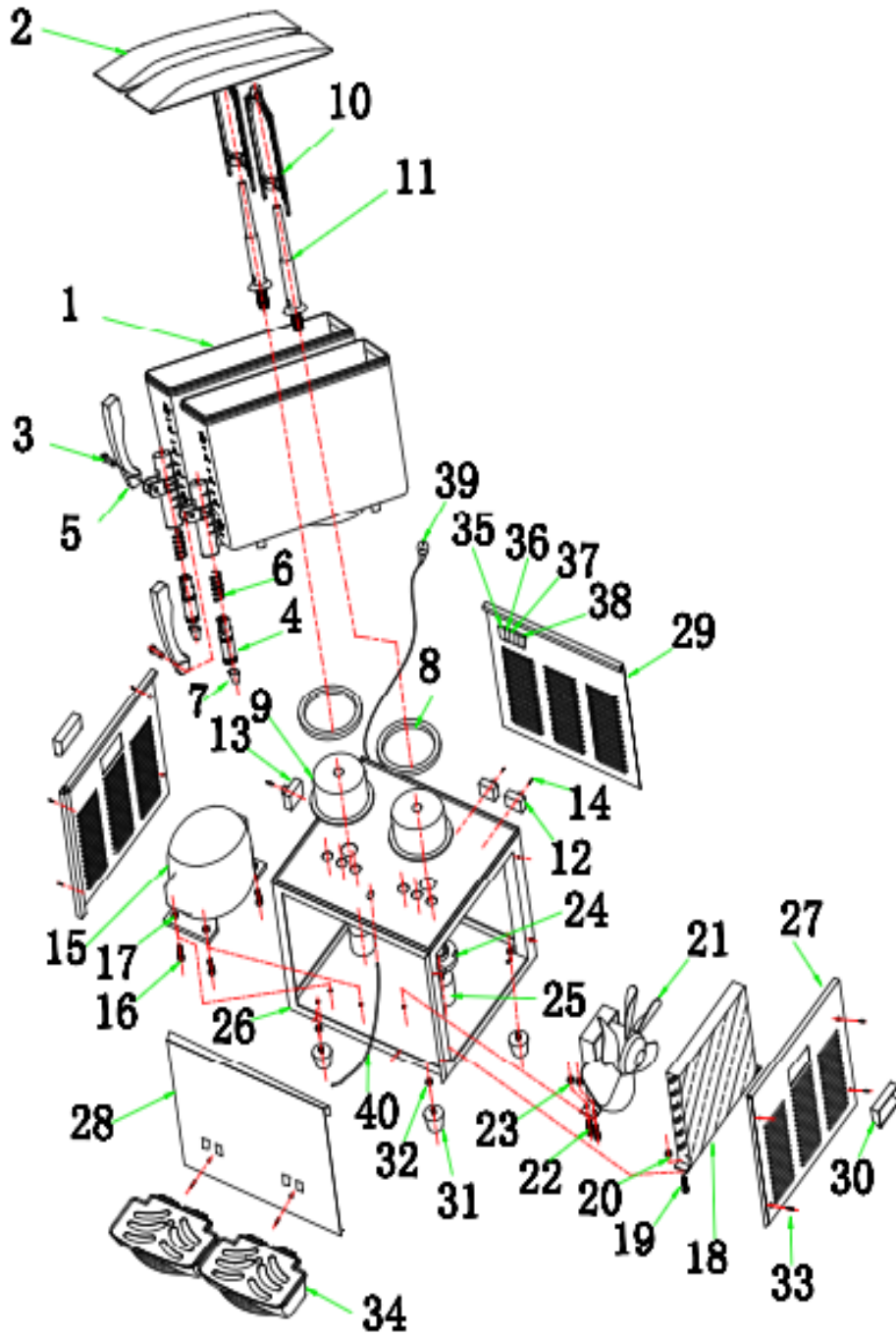
LYJ10LX1



LYJ10LX1

10L
1
200/500W
7~12°C/52~58°C

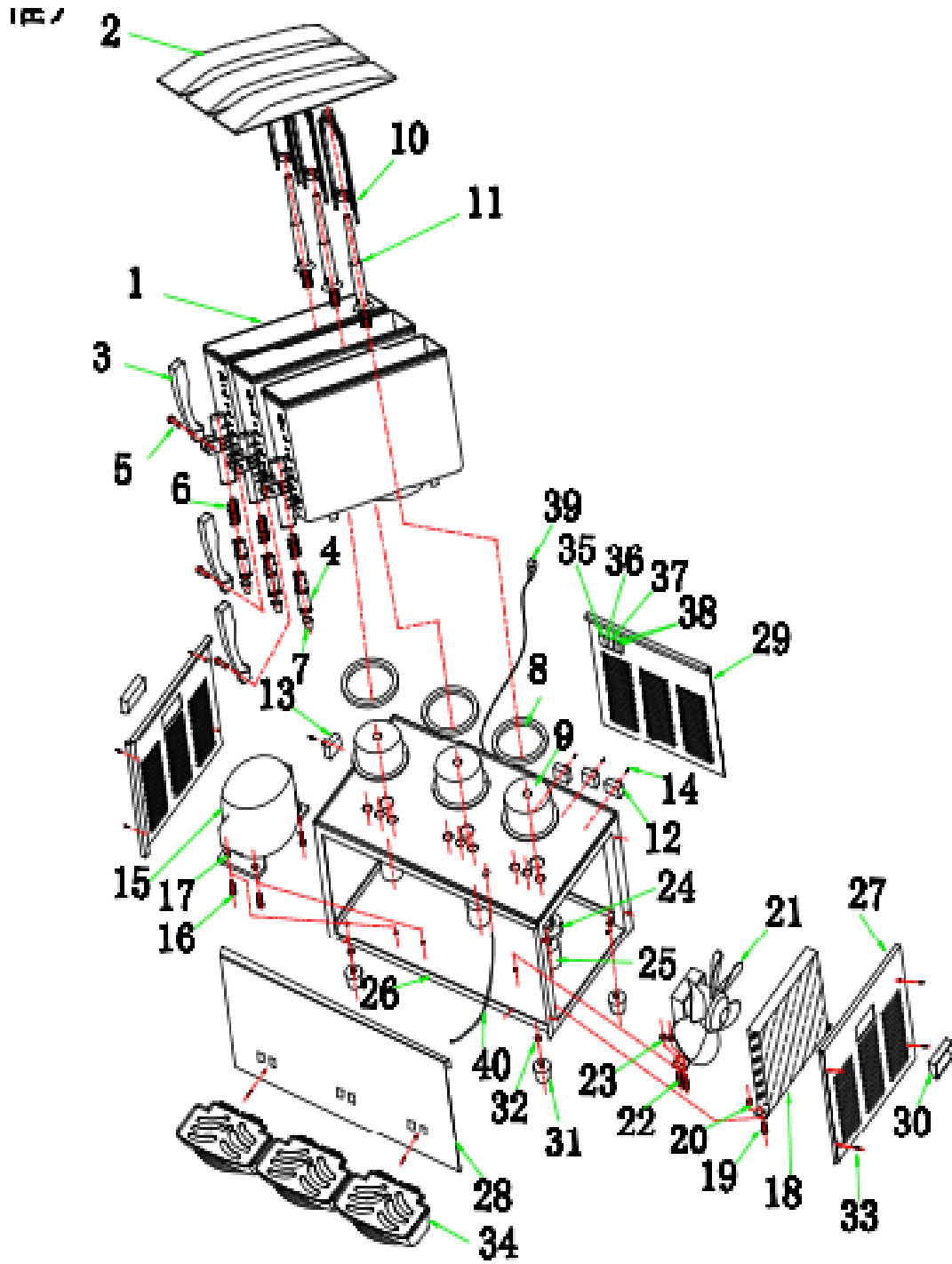
LYJ10LX2



LYJ10LX2

310*450*660
20L
2
200/500W
7~12℃/52~58℃
20KGS
23KGS
380*470*720
230
480
480

LYJ10LX3



LYJ10LX3

425*450*660
30L
3
300/1000W
7~12℃/52~58℃
29KGS
31KGS
480*470*720
144
300
300

LYJ10LX4

565*450*660
40L
4
350/1500W
7~12℃/52~58℃
32KGS
35KGS
630*470*720
126
264
264

Номер детали	10L*1	10L*2	10L*3
1	J10000001	J10000001-2	J10000001-3
2	J10000002	J10000002-2	J10000002-3
3	J10000003	J10000003-2	J10000003-3
4	J10000004	J10000004-2	J10000004-3
5	J10000005	J10000005-2	J10000005-3
6	J10000006	J10000006-2	J10000006-3
7	J10000007	J10000007-2	J10000007-3
8	J10000008	J10000008-2	J10000008-3
9	J10000009	J10000009-2	J10000009-3
10	J10000010	J10000010-2	J10000010-3
11	J10000011	J10000011-2	J10000011-3
12	J10000012	J10000012-2	J10000012-3
13	J10000013	J10000013	J10000013
14	J10000014	J10000014-2	J10000014-3
15	J10000015	J10000015-2	J10000015-3
16	J10000016	J10000016	J10000016
17	J10000017	J10000017	J10000017
18	J10000018	J10000018-2	J10000018-3
19	J10000019	J10000019	J10000019
20	J10000020	J10000020	J10000020
21	J10000021	J10000021	J10000021
22	J10000022	J10000022	J10000022
23	J10000023	J10000023	J10000023
24	J10000024	J10000024-2	J10000024-3
25	J10000025	J10000025-2	J10000025-3
26	J10000026	J10000026	J10000026
27	J10000027	J10000027	J10000027
28	J10000028	J10000028	J10000028
29	J10000029	J10000029	J10000029
30	J10000030	J10000030	J10000030
31	J10000031	J10000031	J10000031
32	J10000032	J10000032	J10000032
33	J10000033	J10000033	J10000033
34	J10000034	J10000034	J10000034
35	J10000035	J10000035	J10000035
36	J10000036	J10000036-2	J10000036-3
37	J10000037	J10000037	J10000037
38	J10000038	J10000038	J10000038
39	J10000039	J10000039	J10000039

10L*1 10L*2 10L*3 10L*4

10L*4	spare parts list	USING QTY/ количество деталей			
		10L*1	10L*2	10L*3	10L*4
J10000001-4	Tank	1	2	3	4
J10000002-4	Roof	1	2	3	4
J10000003-4	handle	1	2	3	4
J10000004-4	Plunger	1	2	3	4
J10000005-4	Pin of handle	1	2	3	4
J10000006-4	Spring	1	2	3	4
J10000007-4	Nipple	1	2	3	4
J10000008-4	Seal ring of tank	1	2	3	4
J10000009-4	Evaporator	1	2	3	4
J10000010-4	Mix leaf	1	2	3	4
J10000011-4	Mix pole	1	2	3	4
J10000012-4	Hot temperature control	1	2	3	4
J10000013	Cold temperature control	1	1	1	1
J10000014-4	Temperature control screw	1	2	3	4
J10000015-4	Compressor	1	1	1	1
J10000016	Outer hex screw	4	4	4	4
J10000017	Outer hex nut	4	4	4	4
J10000018-4	Condenser	1	1	1	1
J10000019	Outer hex screw	2	2	2	2
J10000020	Outer hex nut	2	2	2	2
J10000021	Fan motor	1	1	1	1
J10000022	Support fixed screw rod	4	4	4	4
J10000023	Support fixed nut	4	4	4	4
J10000024-4	Mixing motor base	1	2	3	4
J10000025-4	Mix motor	1	2	3	4
J10000026	Main body frame	1	1	1	1
J10000027	Left/right panel	2	2	2	2
J10000028	Front panel	1	1	1	1
J10000029	Back panel	1	1	1	1
J10000030	Left/right handle	2	2	2	2
J10000031	Machine foot	4	4	4	4
J10000032	Support fixed nut	4	4	4	4
J10000033	Mounting screw for coamir	4	4	4	4
J10000034	Watertray	1	1	2	3
J10000035	Startup switch	1	1	1	1
J10000036-4	Heating switch	1	2	3	4
J10000037	Cooling switch	1	1	1	1
J10000038	Power line	1	1	1	1
J10000039	Capillary drain	1	1	1	1