

# Lirika OTC

230V - 50Hz  
220V - 60Hz  
120V - 60Hz  
120V - 50Hz

IT	Italiano
EN	English
FR	Français
DE	Deutsch
ES	Español



IT

## SOMMARIO

**Tav. 01** Carrozeria  
**Tav. 02** Pulsantiera  
**Tav. 03** Impianto idraulico  
**Tav. 04** Gruppo macinino  
**Tav. 05** Gruppo motoriduttore  
**Tav. 06** Gruppo caffè

EN

## INDEX

Bodywork  
Keypad  
Hydraulic system  
Grinder group  
Gear motor group  
Coffee group

FR

## INDEX

Carrosserie  
Clavier  
Installation hydraulique  
Groupe moulin à café  
Groupe motoréducteur  
Groupe café

DE

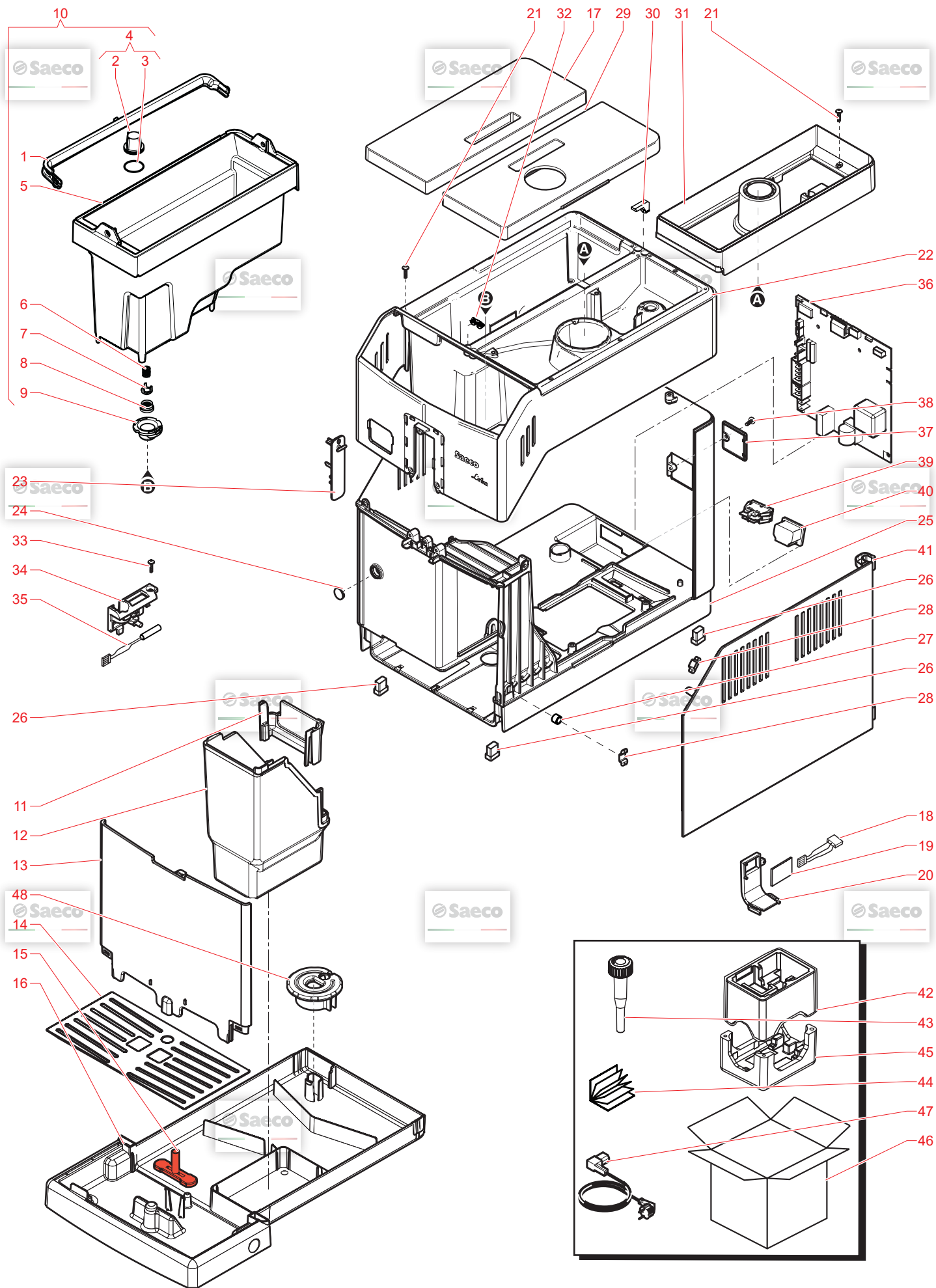
## VERZEICHNIS

Aufbau  
Druckastenleiste  
Hydraulisches System  
Mühleinheit  
Getriebemotorgruppe  
Kaffeegruppe

ES





## INDICE





Carrocería  
Panel de mando  
Instalación hidráulica  
Grupo molinillo  
Grupo motorreductor  
Grupo café







N.POSI	COD	I - DESCRIZIONE	UK - DESCRIPTION	F - DESCRIPTION	D - BEZEICHNUNG	E - DESCRIPCION	NOTE
1	11023155	MANIGLIA CONT.ACO.MDS NER.	BLACK WATER CONTAINER HANDLE MDS	POIGNÉE DE RÉSERVOIR D'EAU NOIRE	GRIF ZU WASSERTANK	BLACK WATER CONTAINER HANDLE MDS	
2	144650800	FILTRO EST.CONT.ACO.BIA.	WHITE WATER CONTAINER EXT.FILTER	FILTRE POUR RESERVOIR A EAU	Wasserfilter	FILTRO EST.CONT.ACO.BIA.	
3	140328461	OR ORM 0190-10 EPDM	OR ORM 0190-10 EPDM	JOINT OR 0190-10 EPDM	O RING 0190-10 EPDM	OR ORM 0190-10 EPDM	
4	224640200	AS.FILTRO EST.CONT.ACO.BIA.	WHITE WATER CONTAINER EXT.FILTER	ENS. FILTRE EXT.POUR BACS A EAU	SCHMUTZSIEB ( MIT POS.25 )	AS.FILTRO EST.CONT.ACO.BIA.	
5	421944059661	CONT.ACO.V2 SMRO GR/ITRASP.	TRANSP/GRY WATER CONTAINER V2 SM				
6	11003672	MOLLA CILINDR.VALV.CONT.ACO.P004	SS SPRING FOR WATER CONTAIN.VALV	RESSORT DE BAC A EAU	FEDER VENTIL WASSERTANK	MOLLA CILINDR.VALV.CONT.ACO.P004	
7	421944017852	INS.VALV/CONT.ACO.P0049 GRI.	GRY WATER CONTAINER VALVE INSERT	INSERT POUR VALVE BAC EAU	GRY WATER CONTAINER VALVE INSERT	GRY WATER CONTAINER VALVE INSERT	
8	11003671	VALV/CONT.ACO.TRASP.	TRANSP VALVE FOR WATER CONTAINER	VALVE DE BAC EAU	DICHTUNG WASSERTANK ABGANG	VALV.CONT.ACO.TRASP.	
9	421944060271	AS.CONT.ACO.V2 SMRO GR/ITRASP.	BLACK LID FOR DUCKBILL VALVE SMR	COUVERCLE NOIR POUR VALVE	VERSCHLUß WASSERTANK UNTEN	BLACK LID FOR DUCKBILL VALVE SMR	
10	421944060271	INS.CAS.FONDI V2 NPR NER.COST.	TRANSP/GRY WATER CONTAINER V2 SM	BAC A EAU COMPLET V2	TRANSP/GRY WATER CONTAINER V2 SM	TRANSP/GRY WATER CONTAINER V2 SM	
11	421944063131	CAS.FONDI V2 SMR NER.	BLK DUMP BOX INSERT V2 NPR	BLK DUMP BOX INSERT V2 NPR	BLK DUMP BOX INSERT V2 NPR	BLK DUMP BOX INSERT V2 NPR	
12	421944060591	INS.VASCA REC.ACO.V2 SMRO/PT ANM	BLK DUMP BOX V2 SMR	BAC A MARC V2	BLK DUMP BOX V2 SMR	BLK DUMP BOX V2 SMR	
13	421944052911	INS.VASCA REC.ACO.V2 SMRO/PT ANM	G/ANM DRIP TRAY INSERT V2 SMRO/PT	BAC RECUP EAU V2 SMRO/PT	G/ANM DRIP TRAY INSERT V2 SMRO/PT	INS.VASCA REC.ACO.V2 SMRO/PT ANM	
14	421944031791	GRIGLIA VASCA REC.ACO.SMR/B-H-P	BA/SS GRATE FOR DRIP TRAY SMR/B-	BA/SS GRATE FOR DRIP TRAY SMR/B-	BA/SS GRATE FOR DRIP TRAY SMR/B-	BA/SS GRATE FOR DRIP TRAY SMR/B-	
15	421944034471	GRIGLIA VASCA REC.ACO.SMR/INOX	GRILLE RECUOPERATION EAU SMR/T	GRILLE RECUOPERATION EAU SMR/T	GRILLE RECUOPERATION EAU SMR/T	GRILLE RECUOPERATION EAU SMR/T	
16	421941304791	GALLEG.VASCA REC.ACO.XSM ROS/300	RED/3003 FLOAT FOR DRIP TRAY XSM	FLOTTEUR ROUGE	RESTWASSERANZEIGE	RED/3003 FLOAT FOR DRIP TRAY XSM	
17	421944063571	VASCA REC.ACO.SMR/PT ANM/L	G/ANM DRIP TRAY SMRO/PT	VASQUE RECUOPERATION EAU	VASCA REC.ACO.SMR/PT ANM/L	VASCA REC.ACO.SMR/PT ANM/L	
18	421944042421	COP.CONT.ACO.SMR/TE ANM/L	3P CONN WATER LEVEL V2 SMR ULAS	COUVERCLE BAC A EAU	G/ANM WATER CONTAINER LID SMRG/IT	G/ANM WATER CONTAINER LID SMRG/IT	
19	421946035161	AS.CONN.3PLI.VELLO.ACO.V2 SMR UL	3P CONN WATER LEVEL V2 SMR ULAS	3P CONN WATER LEVEL V2 SMR ULAS	3P CONN WATER LEVEL V2 SMR ULAS	3P CONN WATER LEVEL V2 SMR ULAS	
20	11003232	CPU/CON PROG.R X. SENS.LIV.ACO)	CPU/CON PROG.R X. SENS.LIV.ACO)	PLATINE SENSEUR NIVEAU D EAU	KAPAZITIVER SENSOR	CPU/CON PROG.R X. SENS.LIV.ACO)	
21	12001728	SUPP.SENS.CAPACITIVO LIVEL.ACQ.S	BLACK WATER LEVEL SENSOR SUPPORT	SUPPORT LE DE CAPTEUR NIVEAU D EAU	HALTBÜGEL KAPAZITIVER SENSOR	BLACK WATER LEVEL SENSOR SUPPORT	
22	421944052961	VITE TCBR 3.5X12 PLAST.INOX	SCREW TCBR TORX 10 3.5X12 PLAST.	VIS TCBR 3.5X12 PLAST.INOX	TORXSCHRAUBE 3.5X12	VITE TCBR 3.5X12 PLAST.INOX	
23	421946037431	COP.SUP.CARC.V3 SMRO/PT ANM/L SE	G/ANM UP CASING COVER V3 S/SCR.S	G/ANT UPP CAS COVER HOL.S/SCR.SM	COP.SUP.CARC.V3 SMRO/PT ANM/L SE	COP.SUP.CARC.V3 SMRO/PT ANM/L SE	
24	421944051401	SUPP.TUBO ASPIRAZ.LATTE.SMR/OPC	BLK MILK INTAKE TUBE SUPPORT SMR	BLK MILK INTAKE TUBE SUPPORT SMR	BLK MILK INTAKE TUBE SUPPORT SMR	BLK MILK INTAKE TUBE SUPPORT SMR	
25	11031523	PIAS.INFRAROSSI RYL NER.	BLACK INFRAREDS PLATE RYL	PLAQUETTE INFRAROUGE	ABDECKUNG MESSPUNKT	BLACK INFRAREDS PLATE RYL	
26	421944063611	AS.CARC.V3 SMR NER/OP.	M/BLK CASING V3 SMR ASSY				
27	17001556	PIEDINO SMR SILIC.TRASP.	TRANSP.SILICONE FOOT SMR	PIED SILICONE	GERÄTEFUß	TRANSP.SILICONE FOOT SMR	
28	11013220	MAGNETE X GALLEGGIANTE SUPERAUT.	MAGNET FOR FLOAT SUPERAUT.	FLOTTEUR MAGNETIQUE	MAGNET	MAGNETE X GALLEGGIANTE SUPERAUT.	
29	421944042951	PIAS.MAGNETE SPORT.METAL.XSM ACC	STEEL PLATE FOR DOOR MAGNET XSM	PLAQUETTE ACIER POUR AIMANT DE	KONTAKT ZU MAGNET	STEEL PLATE FOR DOOR MAGNET XSM	
30	421944061901	COP.CONT.CAF.GRA.SMR/TE ANM/L	G/ANM BEAN COF.CONT.LID SMRG/TE	COUVERCLE BAC A CAFE	G/ANM BEAN COF.CONT.LID SMRG/TE	G/ANM BEAN COF.CONT.LID SMRG/TE	
31	421944032481	AS.COP.CONT.CAF.GRA.SMR ANM/L	ANM/L BEAN COF.CONT.LID SMRG/TE				
32	421944059671	TAPPO POST.COP.SUP.SMR	BACK PLUG UPPER COVER CASING SMR	COUVERCLE SUP ARRIERE	BACK PLUG UPPER COVER CASING SMR	BACK PLUG UPPER COVER CASING SMR	
33	421944032361	CONT.CAF.GRA.V3 SMRO GR/ITRASP.	TRANSP/GRY BEAN COF CONTAINER V3	BAC CAFE V3	TRANSP/GRY BEAN COF CONTAINER V3	TRANSP/GRY BEAN COF CONTAINER V3	
34	12000895	TAPPO ANT.COP.SUP.SMR	FRONT PLUG UPPER COVER CASING SM	COUVERCLE FRONTAL	FRONT PLUG UPPER COVER CASING SM	FRONT PLUG UPPER COVER CASING SM	
35	17800442	VITE TSP 3X10 PLAST.INOX	SCREW TSP TORX 10 3X10 PLAST.SS	VIS TSP 3X10 PLAST.INOX	TORXSCHRAUBE 3X10	SREW TSP TORX 10 3X10 PLAST.SS	
36	421944009421	SUPP.REED SMRO NER.	BLK REED SUPPORT SMRO	SUPPORT NOIR	BLK REED SUPPORT SMRO	BLK REED SUPPORT SMRO	
37	421941308901	AS.CONN.2P.SENS.REED FONDI CST	2POLES CONNECT SENSOR REED DUMP	CONNECTEUR 2 POLES	2POLES CONNECT SENSOR REED DUMP	2POLES CONNECT SENSOR REED DUMP	
38	421941305811	AS.CPU+SW SMRO/IT 230V	CPU+SW SMRO/IT 230V ASSY	AS. CPU+SW SMRO/IT 230V	AS. CPU+SW SMRO/IT 230V	AS. CPU+SW SMRO/IT 230V	
39	421944080441	AS.CPU+SW SMRO/ITV2 230V	CPU PWR + SW Lirika OTC 120V ASS	ENVELOPPE ARRIERE NOIRE	ABDECKUNG SCHNITTSTELLE	MATT/BLK REAR CASING PROGRAM.INS	
40	17001484	INS.PROGRAMMAZ.CARC.POS.NPR NER/	MATT/BLK REAR CASING PROGRAM.INS	VITE TCB TORX 10 3X8 PLASTZN-B	TORX-BLECHSCHR. 3X8	VITE TCB 3X8 PLAST.ZN-B	
41	129913202	VITE TCB 3X8 PLAST.ZN-B	SCREW TCB TORX 10 3X8 PLAST.ZN-B	PRISE 12A 250V	NETZSCHALTER	SWI POW 2P 12A 250V FASTON GP12H	
42	242212625104	INT.BIPOL.EVEREL GP12H121M000W	INT.BIPOL.10A 250V FASTON 8500 B	PRISE 10A 250V	NETZANSCHLUß	SWI POW 2P 10A 250V FASTON 8500	
43	242212625106	PRESA A VASCH.C/SMUSSI EN 60320	CUP SOCKET EN 60320 C 13	SOCLE EN 60320 C 13	SEITENTÜR SW.	PRESA A VASCH.C/SMUSSI EN 60320	
44	17001065	INS.SPUNSCAT.SMR/TE P-S-E	MATT/BLACK RIGHT SIDE DOOR SMR	PORTE LATERALE DROITE	PS-E UPPER INSERT FOR BOX SMRG	MATT/BLACK RIGHT SIDE DOOR SMR	
45	421944055261	CHIAVE REG.MAGIN.CAF.P0049 NER.	BLACK GRINDER ADJUSTMENT KEY P00	CLEF DE REGLAGE P0049	SCHLÜSSEL MAHLWERKSEINSTELLUNG	CHIAVE REG.MAGIN.CAF.P0049 NER.	
46	421944067542	LIB.IST.V2 SAE R19851 SMRO/PT KO	MANUAL V2 SAE R19851 SMRO/PT KOR	MANUAL SAE R19851 V2 SMRO/PT NL	UNTERESTYROPORABDECKUNG	PS-E LOWER INSERT FOR BOX SMR	
47	421944074111	LIB.IST.V2 SAE R19851 SMRO/PT CH	MANUAL V2 SAE R19851 SMRO/PT CHN		KARTON LIRIKA	WHT EXTERNAL BOX SMRO SAE LIRIKA	
48	421944076421	MANUAL SAE SUP041EU SMRO/PT TWN	MANUAL SAE SUP041EU SMRO/PT TWN				
49	421946032122	LIB.IST.SAE R19851 V2 SMRO/PT IT	MANUAL SAE R19851 V2 SMRO/PT IT				
50	421946032132	LIB.IST.V2 SAE R19851 SMRO/PT GB	MANUAL V2 SAE R19851 SMRO/PT GB				
51	421946032142	LIB.IST.SAE R19851 V2 SMRO/PT DE	MANUAL SAE R19851 V2 SMRO/PT DE				
52	421946032152	LIB.IST.SAE R19851 V2 SMRO/PT FR	MANUAL SAE R19851 V2 SMRO/PT FR				
53	421946032162	LIB.IST.SAE R19851 V2 SMRO/PT ES	MANUAL SAE R19851 V2 SMRO/PT ES				
54	421946032172	LIB.IST.SAE R19851 V2 SMRO/PT PT	MANUAL SAE R19851 V2 SMRO/PT PT				
55	421946032182	LIB.IST.SAE R19851 V2 SMRO/PT NL	MANUAL SAE R19851 V2 SMRO/PT NL				
56	421946032192	LIB.IST.SAE R19851 V2 SMRO/PT SV	MANUAL SAE R19851 V2 SMRO/PT SV				
57	421946032212	LIB.IST.SAE R19851 V2 SMRO/PT PL	MANUAL SAE R19851 V2 SMRO/PT PL				
58	421946032222	LIB.IST.SAE R19851 V2 SMRO/PT RU	MANUAL SAE R19851 V2 SMRO/PT RU				
59	421946032232	LIB.IST.SAE R19851 V2 SMRO/PT HU	MANUAL SAE R19851 V2 SMRO/PT HU				
60	421946032242	LIB.IST.SAE R19851 V2 SMRO/PT CS	MANUAL SAE R19851 V2 SMRO/PT CS				
61	421946032252	LIB.IST.SAE R19851 V2 SMRO/PT RO	MANUAL SAE R19851 V2 SMRO/PT SK				
62	421946032262	LIB.IST.SAE R19851 V2 SMRO/PT RO	MANUAL SAE R19851 V2 SMRO/PT RO				
63	421946032272	LIB.IST.SAE R19851 V2 SMRO/PT BG	MANUAL SAE R19851 V2 SMRO/PT BG				
64	13001671	INS.INF.SCAT.SMR PS-E	PS-E LOWER INSERT FOR BOX SMR	PROTECTION EMBALLAGE BAS		PS-E LOWER INSERT FOR BOX SMR	
65	4219440312311	SCAT.EST.BIA.SMR SAE LIRIKA	WHT EXTERNAL BOX SMRO SAE LIRIKA	CARTON EMBALLAGE LIRIKA		WHT EXTERNAL BOX SMRO SAE LIRIKA	

N.POSI COD	I - DESCRIZIONE	UK - DESCRIPTION	F - DESCRIPTION	D - BEZEICHNUNG	E - DESCRIPCION	NOTE
47	11001985 CAVO AL. KOREA 3X1 H05VV-F NER.L=	BLACK POWER CABLE KOREA L=1200	NON UTILISE PAR LA FRANCE ET LE	Netzkabel Korea H05vv-F 3x1 Sz.	CAVO AL. KOREA 3X1 H05VV-F NER.L=	KR
47	11004247 CAVO AL. CINA RVV 3X1 C/C. NER.L=1	BLACK POWER CABLE RVV 3X1 CHINA	NON UTILISE PAR LA FRANCE ET LE	Netzkabel Schwarz China L=1200mm	CAVO AL. CINA RVV 3X1 C/C. NER.L=1	CHN
47	183911050 CAVO AL. SCH.3X1 H05VV-F NER.L=12	BLACK POWER CABLE SCHUKO L=1200	CABLE ALIMENTATION	NETZANSCHLUSSKABEL	CAVO AL. SCH.3X1 H05VV-F NER.L=12	KR
47	183921950 CAVO AL. USA SJT3 UL 16AWG NERO L	POWER CABLE SJT3 USA BLACK UL L=	POWER CABLE SJT3 USA BLACK UL L=	Netzkabel schwarz USA L=1200 mm	CAVO AL. USA SJT3 UL 16AWG NERO L	USA
47	421946041821 CAVO AL. TAIW. V2 HVC TF 3X2 C/C NE	BLK POWER CABLE TAIWAN V2 HVC TF	NON UTILISEE PAR LA FRANCE ET LE	Anschlusskabel Argentinien	BLACK WATER DRAINAGE CONVEYOR SM	TWN
47	CAVO AL. ARGENT. C/SPINA EN60320 C	CABLE ARGENTINA + PLUG EN60320 C	CONVOYEUR D'EAU	BLACK WATER DRAINAGE CONVEYOR SM	BLACK WATER DRAINAGE CONVEYOR SM	RA
48	17000674 CONVOGLACO. SCARICO SMR/B-T NER.	BLACK WATER DRAINAGE CONVEYOR SM				

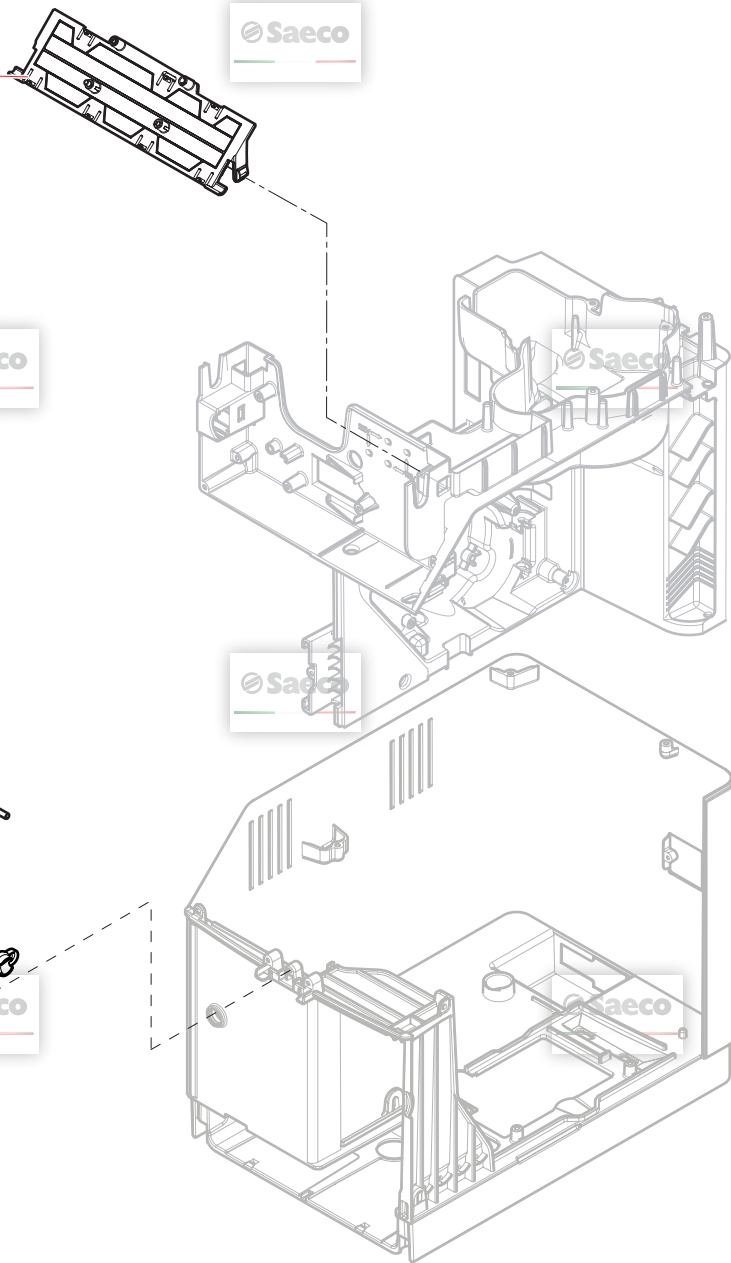
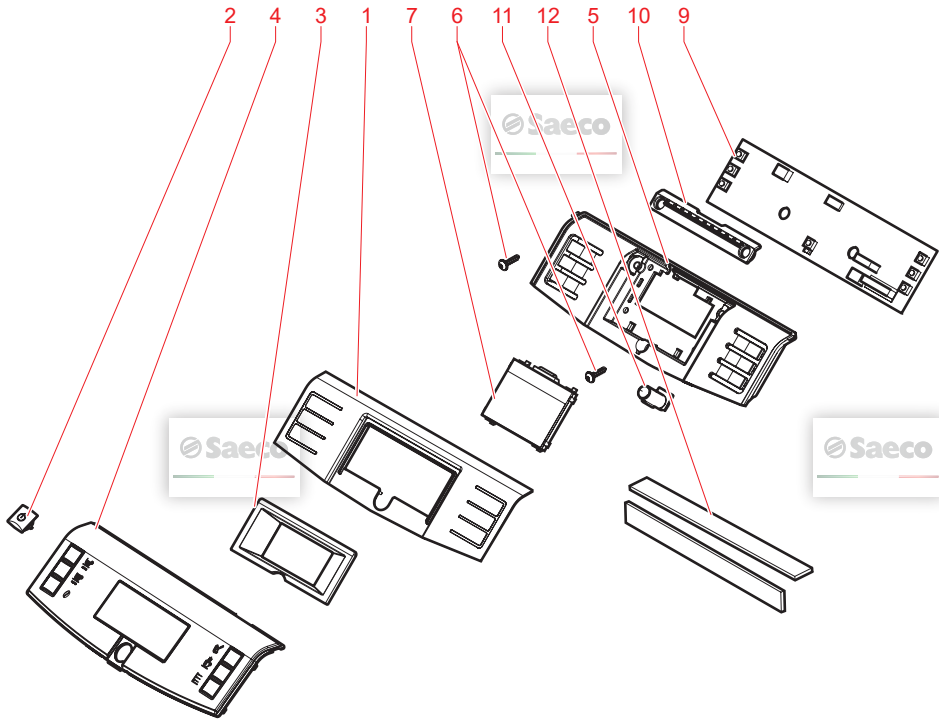
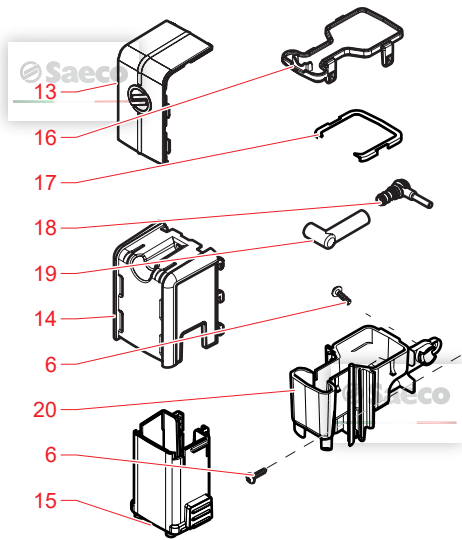
© by Saeco, a company of Evoca Group - GAGGIO MONTANO

E74225

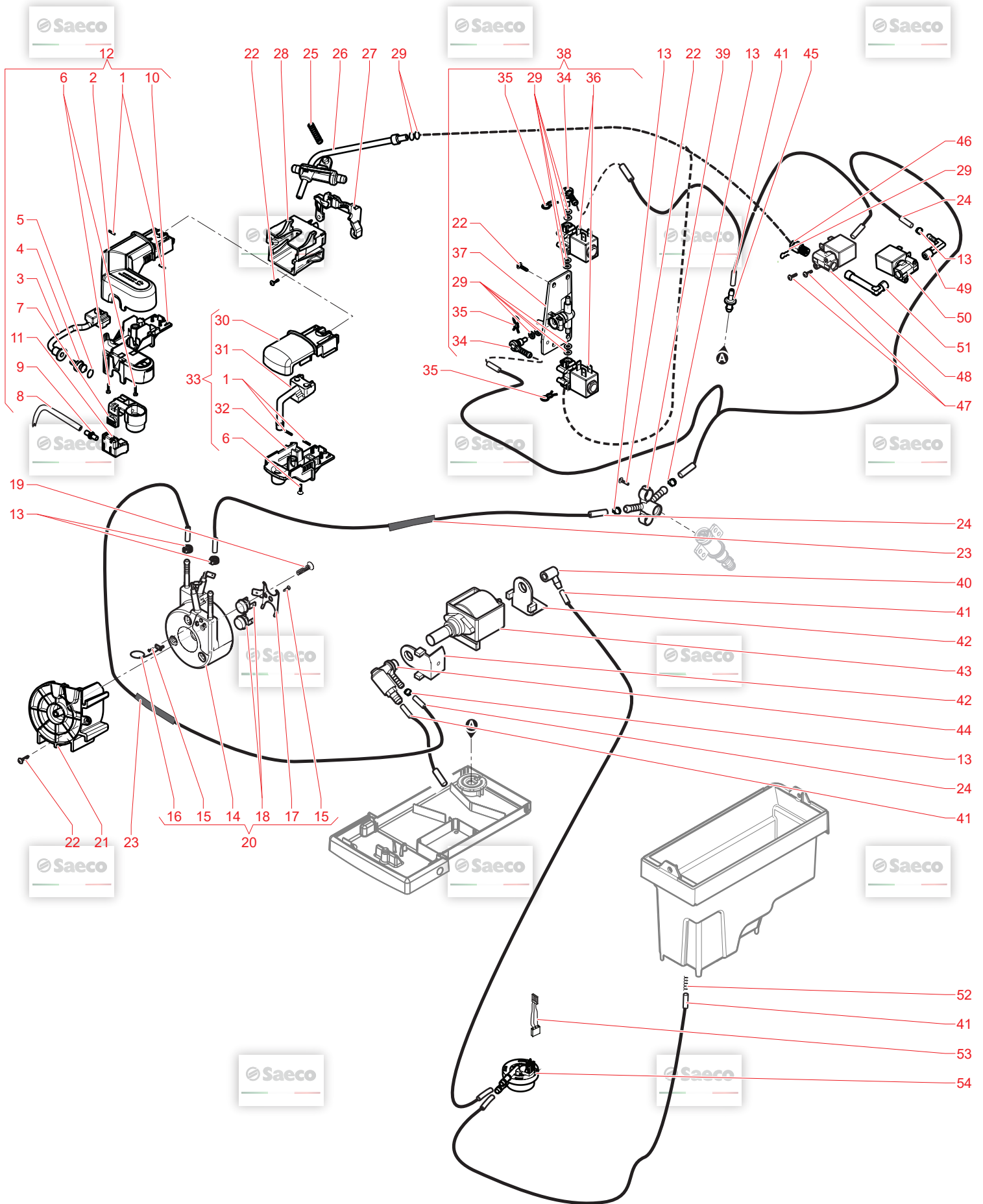
01

14/02/2019

Lirika OTC

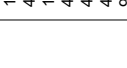
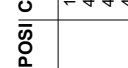


N.POSI COD	I - DESCRIZIONE	UK - DESCRIPTION	F - DESCRIPTION	D - BEZEICHNUNG	E - DESCRIPCION
1	MEMBRANA FRONT.V3 SMR/H-P-T NER. TASTO STAND-BY SMRO TRASP SER. CORNICE DISPLAY FRAME SMR	BLK FRONT PANEL MEMBRANE V3 SMR/ TRASP STAND-BY BUTTON S/SCR SMR BLACK DISPLAY FRAME SMR	MEMBRANA FRONT.V3 SMR/H-P-T NER. BOUTON STAND BY CADRE D'AFFICHAGE NOIR	MEMBRANA FRONT.V3 SMR/H-P-T NER. TASTE STAND-BY SUPPORT/DISPLAY	MEMBRANA FRONT.V3 SMR/H-P-T NER. TRASP STAND-BY BUTTON S/SCR SMR BLACK DISPLAY FRAME SMR
2	AS.FRONT.DISPLAY SMRO/PT INOX SE AS.SUPP.DISPLAY V2 SMR/H-P-T NER VITE TCBR 3.5X12 PLAST.ZN-N DISPLAY HIGO FL	SS DISPLAY FRONT PAN S/SCR SMRO/ BLK DISPLAY SUPPORT V2 SMR/H-P-T SCREW TCBR TORX 10 3.5X12 PLAST. DISPLAY HIGO FL	AS.FRONT.DISPLAY SMRO/PT INOX SE SUPPORT DISPLAY V2 SMR VIS TCBR TORX 10 3.5X12 PLASTZN DISPLAY HIGO FL	AS.FRONT.DISPLAY SMRO/PT INOX SE BLK DISPLAY SUPPORT V2 SMR/H-P-T TORXSCHRAUBE 3.5X12 DISPLAY HIGO FL	AS.FRONT.DISPLAY SMRO/PT INOX SE BLK DISPLAY SUPPORT V2 SMR/H-P-T VITE TCBR 3.5X12 PLAST.ZN-N DISPLAY HIGO FL
3	SUPP.KYB - INTEERFACE DISPLAY SM KYB - DISPLAY SMR/H 230V	BLACK DISPLAY KEYBOARD SUPPORT S KYB - DISPLAY SMR/H 230V	SUPPORT CLAVIER AFFICHAGE DISPLAY SMR/H 230V	HALTESUPPORT DISPLAY/TASTATUR KYB - DISPLAY SMR/H 230V	BLACK DISPLAY KEYBOARD SUPPORT S KYB - DISPLAY SMR/H 230V
4	KYB - DISPLAY SMR/H 120V SUPP.MEMBRANA FRONT SMR/H-P-T NE GUIDA LUCE TASTO STAND-BY SMR BI AERSTOP ADES SMR NER.	KYB - DISPLAY SMR/H 120V BLK FRONT.PANEL MEMBRANE SUPP.SM WHITE STAND-BY BUTTON LIGHT GUID BLK ADH.AERSTOP SMR	KYB - DISPLAY SMR/H 120V SUPPORT MEMBRANE BOUTON LUMINEUX STAND BY PLAQUE ADHESIVE	KYB - DISPLAY SMR/H 120V SUPPORT MEMBRAN SCHALTVERLÄNGERUNG SW. MOOSGUMMI	BLK FRONT.PANEL MEMBRANE SUPP.SM WHITE STAND-BY BUTTON LIGHT GUID BLK ADH.AERSTOP SMR
5	COP.FRONT.EROG.CAF SMR INOX BA COP.EROG.CAF SMR NER/OP. AS.PARTE MOB.EROG.CAF SMR NER/OP PARTE MOB.EROG.CAF V2 SMR NER/OP COP.CORPO EROG.CAF V3 SMR NER. GUARN.CORPO EROG.CAF SMR BIA.	BA SS COP.DISPENS.FRONT PLATE CO MATT/BLACK COFFEE DISPENSER LID M/BLK COF.DISPEN.MOBILE PART SMR M/BLK COF.DISPEN.MOBILE PART V2 BLK COFFEE DISPENSER BODY LID V3 WHT COFFEE DISPENSER BODY SEAL S	COUVERCLE DISTRIBUTION CAFE FACADE MOBILE M/BLK COF.DISPEN.MOBILE PART V2 M/BLK COF.DISPEN.MOBILE PART V2 CACHÉ CORPS DISTRIBUTION RACCORD GOUDE SORTIE CAFE TUBE RACCORD	INNERE AUSLAUFABDECKUNG AUSLAUFVERLÄNGERUNG M/BLK COF.DISPEN.MOBILE PART V2 M/BLK COF.DISPEN.MOBILE PART V2 BLK COFFEE DISPENSER BODY LID V3 BLK COFFEE DISPENSER BODY SEAL S	MATT/BLACK COFFEE DISPENSER LID M/BLK COF.DISPEN.MOBILE PART SMR M/BLK COF.DISPEN.MOBILE PART V2 BLK COFFEE DISPENSER BODY LID V3 BLK COFFEE DISPENSER BODY SEAL S
6	RAC.USCITA CAF/GRUP.SMR NER. TUBO RAC.USCITA CAF GRUP.SMR TRA TUBO EROG.CAF SMR SIL.TRASP. CORPO EROG.CAF SMR NER.	BLK BREW UNIT COFFEE OUTLET CONN TRANS.BREW UNIT COF.OUTLET CONN. TRASP.SIL.COFFEE DISPENSER TUBE BLACK COFFEE DISPENSER BODY SMR	TRASP.SIL.COFFEE DISPENSER TUBE CORPS DISTRIBUTION CAFE	RACCORD ZU KAFFEEGRUPPE SILIKONWINKEL TRASP.SIL.COFFEE DISPENSER TUBE KAFFEEAUSLAUF	BLK BREW UNIT COFFEE OUTLET CONN TRANS.BREW UNIT COF.OUTLET CONN. TRASP.SIL.COFFEE DISPENSER TUBE BLACK COFFEE DISPENSER BODY SMR
7	CORPO EROG.CAF V3 SMR NER.	BLK COFFEE DISPENSER BODY V3 SMR	BLK COFFEE DISPENSER BODY V3 SMR	BLK COFFEE DISPENSER BODY V3 SMR	BLK COFFEE DISPENSER BODY V3 SMR





N.POSI	COD	I - DESCRIZIONE	UK - DESCRIPTION	F - DESCRIPTION	D - BEZEICHNUNG	E - DESCRIPCION
1	11005395	MOLLA TASTO SGANC. SUPP.CO.NT.LAT.	STEEL MILK CONTAINER SUPPORT SPR	RESSORT BOUTON	Feder Milchbehälterverschluss	MOLLA TASTO SGANC.SUPP.CO.NT.LAT.
2	4219440061611	AS.COP.CAPPUCCINAT.SMRO/PT NER/O	M/BLK CAPPUCCINATOR COVER SMRO/	BLK VENTURI TUBE FOR CARAFE TRX5	BLK VENTURI TUBE FOR CARAFE TRX5	BLK VENTURI TUBE FOR CARAFE TRX5
3	4219440048342	TUBO ERGO.LATTE CAPP.V2 SMRO/PT	BLK CAPP.MILK DISPENSER TUBE V2	JOINT 106	O-Ring 106 SV, MC, P3/5	OR 106 SILICONE
4	4219440008151	TUBO VENTURI.CARAF.TRX5 NER.	BLK VENTURI TUBE FOR CARAFE TRX5	BLK VENTURI TUBE FOR CARAFE TRX5	BLK VENTURI TUBE FOR CARAFE TRX5	BLK VENTURI TUBE FOR CARAFE TRX5
5	NM01.028	OR 106 SILICONE	C-RING 106 SILICONE	JOINT 106	O-Ring 106 SV, MC, P3/5	OR 106 SILICONE
6	12001431	VITE TCB 3X12 PLAST.INOX	SCREW TCB TORX 10 3X12 PLAST.SS	VIS TCB 3X12 PLAST.INOX	Torx 10 3x12	VITE TCB 3X12 PLAST.INOX
7	4219440057121	AS.CAPPUCC.CARAF.SMRC NER/OT	BLK/BRASS CARAFE CAPPUC.SMRC ASS	SILICONE TUBE 3,5X6 L=340 MM	SILICONE TUBE 3,5X6 L=340 MM	BLK/BRASS CARAFE CAPPUC.SMRC ASS
8	4219440063591	TUBO SILICONE 3,5X6 L=340MM TAGL	SILICONE TUBE 3,5X6 L=340 MM	SILICONE TUBE 3,5X6 L=340 MM	SILICONE TUBE 3,5X6 L=340 MM	SILICONE TUBE 3,5X6 L=340 MM
9	17001382	INS.RAC.TUBO ASPIR.LATTE V2 RYL	BLK MILK INTAKE TUBE CONNECT.INS	INSERT RACCORD TUBE ASPIRATION L	Einsatz zu Raccord Milchrohr sch	INS.RAC.TUBO ASPIR.LATTE V2 RYL
10	4219440048352	COP.INF.CAPP.V2 SMRO/PT NER/OPT	M/BLK LOW.CAPP.COVER V2 SMRO/PT	M/BLK LOW.CAPP.COVER V2 SMRO/PT	M/BLK LOW.CAPP.COVER V2 SMRO/PT	M/BLK LOW.CAPP.COVER V2 SMRO/PT
11	4219440048351	CORPO ENTRATA LATTE CAPP.SMRO/PT	BLK INLET CAPP.MILK BODY SMRO/PT	BLK INLET CAPP.MILK BODY SMRO/PT	BLK INLET CAPP.MILK BODY SMRO/PT	BLK INLET CAPP.MILK BODY SMRO/PT
12	4219440051123	AS.CAPPUCCINATORE V3 SMRO/PT NER	BLK CAPPUCCINATOR V3 SMRO/PT NER	AS.CAPPUCCINATORE V3 SMRO/PT NER	AS.CAPPUCCINATORE V3 SMRO/PT NER	AS.CAPPUCCINATORE V3 SMRO/PT NER
13	12000892	FASCETTA OETIKER D=9,5 16700004	OETIKER CLAMP D=9,5 16700004	AGRAFE OETIKER D=9,5 16700004	OETTINGERKLEIMWE D=9,5	FASCETTA OETIKER D=9,5 16700004
14	4219440028841	AS.CALD.TUB.XS4 1900W 230V	TUB BOILER XS4 1900W 230V ASSY.	TUB BOILER XS4 1900W 230V ASSY.	TUB BOILER XS4 1900W 230V ASSY.	TUB BOILER XS4 1900W 230V ASSY.
15	4219440046121	AS.CALD.TUB.XS4 1300W 120V	TUB BOILER XS4 1300W 120V ASSY.	TUB BOILER XS4 1300W 120V ASSY.	TUB BOILER XS4 1300W 120V ASSY.	TUB BOILER XS4 1300W 120V ASSY.
16	12001715	VITE TCB M4X8 AUTOFORM.S/TEST.DE	SCREW TCB TORX 20 M4X8 AUTOFORMING	VIS CB TORX 20 M4X8 AUTOFORMING	TORXSCHRAUBE 4X8	SCREW TCB TORX 20 M4X8 AUTOFORMING
17	16000628	SENSORE TEMPERATURA NTC UL L=550M	TEMPERATURE SENSOR NTC UL L=550M	TEMPERATURE SENSOR NTC UL L=550M	TEMPERATURE SENSOR NTC	TEMPERATURE SENSOR NTC UL L=550M
18	11001751	MOLLA FERM.TERMOS.SUP.CALD.TUB.V	THERMOSTAT ONE SHOT 190°	RESSORT DE MAINTIEN THERMOSTAT	HALTBÜGEL MIT PE	MOLLA FERM.TERMOS.SUP.CALD.TUB.V
19	12001033	TERMOSTATO ONE SHOT 190°	THERMOSTAT ONE SHOT 190°	THERMOSTAT ONE SHOT 190°	THERMOSTAT ONE SHOT 190°	TERMOSTATO ONE SHOT 190°
20	12001280	VITE TSP 5X20 PLAST.ZN-B	SCREW TSP TORX 10 5X20 PLAST.ZN-	VIS TSP 5X20 PLAST.ZN-B	TORX SCHRAUBE 5X20	VITE TSP 5X20 PLAST.ZN-B
21	4219440046301	AS.GEN.CALD.TUB.XS4 1900W 230V	GEN.TUB.Boiler XS4 1900W 230V AS	GEN.TUB.Boiler XS4 1900W 230V AS	GEN.TUB.Boiler XS4 1900W 230V AS	GEN.TUB.Boiler XS4 1900W 230V AS
22	4219440055941	AS.GEN.CALD.TUB.XS4 GAG 1300W 120	GEN.TUB.Boiler XS4 GAG 1300W 120	GEN.TUB.Boiler XS4 GAG 1300W 120	GEN.TUB.Boiler XS4 GAG 1300W 120	GEN.TUB.Boiler XS4 GAG 1300W 120
23	4219440040831	SUPP.CALD.TUB.SLIM V2 SMR.NER.	BLK SLIM TUB BOILER SUPPORT V2 S	SUPPORT CHAUDIERE V2	BLK SLIM TUB BOILER SUPPORT V2 S	SUPP.CALD.TUB.SLIM V2 SMR.NER.
24	12000450	VITE TCBR 3,5X12 PLAST.ZN-N	SCREW TCBR TORX 10 3,5X12 PLAST.	VIS TCBR TORX 10 3,5X12 PLAST.ZN	TORXSCHRAUBE 3,5X12	VITE TCBR 3,5X12 PLAST.ZN-N
25	16000540	TUBO SILICONE 11X12,8 TRAS.PIN M	TRANS.PAR.11X12,8 SILICONE TUBE I	TUBE SILICONE 11X12,8 EN ROULEAU	SILIKONSCHLAUCH 11X12,8 UMMANTELT	TUBO SILICONE 11X12,8 SILICONE TUBE I
26	16000380	TUBO SIL.RETIN.5X8,9 MATASSA	5X8,9 SILICONE TUBE IN ROLL	TUBE SILICONE 5X8,9 EN ROULEAU	SILIKONSCHLAUCH 5X8,9 UMMANTELT	TUBO SIL.RETIN.5X8,9 MATASSA
27	17000006	MOLLA SUPP.TUBI TEFL.2VIE MYB9A	TWO WAY TEFLON TUBES SUPPORT SPR	MOLLA SUPP.TUBI TEFLON 2VIE MYB9A	Feder zu Aufnahme	MOLLA SUPP.TUBI TEFL.2VIE MYB9A
28	4219440029721	AS.SUPP.TUBO TEFL.PREF.145MM SMR	WHT PREFORM.TEFLON TUBE SUP.145	ENS SUPPORT TUBE TEFLON 145 SMR/	WHT PREFORM.TEFLON TUBE SUP.145	WHT PREFORM.TEFLON TUBE SUP.145
29	4219440008851	INS.CORPO INNES.CARAF.SMRT NER.	BLK CARAFE INSERT BODY SMRT	BLK CARAFE INSERT BODY SMRT	BLK CARAFE INSERT BODY SMRT	BLK CARAFE INSERT BODY SMRT
30	4219440008431	CORPO INNES.CARAF.SMRT NER.	BLK CARAFE INSERT BODY SMRT	BLK CARAFE INSERT BODY SMRT	BLK CARAFE INSERT BODY SMRT	BLK CARAFE INSERT BODY SMRT
31	140328059	OR 2015 SILICONE PTFE/FE/DA	OR 2015 SILICONE PTFE/FE/DA	JOINT OR 2015 SILICONE ROUGE	O-RING 2015 SILIKON	OR 2015 SILICONE PTFE/FE/DA
32	4219440090041	CORPO SUPEROG.ACQ.CALDA SMRT N	M/BLK UPPER BODY HOT WATER DISP	M/BLK UPPER BODY HOT WATER DISP	M/BLK UPPER BODY HOT WATER DISP	M/BLK UPPER BODY HOT WATER DISP
33	17001215	TUBO ERGO.ACQ.CALDA NRPRT NER.	BLK HOT WATER DISPENSER TUBE N	BLACK HOT WATER DISPENSER TUBE N	BLACK HOT WATER DISPENSER TUBE N	BLACK HOT WATER DISPENSER TUBE N
34	4219440090011	CORPO INF.EROG.ACQ.CALDA SMRT N	BLK LOWER BODY HOT WATER DISPENS	BLK LOWER BODY HOT WATER DISPENS	BLK LOWER BODY HOT WATER DISPENS	BLK LOWER BODY HOT WATER DISPENS
35	421941306191	AS.EROG.ACQ.CALDA SMRT NER.	BLK HOT WATER DISPENSER SMRT AS	BLACK HOT WATER DISPENSER TUBE N	BLACK HOT WATER DISPENSER TUBE N	BLK HOT WATER DISPENSER SMRT AS
36	4219440059391	RAC.FAST LOCK PPS 90° TUBO SIL.RE	WHT CONNECT.FAST LOCK 90 SILIC.T	BUSE EAU CHAUDE NOIRE SMRT ASSY	BLK HOT WATER DISPENSER SMRT AS	FORCELLA X TUBO D=4 INOX
37	9011.144	FORCELLA X TUBO D=4 INOX	SS FORK FOR TUBE D=4	AGRAFE TUYAU	Sicherungsfeder Schlauch VI, RO	FORCELLA X TUBO D=4 INOX
38	4219460041361	EV 2VIE PLASTICA D.2 24V	2WAY SOLENOID PLASTIC VALVE D.2	SOLENOID VALVE LIRIKA OTC ASSY	SOLENE VALVE LIRIKA OTC ASSY	SOLENE VALVE LIRIKA OTC ASSY
39	4219440074971	SUPP.C/RAC.ELETTROV.LIRIKA OTC	ELECTROV.SUPPORT W/CONNECT.LIRIK	SOLENE VALVE LIRIKA OTC ASSY	SOLENE VALVE LIRIKA OTC ASSY	SOLENE VALVE LIRIKA OTC ASSY
40	4219440074991	AS.ELETTROV.LIRIKA OTC	SOLENE VALVE LIRIKA OTC ASSY	SOLENE VALVE LIRIKA OTC ASSY	SOLENE VALVE LIRIKA OTC ASSY	SOLENE VALVE LIRIKA OTC ASSY
41	11002149	RAC.PERNO CALD.V2 SMR.NER.	BLK CONNECTOR FOR PIN BOILER V2	RACCORD CHAUDIERE NOIR V2 SMR	RACCORD 90° GUMMI	BLK CONNECTOR FOR PIN BOILER V2
42	148205850	RAC.90° USCITA POMPA P0049/A NER	BLACK PUMP OUTLET 90° CONNECTOR P	SORTIE DE POMPE NOIRE 90°CONNECT	SILIKONSCHLAUCH 5X10 UMMANTELT	TUBO SILICONE 5X10 60SH IN MATAS
43	12000140	TUBO SILICONE 5X10 60SH IN MATAS	SILICONE TUBE 5X10 60SH IN ROLL	TUBE SILICONE 5X10 EN ROULEAU	GUMMIHALTER PUMPE	SUPP.POMPA TYP ULKA C/SMUSSO NER
44	12000142	SUPP.POMPA TYP ULKA C/SMUSSO NER	BLACK TYPE ULKA PUMP W/BEVEL SUP	SUPPORT POMPE ULKA	POMPE 120V-60HZ	POMPA 120V-60HZ PLASTICA
45	12000140	POMPA 120V-60HZ PLASTICA	PUMP 230V-50HZ	POMPE 120V-60HZ	Pumpe Ulka	POMPA 120V-60HZ PLASTICA
46	12000182	POMPA ULKA EP5/S GW 220V-60HZ	ULKA PUMP EP5/S GW 220V-60HZ	ULKA PUMP EP5/S GW 220V-60HZ NO	Pumpe Ulka	POMPA ULKA EP5/S GW 220V-60HZ
47	4219440081531	POMPA ULKA EP5/S 120V-60HZ	ULKA PUMP EP5/S 120V-60HZ	AS.VALV/SIC.16-18 BAR OTL-F	Sicherheitsventil kpl. 16-18 BA	AS.VALV/SIC.16-18 BAR OTL-F
48	11024863	AS.VALV/SIC.16-18 BAR OTL-F	L-F/BR.SAFETY VALVE 16-18 BAR AS	RACCORD D'EAU	BLACK WATER DRAINAGE CONNECTOR S	BLACK WATER DRAINAGE CONNECTOR S
49	17001060	RAC.ACO.SCARICO SMR-B T NER.	BLACK WATER DRAINAGE CONNECTOR S	"L-F/BRASS CONNECTOR 1/8" FOR TUB"	"L-F/BRASS CONNECTOR 1/8" FOR TUB"	"L-F/BRASS CONNECTOR 1/8" FOR TUB"
50	11027572	"RAC.1/8" CONICO X TUBO D=4 OTL-F"	"L-F/BRASS CONNECTOR 1/8" FOR TUB"	VIS TCB M4X8 UNI 7687 ZNP	SCHRAUBE M4X8	VITE TCB M4X8 UNI 7687 ZNP
51	129823802	VITE TCB M4X8 UNI 7687 ZNP	TCB SCREW M4X8 UNI 7687 ZNP	ELECTROV.M4X8 3 VOIES OT157	3-wege Elektromagnetventil OT157	3WAY EV OT157 (31UN1XR/V20-SXT+LBV
52	11024039	EV 3VIE OT157 (31UN1XR/V20-SXT+LBV	3WAY EV OT157 (31UN1XR/V20-SXT+LBV	RACCORD 90° ELECTROV.M4X8	Raccord 90° zu Elektromagnetventil	RACCORD 90° ELECTROV.M4X8
53	17001269	RACCORD 90° ELECTROV.M4X8	BRASS 2WAY EV 21JUN1RRV20-XH+LBV/O	ENS ELECTROV.M4X8 2 VOIES	ELEKTROVENTIL 2-WEGE	EV 2VIE 21JUN1RRV20-XH+LBV/O5024CU
54	11024038	EV 2VIE 21JUN1RRV20-XH+LBV/O5024CU	L-F/BRASS 90°CONNECTOR V2 FOR FA	RACCORD 90° ELECTROV.M4X8	FEDER IN SCHLAUCH	L-F/BRASS 90°CONNECTOR V2 FOR FA
55	11031400	RACCORD 90° ELECTROV.M4X8	RESSORT POUR TUBE PRODUIT 1	RESSORT POUR TUBE PRODUIT 1	FEDER IN SCHLAUCH	MOLLA X TUBO PRODOTTO 1
56	0701.081	MOLLA X TUBO PRODOTTO 1	3POLES CONNECTOR FLOWMETER SMR U	CONNECTEUR DEBITMETRE 3 POLES UL	ANSCHLÜßKABEL TURBINE	3POLES CONNECTOR FLOWMETER SMR U
57	178000686	AS.CONN.3P.TURBINA SMR UL	TURBINE D=1,2 ASSY.	DEBITMETRE D=1,2	TURBINA D=1,2	AS.TURBINA D=1,2
58	NV99.099	AS.TURBINA D=1,2				



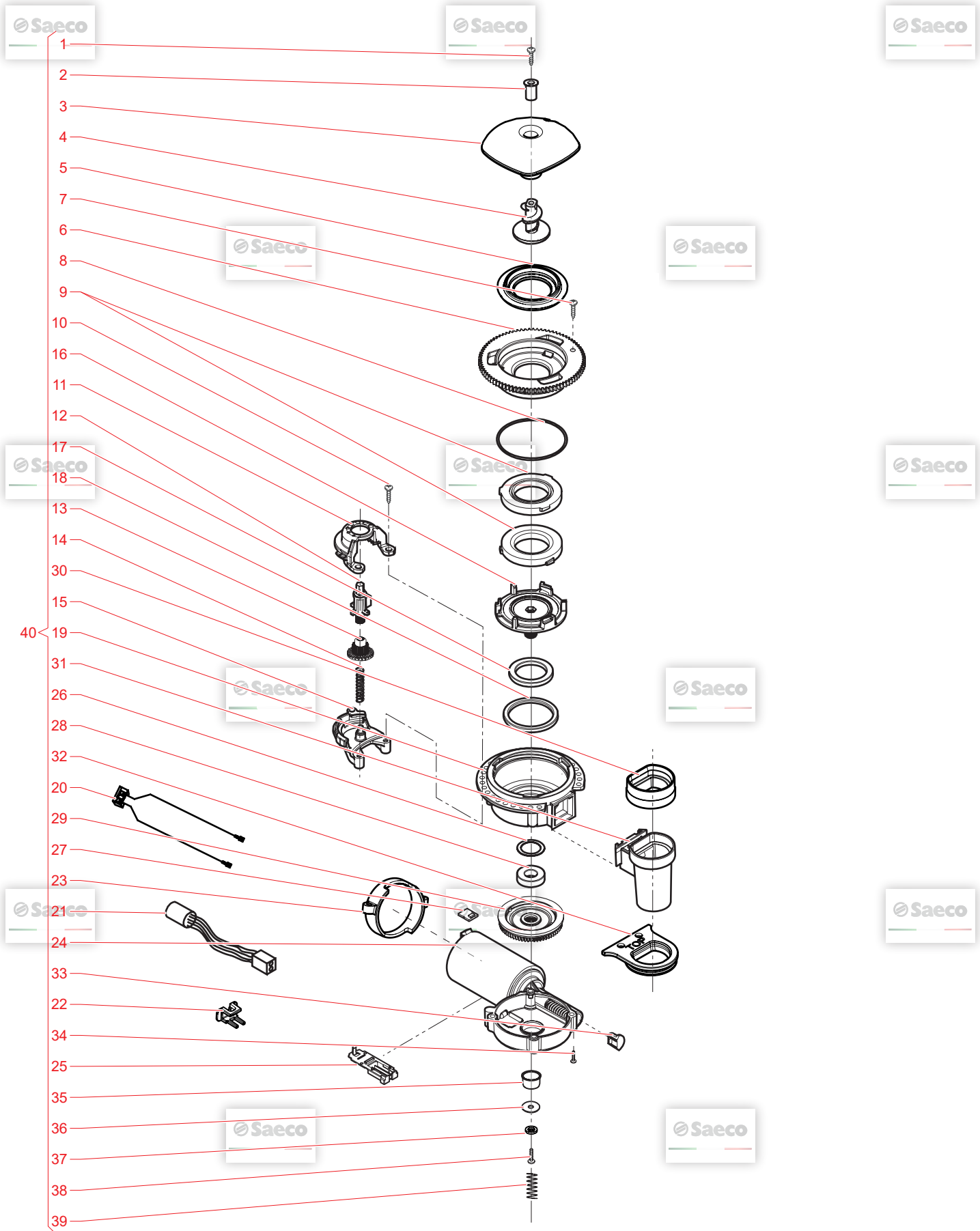
NOTE

da matr. TW901724324632  
da matr. TW901724324632  
da matr. TW901724324632

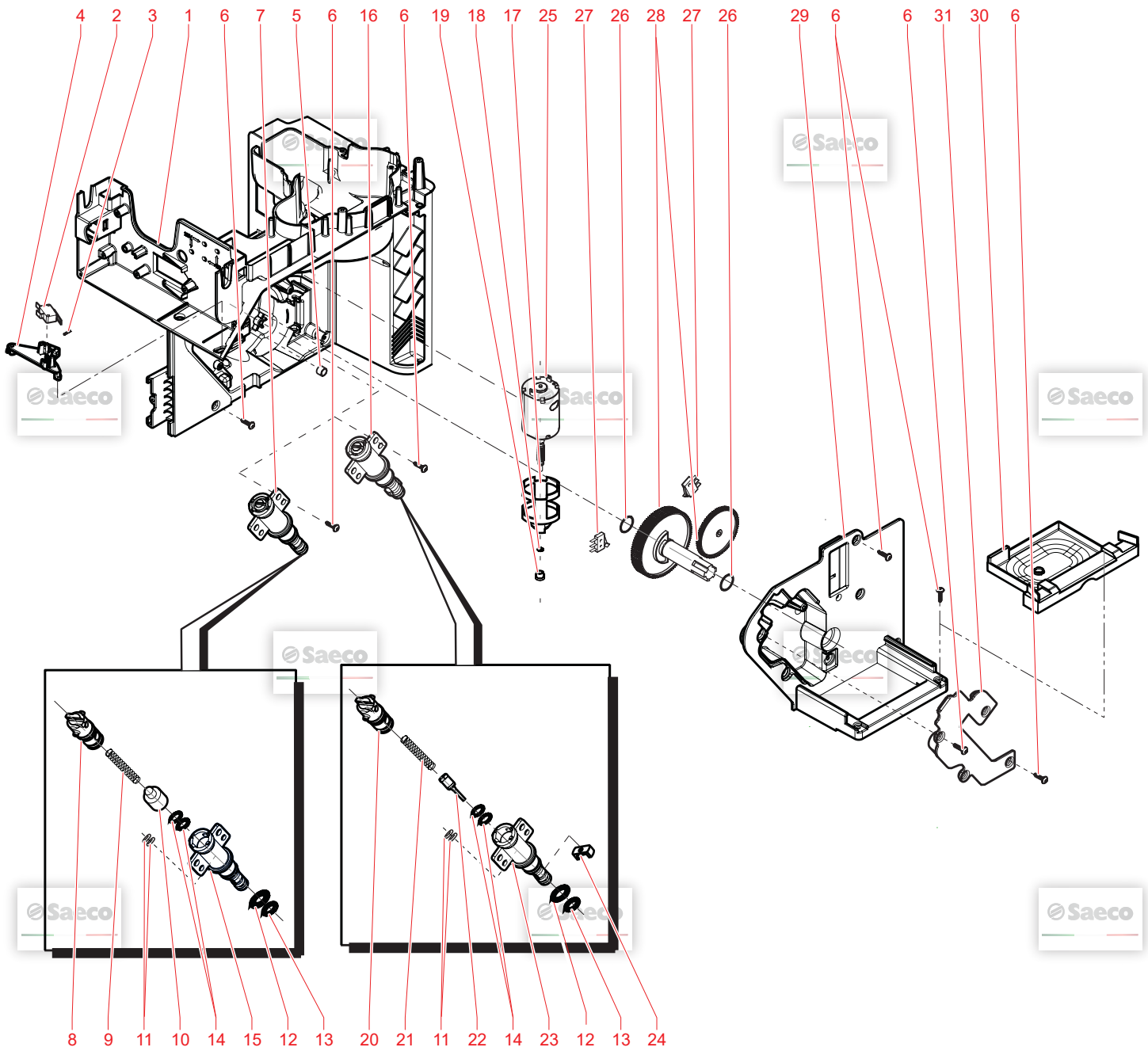
230V  
120V

230V  
120V  
KR  
USA

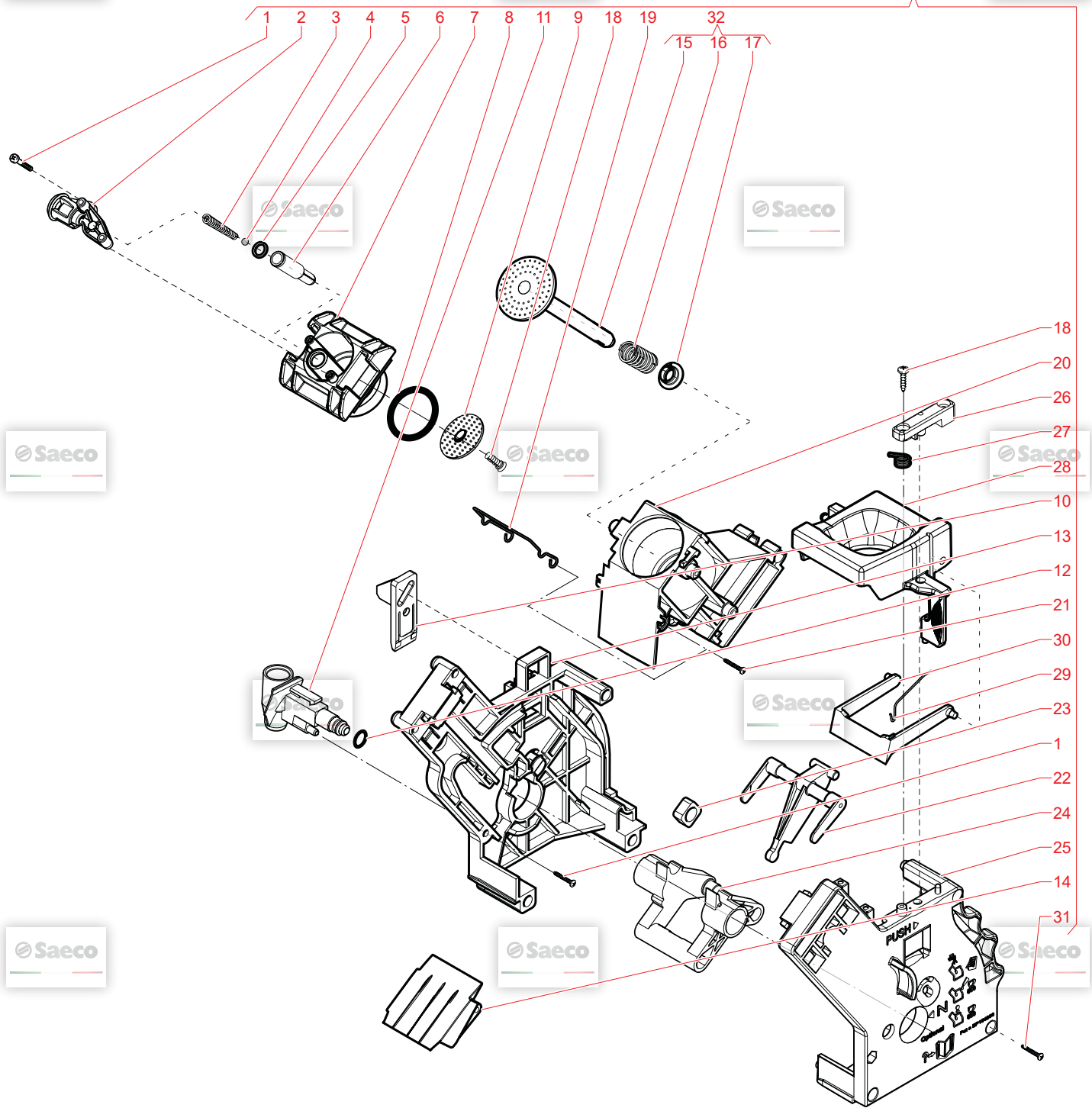
fino matr. TW901724324632  
fino matr. TW901724324632  
fino matr. TW901724324632  
fino matr. TW901724324632  
fino matr. TW901724324632



N.POSI	COD	I - DESCRIZIONE	UK - DESCRIPTION	F - DESCRIPTION	D - BEZEICHNUNG	E - DESCRIPCION	NOTE
1	U043.004	VITE TCB TORX 20 M4X16 ZN-B	ZN-B TCB TORX 20 M4X16 ZN-B	VIS TCB TORX 20 M4X16 ZN-B	LINSEN BLECHSCHR. MTCB TORX 20 M	VITE TCB TORX 20 M4X16 ZN-B	tutte tranne 120V
2	11012466	BOC.PROT.DITO CONT.CAF.GRA.P0057	BRASS BUSH BEAN CONT.FINGER PROT	RONDELLE DE PROTECTION BAC CAFE	FINGERSCHUTZ	BOC.PROT.DITO CONT.CAF.GRA.P0057	tutte tranne 120V
3	17001008	PROT.DITO CONT.CAF.GRA.SMR UL TR	TRANS.BEAN CONTAIN.FINGER.PROTEC	COUVERCLE DE SECURITE	FINGERSCHUTZ	TRANS.BEAN CONTAIN.FINGER.PROTEC	tutte tranne 120V
4	11010031	VITE INCREMENTO CORTA MC ZAMATE	TEAZAMA INCREASE SCREW GRINDER	VIS ENTRAINEMENT	BOHNEINZUGSSCHNECKE. KURZ. TEA	VITE INCREMENTO CORTA MC ZAMATE	
5	421941085872	GUARN.MC P119 SILIC.GRI.7035	COFFEE GRINDER SEAL P119 GRY 703	JOINT MOULIN A CAFE	COFFEE GRINDER SEAL P119 GRY 703	GUARN.MC P119 SILIC.GRI.7035	
6	4219440253581	BLK COF.GRINDER UPPER GRINDER SU	BLK COF.GRINDER UPPER GRINDER SU	SUPPORT SUPERIEUR MEULE V3	BLK COF.GRINDER UPPER GRINDER SU	BLK COF.GRINDER UPPER GRINDER SU	
7	12001622	SCREW TCB TORX B 3.5X9.5 LAMIERA ZN-N	SCREW TCB TORX B 3.5X9.5 SCHEET	VIS TCB B 3.5X9.5 LAMIERA ZN-N	TORXSCHRAUBE 3.5X9.5	VITE TCB B 3.5X9.5 LAMIERA ZN-N	
8	140328960	OR ORM 0530-15 NBR FDA	OR ORM 0530-15 NBR FDA	JOINT OR 0530-15	O-RING 0530-15	OR ORM 0530-15 NBR FDA	
9	146520100	MACINA 48X28 IN CERAMICA	BAKED CLAY GRINDER 48X28	MEULE 48X28 EN CERAMIQUE	MAHLSCHLEIBE 48X28. KERAMIK	MACINA 48X28 IN CERAMICA	
10	129914002	VITE TCB 3.5X16 PLAST.ZN-B	SCREW TCB TORX 10 3.5X16 PLASTZ	VIS TCB 3.5X16 PLAST.ZN-B	TORX-BLECHSCHR. 3.5X16	VITE TCB 3.5X16 PLAST.ZN-B	
11	11002508	SUPP.SUP.INGR.REG.MAC.P124 NER.	UPPER COFFEEGRINDER GEAR SUPPORT	ROUE A JUSTEMENT	SUPP.SUP.INGR.REG.MAC.P124 NER.	SUPP.SUP.INGR.REG.MAC.P124 NER.	
12	421944025161	INGR.REG.MACINAT.CAF.GRA.SMR GIA.	YLV BEAN COFFEE GRINDER INSERT S	INSERT REGLAGE MOULIN	INGR.REG.MACINAT.CAF.GRA.SMR GIA.	INGR.REG.MACINAT.CAF.GRA.SMR GIA.	
13	123030030	INGR.Z=14-24 REG.MAC.CAF.P0049 N	COFFEE GRINDING ADJUSTMENT GEAR	ENGRENAGE Z=14-24	MAHLGRADINSTELLUNG	INGR.Z=14-24 REG.MAC.CAF.P0049 N	
14	11002572	MOLLA.REG.MC P124 ACC.	COFFEE GRINDER REGULATION SPRING	RESSORT DE REGULATION MOULIN CAF	FEDER ZU ZAHNRAD MAHLGRADINSTEL	MOLLA.REG.MC P124 ACC.	
15	11002613	SUPP.INF.INGR.REG.MAC.P124 NER.	LOWER COFFEEGRINDER GEAR SUPPORT	SUPPORT INF.ENGRENAGE	SUPPORT UNTEN MAHLGRADINSTELLUN	SUPP.INF.INGR.REG.MAC.P124 NER.	
16	1491988350	SUPP.INF.MACINA MC V3 NER.	BLK LOWER COFFEEGRINDER GRINDER	SUPPORT INFERIEUR MEULE	SUPPORT ZU MAHLWERK UNTEN	SUPP.INF.MACINA MC V3 NER.	
17	123030030	CUSCINETTO ASSIALE EKKO 342.3525	AXIAL BEARING EKKO 342.3525	COUSSINET AXIALE EKKO	LAGER AXIAL	CUSCINETTO ASSIALE EKKO 342.3525	
18	140360500	ANELLO DE=45.4 DI=39.4H=4 IN FEL	FELT RING 45.4X39.4X4	ANNEAU FEUTRE	FILZRING DE=45.4 DI=39.4 H=4	ANELLO DE=45.4 DI=39.4H=4 IN FEL	
19	142905450	CORPO SUP.CUSCITA.CAF.MAC.MC NE	BLK UPPER BODY WITH COFFEE GROUN	CORPS SUPERIEUR MEULE	MOTORHALTERUNG MIT VERSTELLRING	CORPO SUP.CUSCITA.CAF.MAC.MC NE	
20	421946000941	AS.CONN.2P.MOTORE MC FUS.1.0A SM	2P.CONN.CO.F.GRIND.MOTOR FUSE1.0A	CONNEXION 2 POLES UL	ANSCHLUßKABEL MAHLWERK	2P.CONN.CO.F.GRIND.MOTOR FUSE1.0A	
21	4219460004841	AS.CONN.2P.MOTORE MC FUS.1.6A SM	2P.CONN.CO.F.GRIND.MOTOR FUSE1.6A	CONNEXION 2 POLES 1.6A	2P.CONN.CO.F.GRIND.MOTOR FUSE1.6A	2P.CONN.CO.F.GRIND.MOTOR FUSE1.6A	
22	17800687	AS.CONN.3P.SENSORE/MC SMR UL	3POLES CONNECTOR MC SENSOR SMR U	CONNECTEUR 3 POLES SENSEUR MOULI	KABEL ZU SENSOR	3POLES CONNECTOR MC SENSOR SMR U	
23	17001921	INS.FERMA.CABL.SCHEDA MC NER.	BLK WIRING FIX INSERT FOR GRINDE	INSERT POUR CABLAGE	KLEBME ZU KABEL	INS.FERMA.CABL.SCHEDA MC NER.	USA - TWN
24	11000184	SUPP.MOTORE MC P124 NER.	BLACK COFFEEGRINDER MOTOR SUPPOR	SUPPORT MOULIN	SUPPORT ZU MAHLWERKMOTOR	SUPP.MOTORE MC P124 NER.	
25	11000511	AS.MOTORE MC V3.1 MOD=1,25 SX 12	MOTOR COFFEEGRINDER V3.1 120V AS	MOTOR COFFEEGRINDER V3.1 120V AS	Mahlwerksmotor kplt. MOD=1,25 P1	AS.MOTORE MC V3.1 MOD=1,25 SX 12	120V
26	11000513	AS.MOTORE 230V	MOTOR COFFEEGRINDER V3.1 230V AS	MOTEUR MOULIN P124 230V	MAHLWERKSMOTOR MOD=1,25 230 V	AS.MOTORE 230V	230V
27	149199050	SUPP.SENS.TERMICO MOTORE MC NER.	BLK SENSOR SUPPORT FOR COF.GRIND	SENSOR SENSEUR	SUPPORT ZU SENSOR	SUPP.SENS.TERMICO MOTORE MC NER.	
28	128381800	RONDEL.BILANCIAMENTO 21,8X14X0,2	STEEL CRINKLE WASHER 21,8X14X0,2	RONDELLE DE BALANCEMENT 21,8X14X	AUSGLEICHSCHLEIBE	RONDEL.BILANCIAMENTO 21,8X14X0,2	
29	1815940900	SCHEDA C/SENS.HAL.506 SF-K C/CON	ELECTR.BOARD WITH SENSOR HAL506	PLATINE ELECTRONIQUE + SENSEUR	SENSOR MAHLWERK	SCHEDA C/SENS.HAL.506 SF-K C/CON	
30	123030200	CUSCINETTO RADIALE 61900.2RS1	RADIAL BEARING 61900.2RS1	COUSSINET 61900.2RS1	LAGER RADIAL	CUSCINETTO RADIALE 61900.2RS1	
31	226000300	AS.INGR.SX Z=38 MOVIM.MACINA C/C	GEAR SX Z=38 FOR GRINDER MOTION	ENGRENAGE MOTEUR MOULINURE S/CLASS	ZAHNRAD KPLT. Z=38 MIT MAGNET	AS.INGR.SX Z=38 MOVIM.MACINA C/C	
32	145854360	GUARN.SUP.CONT.CAF.MAC.SMART1 NE	BLK GROUND COFFEE CONT.UPPER SEA	GARNITURE MOULIN A CAFE	DICHTUNG OBEN ZU PULVERFACH	GUARN.SUP.CONT.CAF.MAC.SMART1 NE	
33	11026355	AS.CONVOGL.USCITA.CAF.MAC.V4 SMA	BLK GROUND COFFEE OUTLET CONVEYOR	CONVOYEUR CAFE	PULVERSCHACHT	AS.CONVOGL.USCITA.CAF.MAC.V4 SMA	
34	421944060561	GUARN.INF.CONT.CAF.MAC.V2 SMART1	GRY GROUND COF.CONT.LOWER SEAL V	SUPPORT CONVOYEUR CAFE	GRY GROUND COF.CONT.LOWER SEAL V	GUARN.INF.CONT.CAF.MAC.V2 SMART1	
35	149214800	TAPPO CENTRAG.VITE S/FINE MOD=1,	MC V3 MOD=1.25 WORM SCREW CENTRI	VIS TCB 3.5X30	ABDECKUNG SCHRAUBE MAHLWERKMOTOR	TAPPO CENTRAG.VITE S/FINE MOD=1,	
36	129661702	VITE TCB 3.5X30 PLAST.ZN-B	SCREW TCB TORX 3.5X30 PLAST.ZN-B	VIS TCB 3.5X30	SCHRAUBE 3.5X30 DIN 7505 VERZ.	VITE TCB 3.5X30 PLAST.ZN-B	
37	11002873	BOC.ISOLANTE MOTORE MC P124 NER.	INSULATOR BUSH FOR GRINDER MOTOR	RONDELLE ISOLATION MOTEUR P124	ISOLIERHÜLSE FÜR MAHLWERKMOTOR	BOC.ISOLANTE MOTORE MC P124 NER.	
38	128381902	RONDEL.PIANA DI=4,3 DE=14 SP=1,5	STEEL FLAT WASHER DI=4,3 DE=14 S	RONDELLE DI=4,3 DE=14 SP=1,5	UNTERLAGSCHLEIBE ZU MAHLWERK	RONDEL.PIANA DI=4,3 DE=14 SP=1,5	
39	128370402	ROSETTA UNI 8842 A4 ZINC.	GALV.WASHER UNI 8842 A4	RONDELLE DI=4,3 DE=14 A4 ZINC	FÄHERSCHLEIBE A4. 3 DIN6798 VERZI	ROSETTA UNI 8842 A4 ZINC.	
40	11000597	VITE TCB M4X30 ZN-B	SCREW TCB TORX 20 M4X30 ZN-B	VIS TCB M4X30 ZN-B	SCHRAUBE TCB M4X30 ZN-B	VITE TCB M4X30 ZN-B	
41	421944054591	MOLLA SUPP.MOTORE MC P124 ACC.	STEEL COF.GRINDER SUPPORT SPRING	RESSORT SUPPORT MOULIN	FEDER ZU SUPPORT MAHLWERKMOTOR	MOLLA SUPP.MOTORE MC P124 ACC.	
42	421944054611	AS.GEN.MOTORE MC V2 SMRO 120V	GEN.MOTOR COF.GRINDER V2 SMRO 12	GEN.MOTOR COF.GRINDER V2 SMRO 12	AS.GEN.MOTOR COF.GRINDER V2 SMRO 12	GEN.MOTOR COF.GRINDER V2 SMRO 12	
43	421944054611	AS.GEN.MOTORE MC V2 SMRO 230V	GEN.MOTOR COF.GRINDER V2 SMRO 23	MOULIN COMPLET 230V	AS.GEN.MOTORE MC V2 SMRO 230V	GEN.MOTOR COF.GRINDER V2 SMRO 230V	



N.POSI	COD	I - DESCRIZIONE	UK - DESCRIPTION	F - DESCRIPTION	D - BEZEICHNUNG	E - DESCRIPCION	NOTE
1	421944043602	AS.PIAS.MONTAG.MOTORID.V2 SMRG N	BLK RATIO MOTOR MOUNTING PLATE V2	PLAQUE DE MONTAGE MOTOREDUCTEUR	BLK RATIO MOTOR MOUNTING PLATE V2	BLK RATIO MOTOR MOUNTING PLATE V2	
2	12001890	MICROINT.XGV3D	MICROSWITCH XGV3D	MICROSWITCH XGV3D	FEDER	MICROSWITCH XGV3D	
3	421944006861	MOLLA.BILANCIERE.MICRO.SMR.ACC.	STEEL SPRING FOR MICRO COMPENSAT	RESSORT MICRO INTERRUPTEUR	SCHWINGE.MIKROSCHALTER	STEEL SPRING FOR MICRO COMPENSAT	
4	17001508	BILANCIERE.MICRO.SMR.NER.	BLACK MICRO COMPENSATOR SMR	MICRO COMPENSATEUR NOIR SMR	SCHWINGE.MIKROSCHALTER	BLACK MICRO COMPENSATOR SMR	
5	9161.111	MAGNETE X GALLEGGIANTE SUPERAUT.	MAGNET FOR FLOAT SUPERAUT.	FLOTTEUR MAGNETIQUE	TORXSCHRAUBE 3.5X12	MAGNETE X GALLEGGIANTE SUPERAUT.	
6	12001728	VITE TCBR 3.5X12 PLAST.INOX	SCREW TCBR TORX 10 3.5X12 PLAST.	VIS TCBR 3.5X12 PLAST.INOX	TORXSCHRAUBE 3.5X12	VITE TCBR 3.5X12 PLAST.INOX	fino matr. TW901724324632
7	421946011491	AS.PERNO CALD.VALV.4BAR.NER.	BLK PIN FOR BOILER VALVE 4BAR AS	CHEVILLE POUR CHAUDIERE VALVE 4B	BLK PIN FOR BOILER VALVE 4BAR AS	BLK PIN FOR BOILER VALVE 4BAR AS	fino matr. TW901724324632
8	421944027691	TAPPO PERNO CALD.VALV.4BAR.NER.	BLK CAP FOR PIN BOILER VALVE 4BA	BLK CAP FOR PIN BOILER VALVE 4BA	BLK CAP FOR PIN BOILER VALVE 4BA	BLK CAP FOR PIN BOILER VALVE 4BA	fino matr. TW901724324632
9	421944036701	MOLLA.PERNO CALDAIA.VALVOLA.4BAR	SPRING FOR PIN BOILER VALVE 4BAR	SPRING FOR PIN BOILER VALVE 4BAR	SPRING FOR PIN BOILER VALVE 4BAR	SPRING FOR PIN BOILER VALVE 4BAR	fino matr. TW901724324632
10	421944038251	VALVA FUNGO REGOL.FLUSSO.V2 P00	MUSHROOM VALVE FOR FLOW SELECTIV				
11	140328059	OR 2015 SILICONE PTFE/FDA	OR 2015 SILICONE PTFE/FDA	JOINT OR 2015 SILICONE ROUGE	O-RING 2015 SILIKON	OR 2015 SILICONE PTFE/FDA	
12	140328059	OR ORM 0090-20 SILICONE	OR ORM 0090-20 SILICONE	JOINT OR ORM 90-20	O-RING ORM 0090-20 SILICON	OR ORM 0090-20 SILICONE	
13	NM01.057	OR ORM 0050-20 SILICONE	OR ORM 0050-20 SILICONE	JOINT OR ORM 50-20	O-RING ORM 0050-20 SILICON	OR ORM 0050-20 SILICONE	
14	140324459	OR ORM 0060-20 SILICONE PTFE/FDA	OR ORM 0060-20 SILICONE PTFE/FDA	JOINT OR METRICO 0060-20 SILICON	O-RING 0060-20 SILICON	OR ORM 0060-20 SILICONE PTFE/FDA	
15	421944027711	PERNO CALD.VALV.4BAR.NER.	BLK PIN FOR BOILER VALVE 4BAR	BLK PIN FOR BOILER VALVE 4BAR	BLK PIN FOR BOILER VALVE 4BAR	BLK PIN FOR BOILER VALVE 4BAR	fino matr. TW901724324632
16	11005060	AS.PERNO CALDAIA.V2	PIN V2 FOR BOILER ASSY.	ENS ALIMENTATION GROUP	VENTILSTUTZEN KPLT.	AS.PERNO CALDAIA V2	da matr. TW901724324632
17	9121.044	ANTIVIBRANTE X MOTORE	ANTIVIBRATION FOR MOTOR	AMORTISSEUR MOTEUR	VIBRATIONSDAEMPFER	ANTIVIBRANTE X MOTORE	
18	148380200	RONDELLA.D=5.5.IN.TELA.BAKELIZZA	BAKELIZZATE WASHER D=5.5	RONDELLE D=5.5	SINTERBUCHSE	RONDELLA D=5.5 IN.TELA.BAKELIZZA	
19	9121.046	BOCC.SINTERIZ.MOTORE.MOTORID.BRO	BRONZE SINTERED BUSH FOR MOTOR R	AXE INTERNE CHAUDIERE P119	AUFNAHME VENTIL/FEDER	BOCC.SINTERIZ.MOTORE.MOTORID.BRO	da matr. TW901724324632
20	11003820	TAPPO PERNO CALDAIA.V2 P119.NER.	BLACK CAP V2 FOR PIN BOILER P119	RESSORT POUR EPINGLE	FEDER VENTILSTUTZEN	TAPPO PERNO CALDAIA V2 P119.NER.	da matr. TW901724324632
21	9011.132	MOLLA.PISTONCINO INOX	SS SPRING FOR PIN	L-F/BR.PISTON L=20.9 ASSY.	L-F/BR.PISTON L=20.9 ASSY.	MOLLA.PISTONCINO INOX	da matr. TW901724324632
22	421944028601	AS.PISTONCINO C/GOLA.L=20.9 OT/L	L-F/BR.PISTON L=20.9 ASSY.	ASSY.	L-F/BR.PISTON L=20.9 ASSY.	AS.PISTONCINO C/GOLA.L=20.9 OT/L	da matr. TW901724324632
23	11003801	PERNO CALD.V2 P119 PEEK NEU	NAT.PIN V2 FOR BOILER P119	TETINE DE CHAUDIERE P119	AUSLAUFSTUTZEN V2	PERNO CALD.V2 P119 PEEK NEU	da matr. TW901724324632
24	11005089	CURSORE CALD.V2 P119 PEEK NAT.	NATURAL CURSOR V2 FOR BOILER P11	CURSEUR DE CHAUDIERE P119	GLEITSTÜCK AUSLAUFSTUTZEN	CURSORE CALD.V2 P119 PEEK NAT.	da matr. TW901724324632
25	11005214	AS.MOTORE MOTORIDUTTORE	MOTOR FOR RATIO MOTOR ASSY	MOTEUR AVEC CONDENSATEUR	MOTOR GETRIEBE	AS.MOTORE MOTORIDUTTORE	
26	9161.132	RONDELLA.MOTORE.MOTORID.MYLAR	MYLAR WASHER FOR RATIO MOTOR	RONDELLE MOTOREDUCTEUR	UNTERLEGSCHIEBE PLASTIK	RONDELLA.MOTORE.MOTORID.MYLAR	
27	421946025541	MICROINT.XC/SM1.V2	MICROSWITCH XC/SM1.V2	MICROSWITCH XC/SM1.V2	MICROSWITCH XC/SM1.V2	MICROSWITCH XC/SM1.V2	
28	20000900	KIT RIC.INGRANAGGI MOTORID.V2	SPARES KIT GEARS FOR RATIO MOTOR	KIT ENGRENAGES MOTOREDUCTEUR V2	KIT ZAHNRÄDER GETRIEBE(1 MIKROSC	KIT RIC.INGRANAGGI MOTORID.V2	
29	421941287512	COP.PIAS.MONTAG.MOTORID.V2 SMR N	BLK RATIO MOTOR MOUNTING PLATE COVE	BLK BREW UNIT DRAWER COFFEE V2 S	BLK BREW UNIT DRAWER COFFEE V2 S	BLK BREW UNIT DRAWER COFFEE V2 S	
30	421944062701	CAS.REC.CAF.GRUP.V2 SMR.NER.	BLACK BREW UNIT DRAWER COFFEE V2 S	COP.SEDE PERNO CALD.SMR.NER.	BLACK BOILER SEAT PIN COVER SMR	COP.SEDE PERNO CALD.SMR.NER.	
31	17000730		BLACK BOILER SEAT PIN COVER SMR				



N.POSI	COD	I - DESCRIZIONE	UK - DESCRIPTION	F - DESCRIPTION	D - BEZEICHNUNG	E - DESCRIPCION
1	12000550	VITE TCB 3X25 PLAST,INOX	SCREW TCB TORX 10 3X25 PLAST,SS	VIS TCB TORX 3x25 Plast,SS	TORXSCHRAUBE 3X25	SCREW TCB TORX 10 3X25 PLAST,SS
2	421944065221	AS MANICOTUSCITA CAF GRUP,SMR N	BLK BREW UNIT COF OUTLET SLEEVE	PIPETTE DE SORTIE CAFE	BLK BREW UNIT COF OUTLET SLEEVE	BLK BREW UNIT COF OUTLET SLEEVE
3	11012095	MOLLA CONICA CONTRAPIST,GRUP,S00	SS COFFEE UNIT CONTRAPISTON SPR	RESSORT CONIQUE	Feder zu Kolben Brühgruppe	MOLLA CONICA CONTRAPIST,GRUP,S00
3	9161.222	MOLLA CONICA INOX	SS CONICAL SPRING	RESSORT CONIQUE	FEDER ZU CREMAVENTIL	MOLLA CONICA INOX
4	9161.00344451	SPERA D.5 MM IN BORO SILICATO	BOROSILICATE SPHERE D.5 MM	SPHERE D.5 MM	BOROSILICATE SPHERE D.5 MM	BOROSILICATE SPHERE D.5 MM
5	140328761	OR ORM 0060-15 TERMOIL	OR ORM 0060-15 TERMOIL	JOINT OR 0060-15	O- RING 0060-15	OR ORM 0060-15 TERMOIL
6	11009276	TUBO CONTRAPIST,GRUP,S0053 NER.	BLK COUNTER PISTON TUBE BREW UNI	TUBE CONTRE PISTON GROUPE S0053	SCHLAUCH KOLBEN BG	TUBO CONTRAPIST,GRUP,S0053 NER.
7	11001840	CONTRAPIST,GRUP,8GR,P124 NER.	BLACK COUNTER PISTON BREW UNIT 8	CONTRE PISTON 8GR	KOLBEN BRÜHGRUPPE OBEN	CONTRAPIST,GRUP,8GR,P124 NER.
8	11001044	OR ORM 0320-40 SILICONE PTFE/FDA	OR ORM 0320-40 SILICONE PTFE/FDA	JOINT OR 0320-40 SILICONE	O-RING ORM 0320-40	OR ORM 0320-40 SILICONE PTFE/FDA
9	9161.268	DOCCIA DE=35,8 ELFO	PERCOLATOR DE=35,8 ELFO	DOUCHETTE D=35,8	SIEB OBEN	DOCCIA DE=35,8 ELFO
10	421944046931	PIAS,AGGANCA,V2 GRUP,SMART GIA.	YLW BREW UNIT COUPLING PLATE V2	PLAQUETTE DE BLOCAGE GROUPE	YLW BREW UNIT COUPLING PLATE V2	YLW BREW UNIT COUPLING PLATE V2
11	9161.064.050	MANICOT,ENTRATA ACQ,GRUP,ROYAL N	BLACK WATER INLET SLEEVE BREW UN	PIPETTE ENTREE D'EAU	WASSEREINLAUFSTUTZEN BG	MANICOT,ENTRATA ACQ,GRUP,ROYAL N
12	11002.007	OR, 2025 TERMOIL	OR 2025 IN TERMOIL	JOINT 2025 TERMOIL	O-RING 2025 EPDM	OR 2025 TERMOIL
13	9161.375.050	PIAS,POS,GRUP,SMART NER.	BLACK BREW UNIT REAR PLATE SMART	PLAQUE POSTERIEURE GROUPE	SEITENWAND BG SX	PIAS,POS,GRUP,SMART NER.
14	17000737	SCIVOLO CONVOGL,GRUP,L=66,3 NER.	BLACK BREW UNIT CONVEYOR SLIDE L	CONVOYEUR NOIR L=66,3	SATZRUTSCHE	BLACK BREW UNIT CONVEYOR SLIDE L
15	421944065791	AS,PIST,INTEGR,GRUP,8GR,V3 GR.	GRY BREW UNIT INTEGR,PISTON 8GR.	GRY BREW UNIT INTEGR,PISTON 8GR.	GRY BREW UNIT INTEGR,PISTON 8GR.	GRY BREW UNIT INTEGR,PISTON 8GR.
16	9161.198	MOLLA PIST,GRUP,8GR,INOX	SS 8GR,BREW UNIT PISTON SPRING	RESSORT DU PISTON	FEDER ZU KOLBEN	MOLLA PIST,GRUP,8GR,INOX
17	9161.191	BOC,PIST,GRUP,8GR,-12GR,BIA.	WHITE 8GR,-12GR,BREW UNIT PISTON	RONDELLE DE BLOCAGE DU PISTON	ARRETIERHÜLSE	BOC,PIST,GRUP,8GR,-12GR,BIA.
18	12000895	VITE TSP 3X10 PLAST,INOX	SCREW TSP TORX 10 3X10 PLAST,SS	VIS TSP 3X10 PLAST,INOX	TORXSCHRAUBE 3X10	SCREW TSP TORX 10 3X10 PLAST,SS
19	11001556	MOLLA,RASAT,H=49 GRUP,CAF,SMART	SS BREW UNIT SPRING H=49 SMART	RESSORT RACLEUR	EINRASTFEDER H=49 BG	MOLLA,RASAT,H=49 GRUP,CAF,SMART
20	421944014611	AS,CONT,CAF,C/BOC,SALD,GRUP,V2 M	BLK COF,CONTAIN,BREW UNIT V2 M50	CHAMBRE GROUPE CAFE NOIR V2 M500	BLK COF,CONTAIN,BREW UNIT V2 M50	BLK COF,CONTAIN,BREW UNIT V2 M50
21	129912521	VITE TCBR 3,5X14 PLAST,INOX	SCREW TCBR TORX 10 3,5X14 PLAST.	VIS TCBR TORX 10 3,5X14 PLAST,SS	SCHRAUBE 3,4X14	VITE TCBR 3,5X14 PLAST,INOX
22	11003078	BIELLA,GRUP,8GR,NER.	BLACK CONNECTING ROD BREW UNIT 8	BIELLE NOIRE	PLEUEL	BIELLA,GRUP,8GR,NER.
23	9161.094.050	BLOC,FORATO GRUP,PANNER.	BLACK BREW UNIT DRILLED BLOCK	ENTRETOISE NOIRE	Gleitsück Brühgruppe schwarz	BLOC,FORATO GRUP,PANNER.
24	421944051231	ALBERO A GOMITO GRUP,M5000 GIA.	YLW BREW UNIT ELBOW SHAFT M5000	ARBRE DE GROUPE	YLW BREW UNIT ELBOW SHAFT M5000	YLW BREW UNIT ELBOW SHAFT M5000
25	11005920	PIAS,ANT,GRUP,S/F,SMART NER,SER.	BLACK BREW UNIT FRONT PLATE S/SC	PLAQUE AVANT NOIRE	SEITENWAND BG DX	PIAS,ANT,GRUP,S/F,SMART NER,SER.
26	421944050711	PIAS,FISS,TRAMOG,GRUP,SMART GIA.	YLW BREW UNIT HOPPER BLOCKING PLA	PLAQUE SUPERIEUR DE BLOCAGE	YLW BREW UNIT HOPPER BLOCKING PLA	YLW BREW UNIT HOPPER BLOCKING PLA
27	9161.378	MOLLA,TRAMOG,GRUP,SMART INOX	SS HOPPER SPRING FOR BREW UNIT S	RESSORT	FEDER ZU TRICHTER	MOLLA,TRAMOG,GRUP,SMART INOX
28	149261350	TRAMOG,GRUP,SMART I NER.	BLACK HOPPER DOSER BREW UNIT S	TREMIE GROUPE CAFE 2 DOSES	TRICHTER	TRAMOG,GRUP,SMART I NER.
29	9161.046	MOLLA,RASATORE GRUP,INOX	SS SCRAPER SPRING FOR BREW UNIT	RESSORT D'ARRASAGE	DRUCKFEDER	MOLLA,RASATORE GRUP,INOX
30	11004161	RASATORE GRUP,M5000 NER.	BLACK SCRAPER FOR BREW UNIT M500	RACLEUR GROUPE	ABSSTREIFER	RASATORE GRUP,M5000 NER.
31	12000897	VITE TCB TORX 3,5X20 PLAST,INOX	SCREW TCB TORX 10 3,5X20 PLAST,S	VIS TCB TORX 10 3,5X20 Plast,SS	TORXSCHRAUBE 3,5X 20	SCREW TCB TORX 10 3,5X20 PLAST S
32	421944065811	AS,GEN,PIST,INTEGR,GRUP,CAF,8GR.	GRY BREW UNIT 8GR,INT,PISTON GEN	GRY BREW UNIT 8GR,INT,PISTON GEN	GRY BREW UNIT 8GR,INT,PISTON GEN	GRY BREW UNIT 8GR,INT,PISTON GEN
33	421944052401	GRUP,CAF,8GR,5BAR SMR NER/GIA	BLK/YLW BREW UNIT 8GR,5BAR SMR	GROUPE CAFE 8G,5BAR SMR	BLK BREW UNIT 8GR,5BAR SMR	BLK BREW UNIT 8GR,5BAR SMR
33	421944052461	GRUPPO CAFFE '8GR, 8BAR V3	BLK/YLW BREW UNIT 8GR,8BAR V3 SM	GROUPE CAFE SMR 8GR,8BAR V3 SMR	BLK BREW UNIT 8GR,8BAR V3 SMR	GRUPPO CAFFE '8GR, 8BAR V3







Il Costruttore si riserva il diritto di modificare, senza preavviso, le caratteristiche delle apparecchiature presentate in questa pubblicazione; declina inoltre ogni responsabilità per le eventuali inesattezze imputabili ad errori di stampa e/o trascrizione contenute nella stessa.

Le istruzioni, i disegni, le tabelle e le informazioni in genere contenute nel presente fascicolo sono di natura riservata e non possono essere riprodotte ne completamente ne parzialmente od essere comunicate a terzi senza l'autorizzazione scritta del Costruttore che ne ha la proprietà esclusiva.

The manufacturer reserves the right to modify, without prior notice, the characteristics of the equipment described in this publication; and further declines to accept any responsibility for any inaccuracies contained in this publication which can be ascribed to printing and/or transcription errors.

All instructions, drawings, tables and information contained in this publication are confidential and can neither be reproduced, completely or in part, nor be transmitted to third parties without the written permit of the Manufacturer, who has the sole ownership.

Le fabricant se réserve le droit de modifier, sans préavis, les caractéristiques des appareils présentes dans cette publication; en outre, elle decline toute responsabilité pour d'éventuelles inexactitudes imputables à des erreurs d'impression et/ou de transcription.

Tous droits de reproduction, complète ou partielle, des instructions, des dessins, des tableaux et de toutes les informations contenues dans cette publication sont réservés. Aucune communication à un tiers ne peut être faite sans une autorisation par écrit du Constructeur qui en a la propriété exclusive.

Der Hersteller behält sich das Recht vor, die Eigenschaften der hier beschriebenen Geräte ohne Voranzeige zu ändern und lehnt gleichzeitig jede Verantwortung für mögliche Unrichtigkeiten ab, die auf Druckfehler oder Abschreibfehler zurückzuführen sind.

Alle Anweisungen, Zeichnungen, Tabellen und Informationen, die im allgemeinen im vorliegenden Band enthalten sind, müssen als vertraulich betrachtet werden und können weder teilweise noch vollständig reproduziert bzw an Dritte ohne die schriftliche Ermächtigung des Herstellers weitergegeben werden, der das Alleineigentum besitzt.

El Constructorse reserva el derecho de modificar, sin previo aviso, las características de los aparatos presentados en esta publicación; además declina toda responsabilidad por los eventuales inexactitudes imputables a errores de imprenta y/o transcripción contenidos en la misma.

Las introducciones, los dibujos, las tablas y las informaciones en general contenidos en este fascículo son de tipo reservado y no se pueden reproducir, completamente o en parte, ni comunicar a terceros si la autorización escrita del Fabricante, el cual tiene la propiedad exclusiva.

