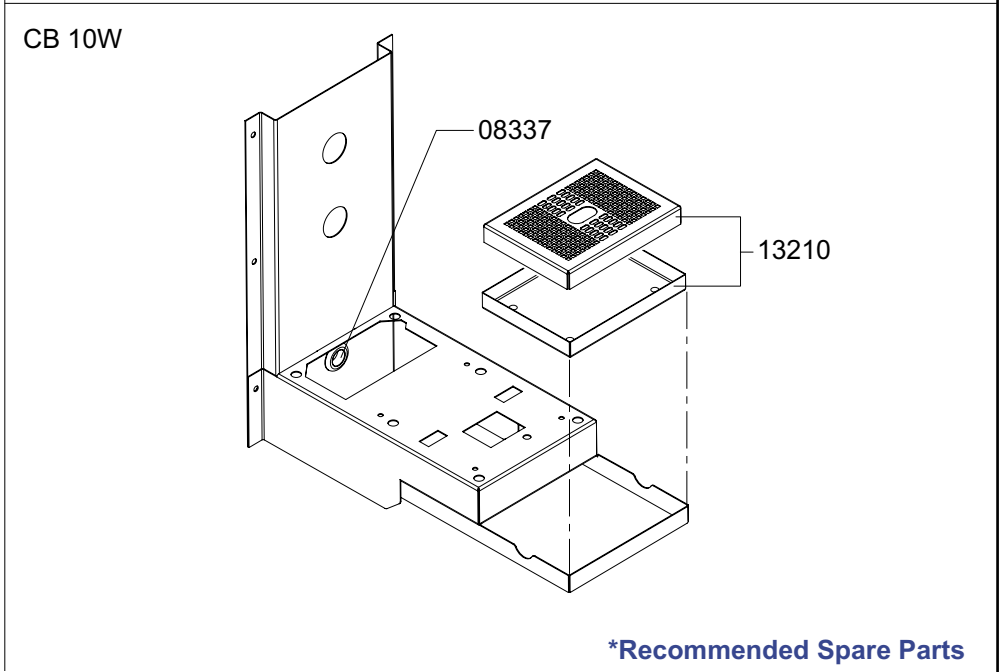
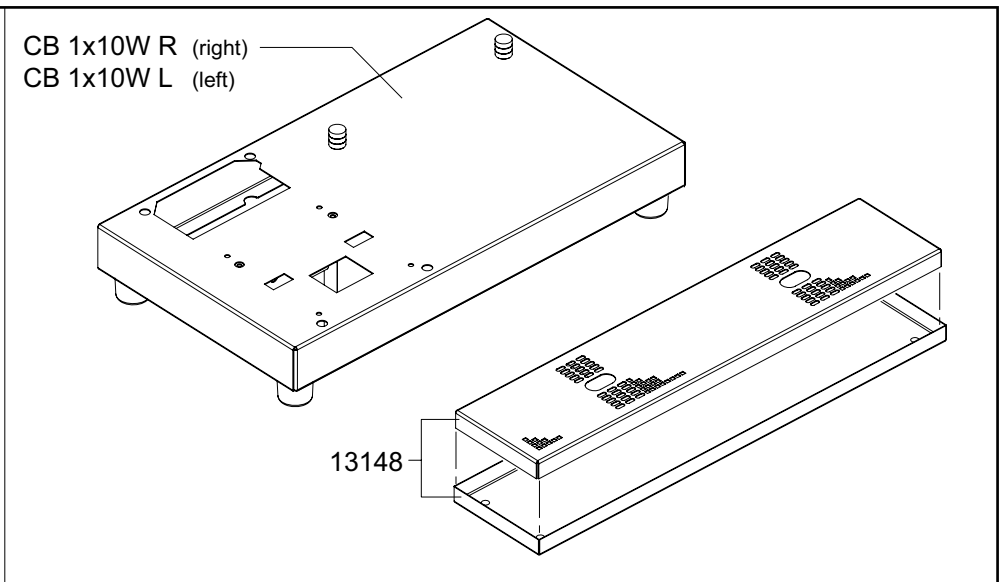
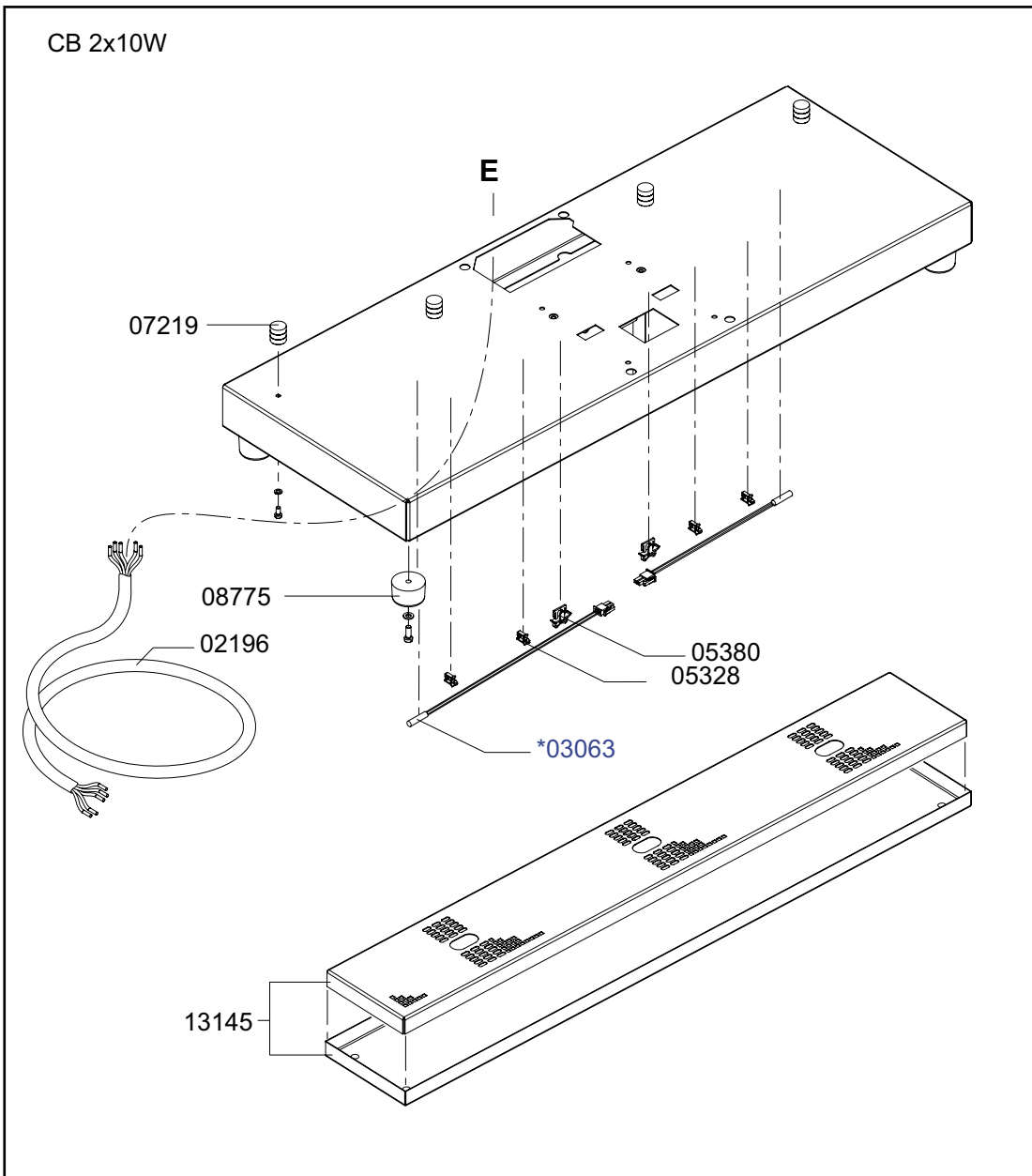
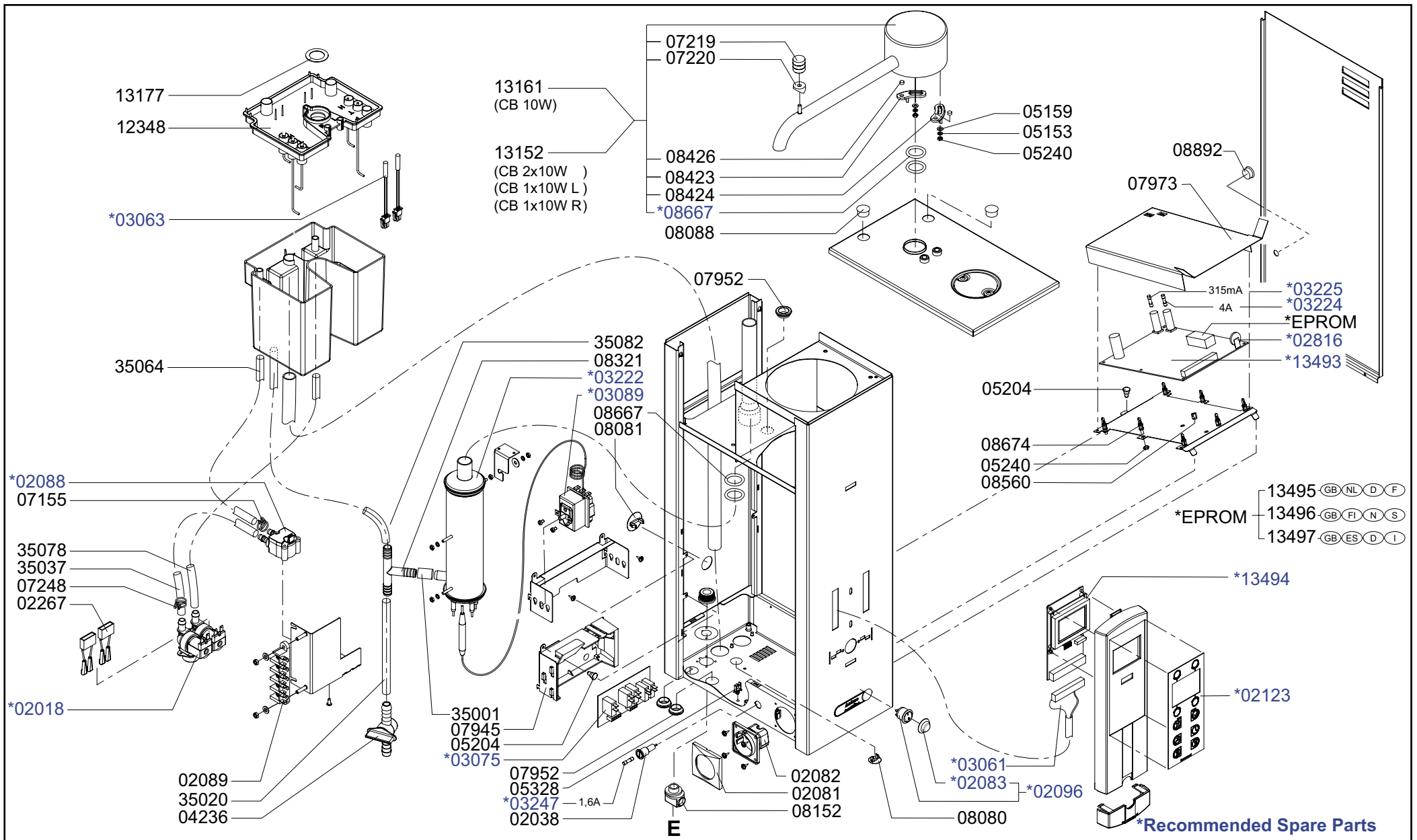


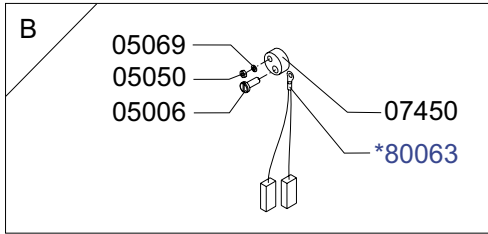
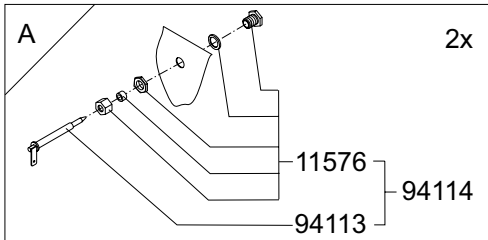
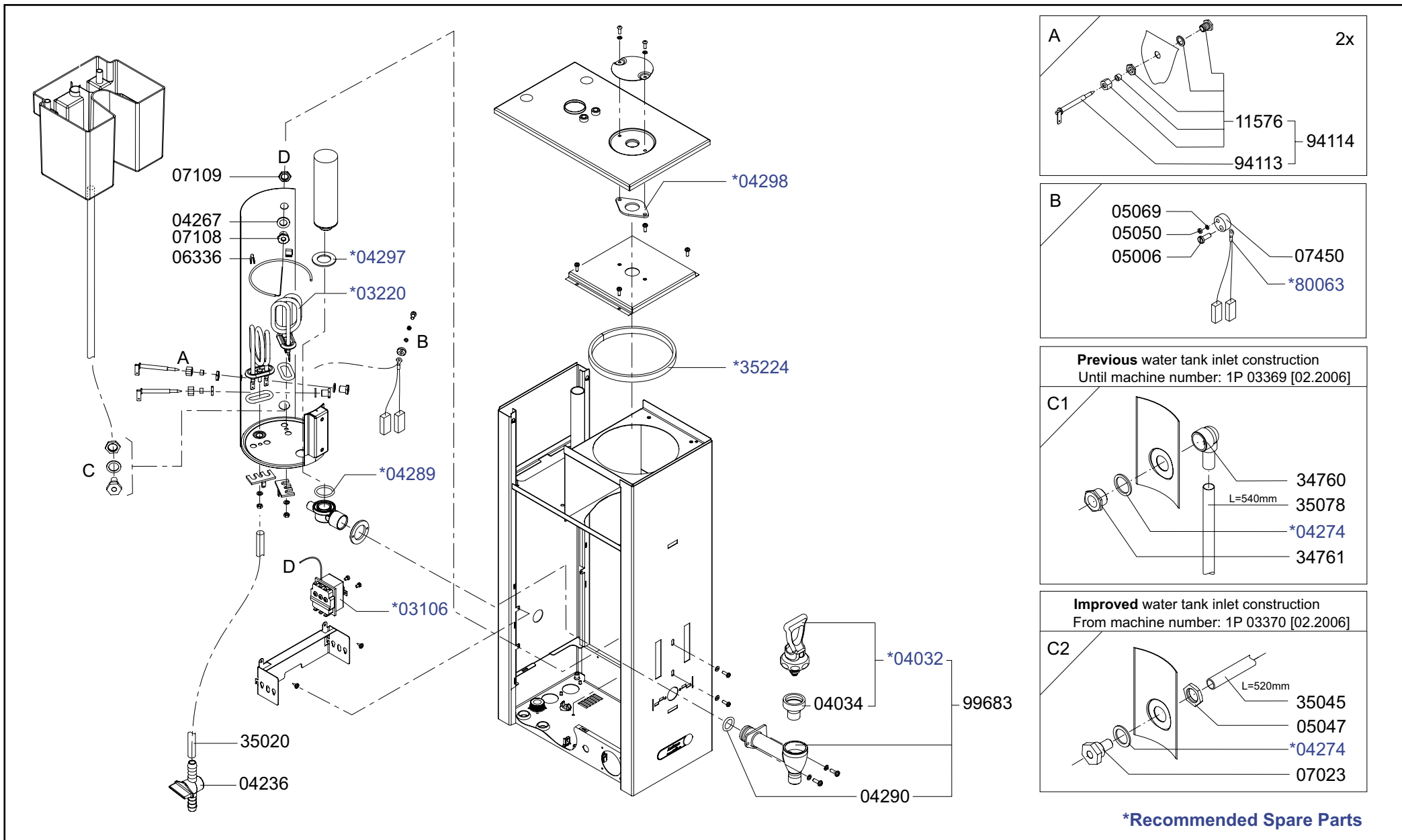
Type : CB 2x10W, CB 1x10W L/R, CB 10W	From mach.nr. : 4M23917	Page : 1-4	Drawer : A.V.
Artikel : 10655, 10660/10665, 10675	Date : 10/03	Rev. : 1	Date : 05-04-06
Rated voltage : 3N~ 380-415V 50-60Hz 8400W	Spare Parts Info	***** Animo ***** Assen - Holland	



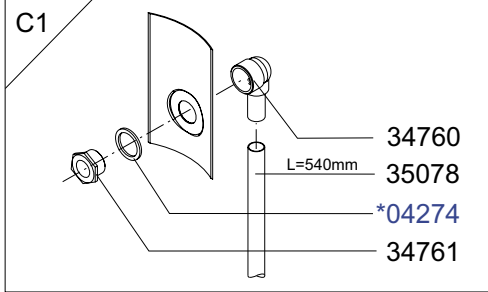
Type : CB 2x10W, CB 1x10W L/R, CB 10W	From mach.nr. : 4M23917	Page : 2-4	Drawer : A.V.
Artikel : 10655, 10660/10665, 10675	Date : 10/03	Rev. : 1	Date : 05-04-06
Rated voltage : 3N~ 380-415V 50-60Hz 8400W	Spare Parts Info	***** Animo ***** Assen - Holland	



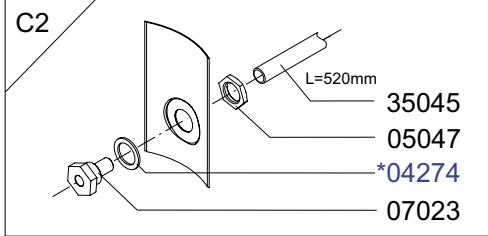
Type : CB 2x10W, CB 1x10W L/R, CB 10W	From mach.nr. : 4M23917	Page : 3-4	Drawer : A.V.
Artikel : 10655, 10660/10665, 10675	Date : 10/03	Rev. : 1	Date : 05-04-06
Rated voltage : 3N~ 380-415V 50-60Hz 8400W	Spare Parts Info	***** Animo ***** Assen - Holland	



Previous water tank inlet construction
Until machine number: 1P 03369 [02.2006]



Improved water tank inlet construction
From machine number: 1P 03370 [02.2006]



***Recommended Spare Parts**

Type : CB 2x10W, CB 1x10W L/R, CB 10W	From mach.nr. : 4M23917	Page : 4-4	Drawer : A.V.
Artikel : 10655, 10660/10665, 10675	Date : 10/03	Rev. : 1	Date : 05-04-06
Rated voltage : 3N~ 380-415V 50-60Hz 8400W	Spare Parts Info	***** Animo ***** Assen - Holland	